



US00D342511S

United States Patent [19]

[11] Patent Number: **Des. 342,511**

Tsubaki et al.

[45] Date of Patent: **** Dec. 21, 1993**

[54] **COMBINED TELEVISION RECEIVER AND VIDEO TAPE RECORDER**

[75] Inventors: **Hiroyuki Tsubaki; Kazuhiko Shibata**, both of Osaka; **Joseph J. Nukazawa**, Tokyo; **Yukiharu Nakamura**, Saitama, all of Japan

[73] Assignee: **Matsushita Electric Industrial Co., Ltd.**, Osaka, Japan

[**] Term: **14 Years**

[21] Appl. No.: **912,613**

[22] Filed: **Jul. 13, 1992**

[30] **Foreign Application Priority Data**

Jan. 30, 1992 [JP] Japan 4-2454

[52] U.S. Cl. **D14/129**

[58] Field of Search D14/124-134, D14/299; 358/60, 237-239, 254-255; 312/7.2

[56] **References Cited**

U.S. PATENT DOCUMENTS

- D. 306,856 3/1990 Shimose et al. D14/129
- D. 310,363 9/1990 Shim D14/129

- D. 310,522 9/1990 Yang D14/129
- D. 324,517 3/1992 Barbieri D14/129
- D. 336,291 6/1993 Shimose D14/129
- D. 336,292 6/1993 Asanuma et al. D14/129

OTHER PUBLICATIONS

Danmark Catalog, Dated Jan. 1991, p. 28, Bottom left—Samsung color TV/VCR combo.

Primary Examiner—Theodore M. Shooman
Attorney, Agent, or Firm—Sughrue, Mion, Zinn, Macpeak & Seas

[57] **CLAIM**

The ornamental design for a combined television receiver and video tape recorder, as shown.

DESCRIPTION

FIG. 1 is a front, top and right side perspective view of a combined television receiver and video tape recorder showing our new design;

FIG. 2 is a front elevational view thereof;

FIG. 3 is a right side elevational view thereof;

FIG. 4 is a left side elevational view thereof;

FIG. 5 is a top plan view thereof;

FIG. 6 is a bottom plan view thereof; and,

FIG. 7 is a rear elevational view thereof.

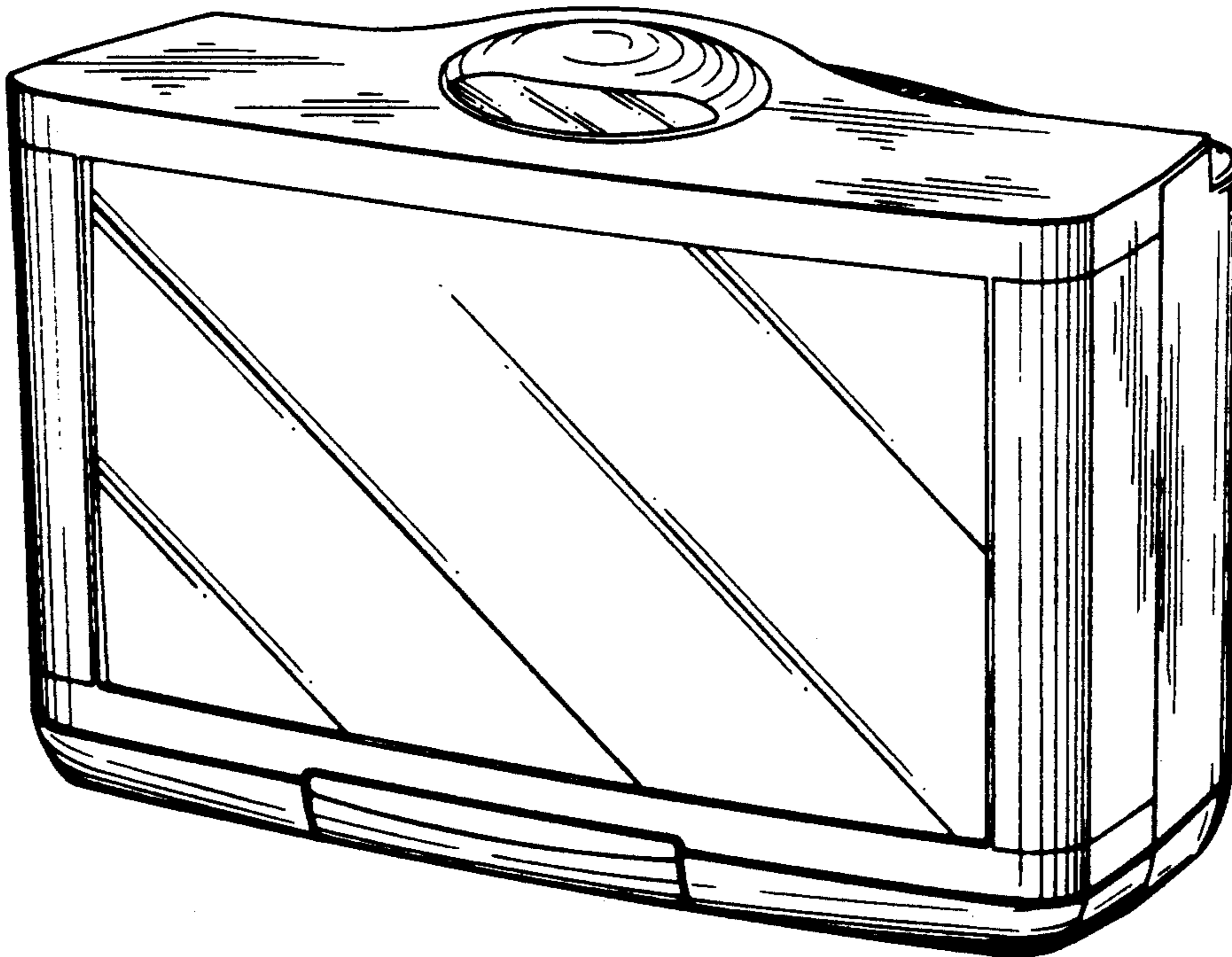


FIG. 1

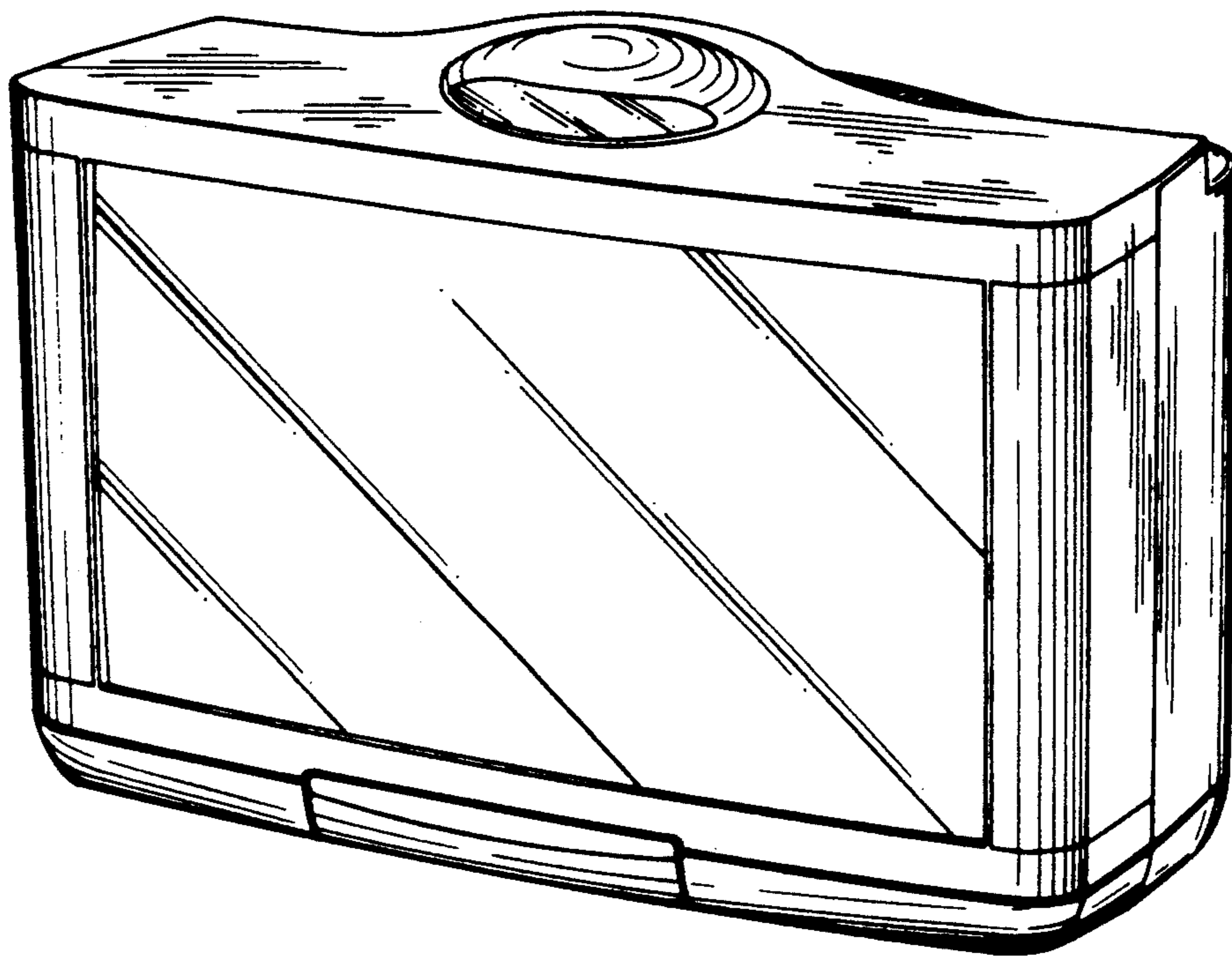


FIG. 2

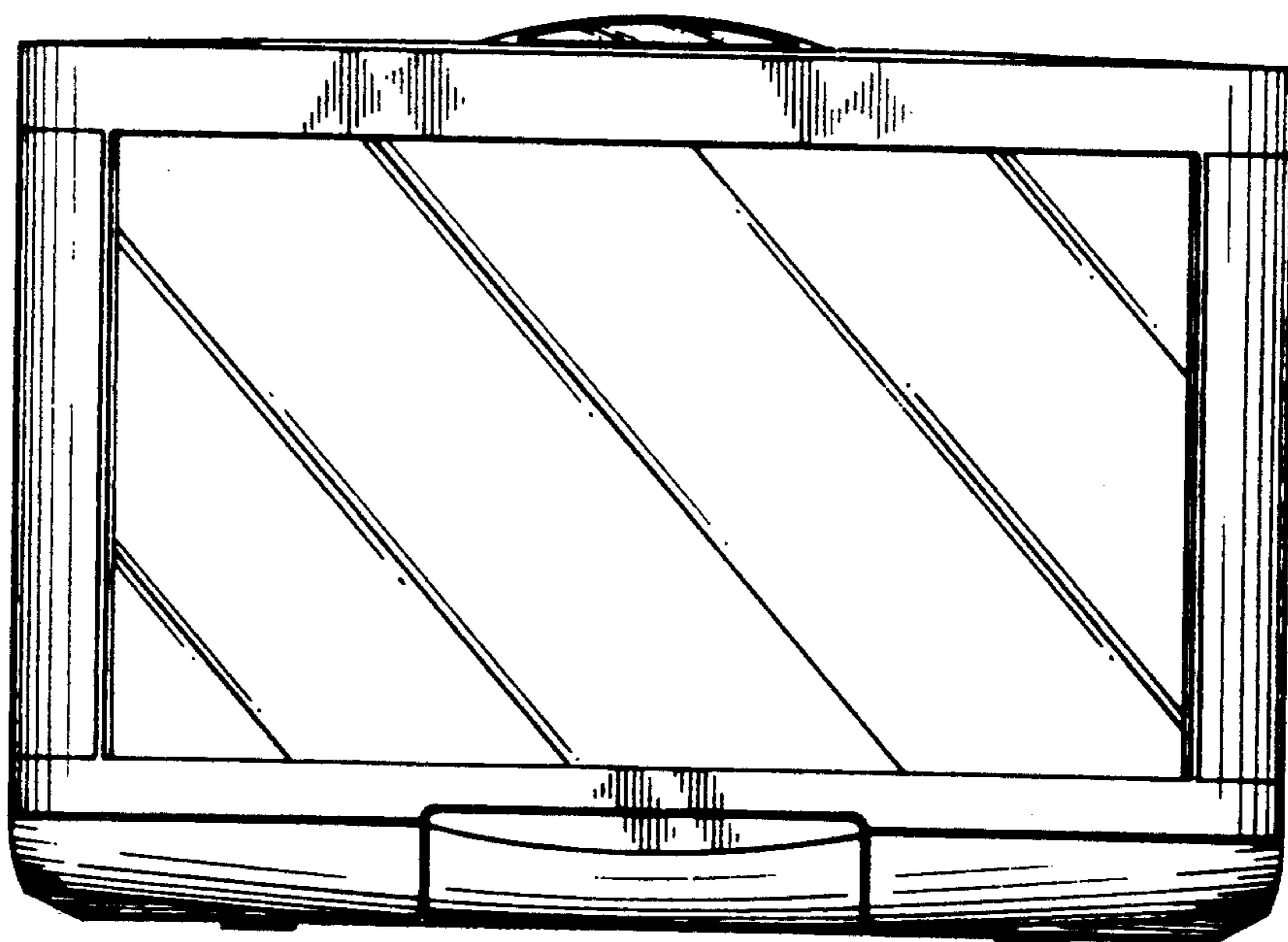


FIG. 3

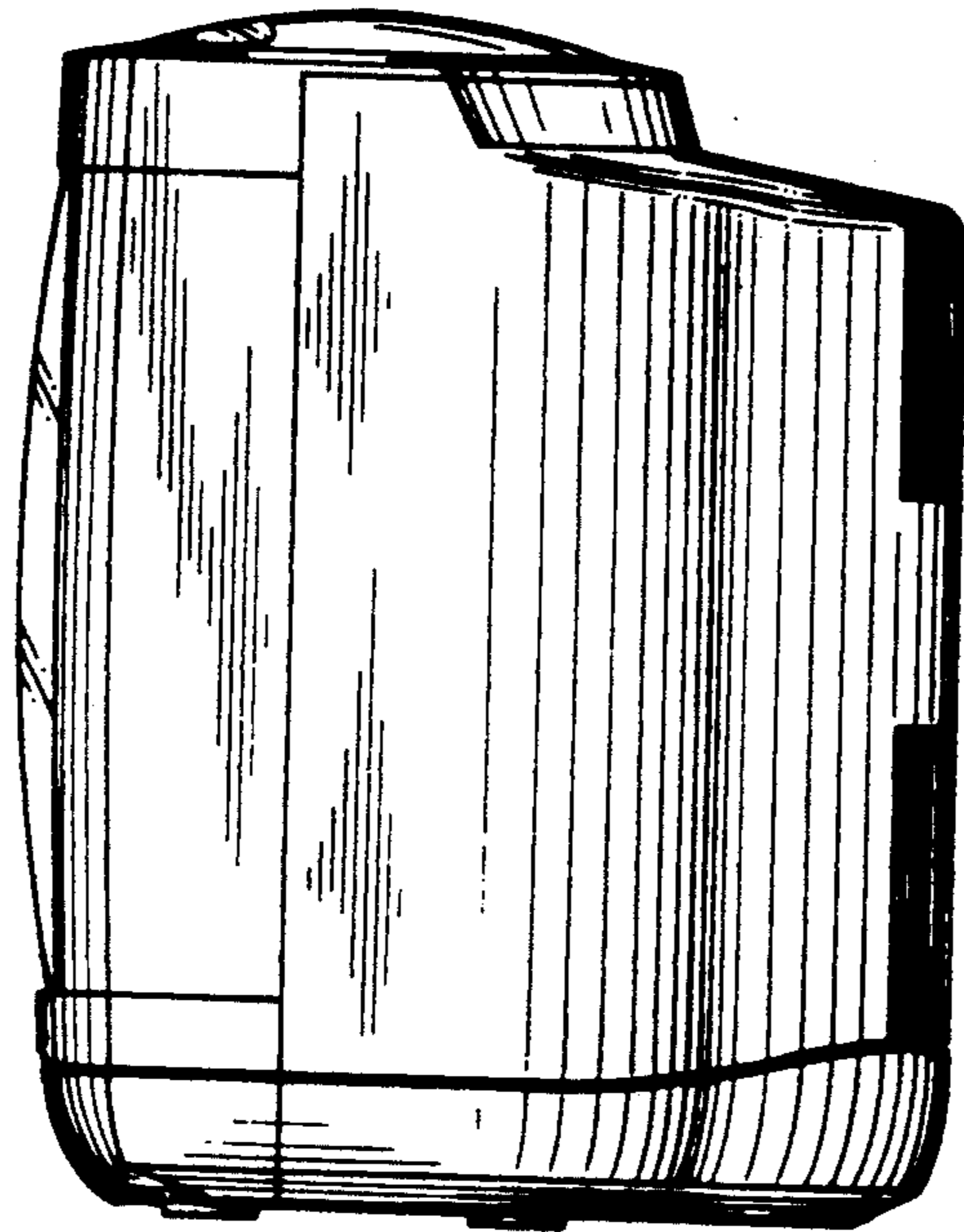


FIG. 4

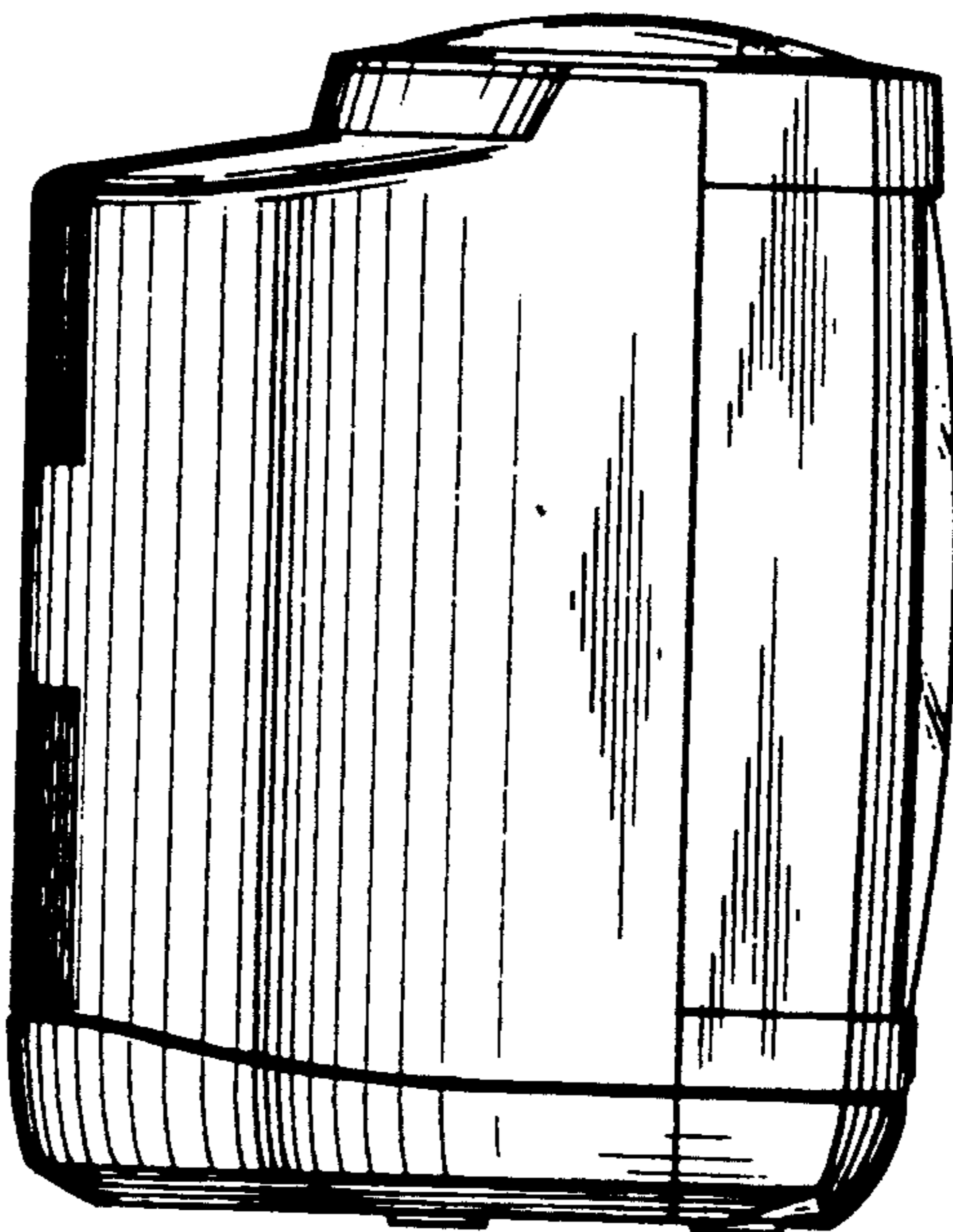


FIG. 5

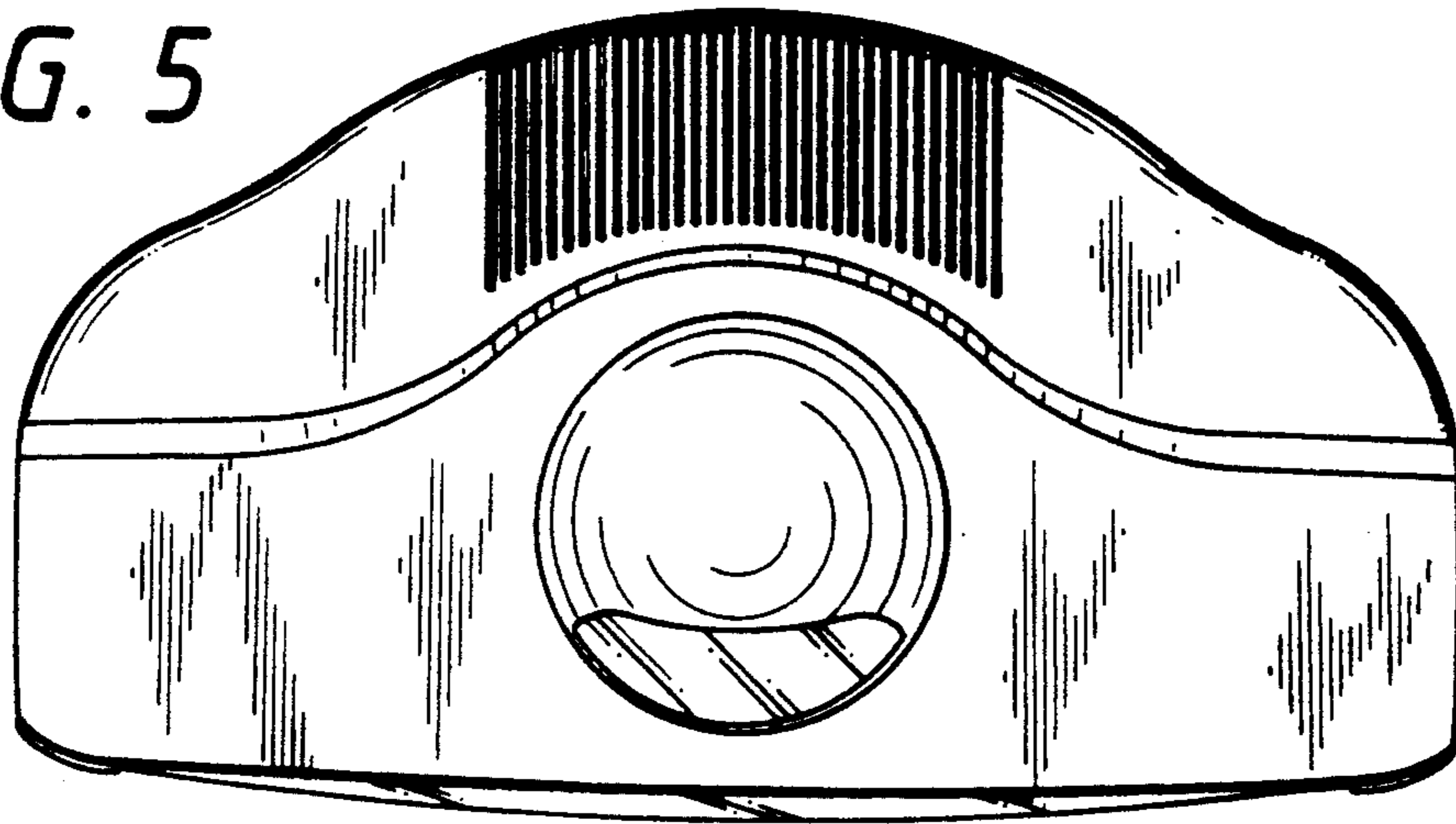


FIG. 6

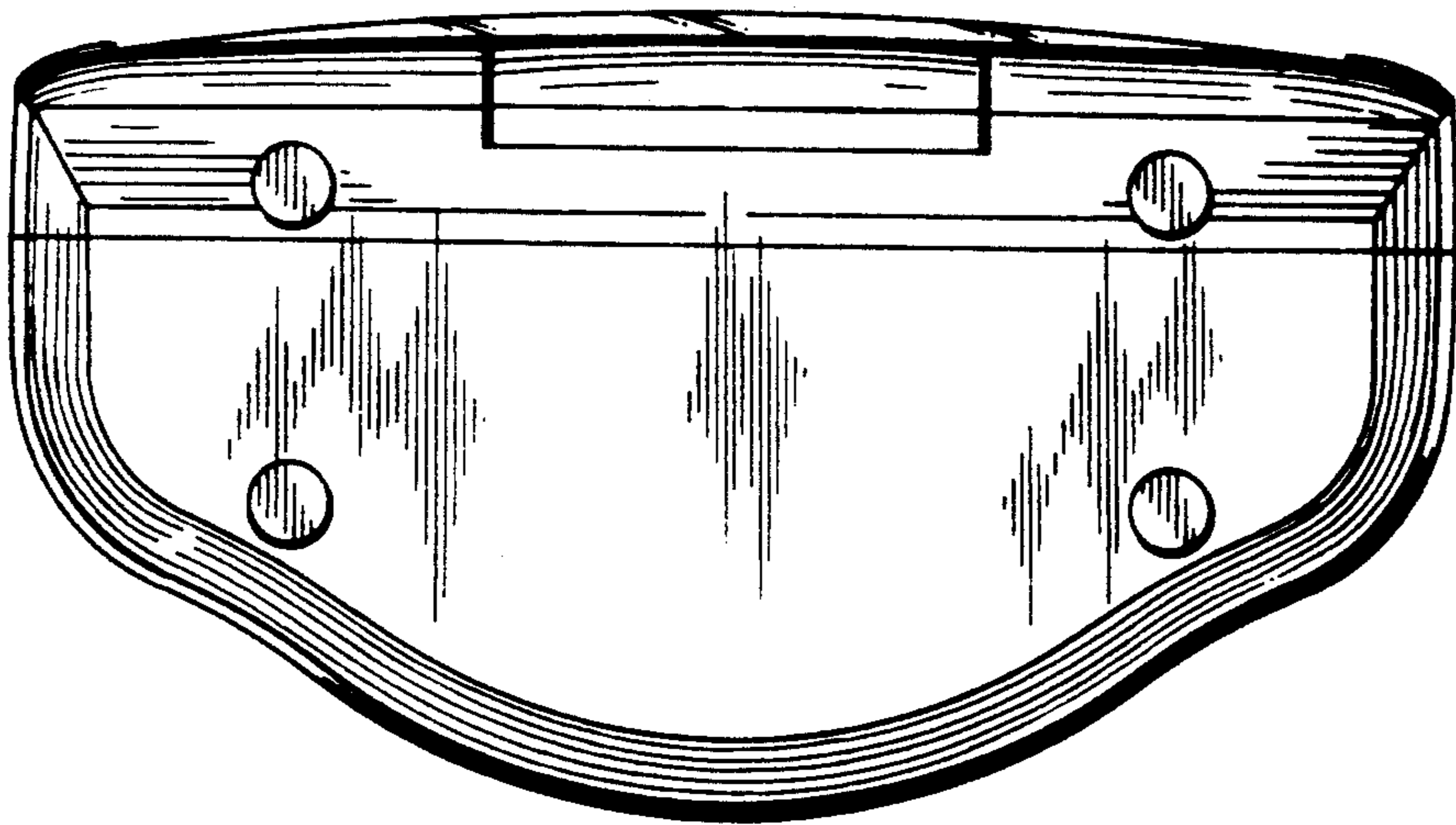


FIG. 7

