



US00D342506S

United States Patent [19]

[11] Patent Number: Des. 342,506

Sugihara et al.

[45] Date of Patent: ** Dec. 21, 1993

[54] PROJECTION-TYPE TELEVISION RECEIVER

D. 323,825 2/1992 Yasuno et al. D14/126
D. 327,478 6/1992 Nara D14/126

[75] Inventors: Osamu Sugihara; Hiroyuki Tsubaki; Kunishige Miki, all of Osaka, Japan

[73] Assignee: Matsushita Electric Industrial Co., Ltd., Osaka, Japan

[**] Term: 14 Years

[21] Appl. No.: 933,513

[22] Filed: Aug. 24, 1992

[30] Foreign Application Priority Data

Feb. 25, 1992 [JP] Japan 4-5111
[52] U.S. Cl. D14/128
[58] Field of Search D14/124-134, D14/299; 358/60, 237-239, 254-255; 312/7.2

[56] References Cited

U.S. PATENT DOCUMENTS

D. 164,666 10/1951 Barofsky D14/133
D. 281,976 12/1985 Menei D14/126

OTHER PUBLICATIONS

Domus 666, Nov. 1985, p. 50, Center.

Primary Examiner—Theodore M. Shooman
Attorney, Agent, or Firm—Sughrue, Mion, Zinn, Macpeak & Seas

[57] CLAIM

The ornamental design for a projection-type television receiver, as shown and described.

DESCRIPTION

FIG. 1 is a front, top and right side perspective view of a projection-type television receiver showing our new design;
FIG. 2 is a front elevational view thereof;
FIG. 3 is a right side elevational view thereof, the opposite side being a mirror image thereof;
FIG. 4 is a rear elevational view thereof;
FIG. 5 is a top plan view thereof; and,
FIG. 6 is a bottom plan view thereof.

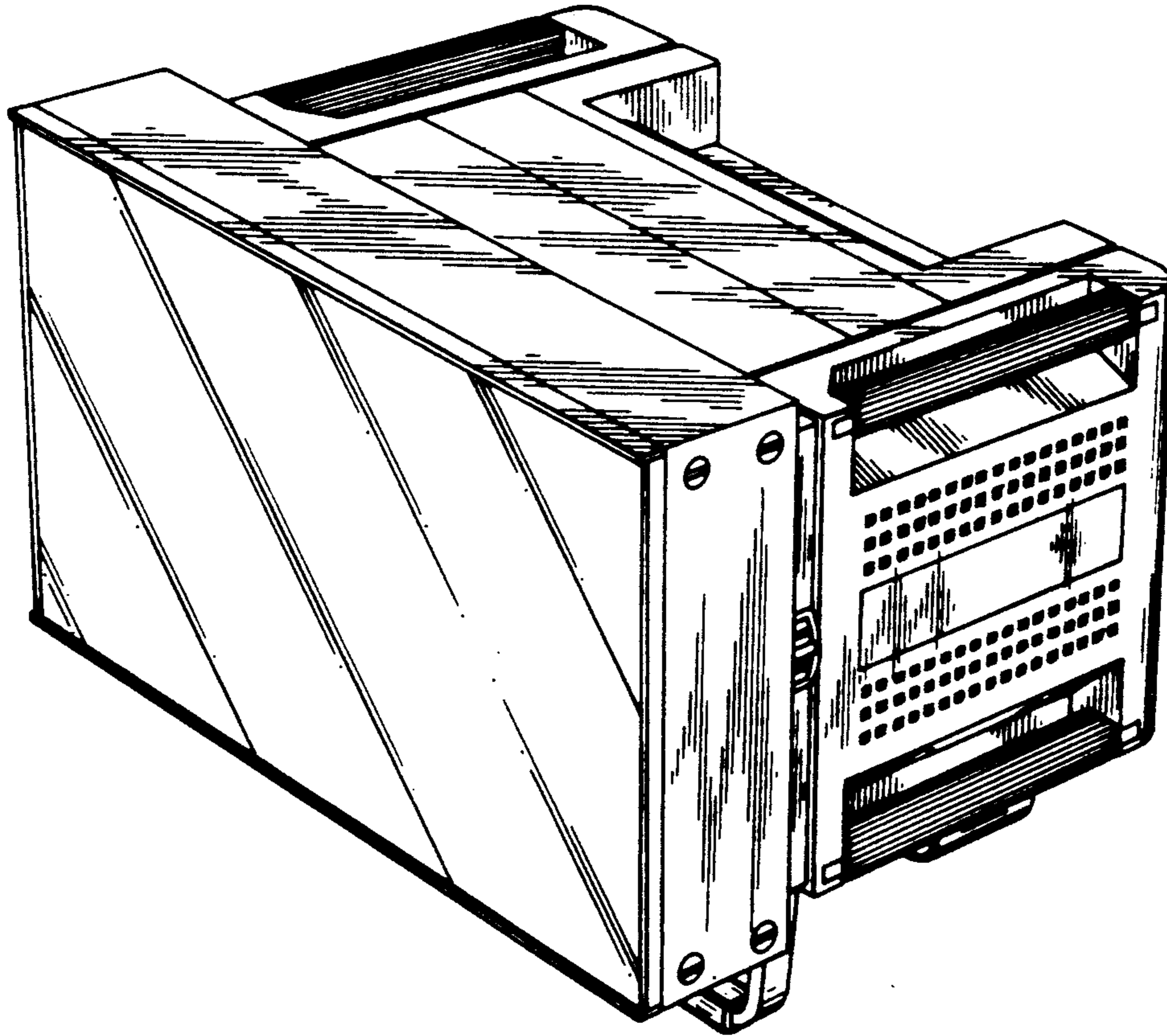


FIG. 1

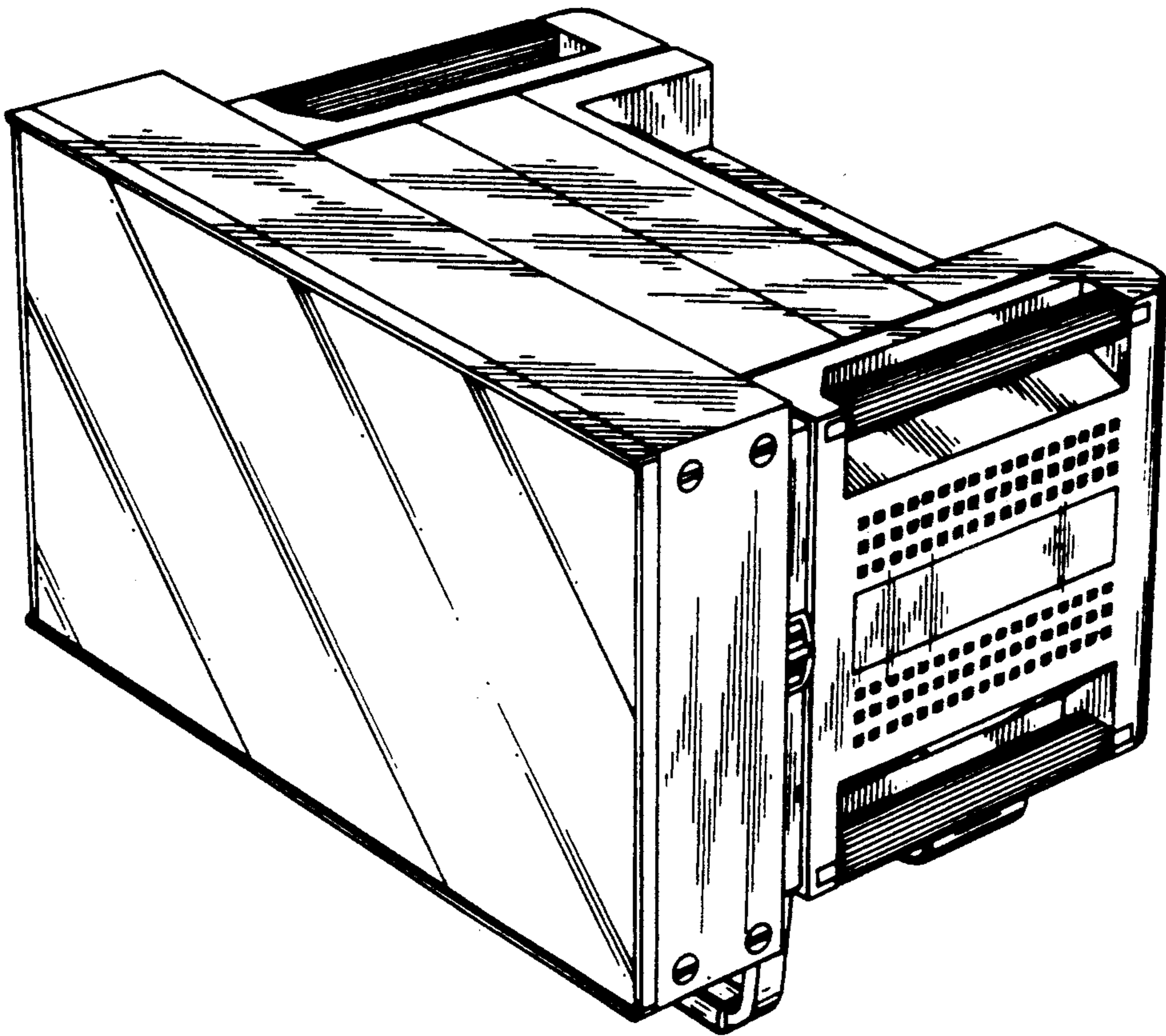


FIG. 2

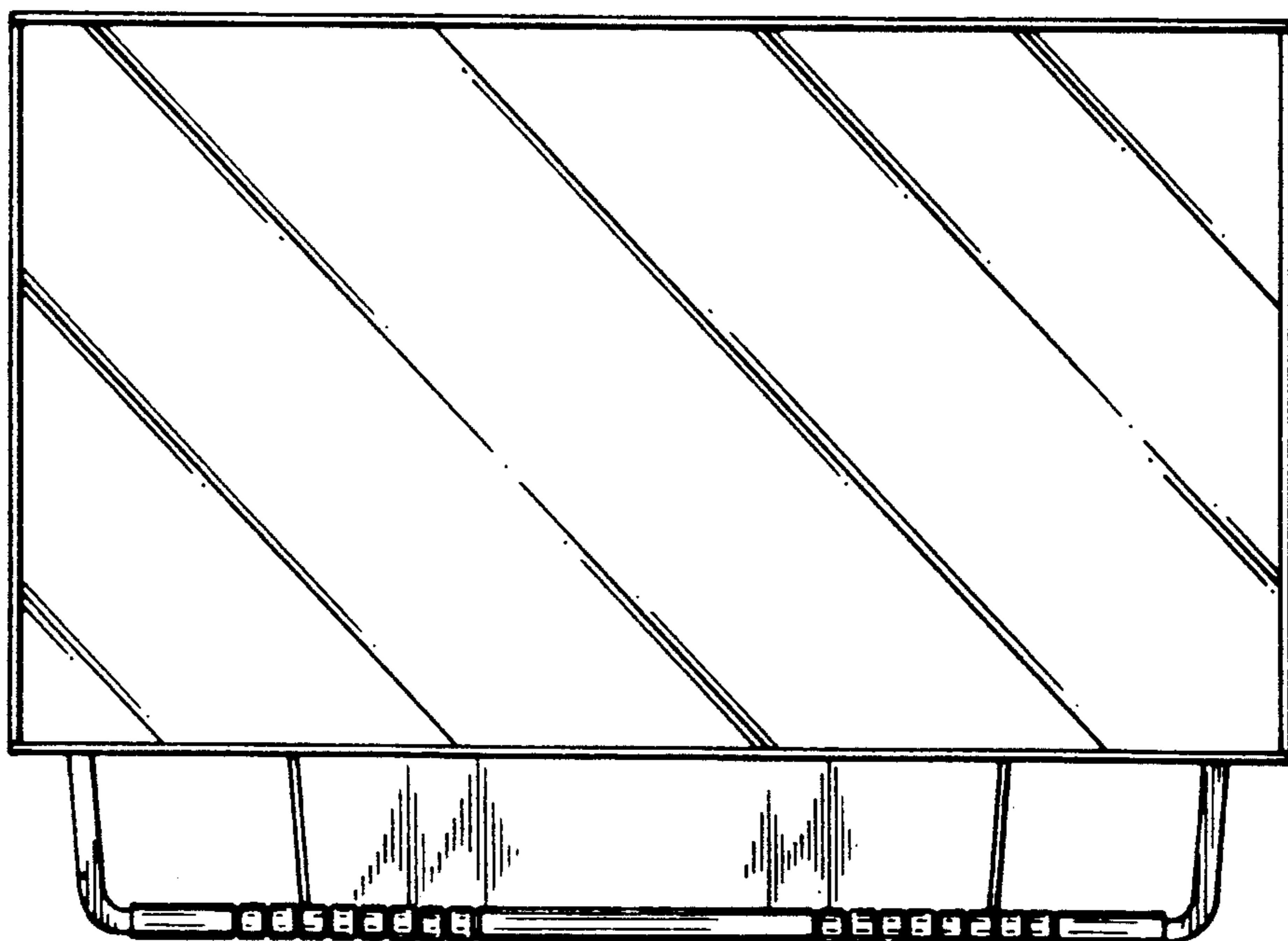


FIG. 3

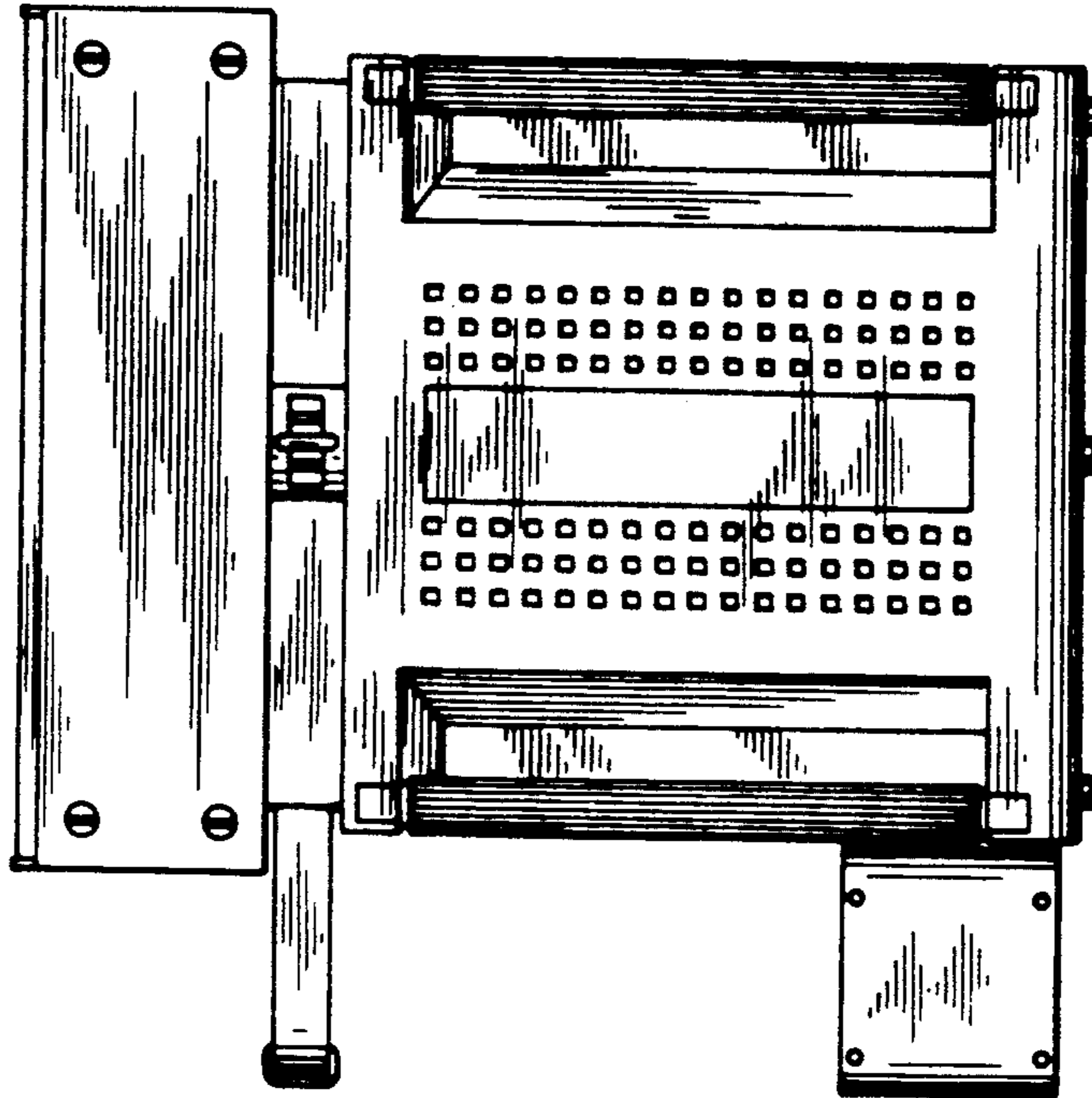


FIG. 4

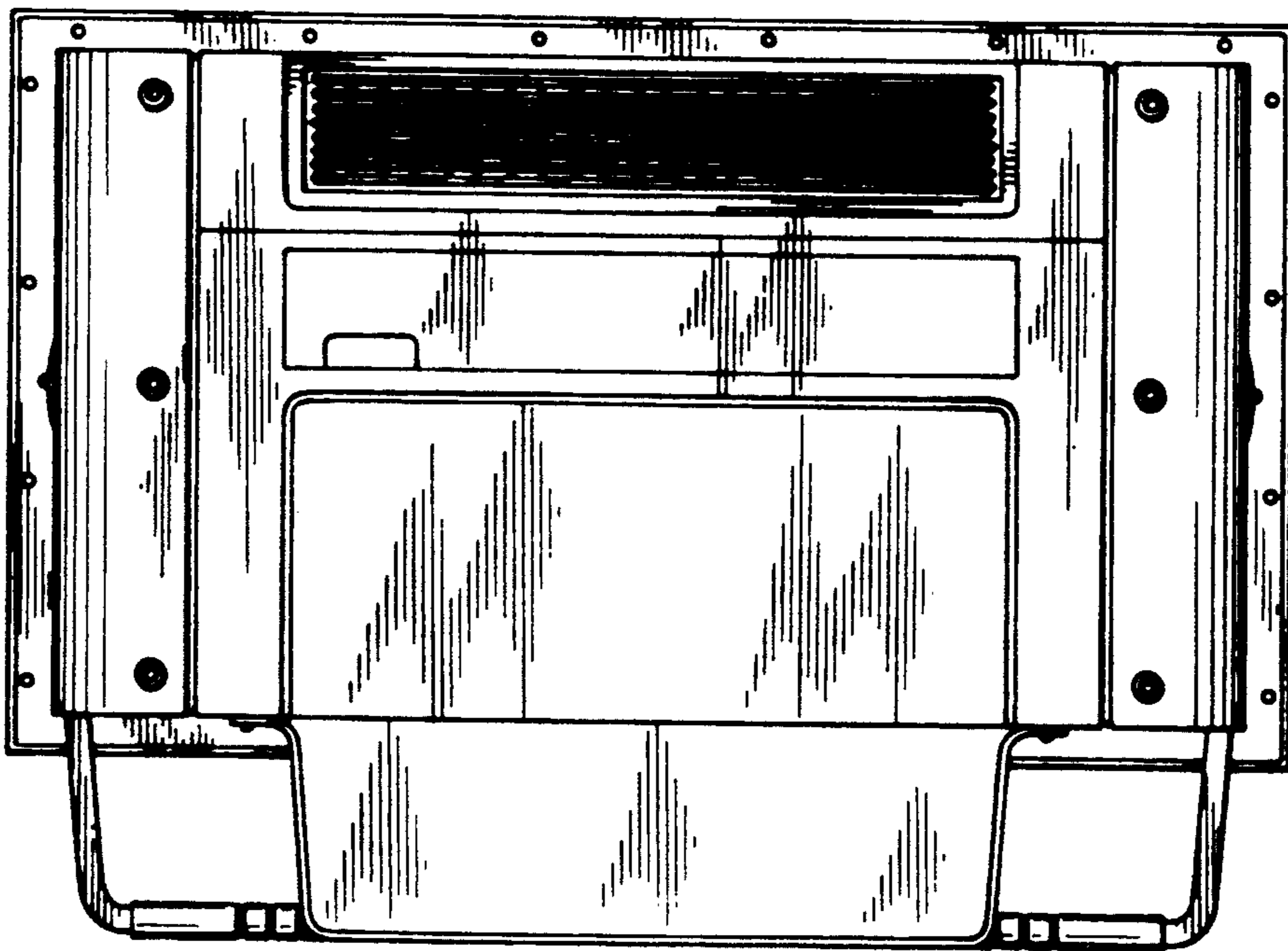


FIG. 5

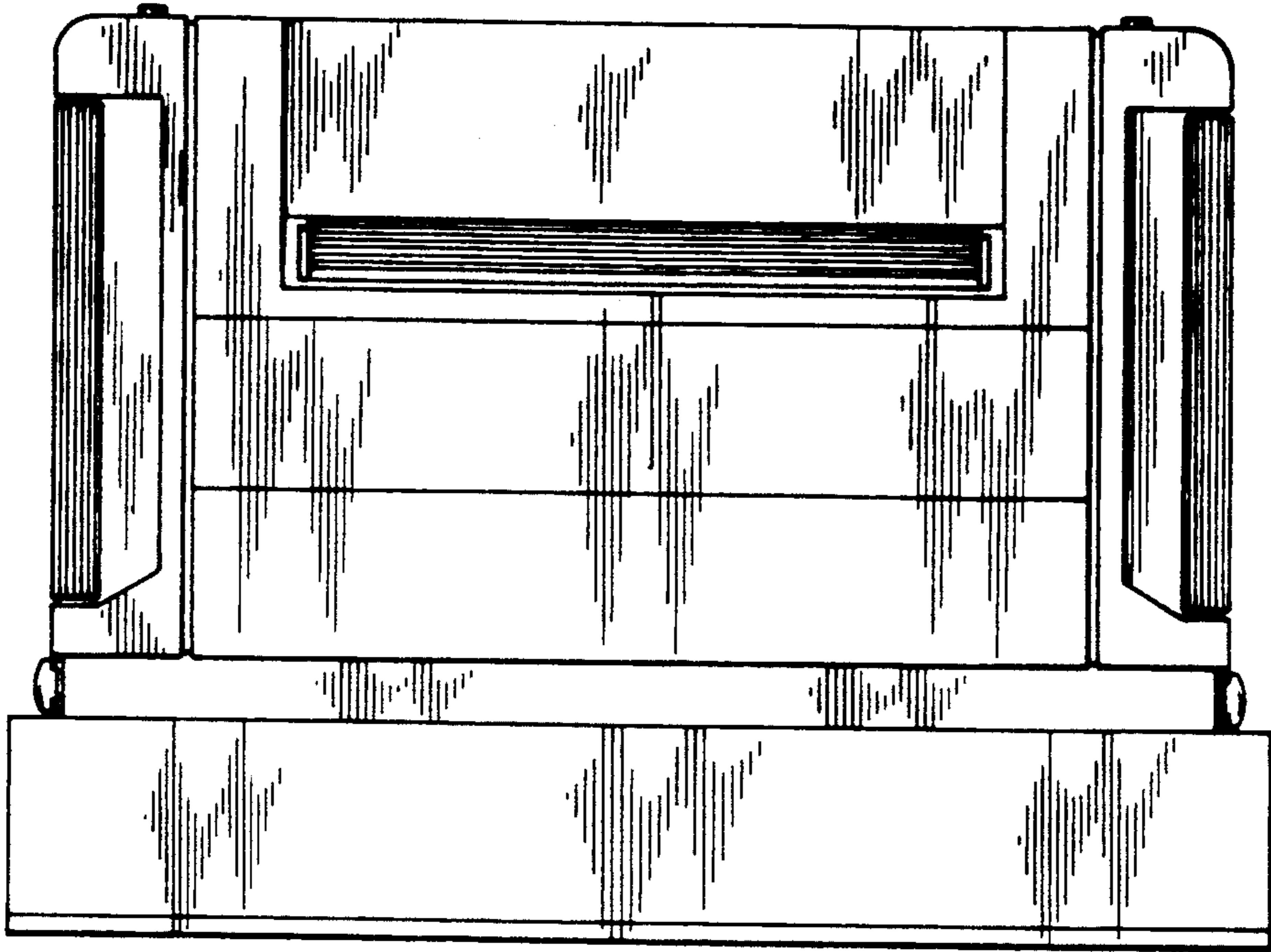


FIG. 6

