



US00D342501S

United States Patent [19]

Saeki et al.

[11] Patent Number: Des. 342,501

[45] Date of Patent: ** Dec. 21, 1993

[54] TELEVISION SET

D. 324,044 2/1992 Katayama D14/129

[75] Inventors: Taisuke Saeki; Harumi Sakamoto; Fumitoshi Sakata; Isao Yoshinaka, all of Tochigi, Japan

Primary Examiner—Theodore M. Shooman
Attorney, Agent, or Firm—Nixon & Vanderhye

[73] Assignee: Sharp Kabushiki Kaisha, Osaka, Japan

[57] CLAIM

[**] Term: 14 Years

The ornamental design for a television set, as shown and described.

[21] Appl. No.: 936,848

DESCRIPTION

[22] Filed: Aug. 28, 1992

[30] Foreign Application Priority Data

Feb. 28, 1992 [JP] Japan 4-5710

[52] U.S. Cl. D14/126

[58] Field of Search D14/124-134, D14/299; 358/60, 237-239, 254-255; 312/7.2

FIG. 1 is a top, front and right side perspective view of a television set according to our design;
FIG. 2 is a top plan view thereof;
FIG. 3 is a front elevational view thereof;
FIG. 4 is a right side elevational view thereof;
FIG. 5 is a rear elevational view thereof;
FIG. 6 is a left side elevational view thereof;
FIG. 7 is a bottom plan view thereof;
FIG. 8 is a top, front and right side perspective view of the television set hereof in a closed position;
FIG. 9 is a top plan view thereof;
FIG. 10 is a front elevational view thereof;
FIG. 11 is a right side elevational view thereof;
FIG. 12 is a rear elevational view thereof;
FIG. 13 is a left side elevational view thereof; and,
FIG. 14 is a bottom plan view thereof.

[56] References Cited

U.S. PATENT DOCUMENTS

- D. 284,473 7/1986 Ohtsu D14/132
- D. 316,714 5/1991 Matsumoto D14/126
- D. 317,306 6/1991 Hong D14/129

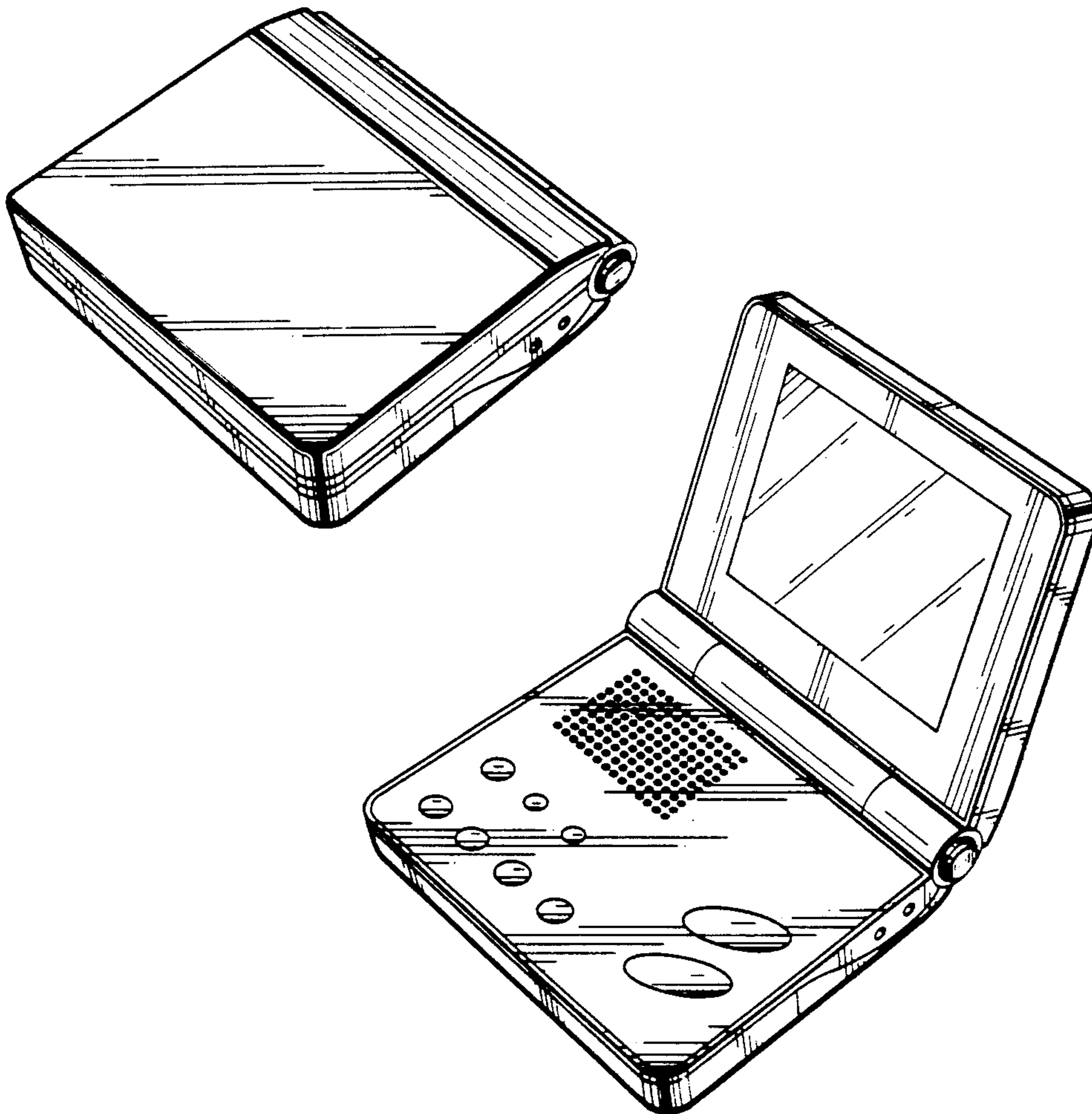


FIG. 1

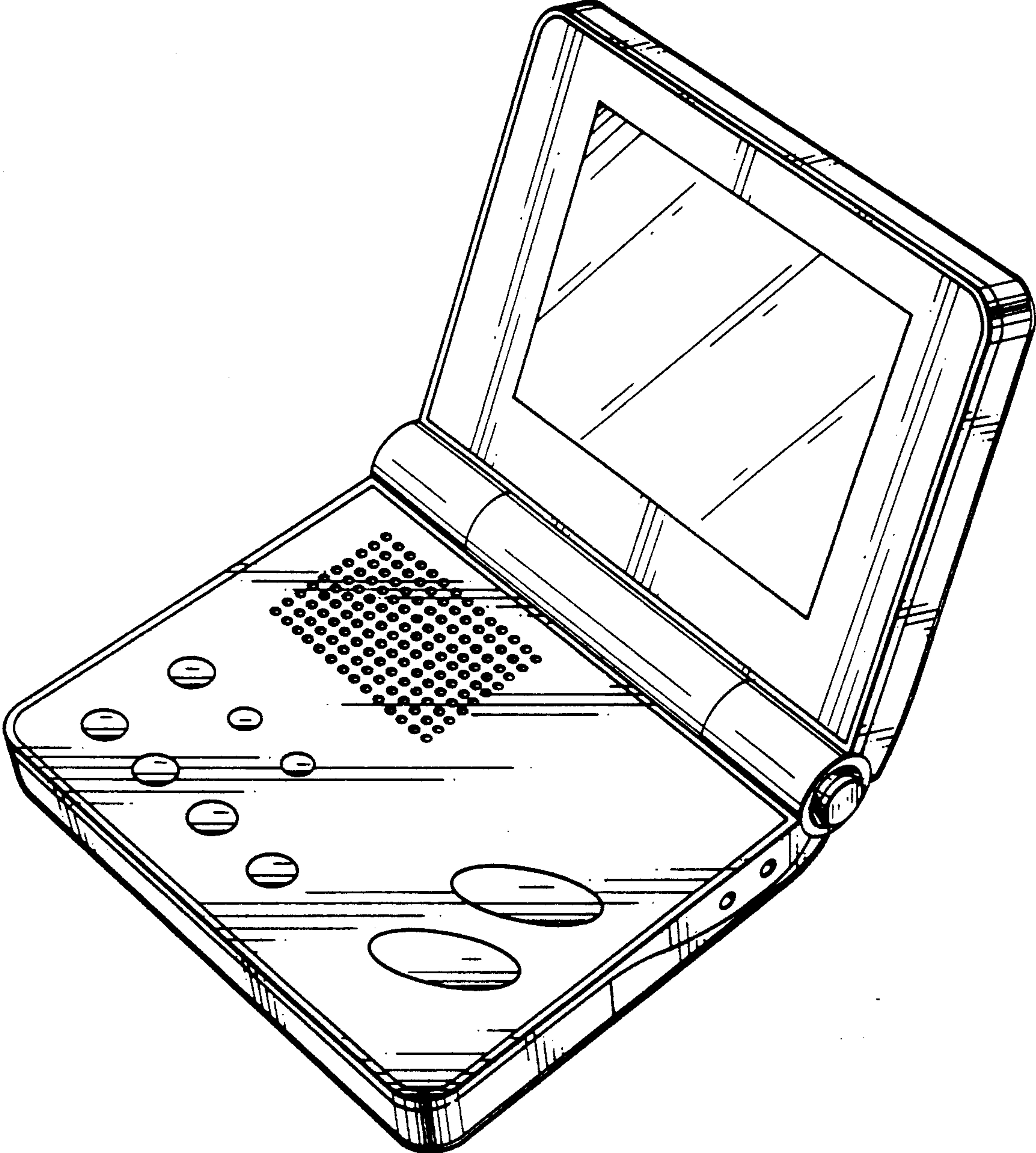


FIG. 3

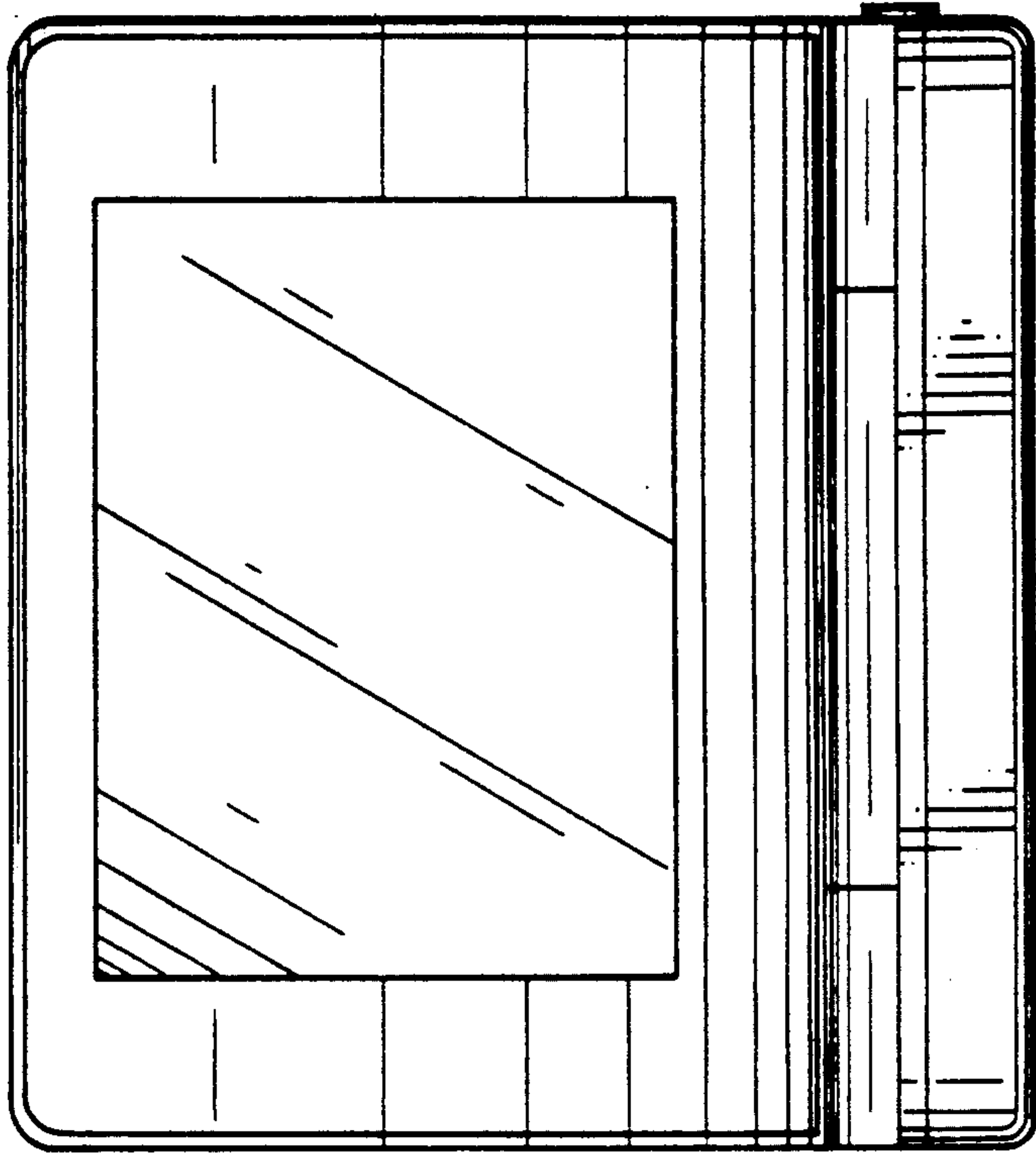
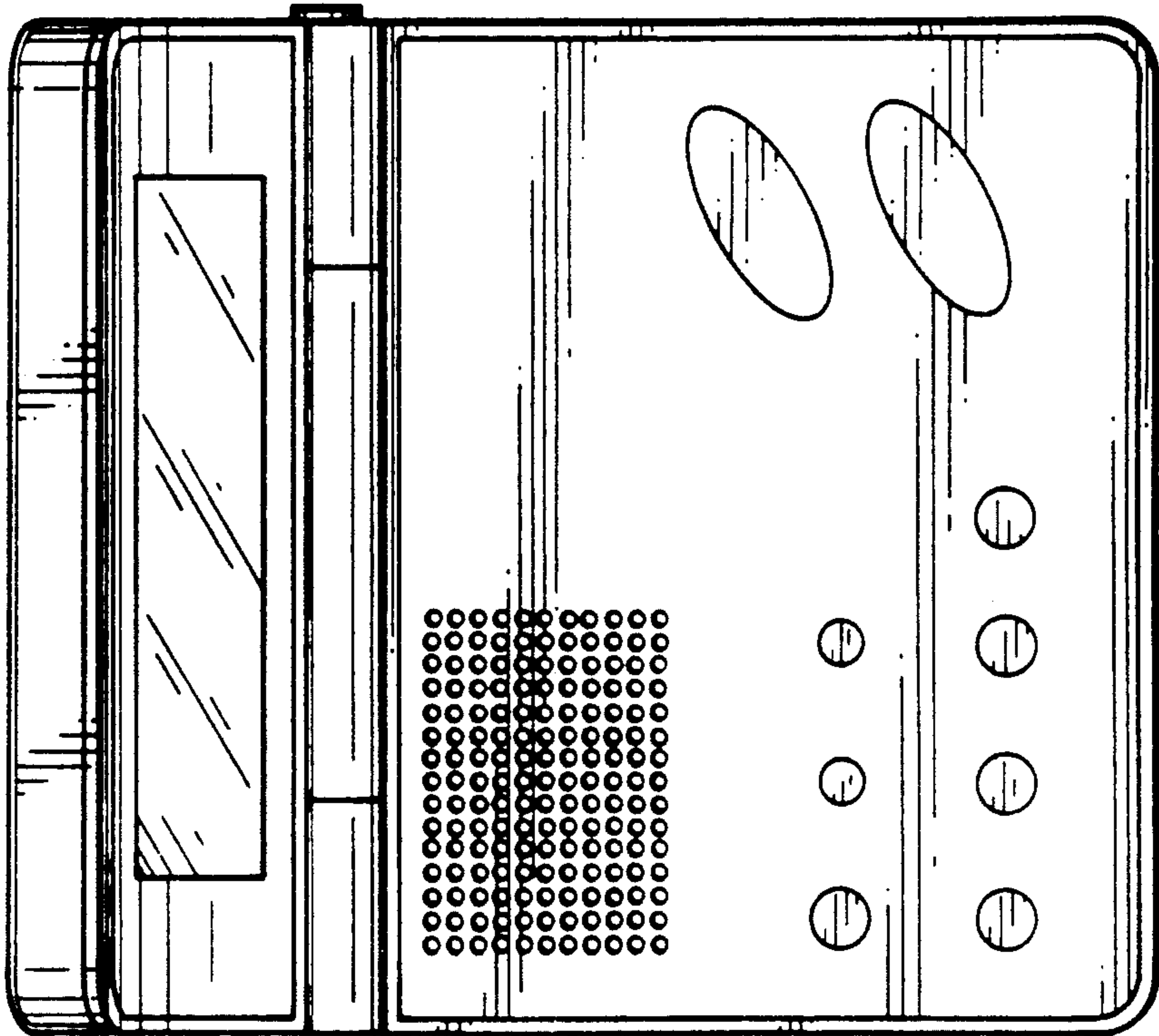


FIG. 2



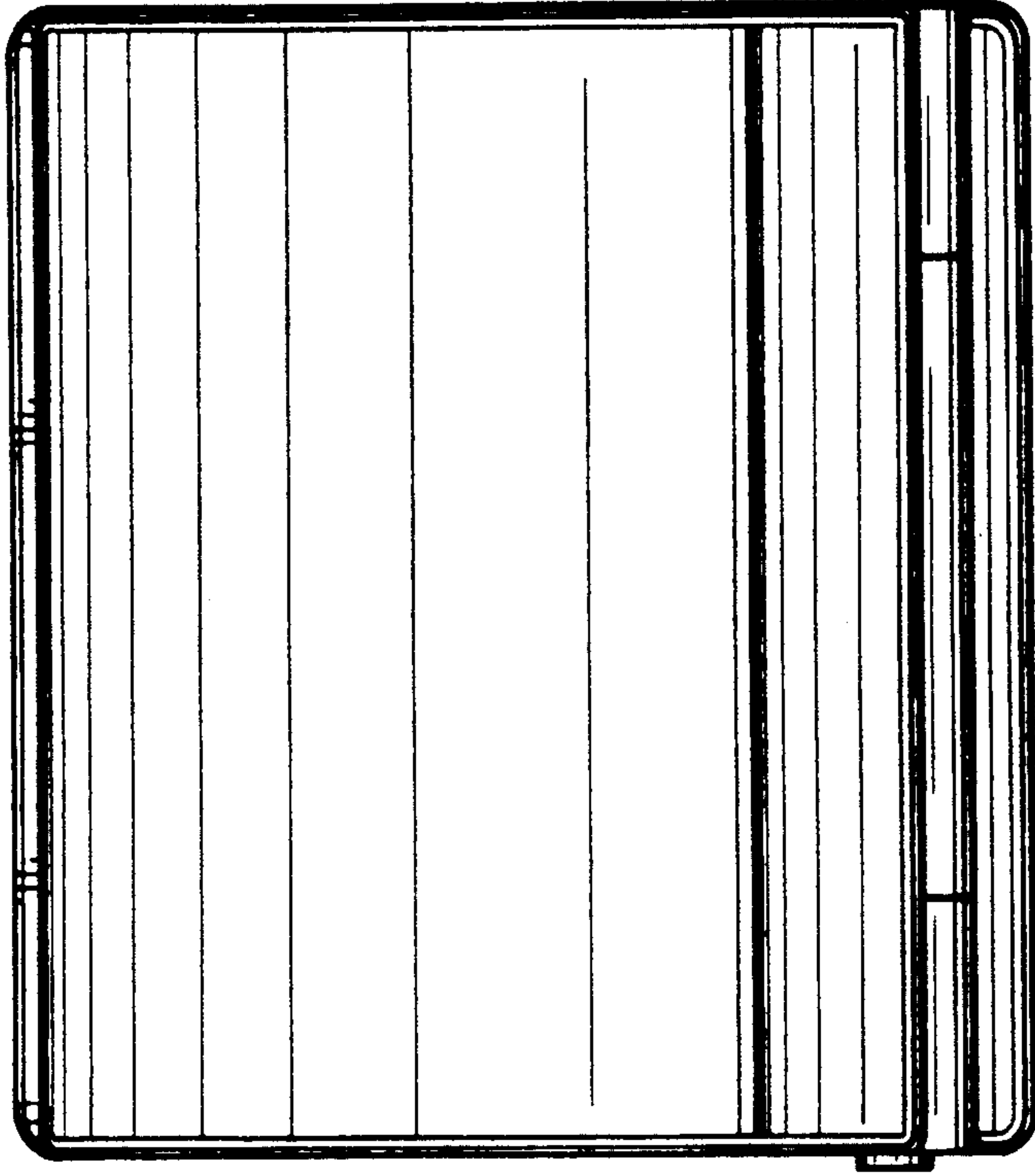


FIG. 5

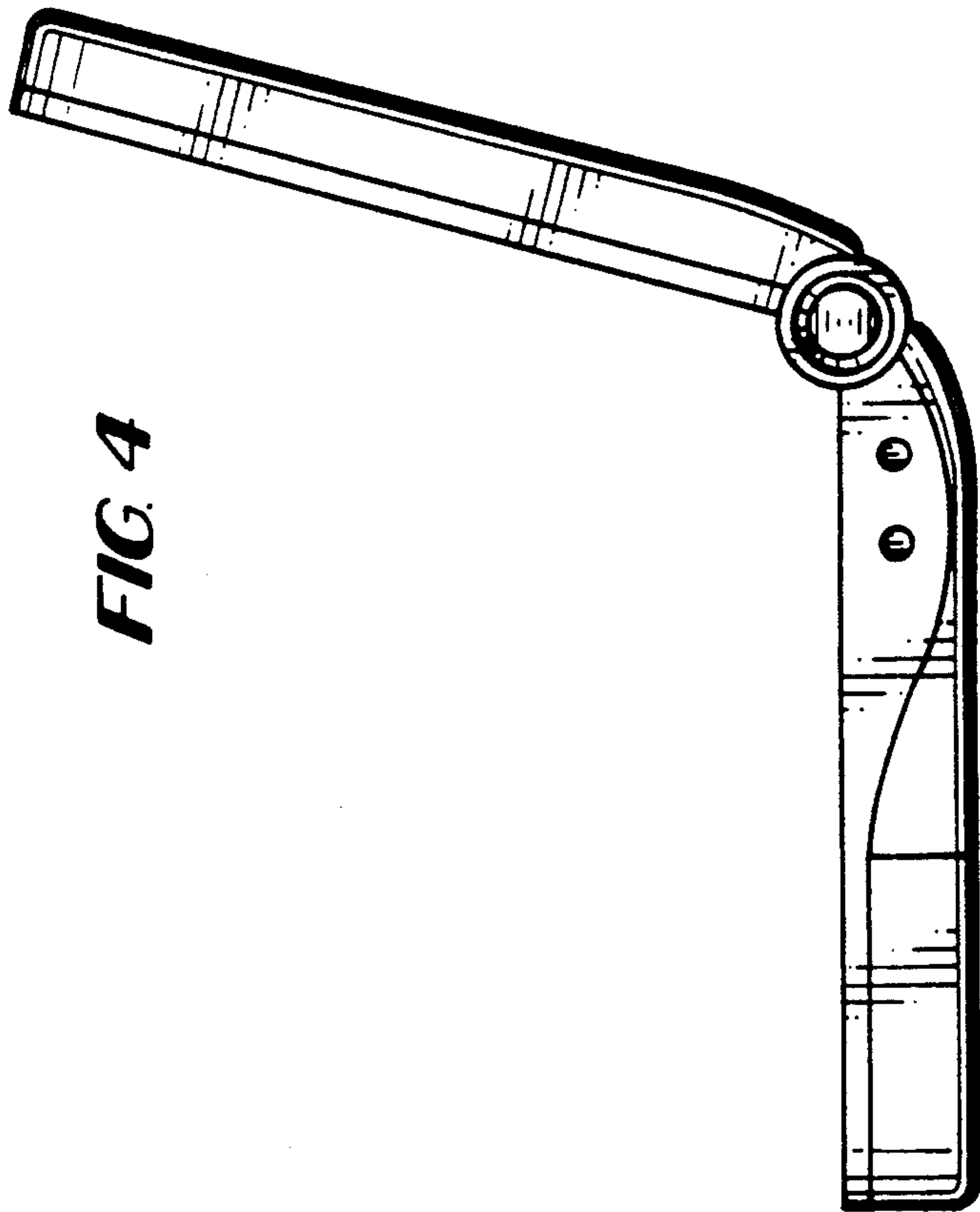


FIG. 4

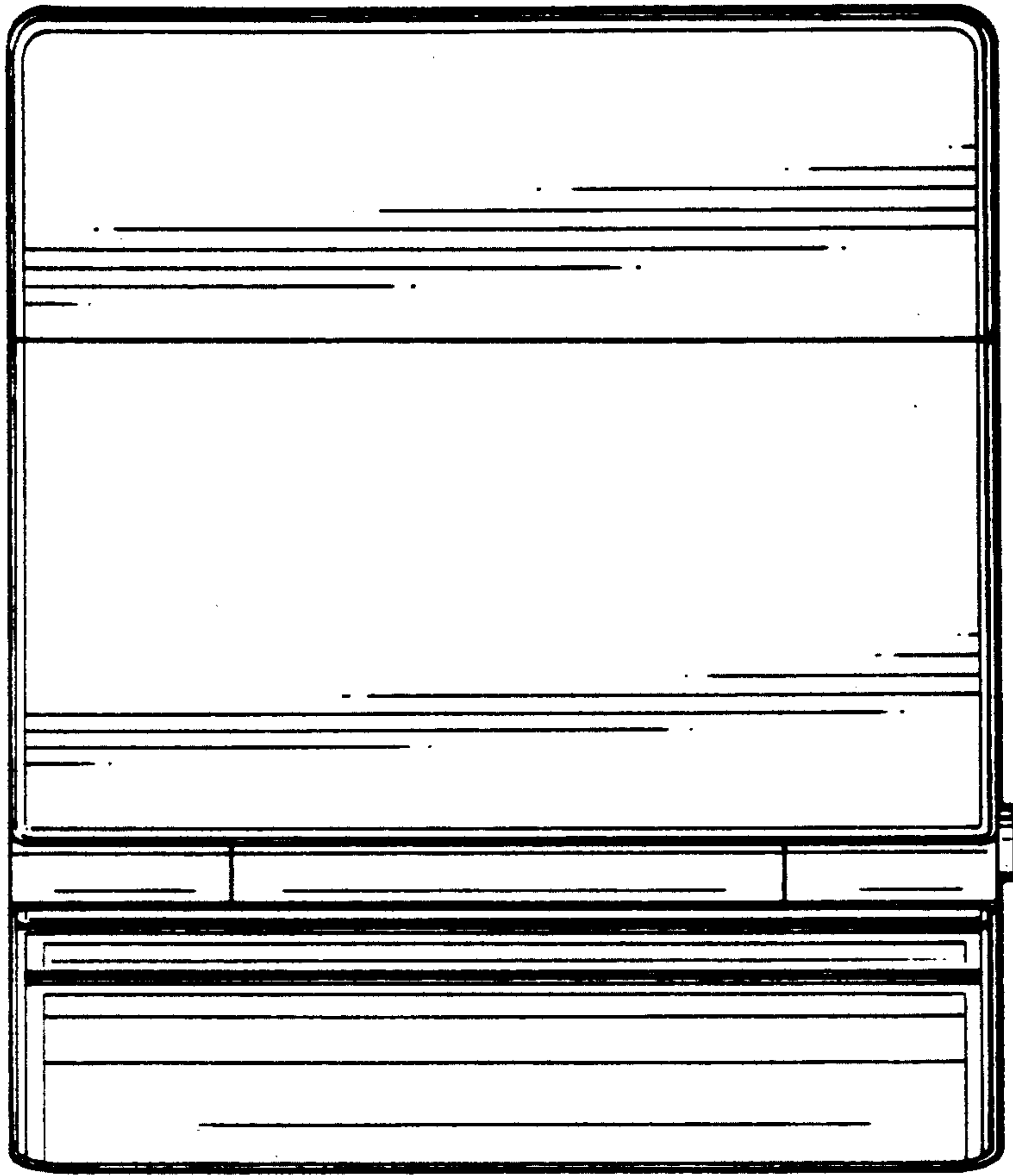


FIG. 7

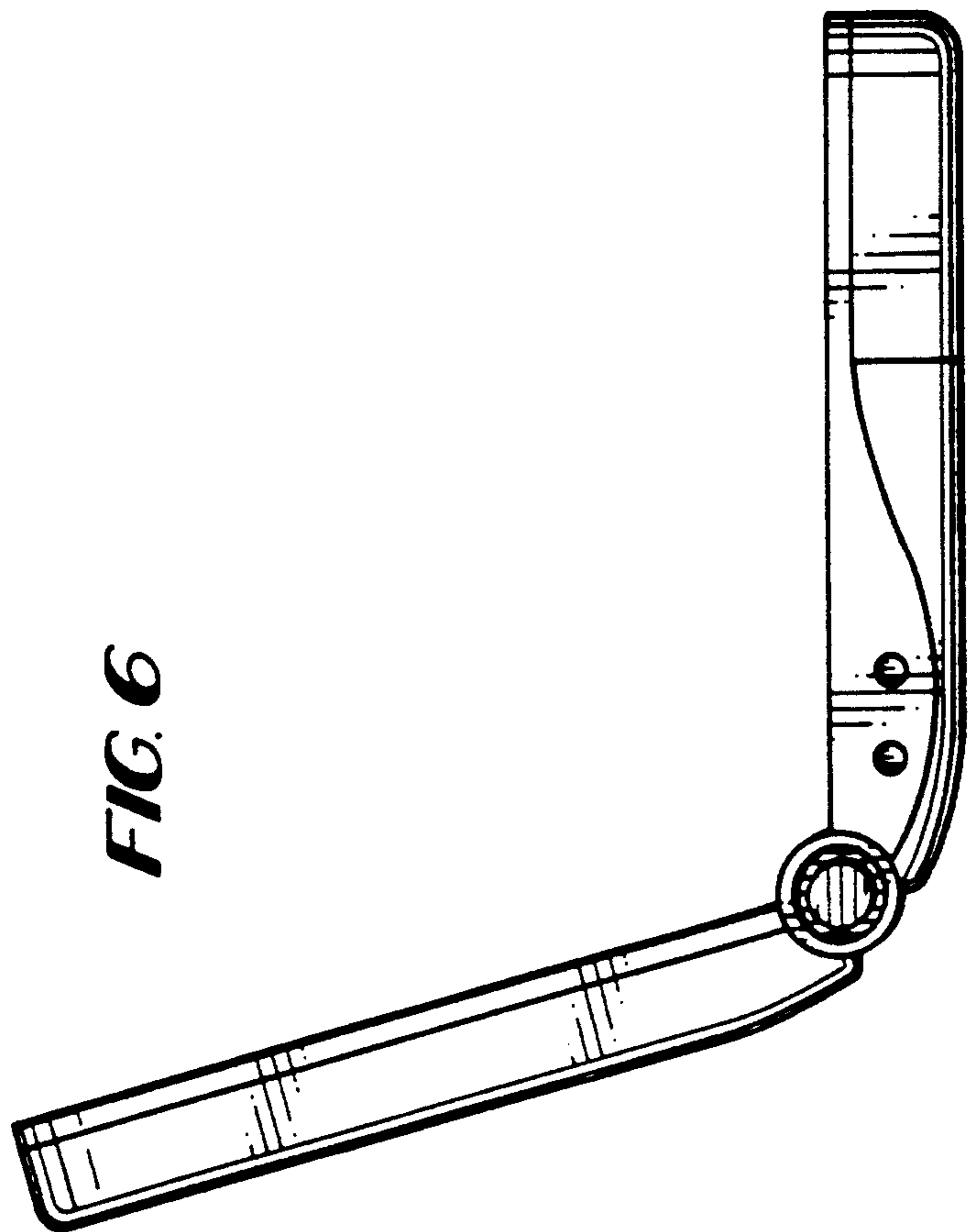


FIG. 6

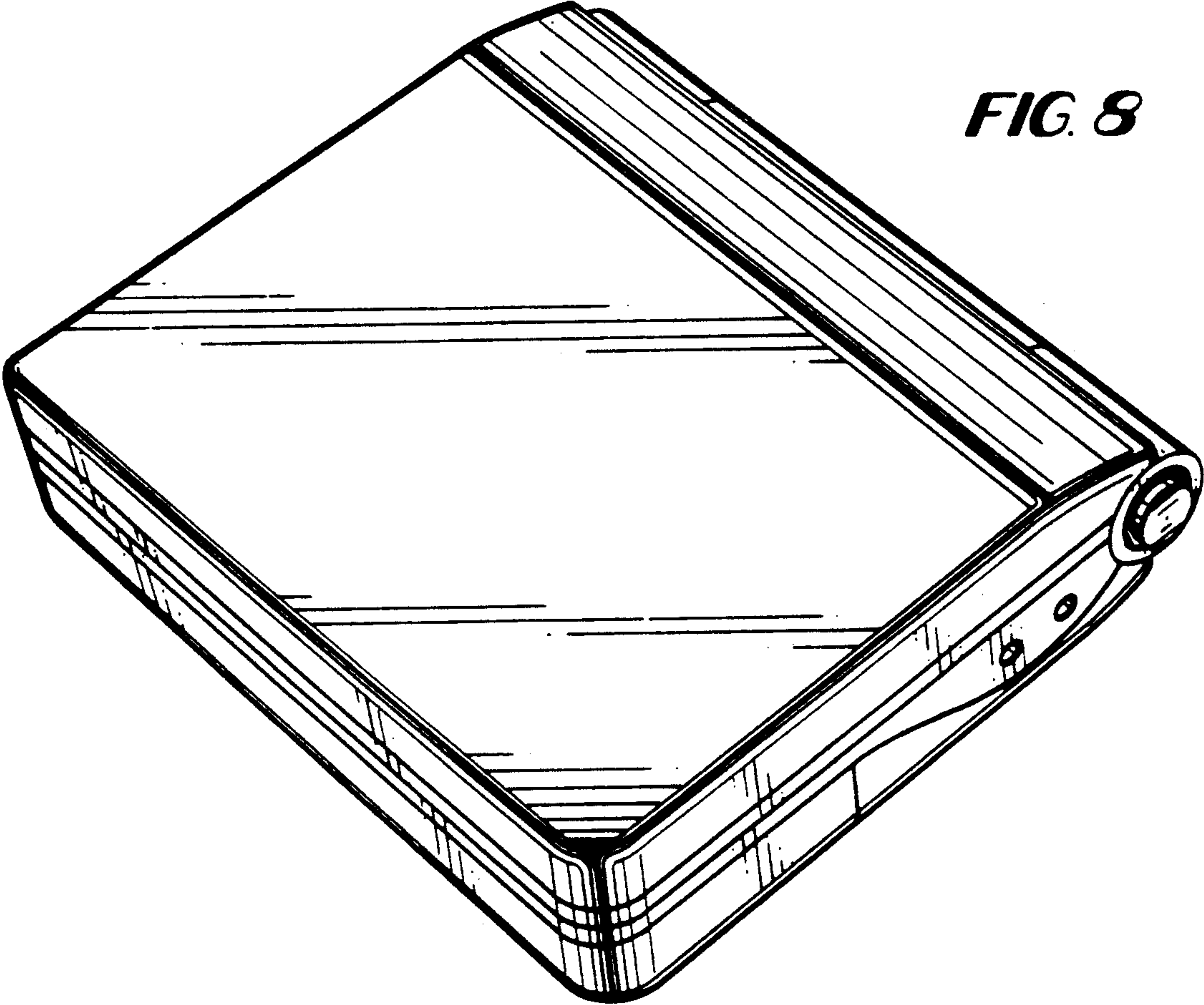


FIG. 8

FIG. 9

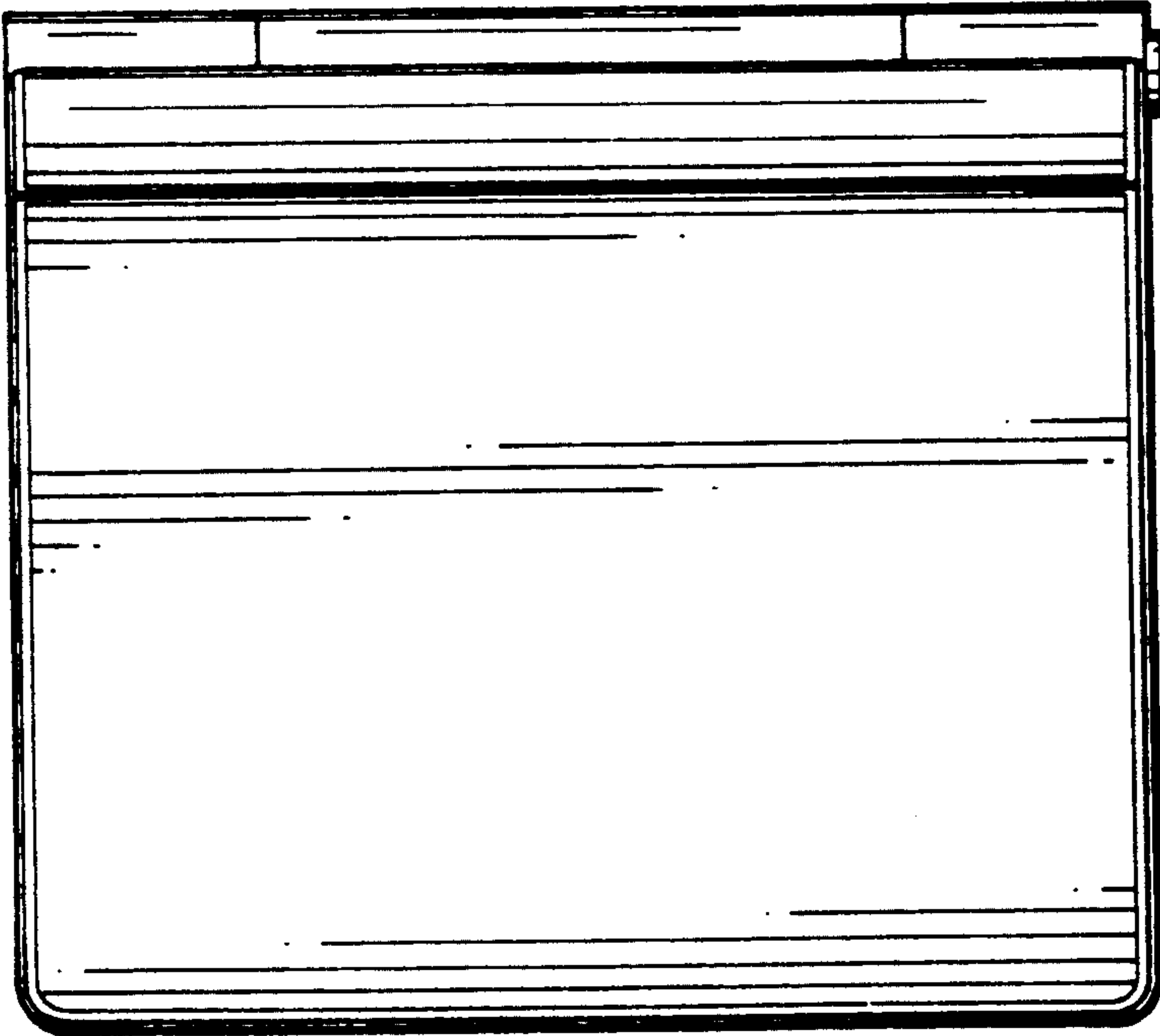


FIG. 10

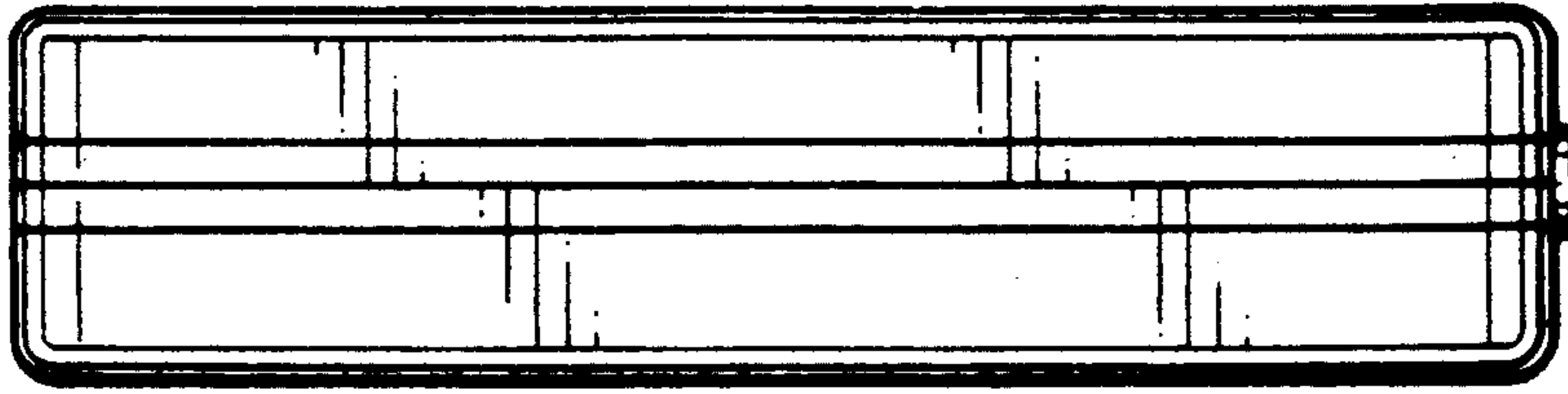


FIG. 11

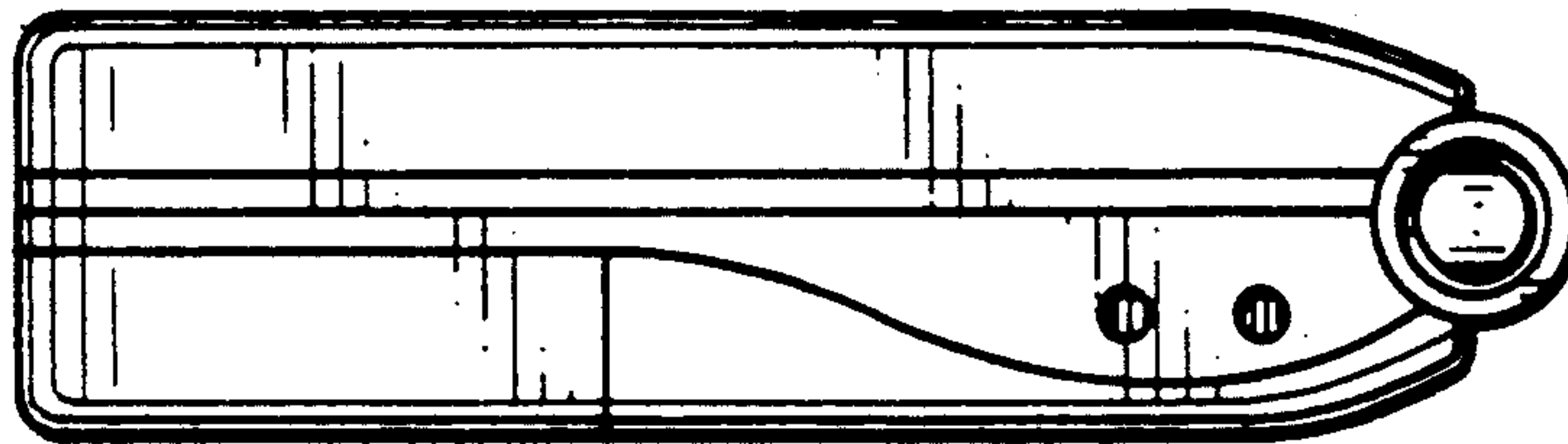


FIG. 12

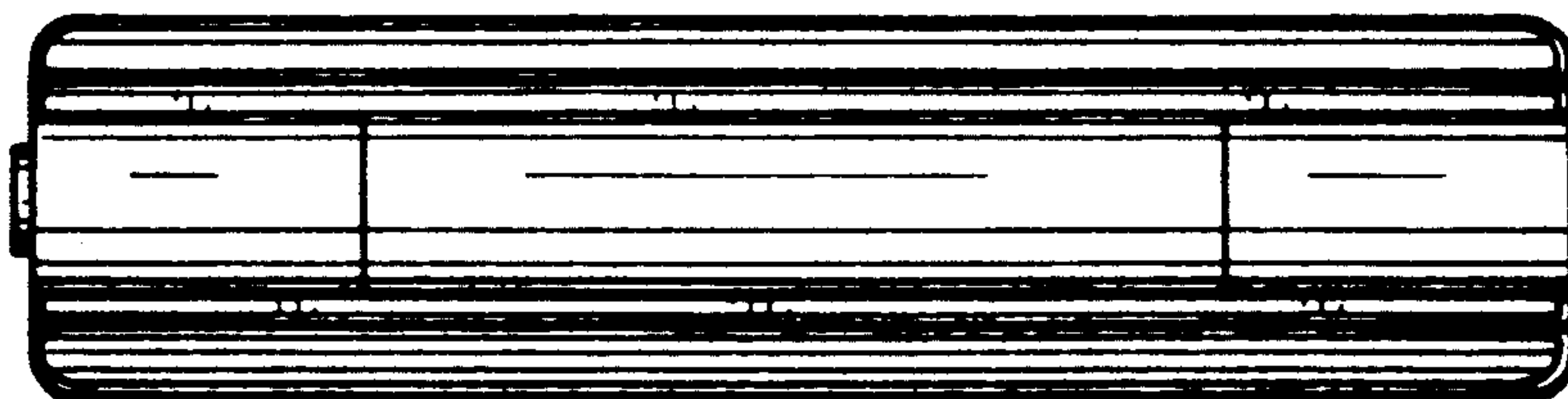


FIG. 13

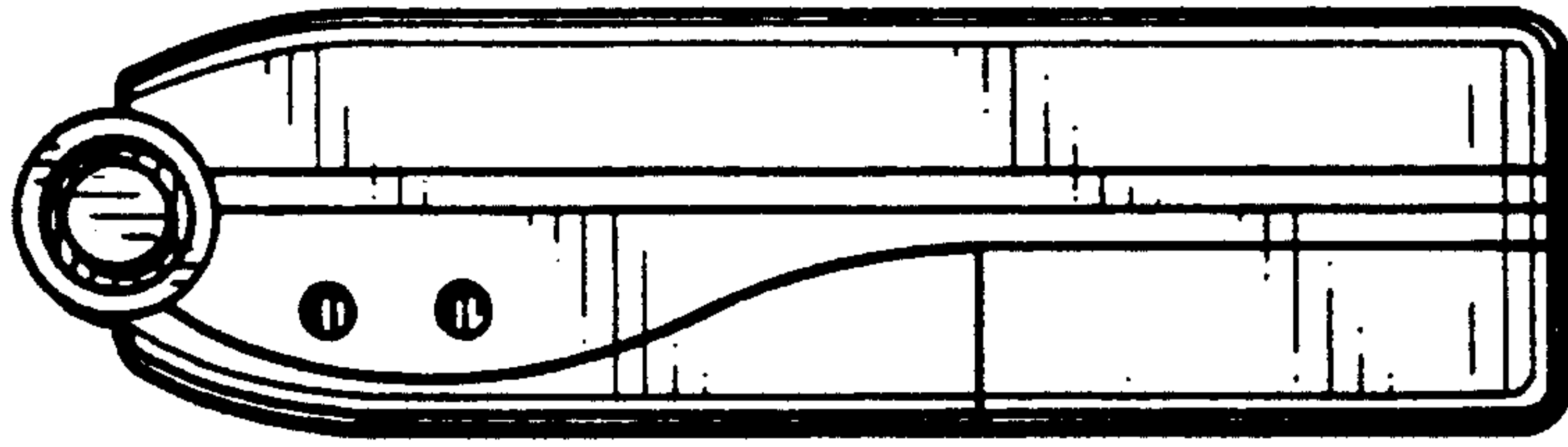


FIG. 14

