



US00D342500S

United States Patent [19]

[11] Patent Number: **Des. 342,500**

Wada et al.

[45] Date of Patent: **** Dec. 21, 1993**

[54] TELEVISION RECEIVER

[56]

References Cited

U.S. PATENT DOCUMENTS

[75] Inventors: **Kenichi Wada; Yuzo Fujii**, both of Osaka; **Masakazu Nakamura**, Hyogo; **Masao Yoshikawa; Hiroaki Nishiyori**, both of Osaka, all of Japan

D. 290,359	6/1987	Inoue et al.	D14/126
D. 298,323	11/1988	Ariyoshi et al.	D14/126
D. 299,233	1/1989	Maki et al.	D14/126
D. 307,583	5/1990	Saito et al.	D14/126
D. 319,437	8/1991	Kurozumi et al.	D14/126
D. 335,665	5/1993	Althans et al.	D14/126

[73] Assignee: **Matsushita Electric Industrial Co., Ltd.**, Osaka, Japan

Primary Examiner—Theodore M. Shooman
Attorney, Agent, or Firm—Sughrue, Mion, Zinn, Macpeak & Seas

[**] Term: **14 Years**

[57]

CLAIM

[21] Appl. No.: **850,782**

The ornamental design for a television receiver, as shown.

[22] Filed: **Mar. 13, 1992**

DESCRIPTION

[30] Foreign Application Priority Data

Nov. 12, 1991 [JP] Japan 3-34265
 [52] U.S. Cl. **D14/126**
 [58] Field of Search **D14/124-134,**
D14/299; 358/60, 237-239, 254-255; 312/7.2

FIG. 1 is a front, top and right side perspective view of a television receiver showing our new design; FIG. 2 is a front elevational view thereof; FIG. 3 is a left side elevational view thereof; FIG. 4 is a right side elevational view thereof; FIG. 5 is a top plan view thereof; FIG. 6 is a rear elevational view thereof; and, FIG. 7 is a bottom plan view thereof.

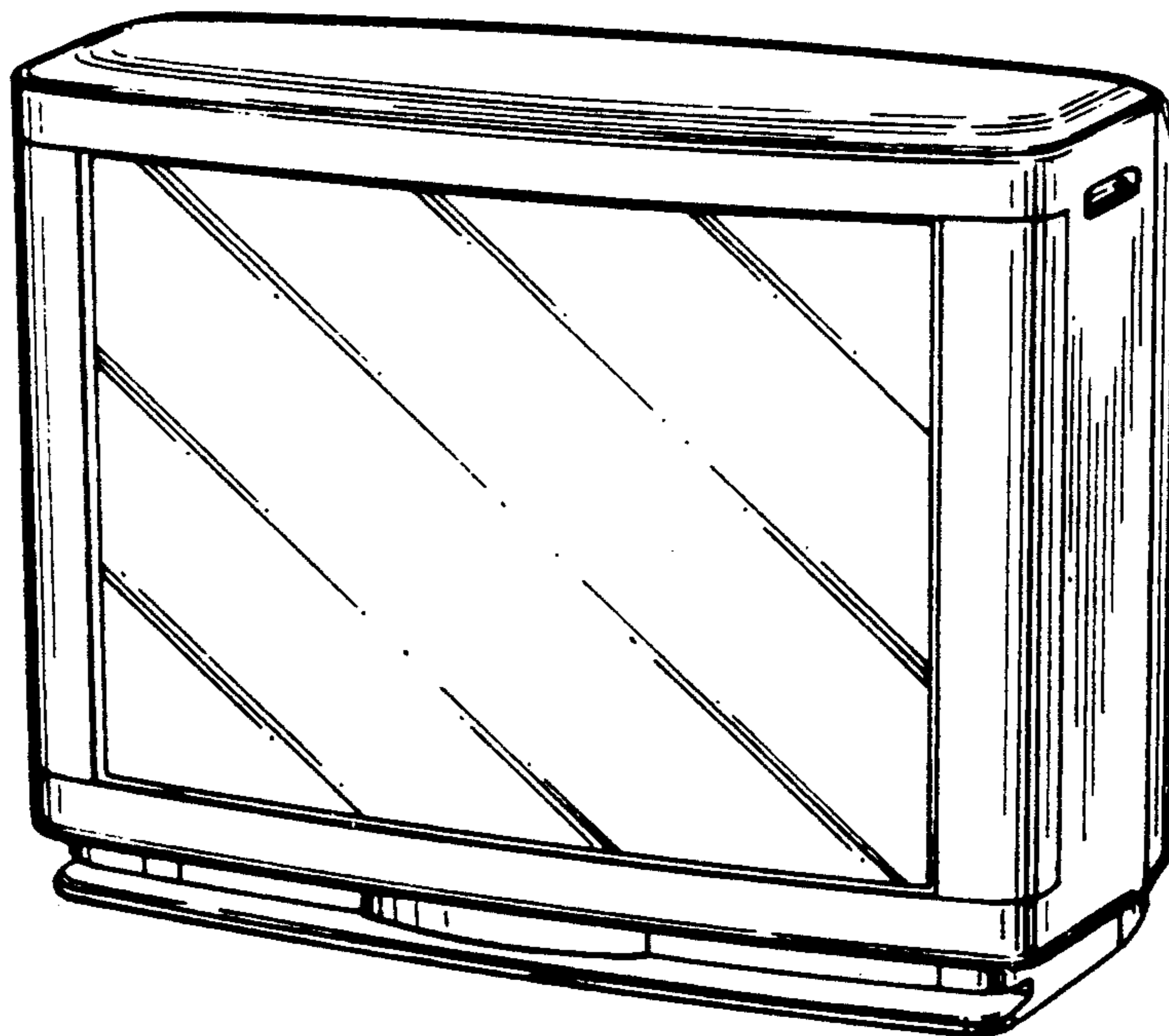


FIG. 1

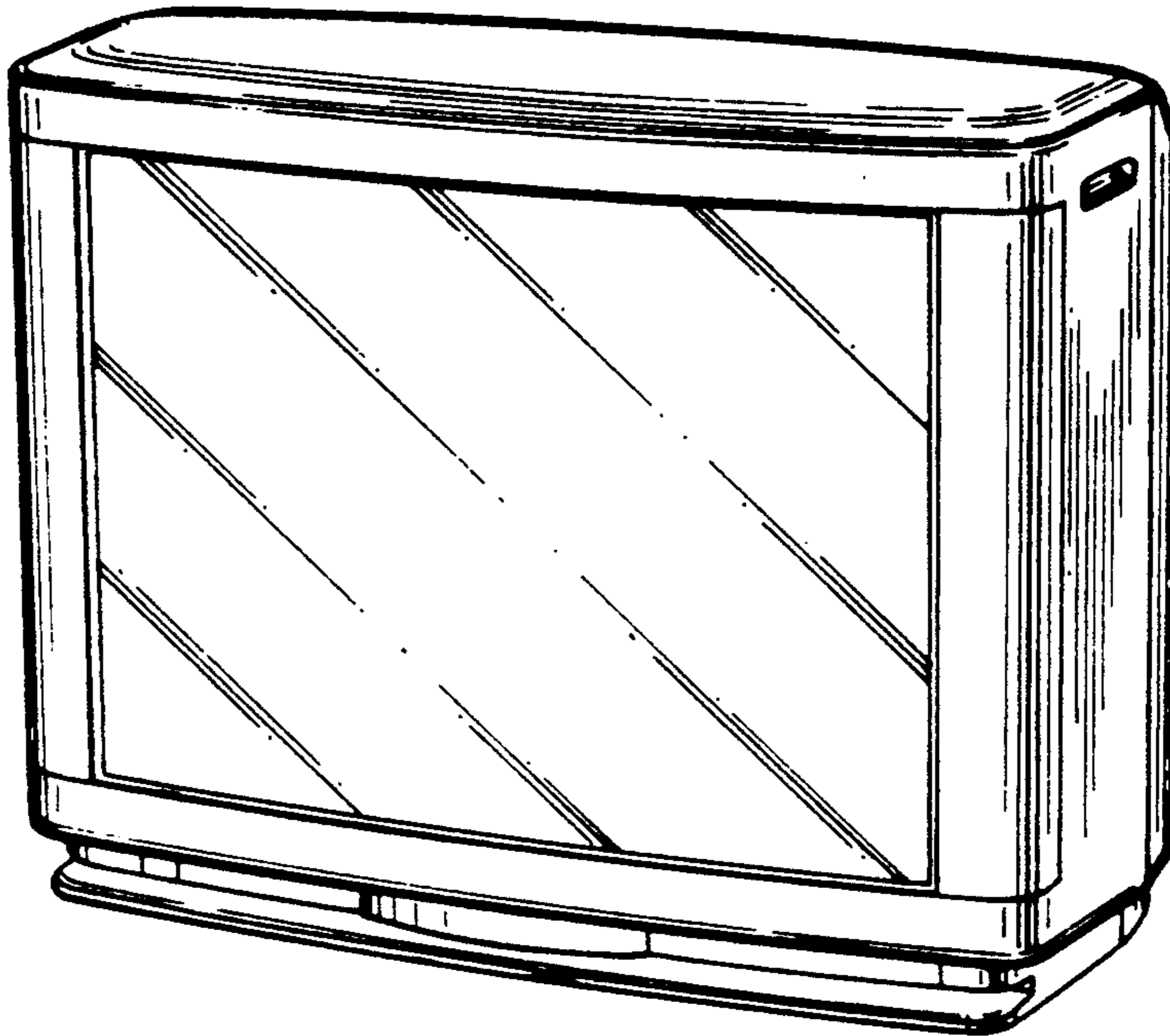


FIG. 2

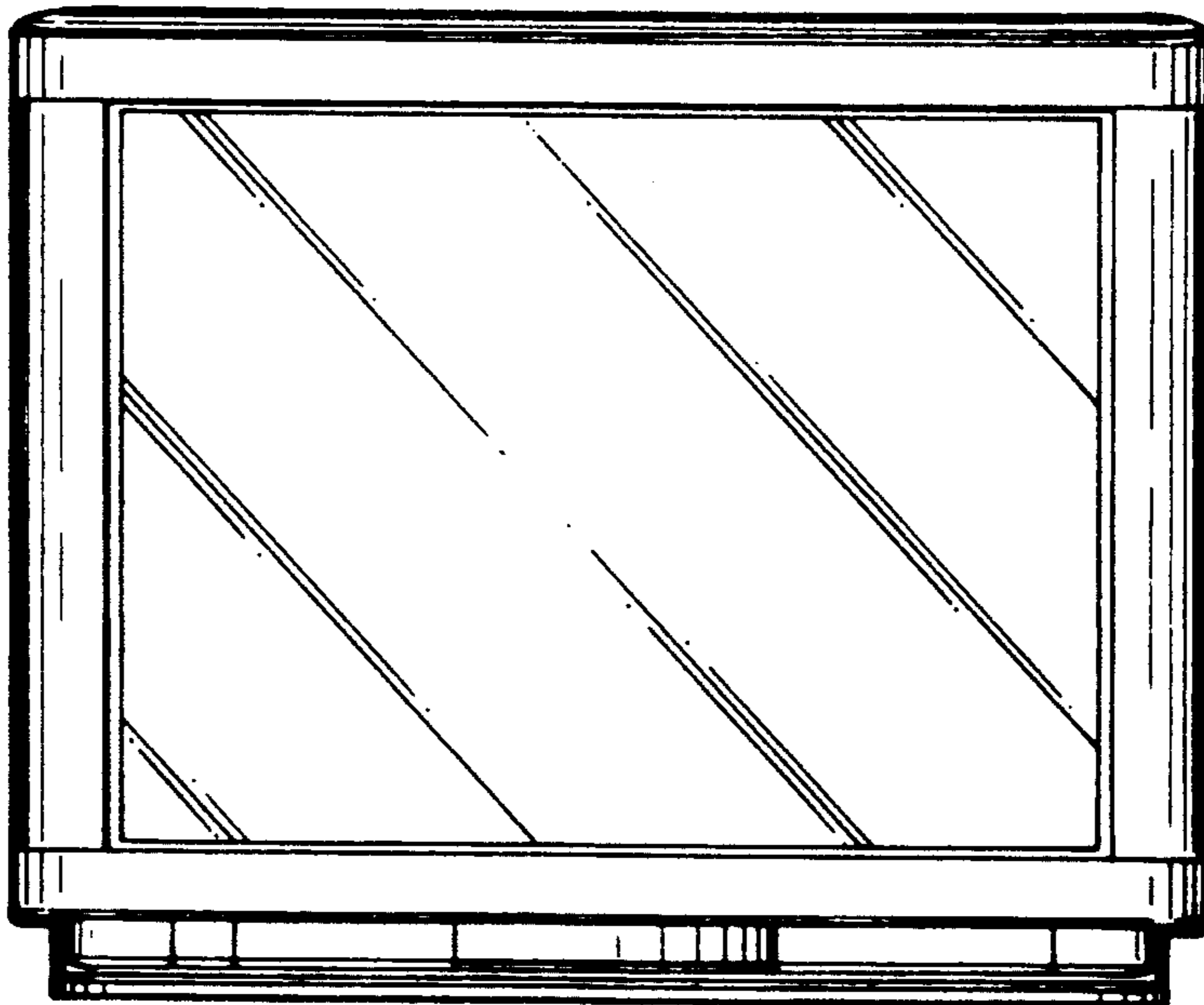


FIG. 3

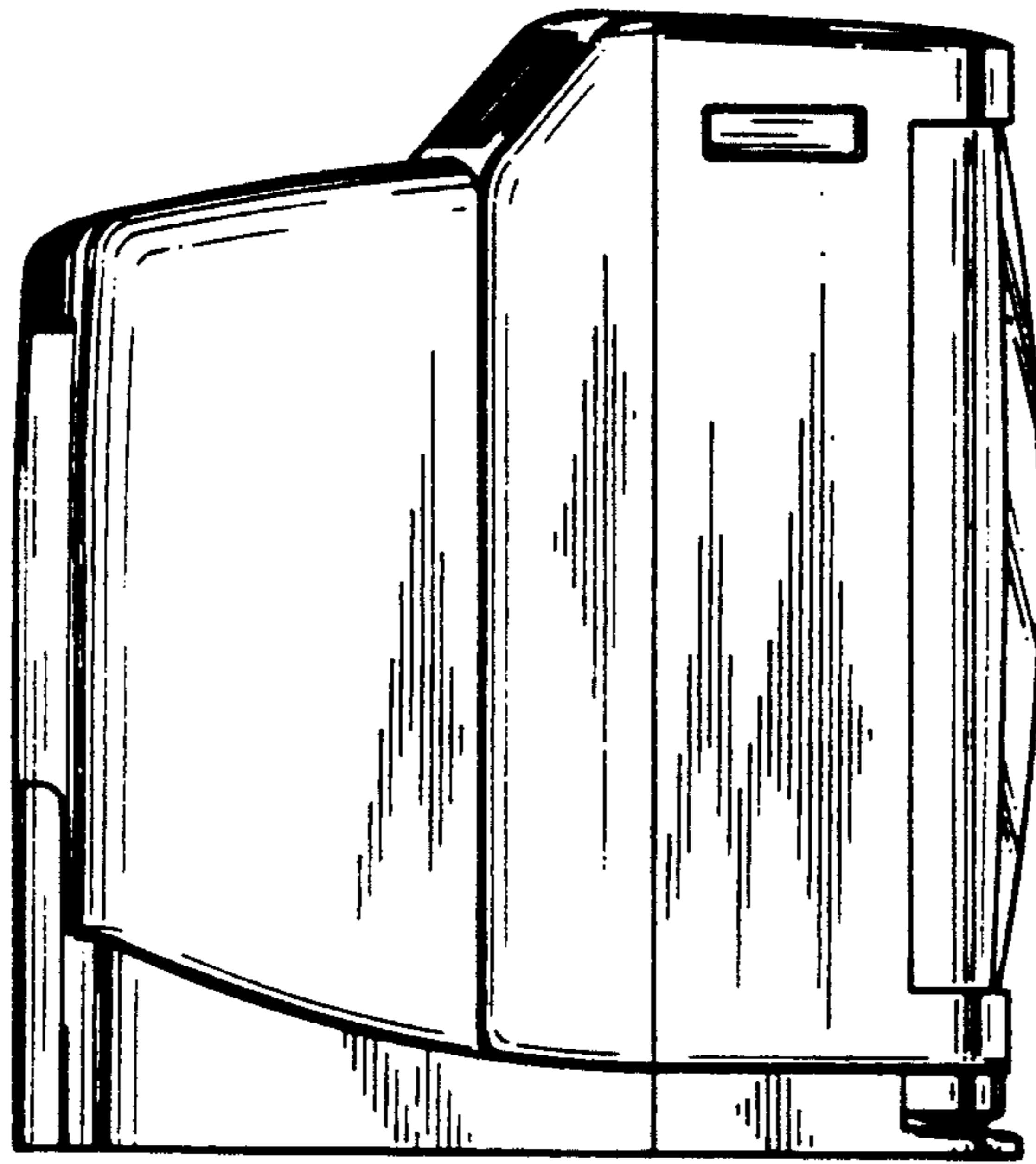


FIG. 4

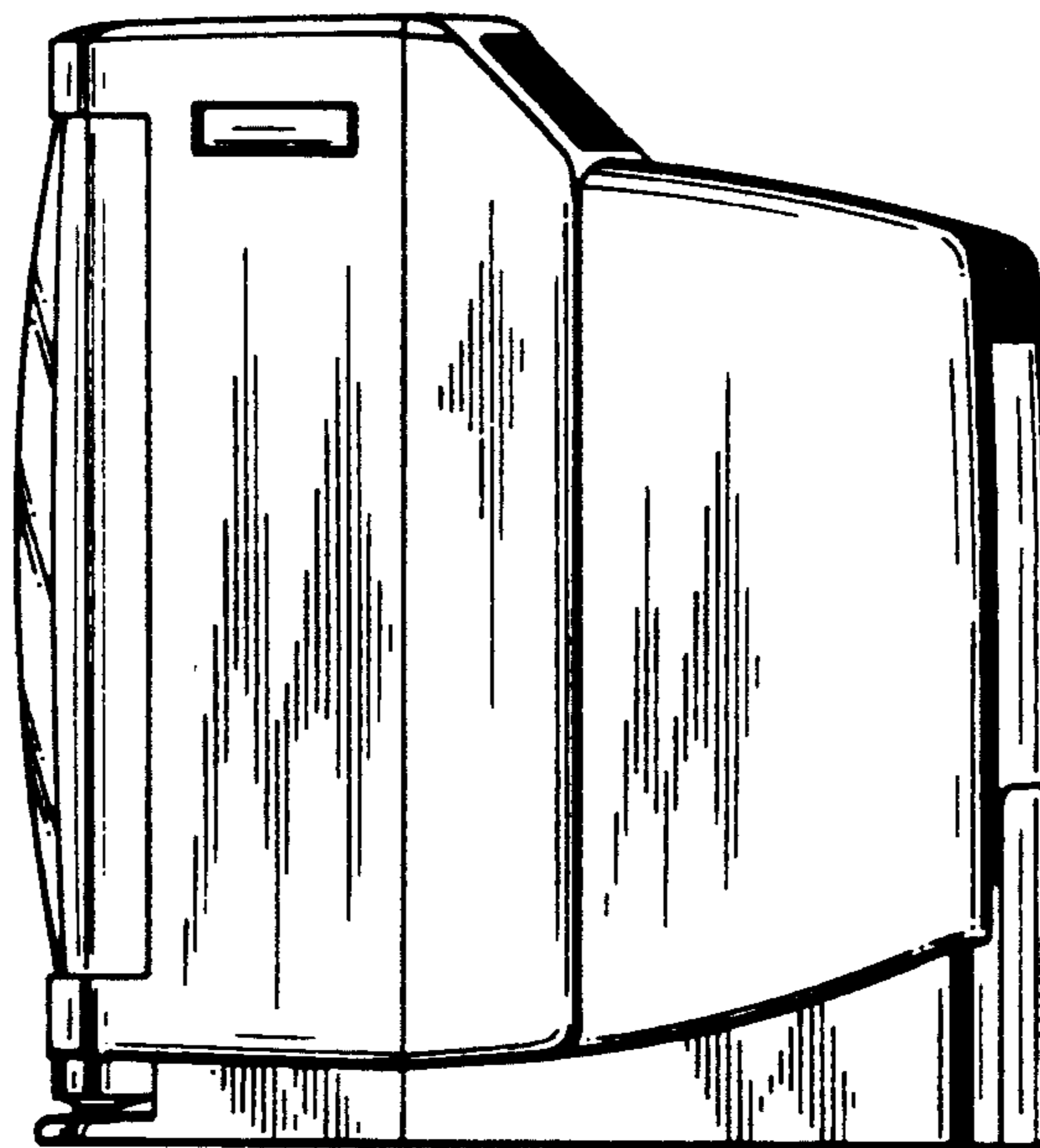


FIG. 5

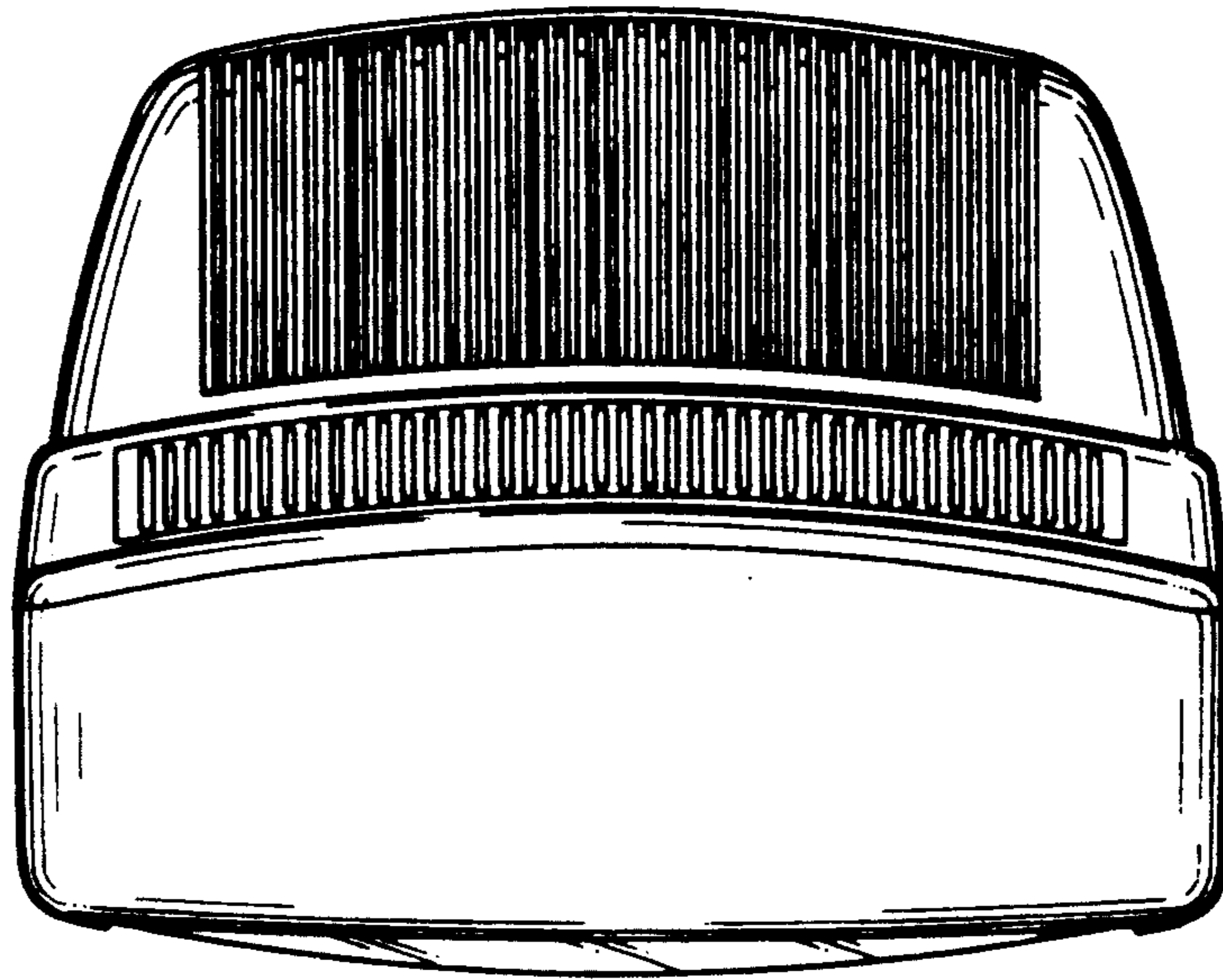


FIG. 6

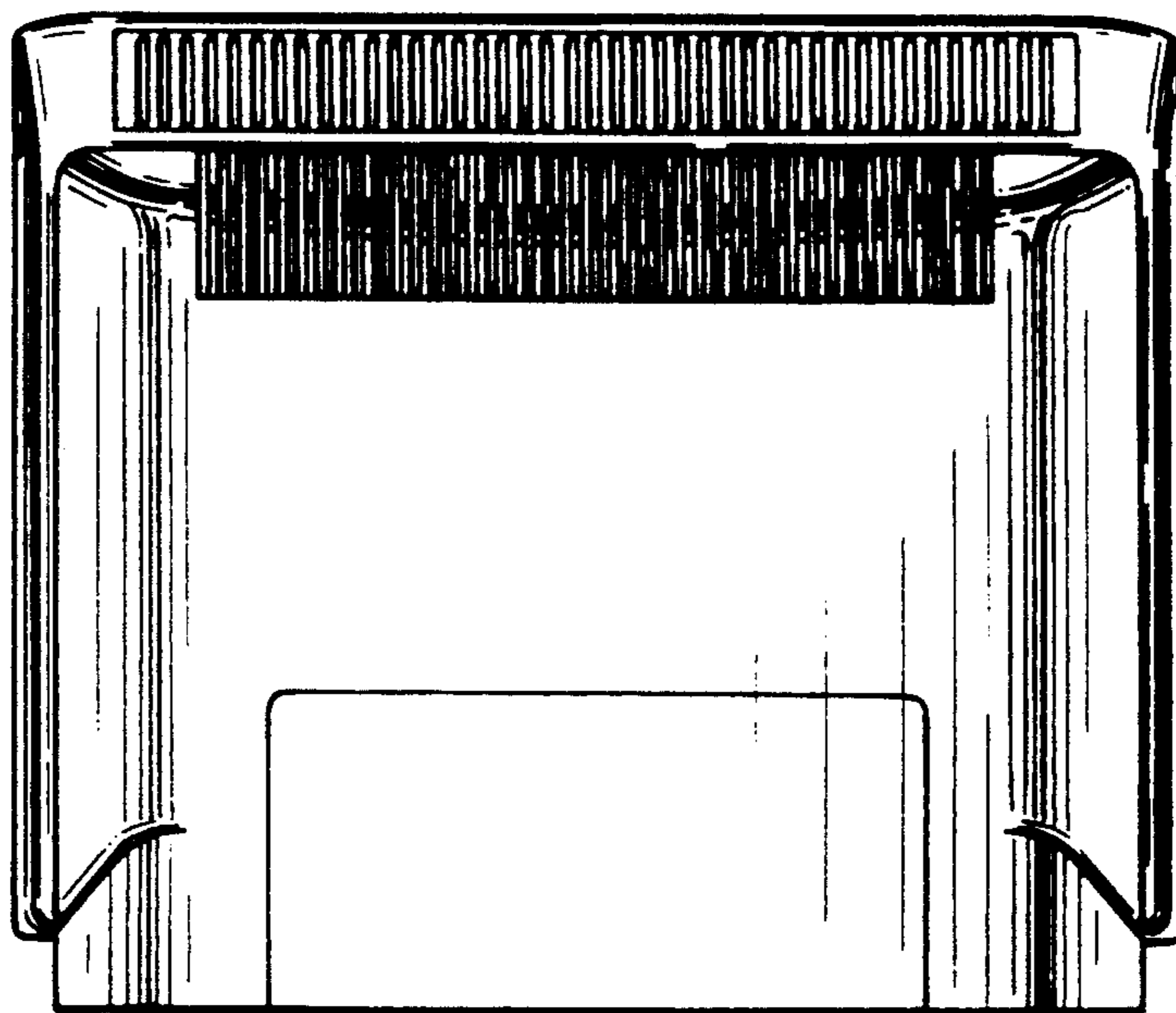


FIG. 7

