



US00D342496S

United States Patent [19]

[11] Patent Number: **Des. 342,496**

Higashibata et al.

[45] Date of Patent: **** Dec. 21, 1993**

[54] TELEVISION RECEIVER

[75] Inventors: **Toru Higashibata, Osaka; Eiichiro Naito, Hyogo, both of Japan**

[73] Assignee: **Matsushita Electric Industrial Co., Ltd., Osaka, Japan**

[**] Term: **14 Years**

[21] Appl. No.: **817,841**

[22] Filed: **Jan. 8, 1992**

[30] **Foreign Application Priority Data**

Jul. 12, 1991 [JP] Japan 3-20910

[52] U.S. Cl. **D14/126**

[58] Field of Search D14/124-134, D14/299; 358/60, 237-239, 254-255; 312/7.2

[56] **References Cited**

U.S. PATENT DOCUMENTS

D. 290,359 6/1987 Inoue et al. D14/126

- D. 298,323 11/1988 Ariyoshi et al. D14/126
- D. 299,233 1/1989 Maki et al. D14/126
- D. 307,583 5/1990 Saito et al. D14/126
- D. 319,437 8/1991 Kurozumi et al. D14/126
- D. 335,665 5/1993 Althans et al. D14/126

Primary Examiner—Theodore M. Shooman
Attorney, Agent, or Firm—Sughrue, Mion, Zinn, Macpeak & Seas

[57] **CLAIM**

The ornamental design for a television receiver, as shown.

DESCRIPTION

FIG. 1 is a front, top and right side perspective view of a television receiver showing our new design; FIG. 2 is a front elevational view thereof; FIG. 3 is a rear elevational view thereof; FIG. 4 is a top plan view thereof; FIG. 5 is a bottom plan view thereof; FIG. 6 is a right side elevational view thereof; and, FIG. 7 is a left side elevational view thereof.

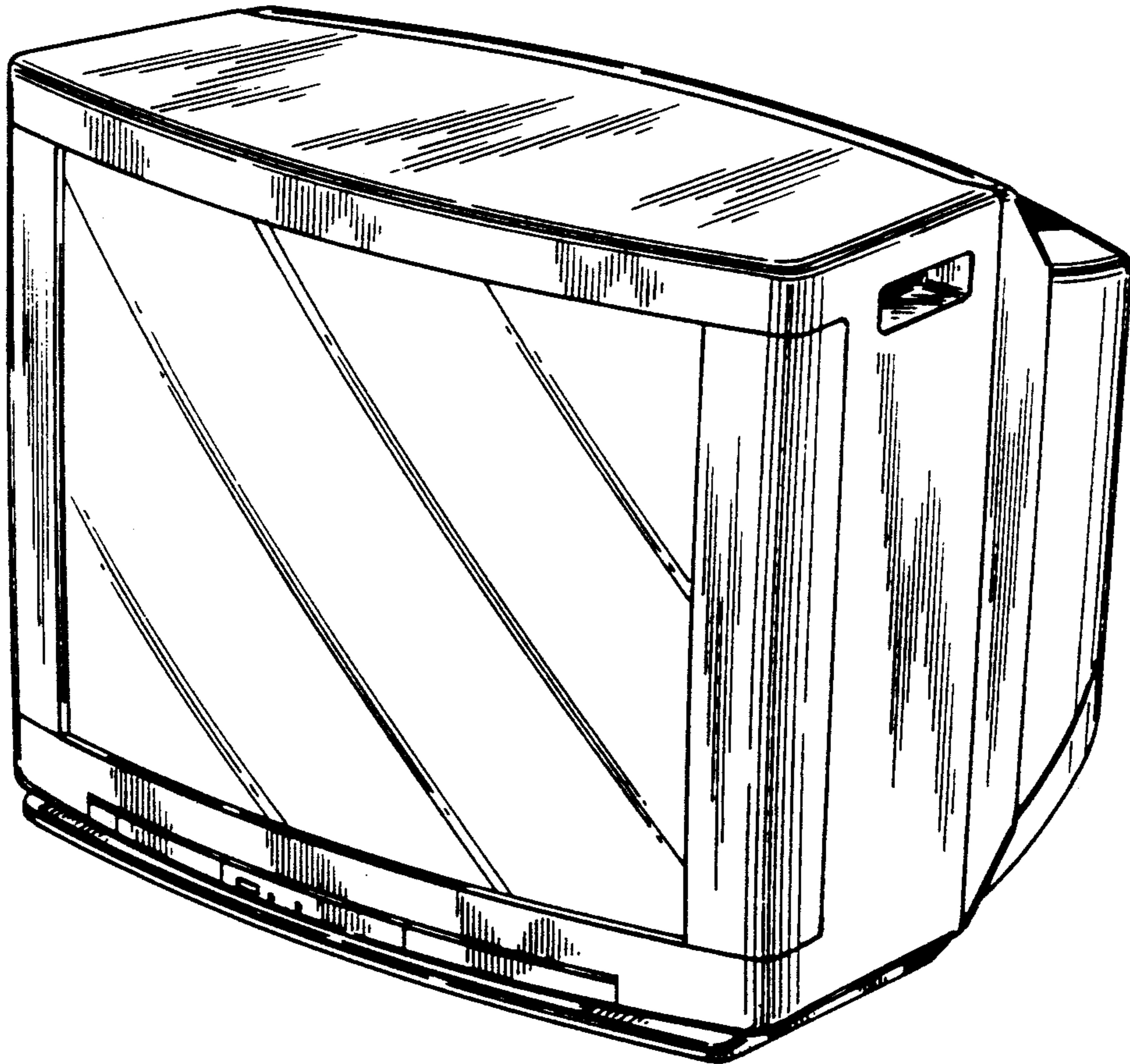


FIG. 1

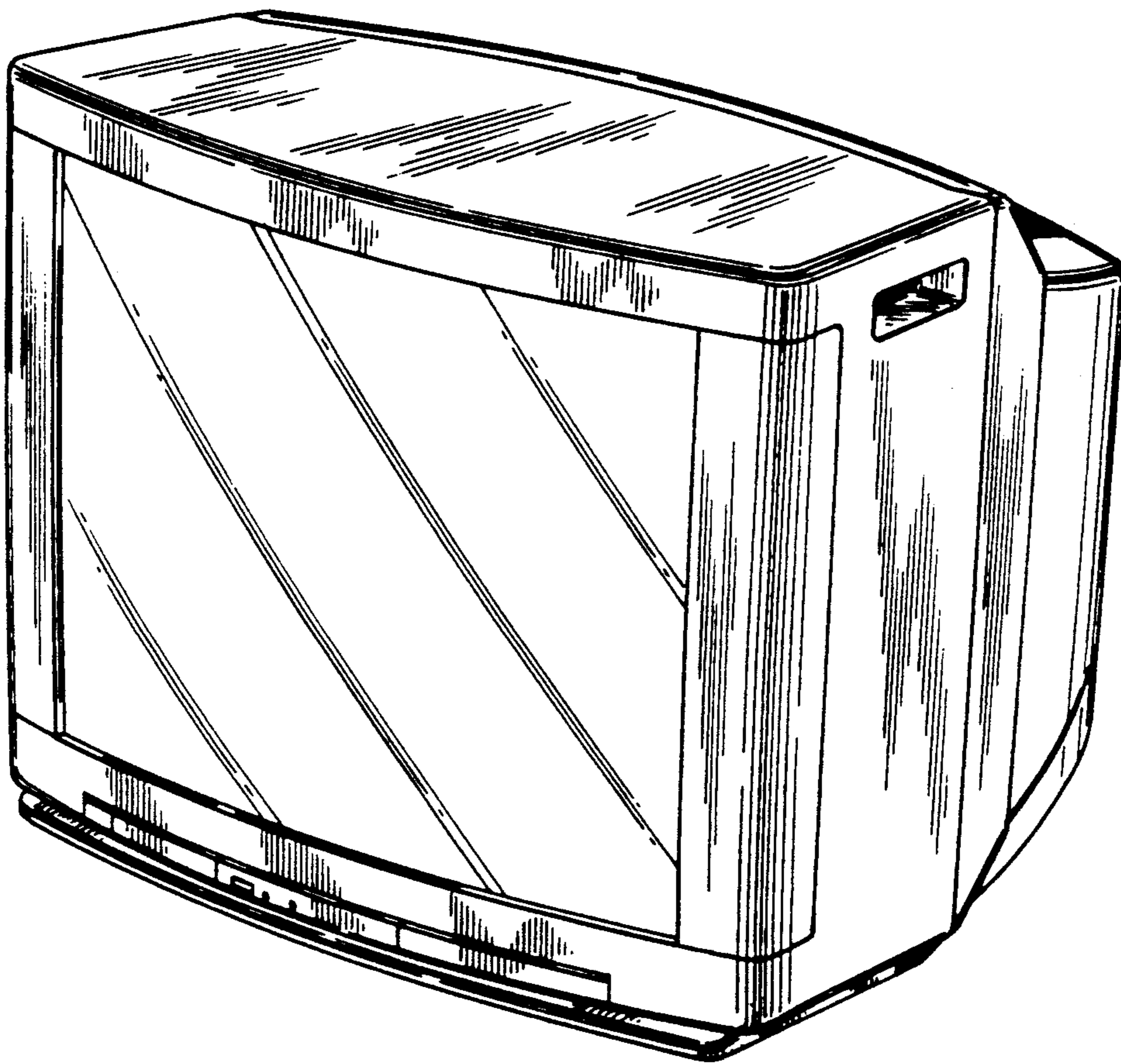


FIG. 2

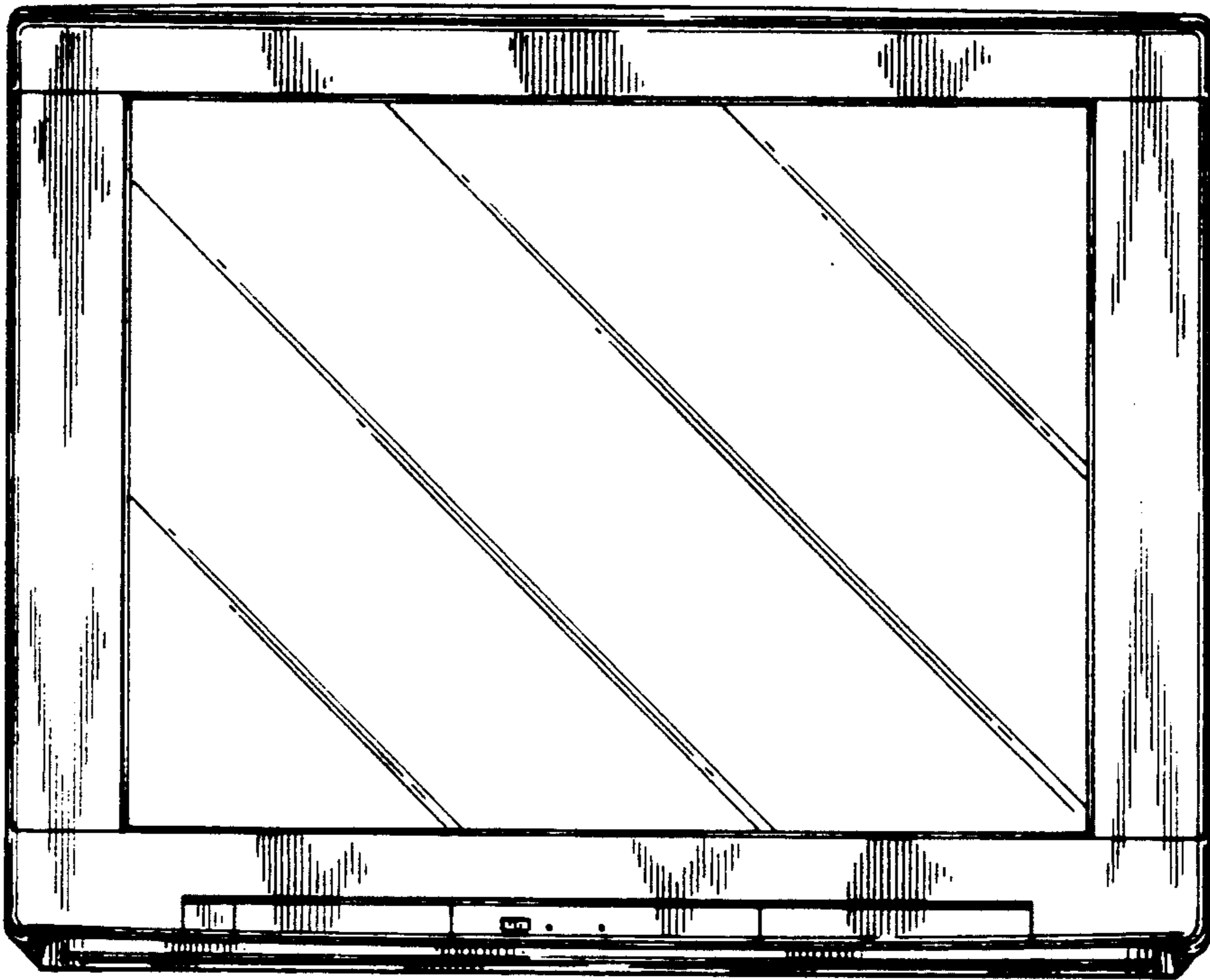


FIG. 3

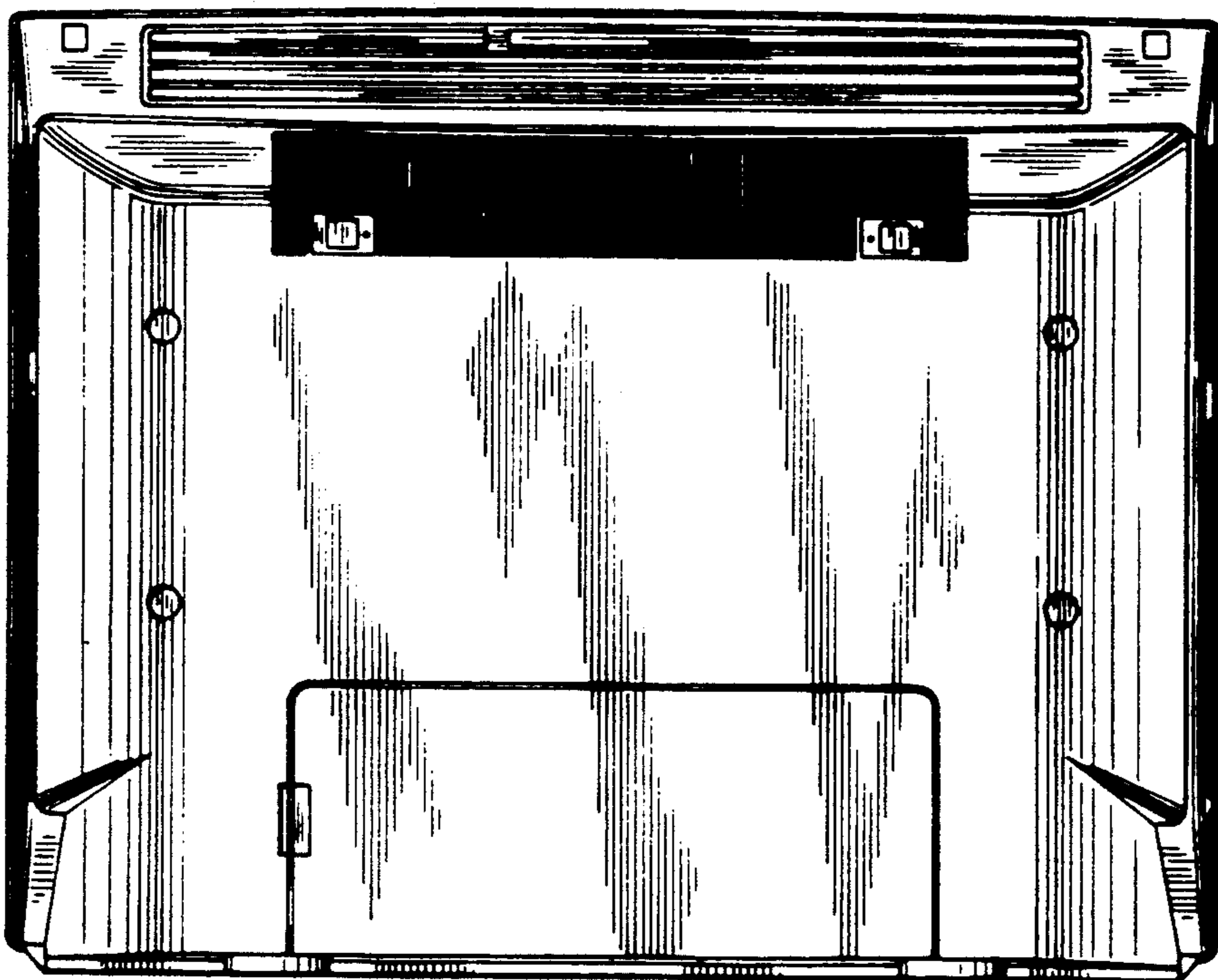


FIG. 4

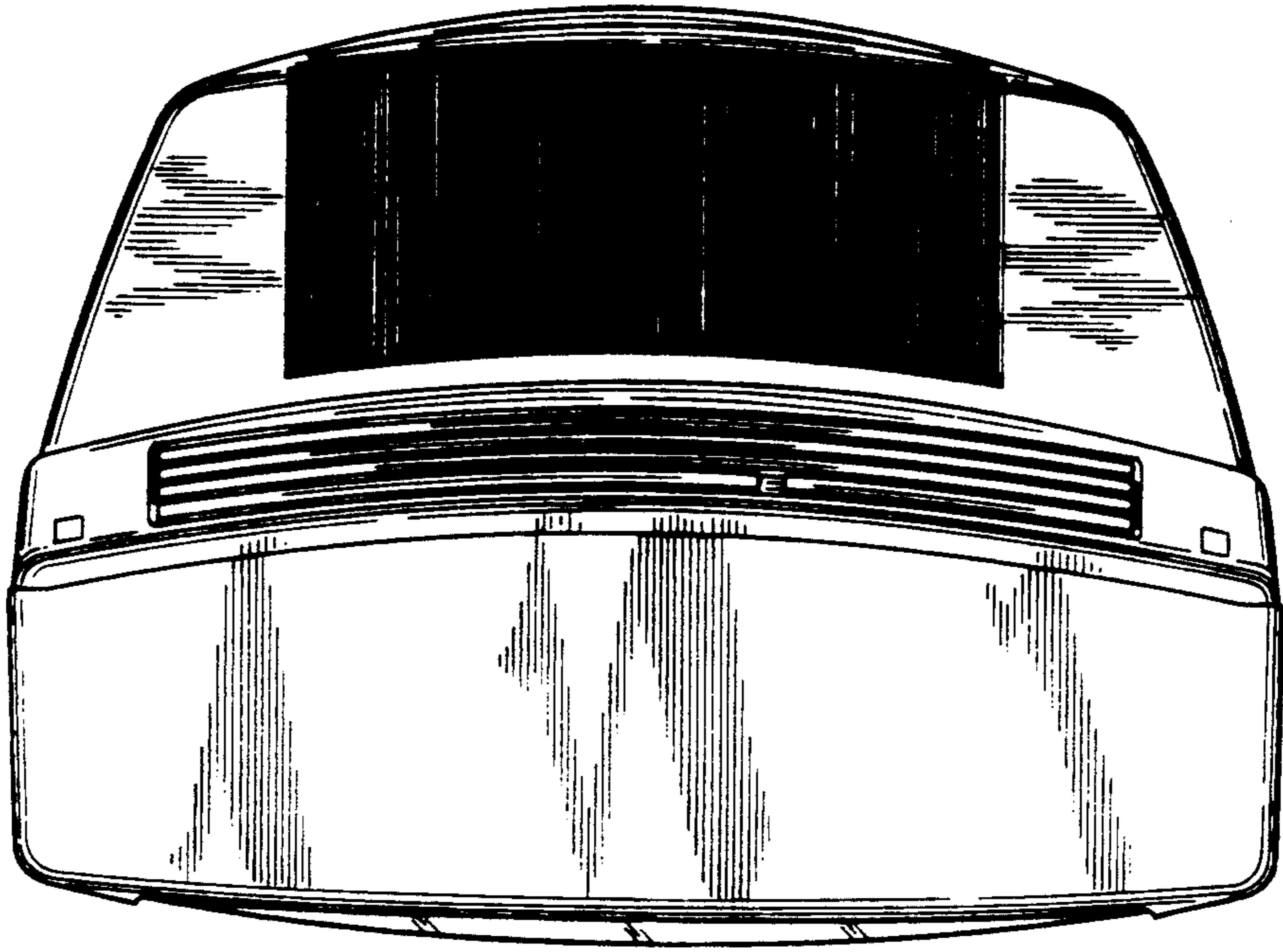


FIG. 5

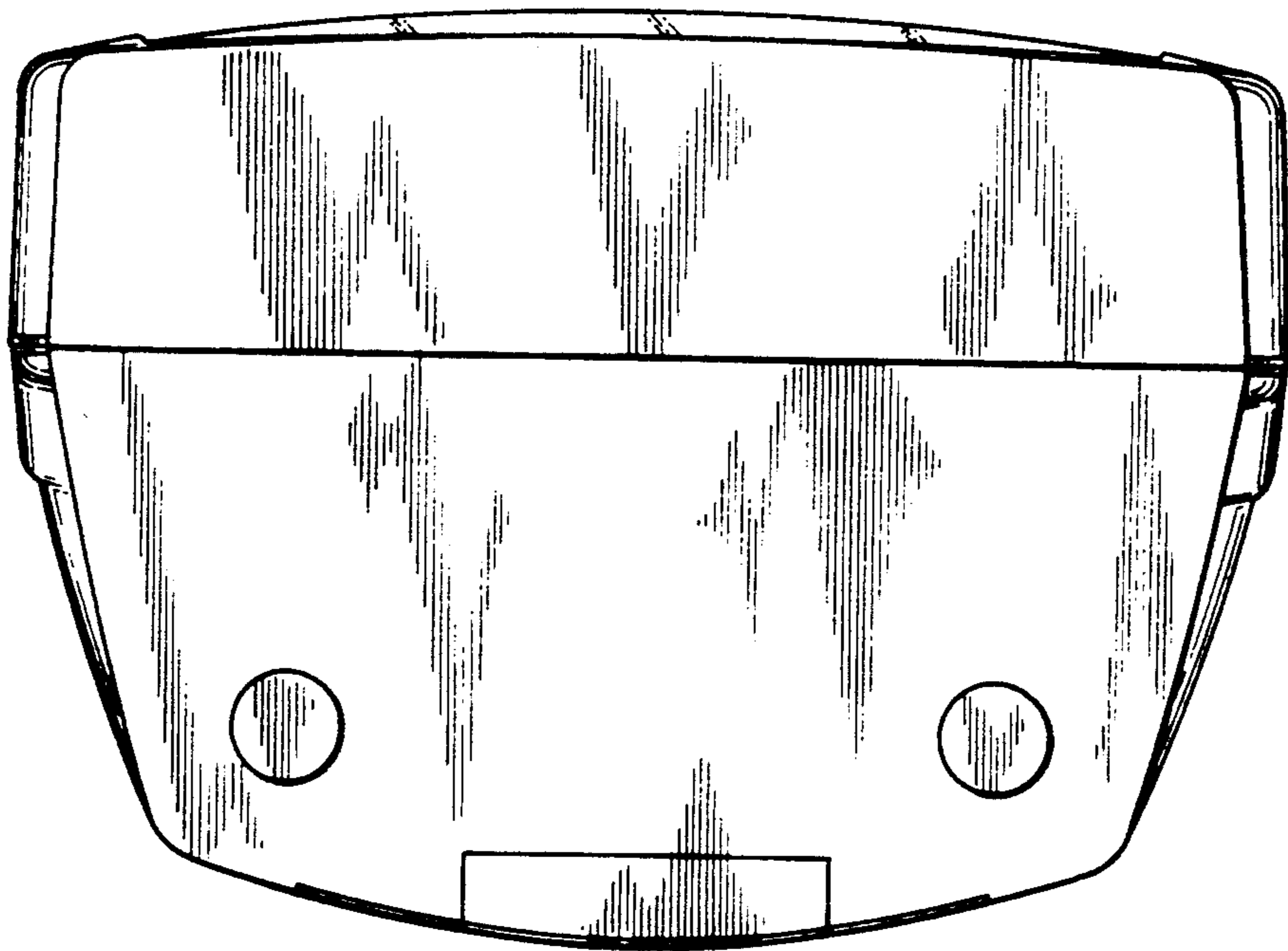


FIG. 6

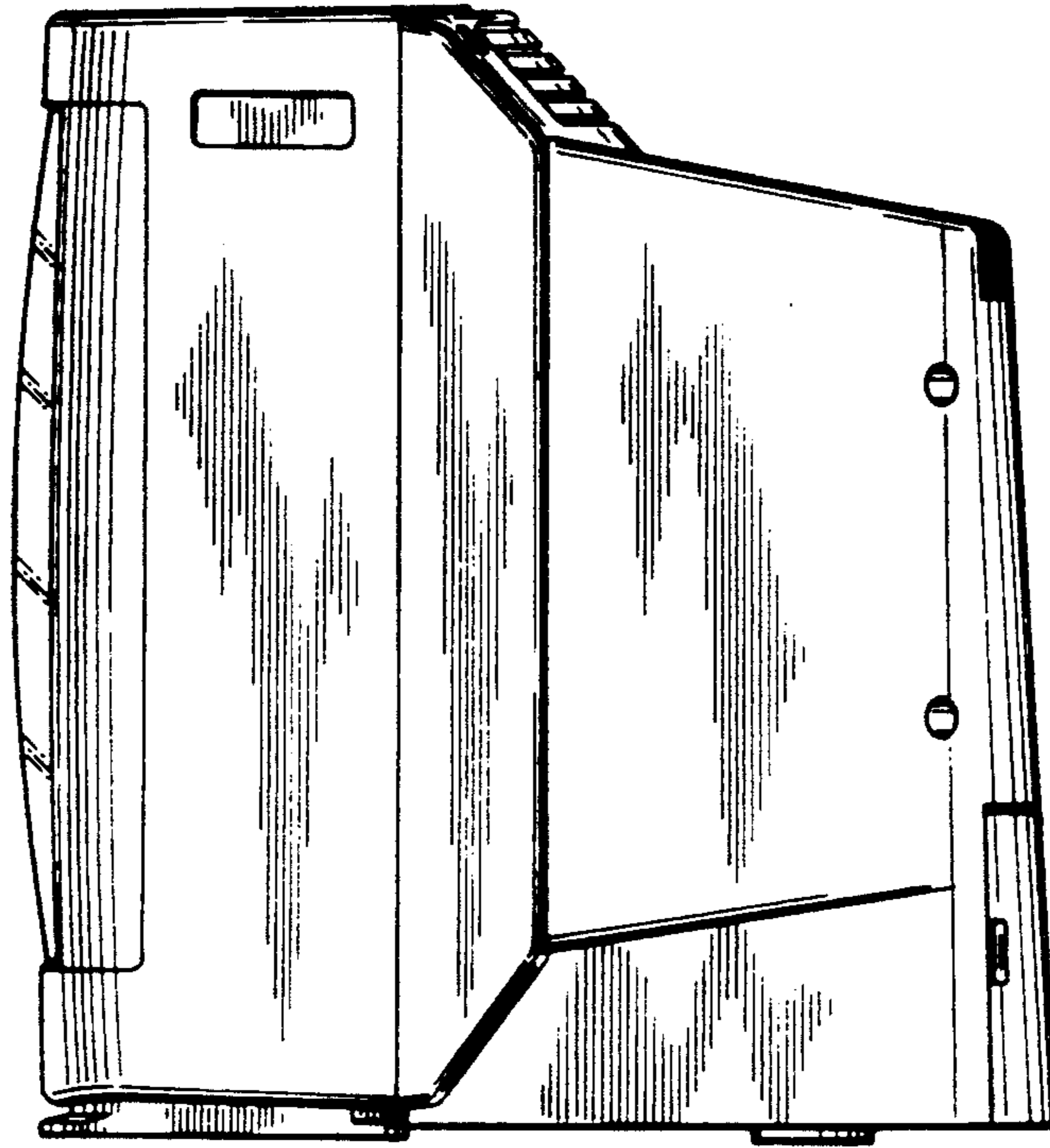


FIG. 7

