



US00D342493S

# United States Patent [19]

[11] Patent Number: **Des. 342,493**

Asanuma et al.

[45] Date of Patent: **\*\* Dec. 21, 1993**

[54] **TELEVISION RECEIVER**

[75] Inventors: **Toshikazu Asanuma, Osaka;**  
**Masakazu Nakamura, Hyogo, both**  
**of Japan**

[73] Assignee: **Matsushita Electric Industrial Co.,**  
**Ltd., Osaka, Japan**

[\*\*] Term: **14 Years**

[21] Appl. No.: **933,947**

[22] Filed: **Aug. 24, 1992**

[30] **Foreign Application Priority Data**

Mar. 10, 1992 [JP] Japan ..... 4-6830

[52] U.S. Cl. .... **D14/126**

[58] Field of Search ..... **D14/124-134,**  
**D14/299; 358/60, 237-239, 254-255; 312/7.2**

[56] **References Cited**

**U.S. PATENT DOCUMENTS**

D. 290,359 6/1987 Inoue et al. .... D14/126

D. 298,323 11/1988 Ariyoshi et al. .... D14/126  
D. 299,233 1/1989 Maki et al. .... D14/126  
D. 307,583 5/1990 Saito et al. .... D14/126  
D. 319,437 8/1991 Kurozumi et al. .... D14/126  
D. 335,665 5/1993 Althans et al. .... D14/126

*Primary Examiner*—Theodore M. Shooman  
*Attorney, Agent, or Firm*—Sughrue, Mion, Zinn,  
Macpeak & Seas

[57] **CLAIM**

The ornamental design for a television receiver, as shown.

**DESCRIPTION**

FIG. 1 is a front, top and right side perspective view of a television receiver showing our new design; FIG. 2 is a front elevational view thereof; FIG. 3 is a rear elevational view thereof; FIG. 4 is a right side elevational view thereof; FIG. 5 is a left side elevational view thereof; FIG. 6 is a top plan view thereof; and, FIG. 7 is a bottom plan view thereof.

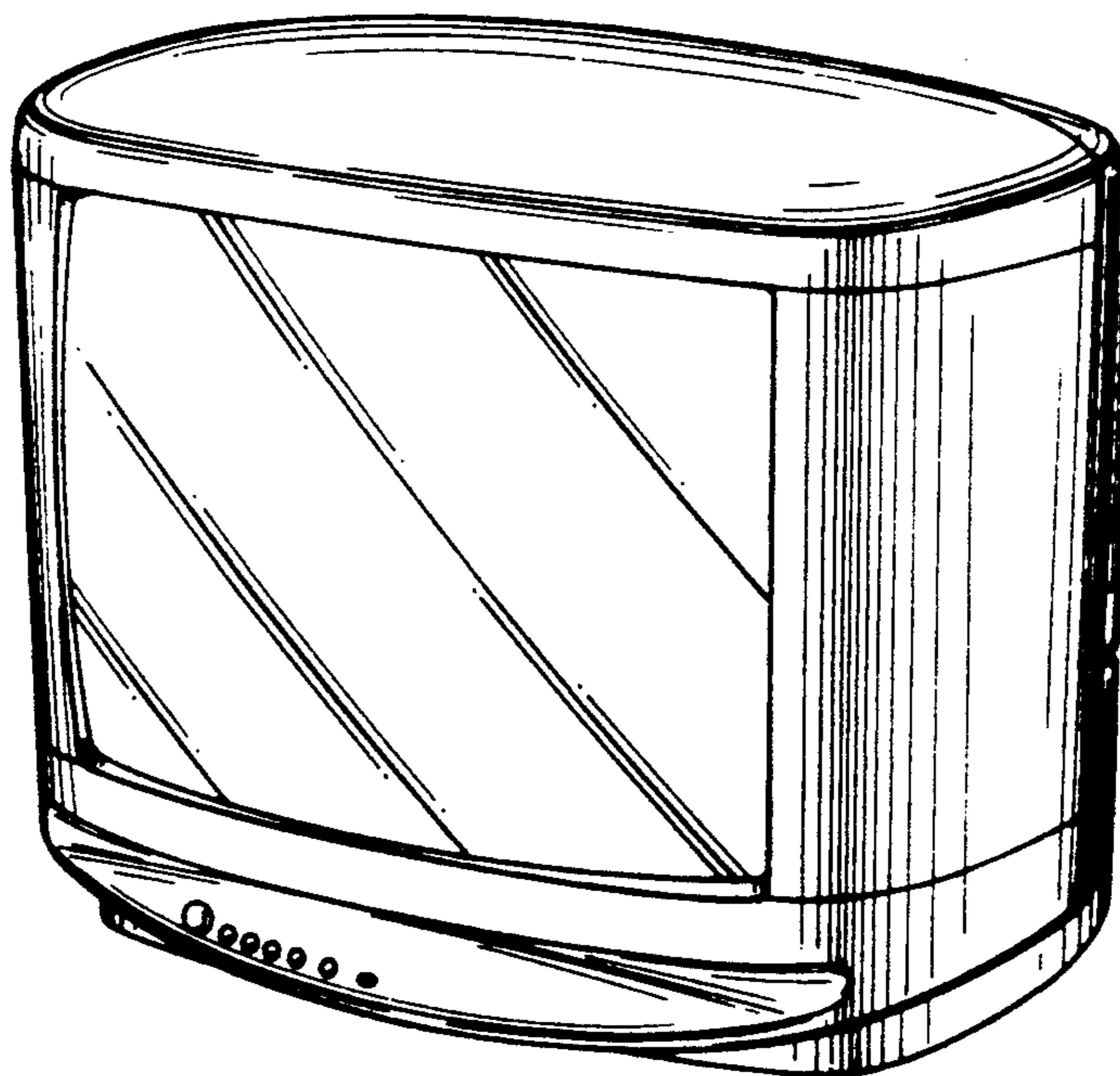


FIG. 1

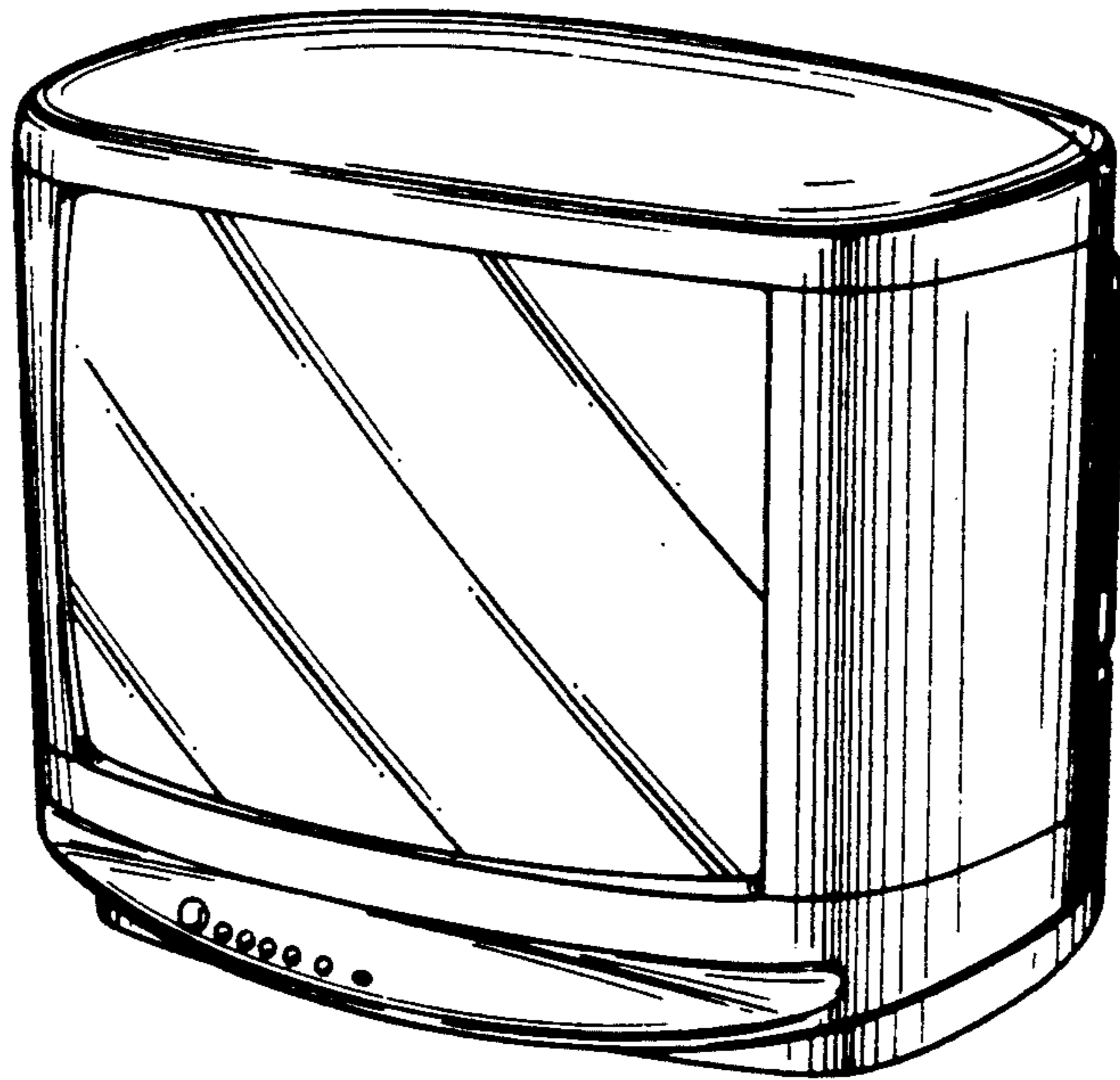


FIG. 2

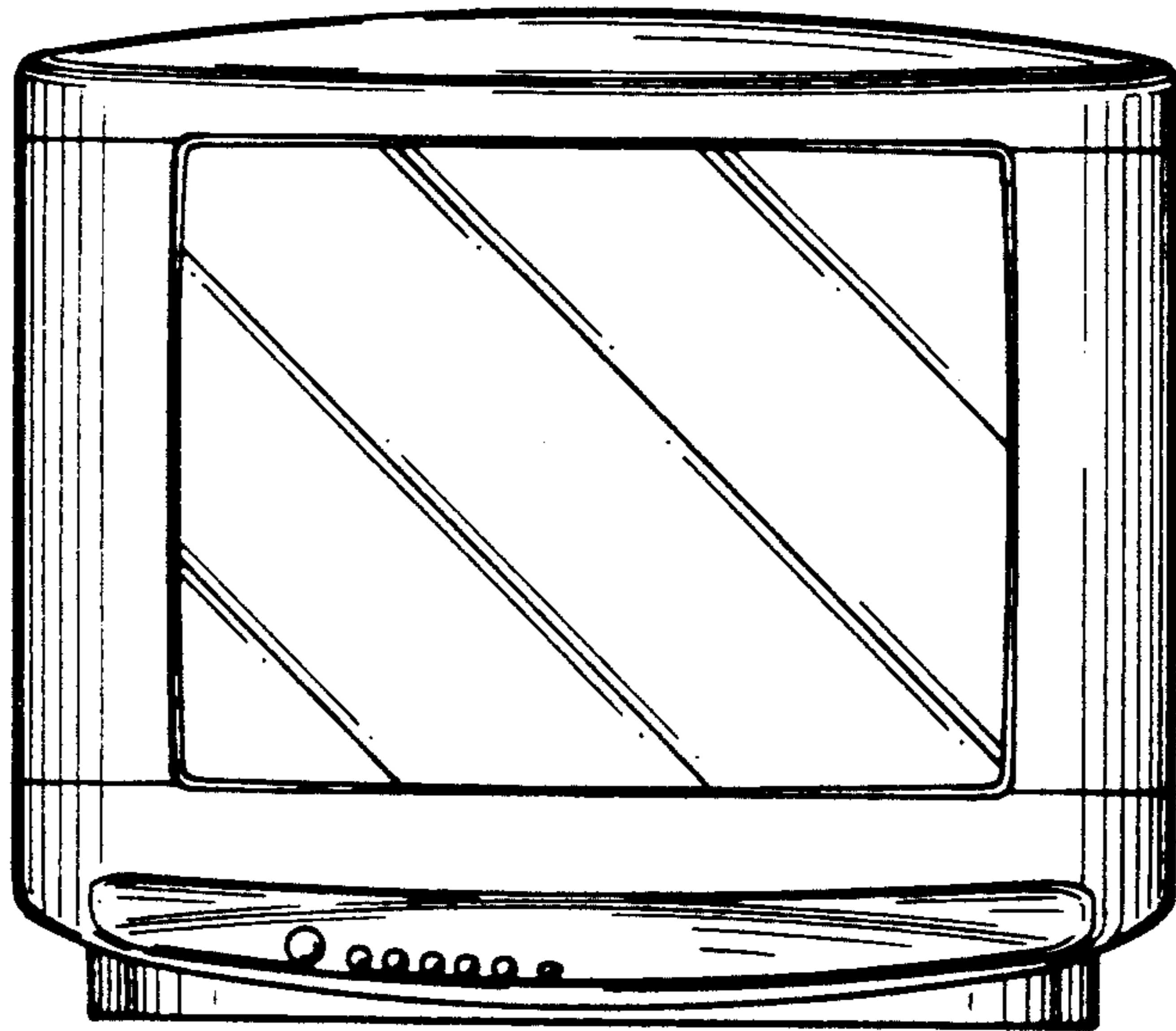
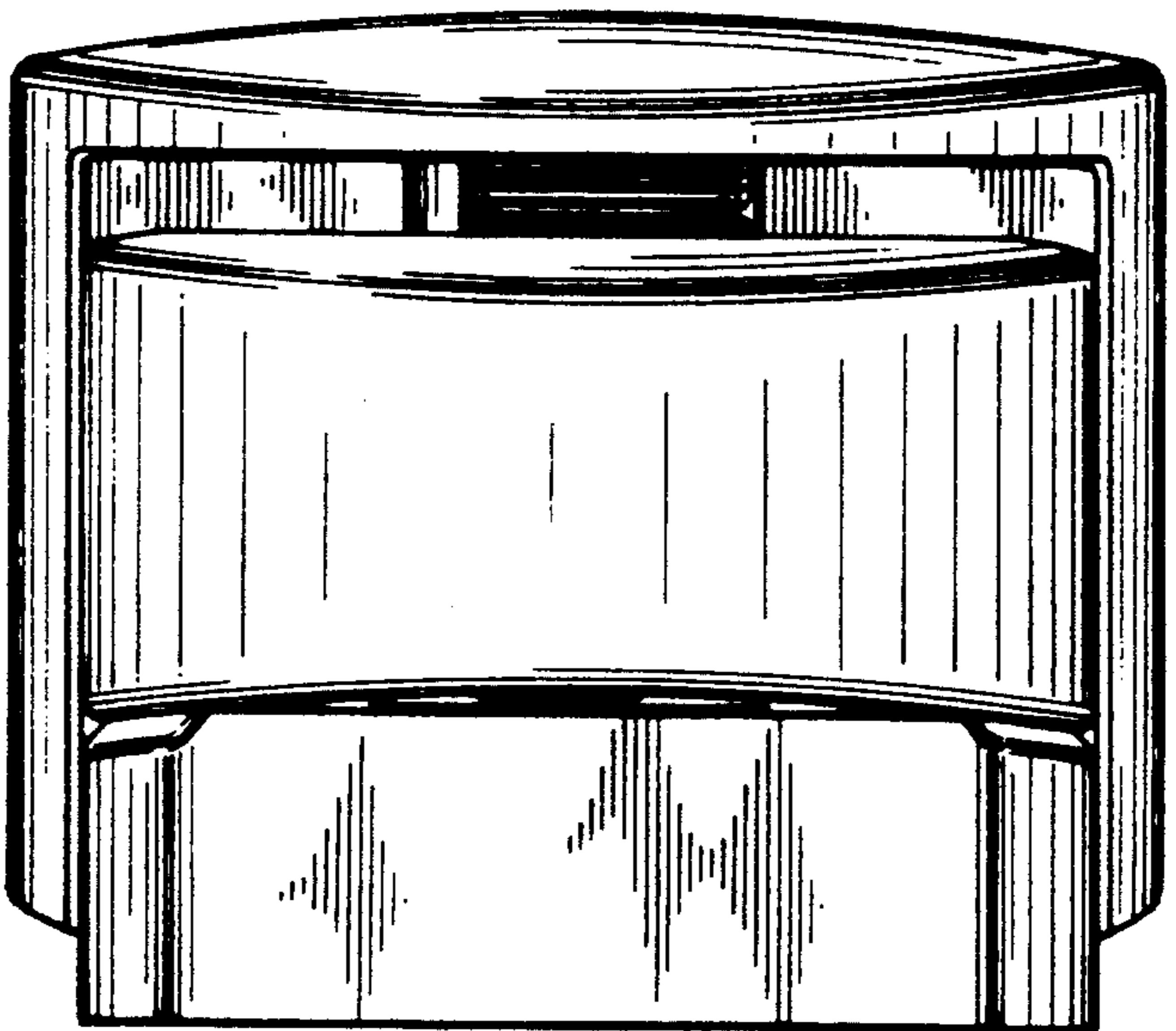
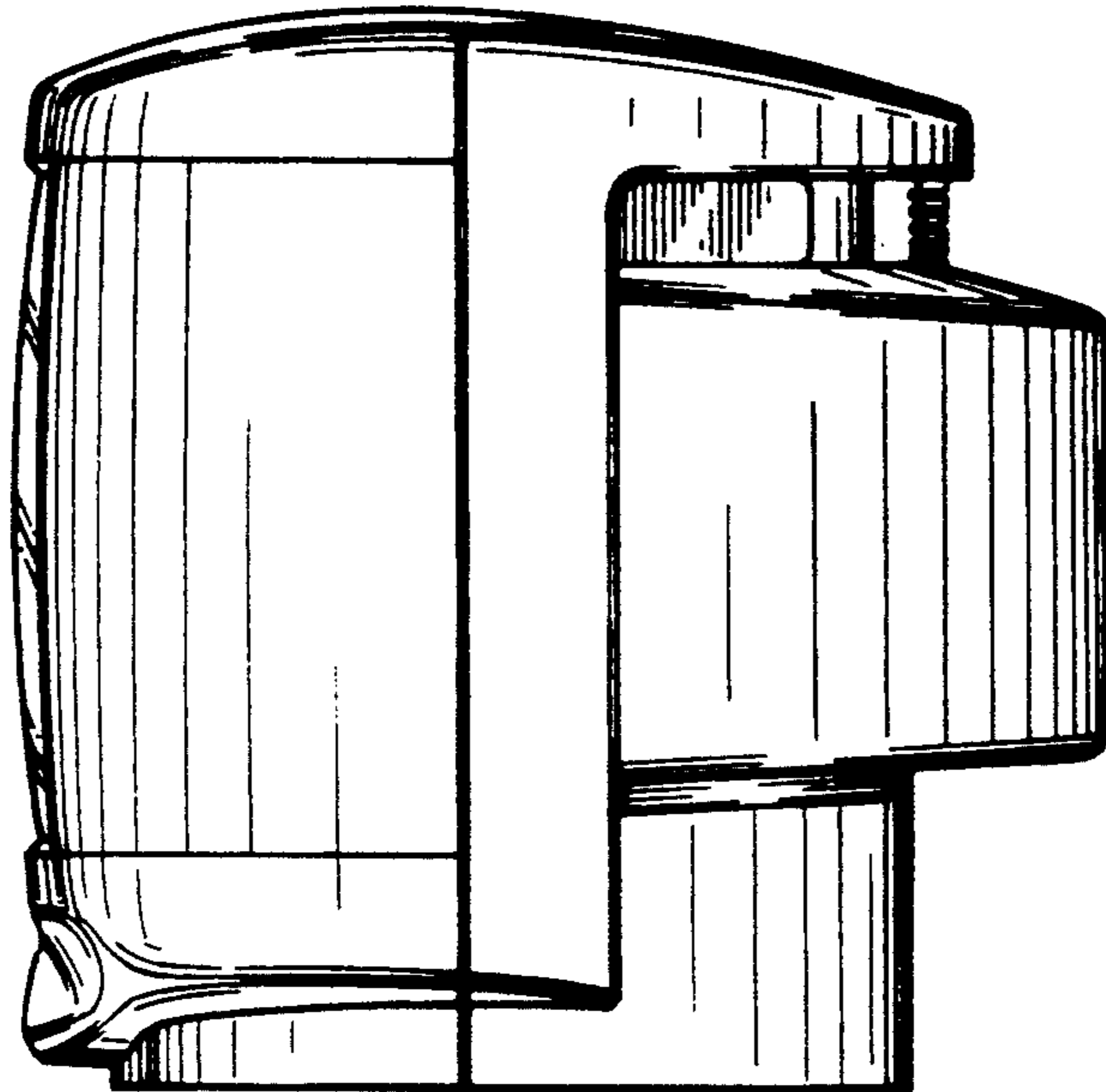


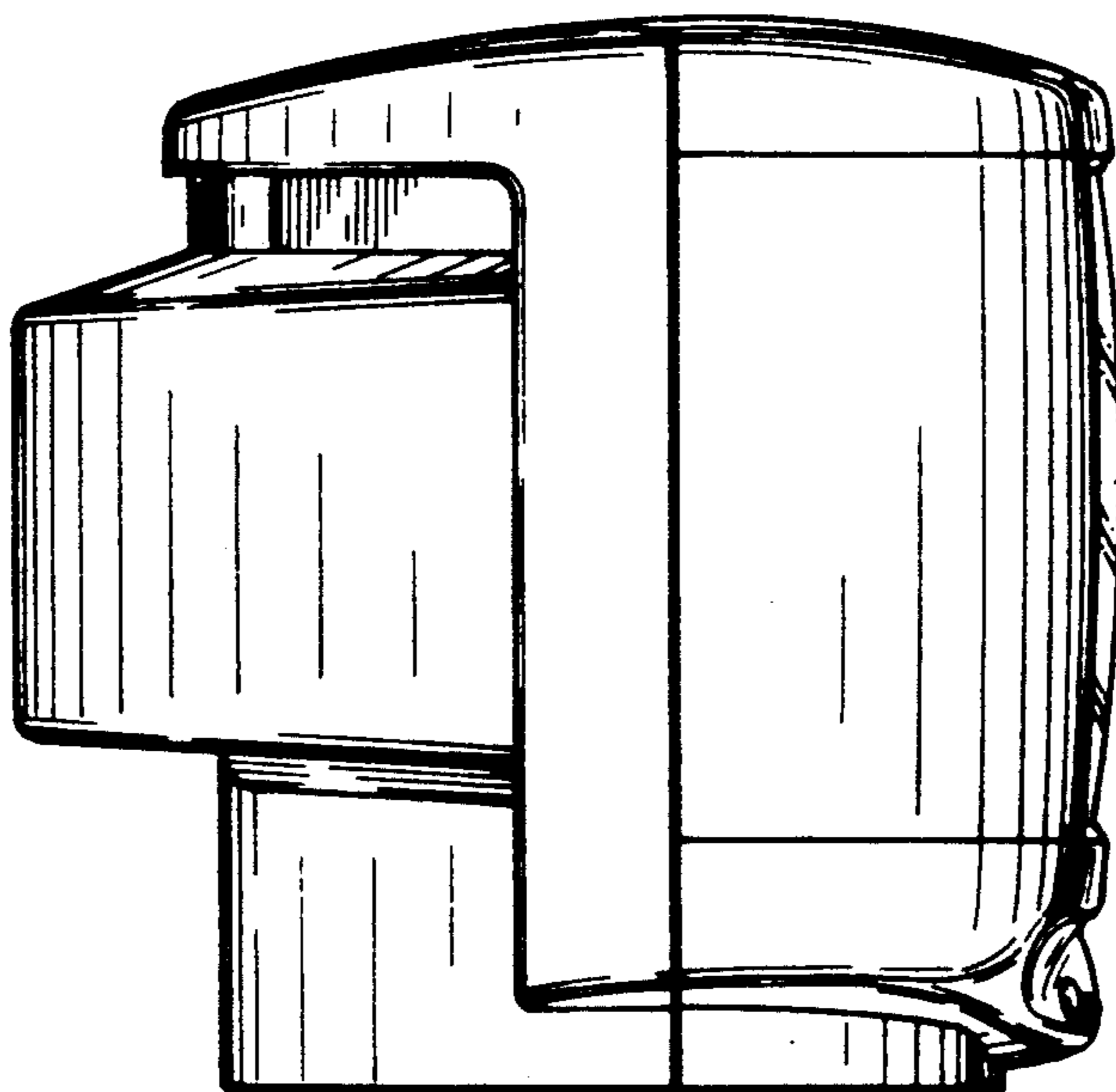
FIG. 3



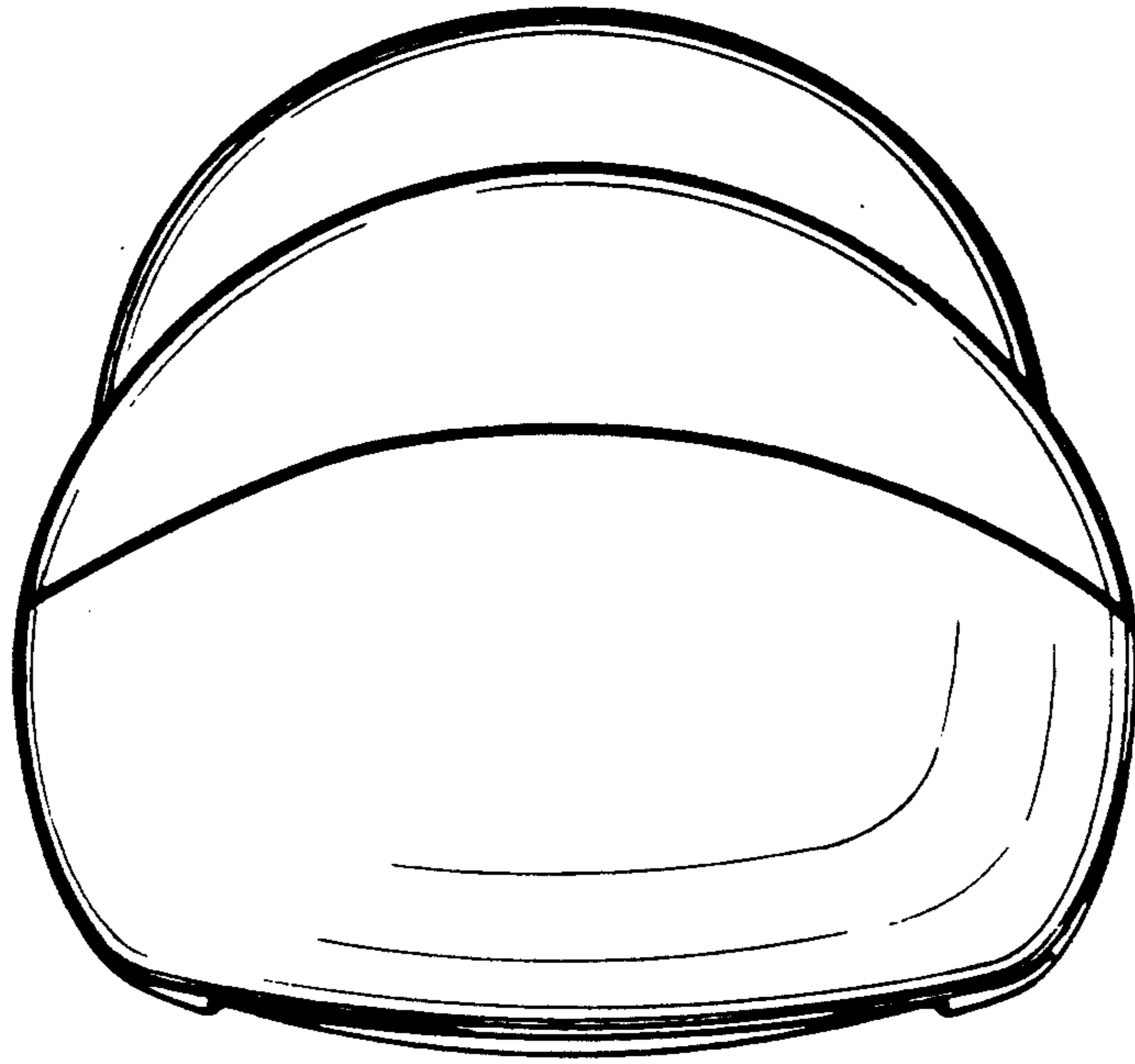
*FIG. 4*



*FIG. 5*



*FIG. 6*



*FIG. 7*

