



US00D342491S

United States Patent [19]

[11] Patent Number: **Des. 342,491**

Doran et al.

[45] Date of Patent: **** Dec. 21, 1993**

[54] **OPTICAL SCANNER**

[75] Inventors: **Robert Doran; Hal Charych**, both of Setauket, N.Y.

[73] Assignee: **Symbol Technologies, Inc.**, Bohemia, N.Y.

[**] Term: **14 Years**

[21] Appl. No.: **918,742**

[22] Filed: **Jul. 27, 1992**

[52] U.S. Cl. **D14/116**

[58] Field of Search **D14/114, 116; 235/375, 235/378, 385, 454, 462, 472, 486; 354/80-82; 382/58-69; 250/203.1, 216, 566, 568; D26/37, 45, 50**

[56] **References Cited**

U.S. PATENT DOCUMENTS

D. 308,865 6/1990 Weaver et al. D14/116

D. 320,013 9/1991 Siemiatkowski et al. D14/116
D. 334,922 4/1993 Meyerson et al. D14/116
D. 337,316 7/1993 Ruiten D14/116 X
4,760,248 7/1988 Swartz et al. 235/472

Primary Examiner—Wallace R. Burke

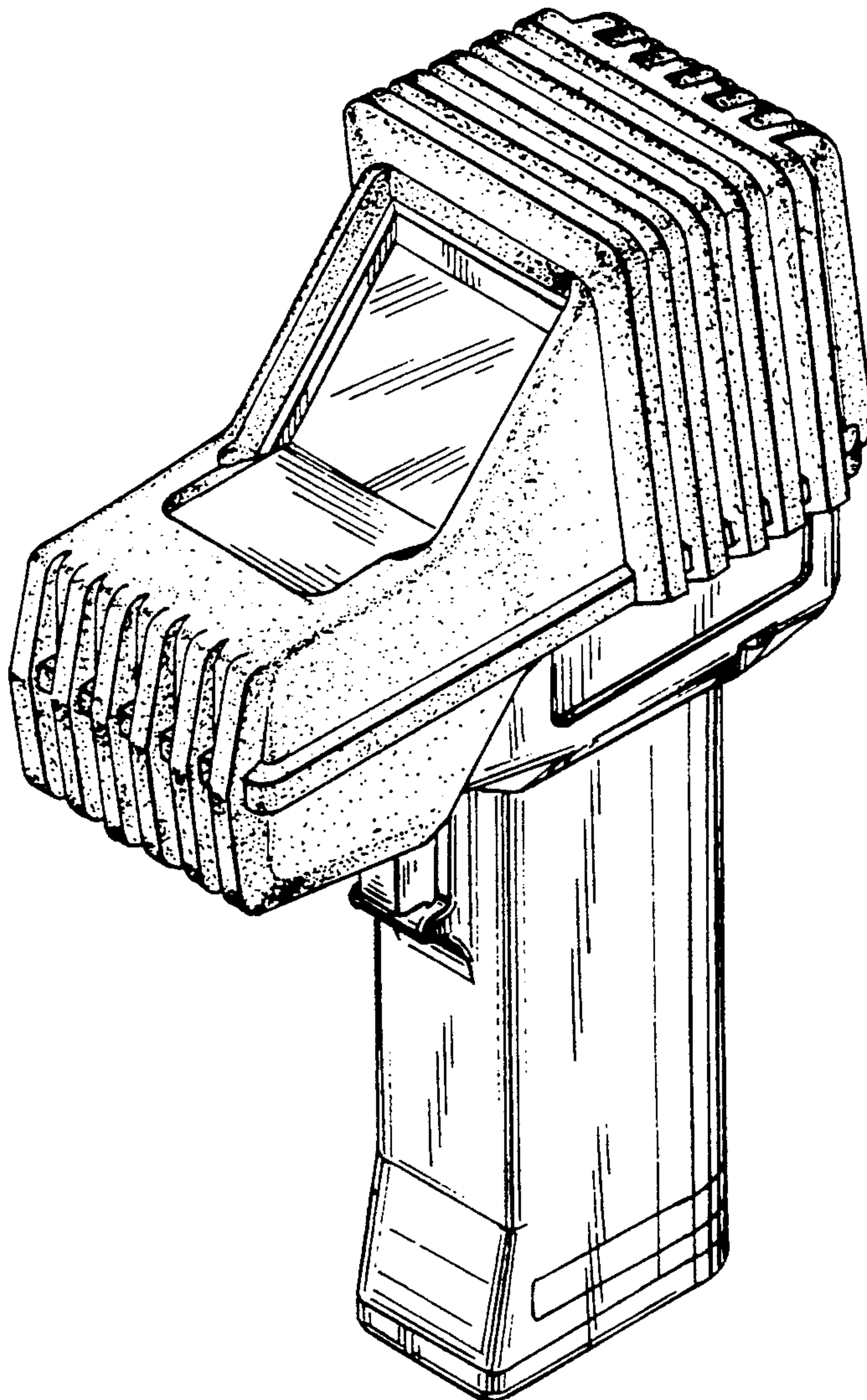
Assistant Examiner—M. H. Tung

[57] **CLAIM**

The ornamental design for a optical scanner, as shown and described.

DESCRIPTION

FIG. 1 is a top, front, left side perspective view of an optical scanner showing our new design; FIG. 2 is an top plan view thereof; FIG. 3 is an front elevational view thereof; FIG. 4 is an left side elevational view thereof; FIG. 5 is an right side elevational view thereof; FIG. 6 is an rear elevational view thereof; and, FIG. 7 is an bottom plan view thereof.



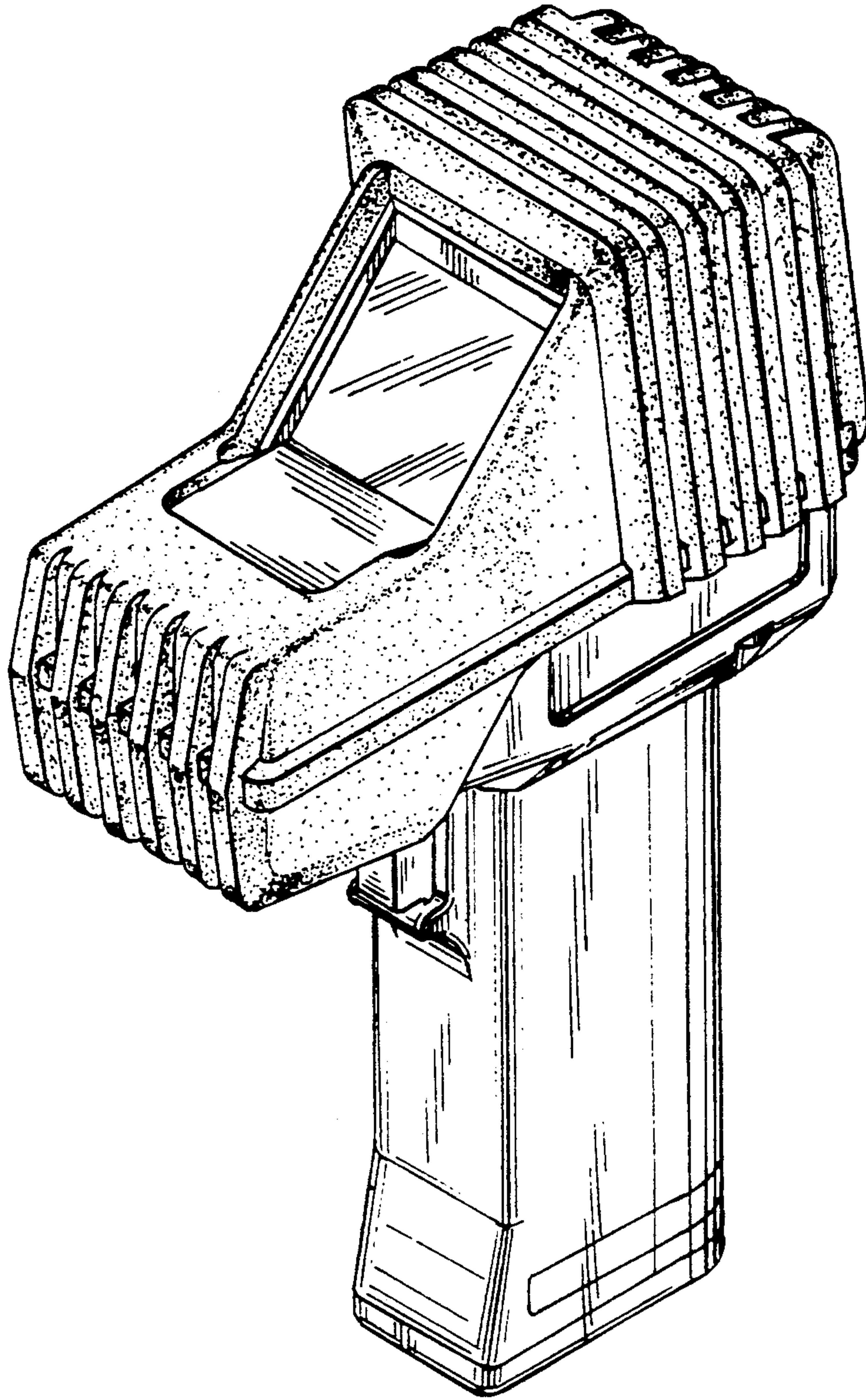


FIG. 1

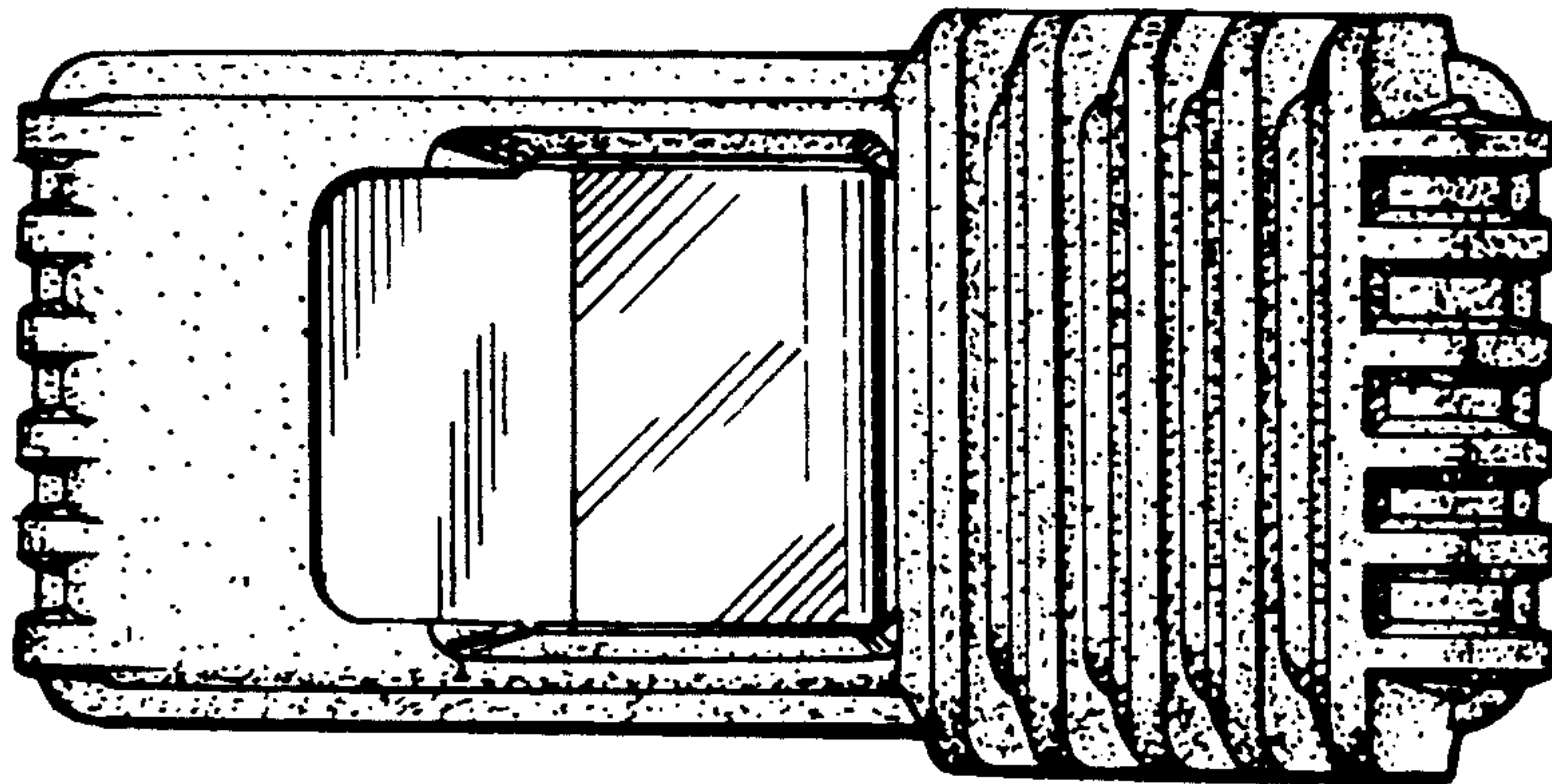


FIG. 2

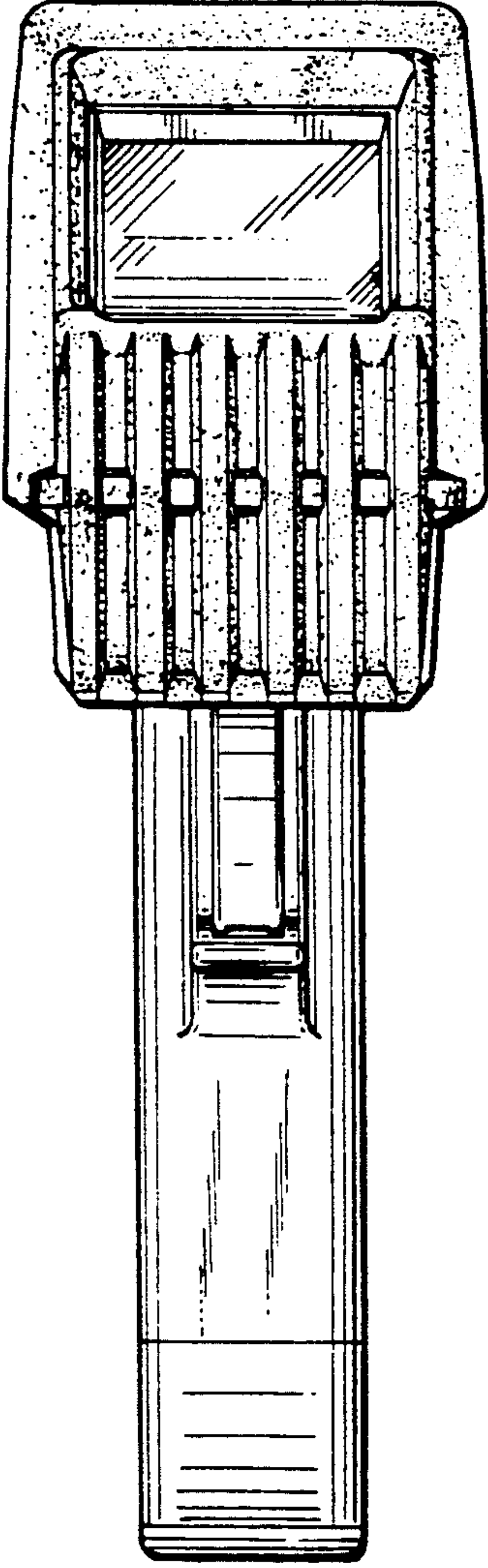


FIG.3

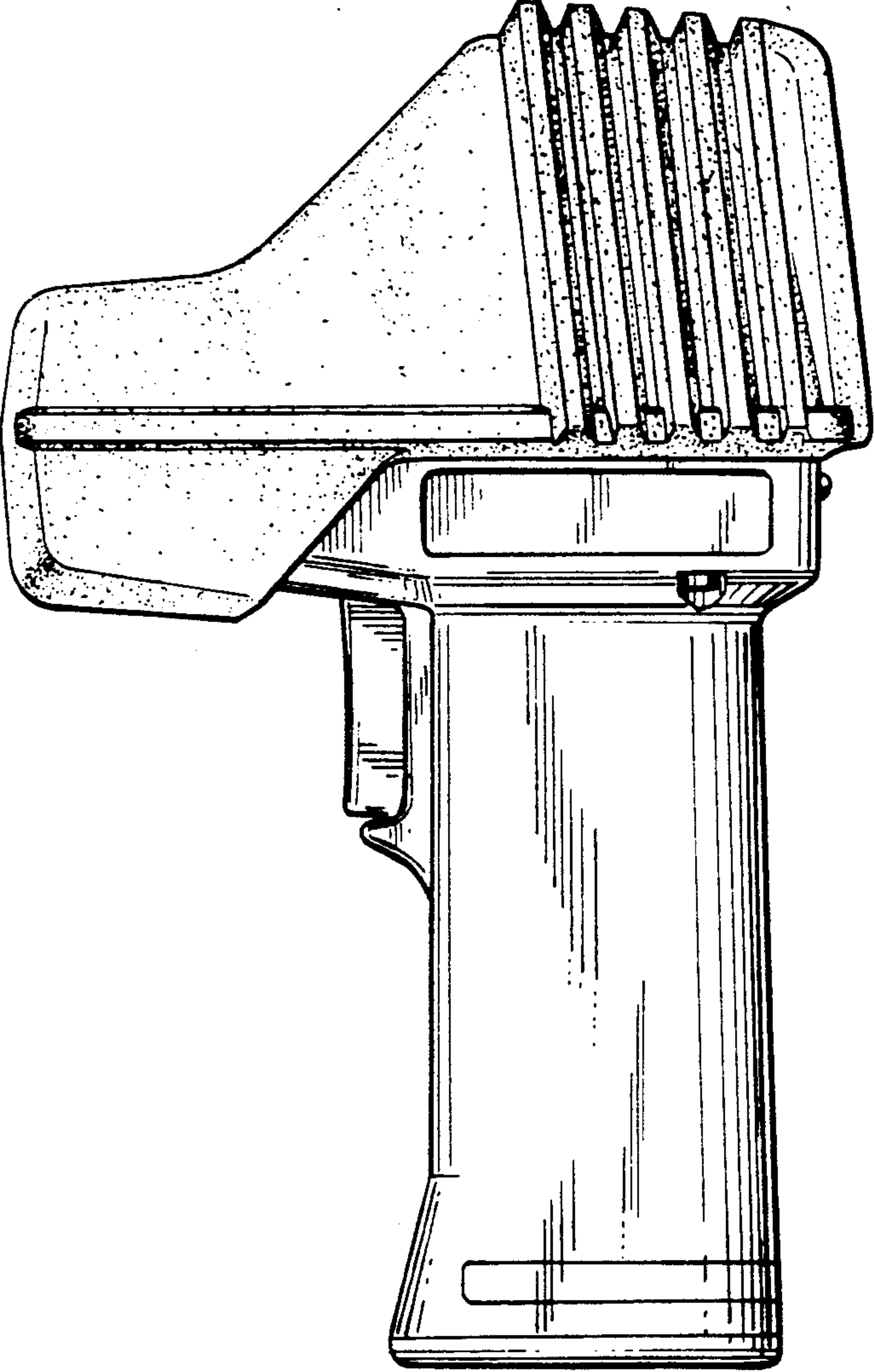


FIG.4

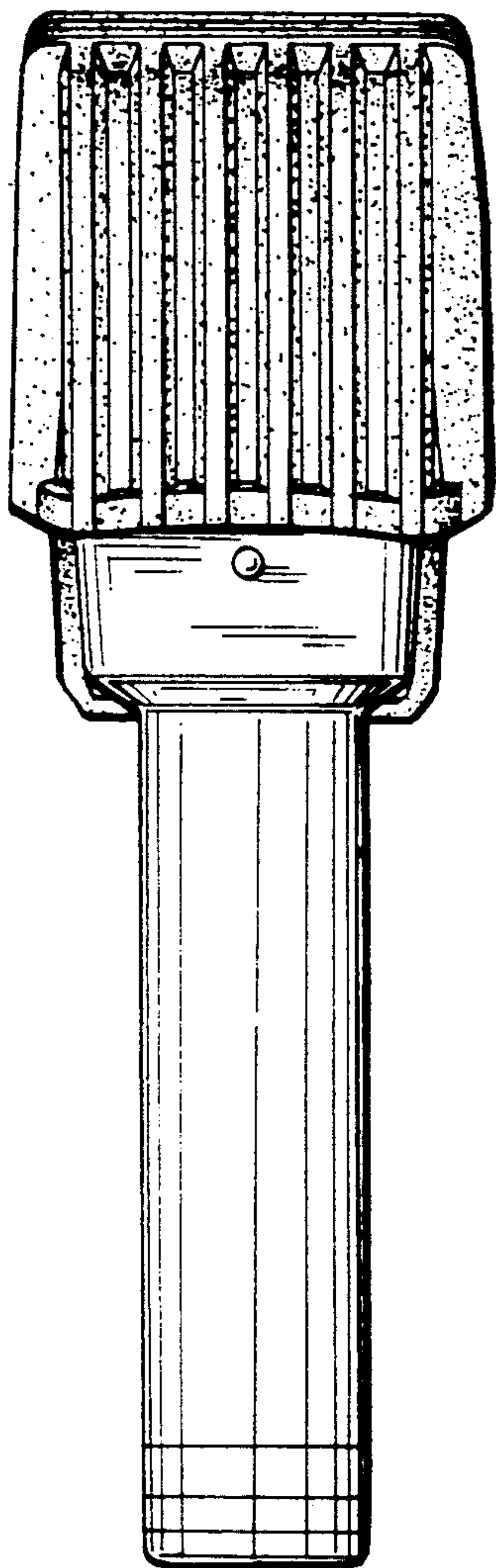


FIG. 5

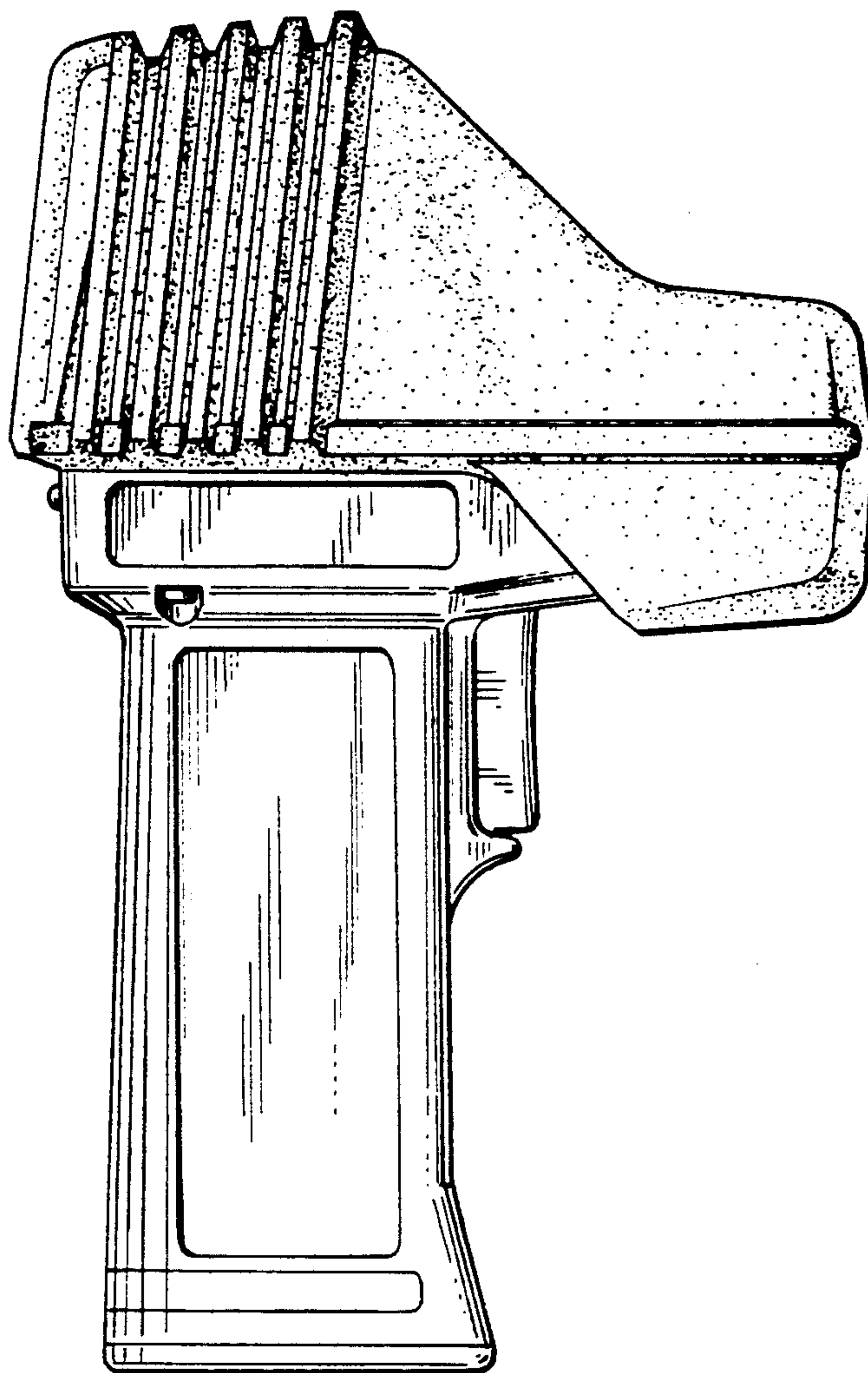


FIG. 6

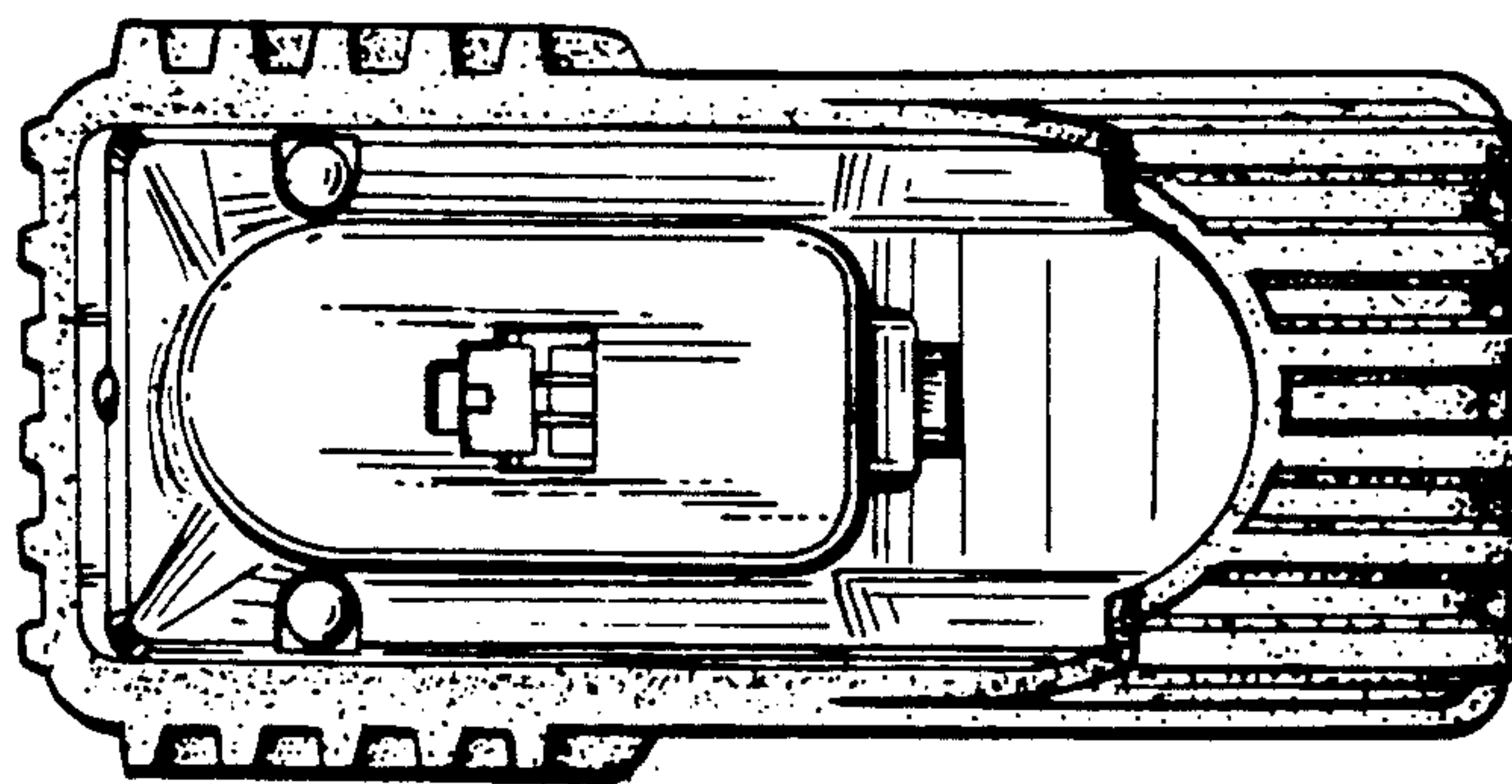


FIG. 7