



US00D342490S

United States Patent [19]

[11] Patent Number: **Des. 342,490**

Tzu-Chin

[45] Date of Patent: **** Dec. 21, 1993**

[54] **OPTICAL SCANNER**

D. 306,855 3/1990 Kubota et al. D14/116
D. 307,749 5/1990 Kubota et al. D14/116

[75] Inventor: **Huang Tzu-Chin, Hsien, Taiwan**

Primary Examiner—Wallace R. Burke

[73] Assignee: **Silitek Corporation, Taipei, Taiwan**

Assistant Examiner—M. H. Tung

[**] Term: **14 Years**

Attorney, Agent, or Firm—Lowe, Price, LeBlanc & Becker

[21] Appl. No.: **864,063**

[57] **CLAIM**

[22] Filed: **Apr. 6, 1992**

The ornamental design for an optical scanner, as shown.

[52] U.S. Cl. **D14/116**

DESCRIPTION

[58] **Field of Search** D14/100, 114, 116;
235/375, 378, 385, 454, 462, 472, 486;
354/80-82; 382/58-69; 250/203.1, 216, 566,
568; D26/37, 45, 50

FIG. 1 is the perspective view of a design for optical scanner showing my design;

FIG. 2 is a left side elevational view thereof;

FIG. 3 is the right side elevational view thereof;

FIG. 4 is the front elevational view thereof;

FIG. 5 is the rear elevational view thereof;

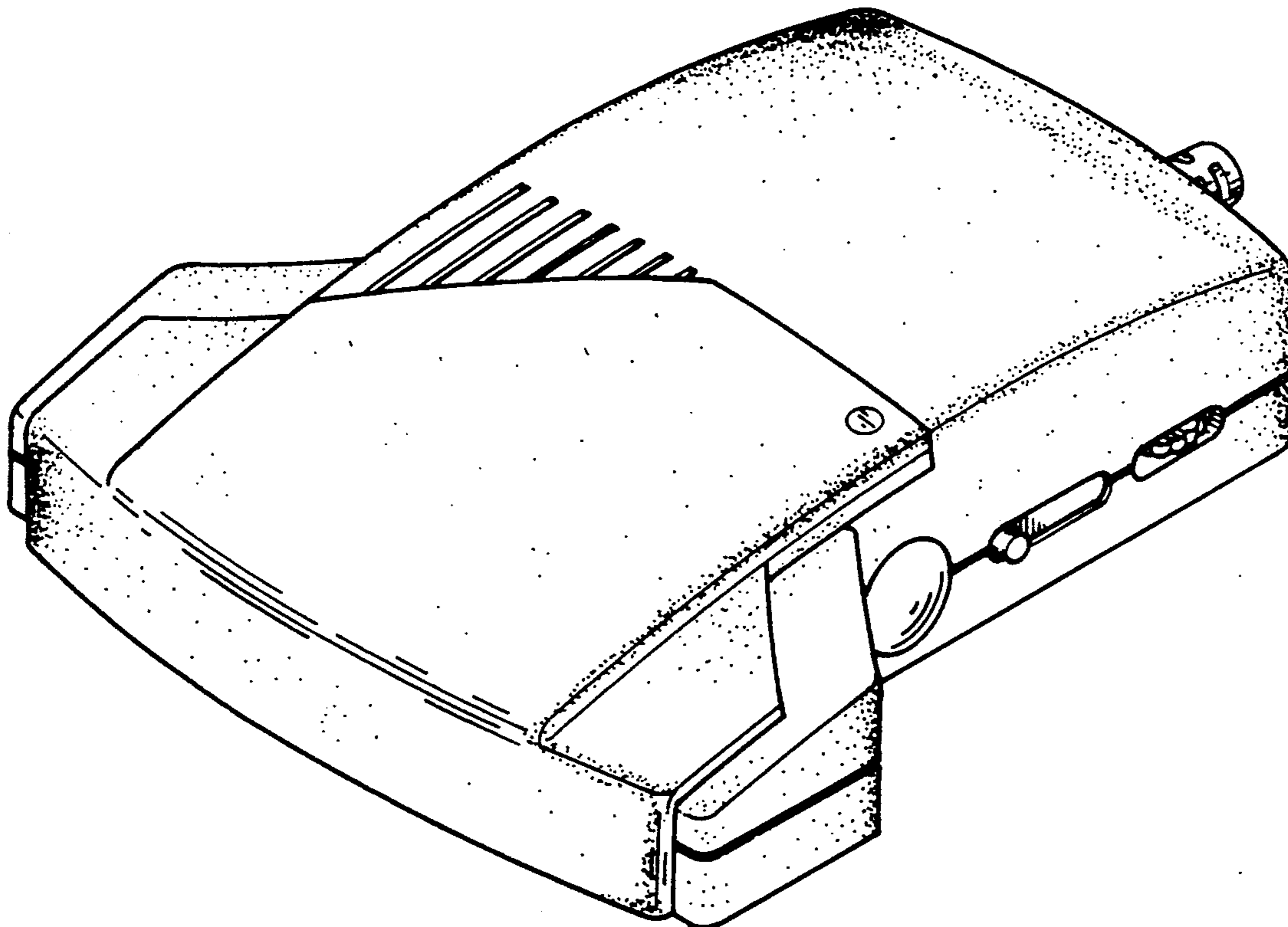
FIG. 6 is the top plan view thereof; and,

FIG. 7 is the bottom plan view thereof.

[56] **References Cited**

U.S. PATENT DOCUMENTS

D. 304,827 11/1989 Kubota D14/116



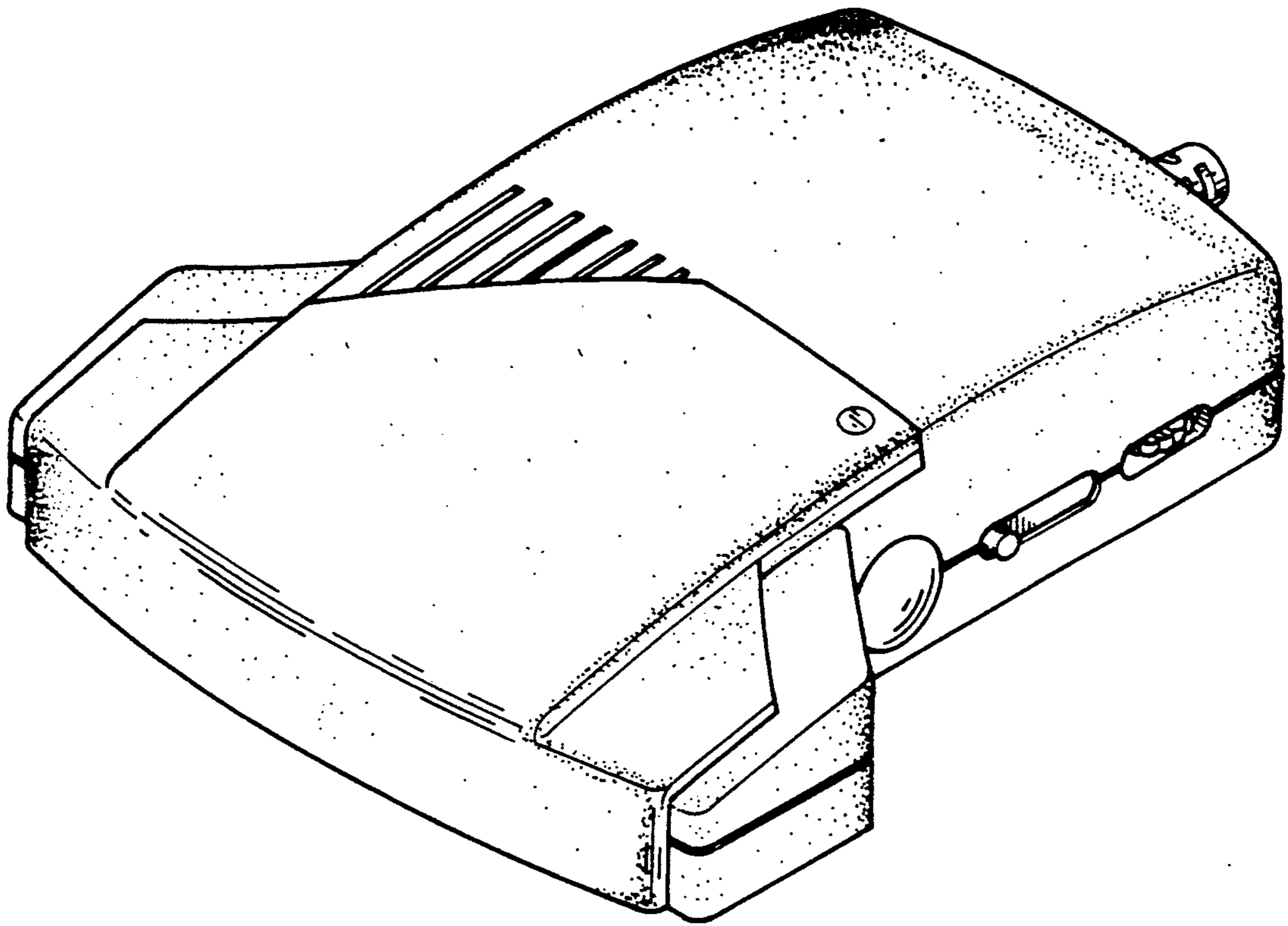


FIG. 1

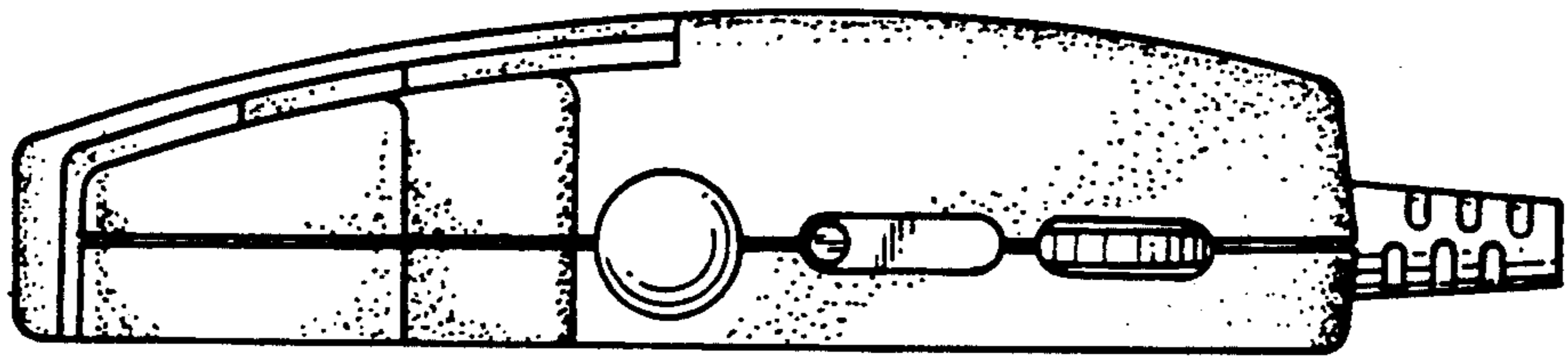


FIG. 2

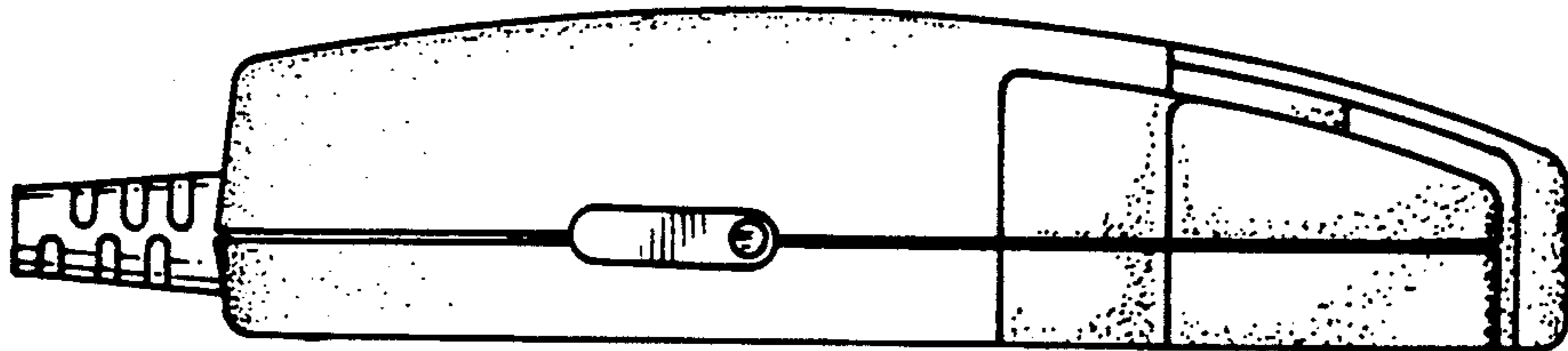


FIG. 3

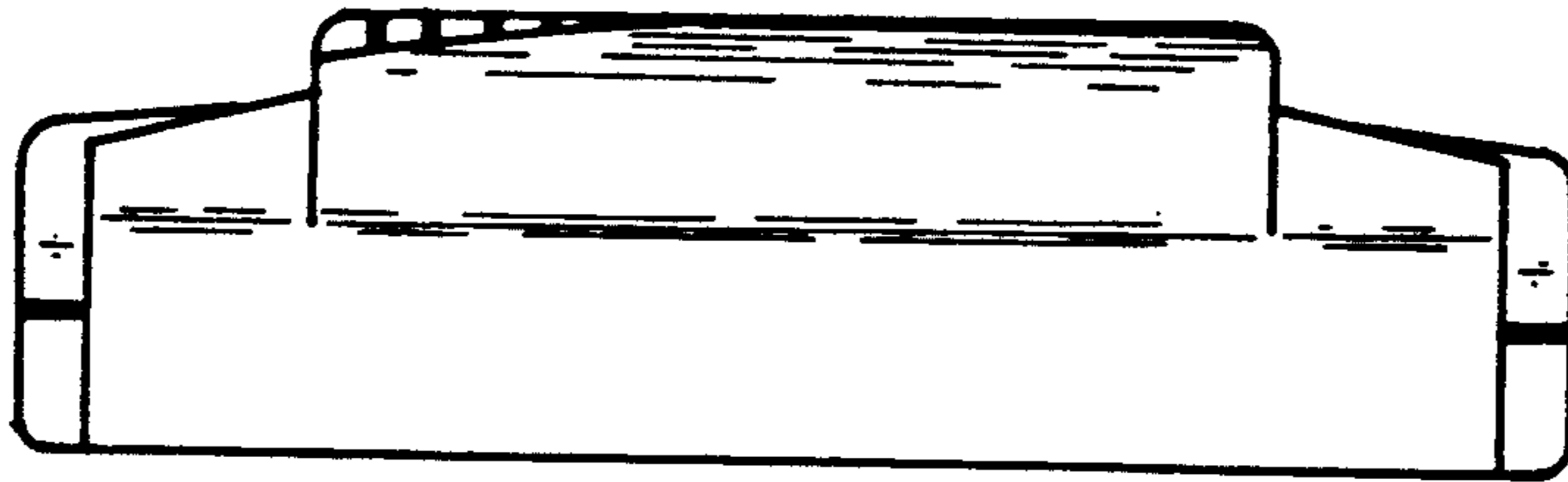


FIG. 4

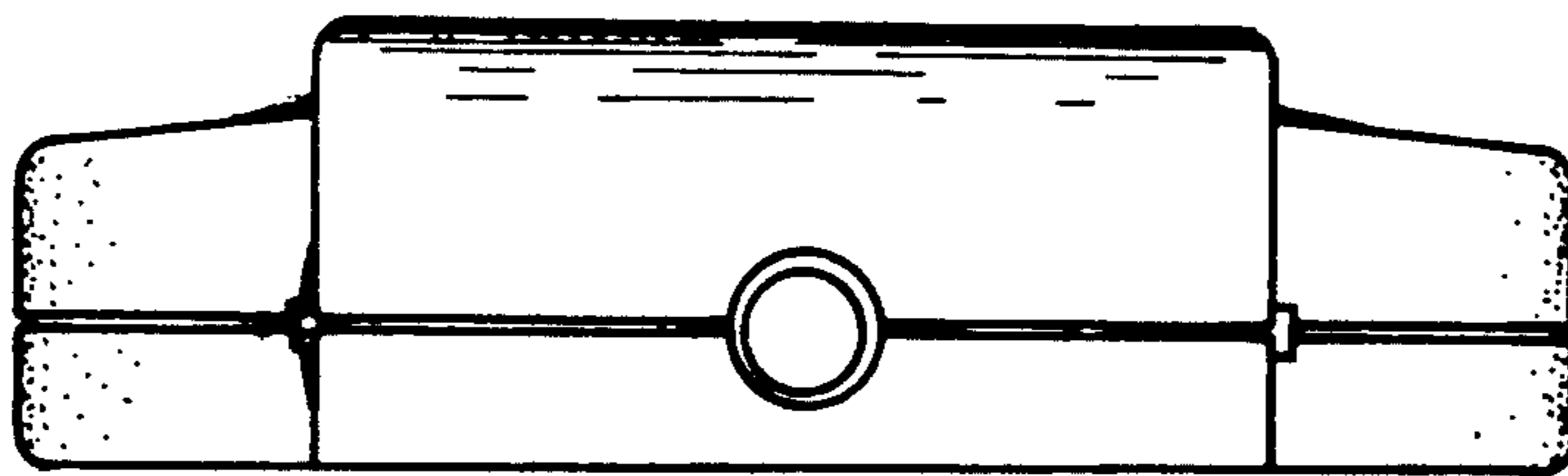


FIG. 5

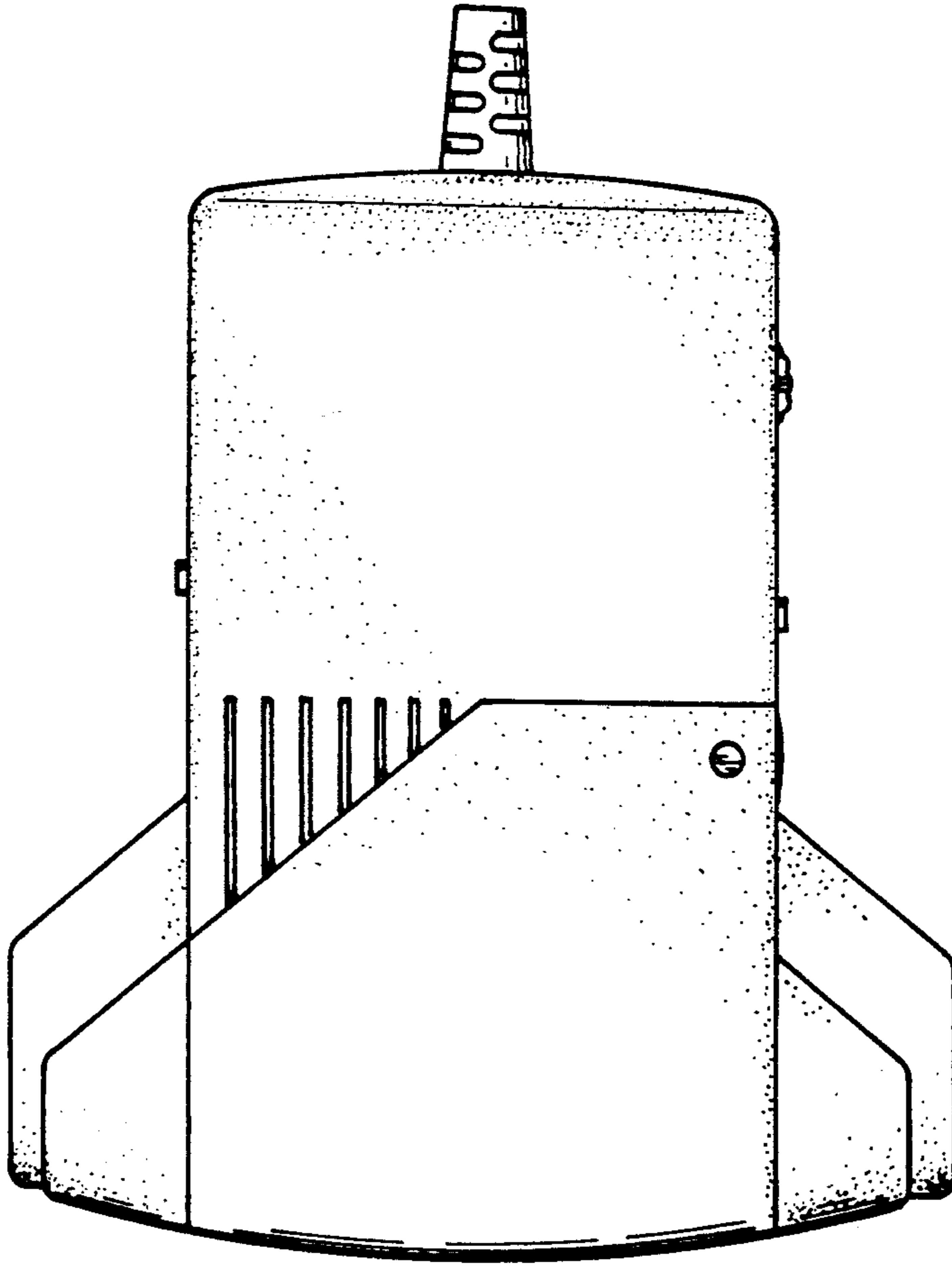


FIG. 6

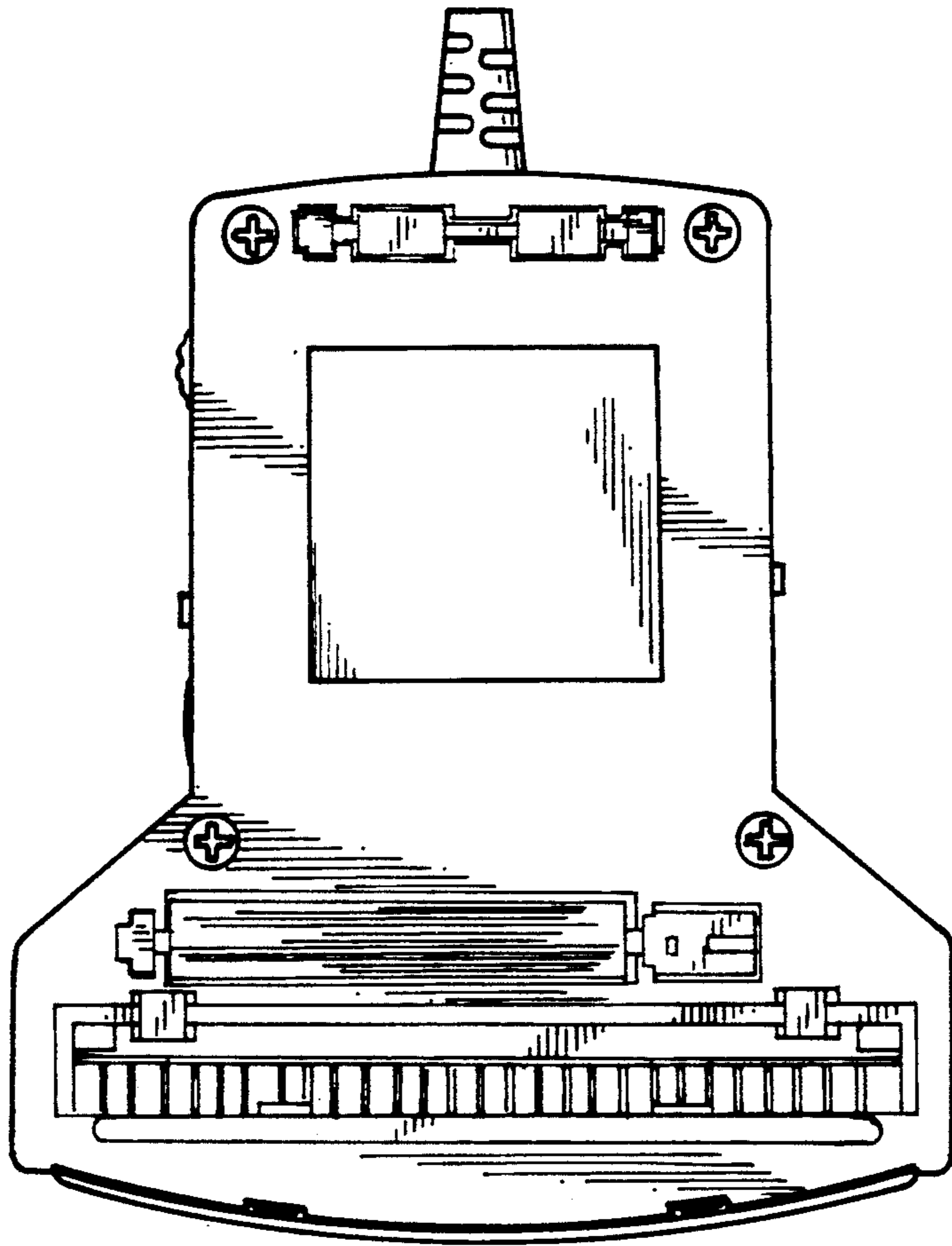


FIG. 7