



US00D342487S

# United States Patent [19]

[11] Patent Number: **Des. 342,487**

Iino

[45] Date of Patent: **\*\* Dec. 21, 1993**

[54] **EXPANSION UNIT FOR INCREASING THE FUNCTIONS OF AN ELECTRONIC COMPUTER**

[75] Inventor: **Masaaki Iino, Yokohama, Japan**

[73] Assignee: **Kabushiki Kaisha Toshiba, Kanagawa, Japan**

[\*\*] Term: **14 Years**

[21] Appl. No.: **844,684**

[22] Filed: **Feb. 28, 1992**

[30] **Foreign Application Priority Data**

Aug. 28, 1991 [JP] Japan ..... 3-25552

[52] U.S. Cl. .... **D14/107**

[58] Field of Search ..... D14/100, 107, 114; D13/184, 199, 147; 361/380-385, 390-395; 364/708; 439/95, 284, 357, 372

[56] **References Cited**

**U.S. PATENT DOCUMENTS**

- D. 320,196 9/1991 Carter et al. .... D14/107
- D. 331,920 12/1992 Iino ..... D14/107
- D. 335,490 5/1993 Mesfin et al. .... D14/107
- 5,159,533 10/1992 Kuang ..... 361/391
- 5,182,698 1/1993 Kobayashi et al. .... 361/391 X

**FOREIGN PATENT DOCUMENTS**

- 791802 7/1990 Japan .
- 115873 7/1991 Rep. of Korea .
- 127189 7/1990 Taiwan .

**OTHER PUBLICATIONS**

Catalog "Compaq", Jul. 17, 1991.

*Primary Examiner*—Wallace R. Burke

*Assistant Examiner*—Freda S. Nunn

*Attorney, Agent, or Firm*—Banner, Birch, McKie & Beckett

[57] **CLAIM**

The ornamental design for an expansion unit for increasing the functions of an electronic computer, as shown and described.

**DESCRIPTION**

FIG. 1 is a top, front and right side perspective view of an expansion unit for increasing the functions of an electronic computer showing my new design; FIG. 2 is a front elevational view thereof with the cover for the circular control elements along the front shown closed; FIG. 3 is a top plan view thereof; FIG. 4 is a left side elevational view thereof; FIG. 5 is a bottom plan view thereof; and, FIG. 6 is a rear elevational view thereof.

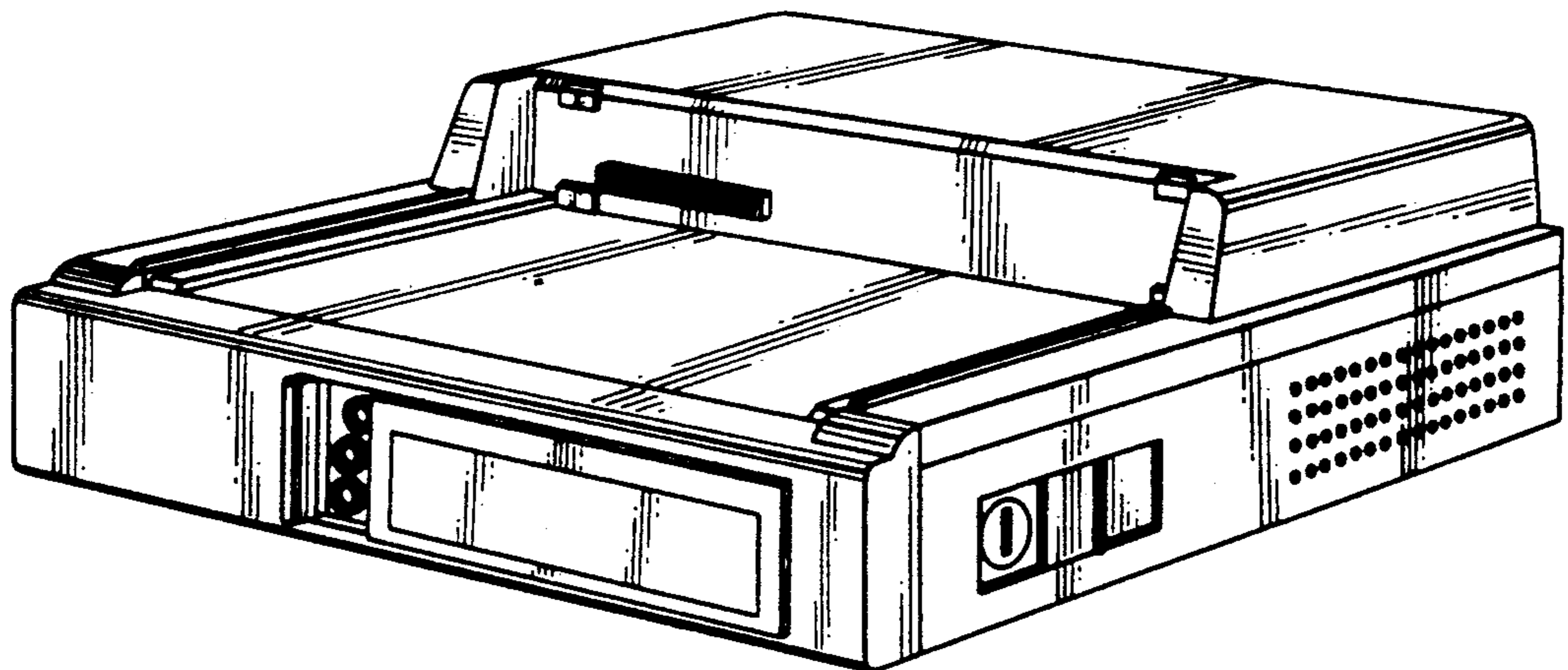


FIG. 1

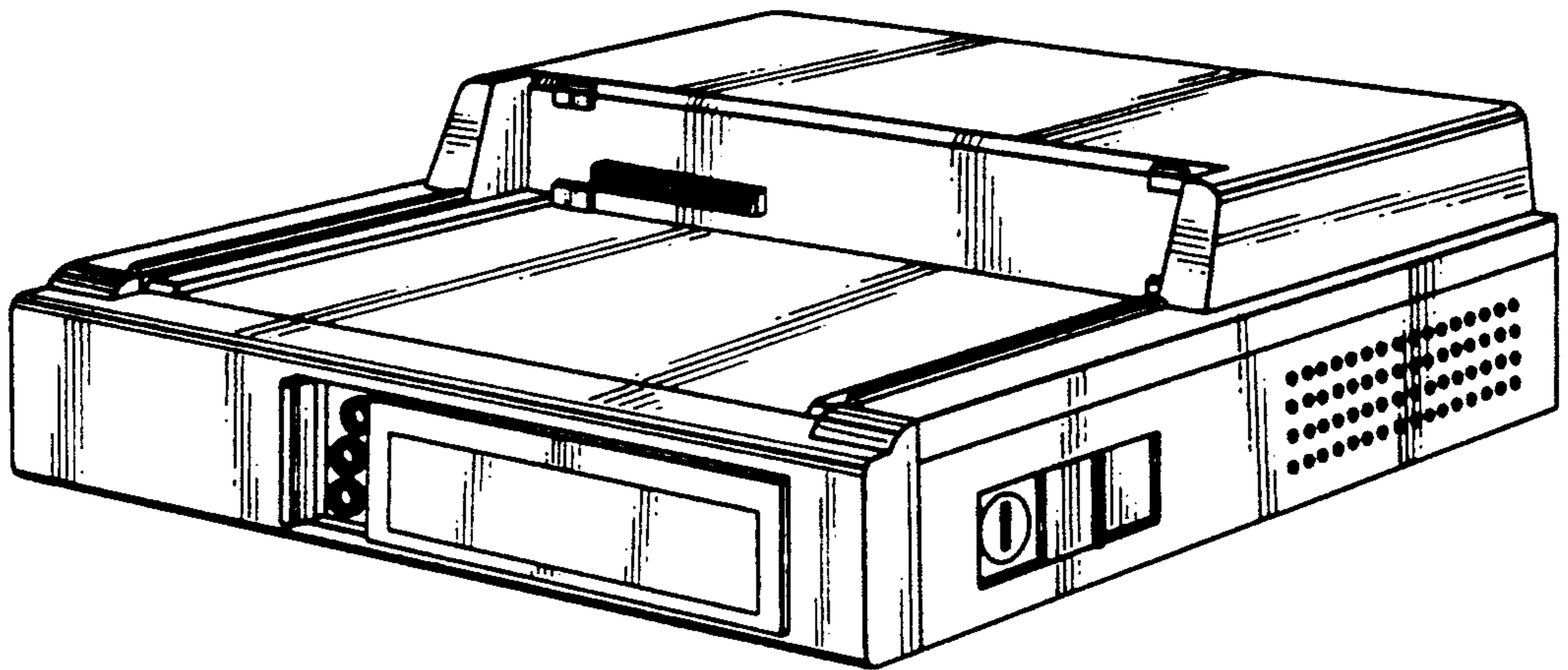


FIG. 2

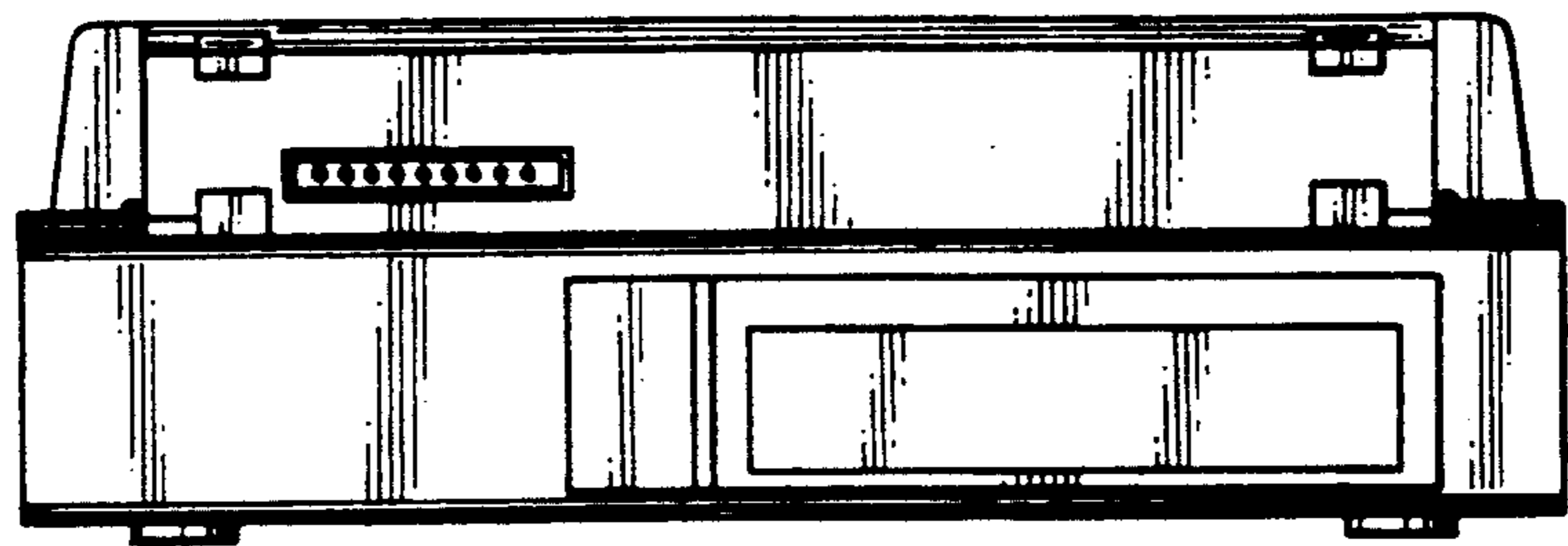


FIG.3

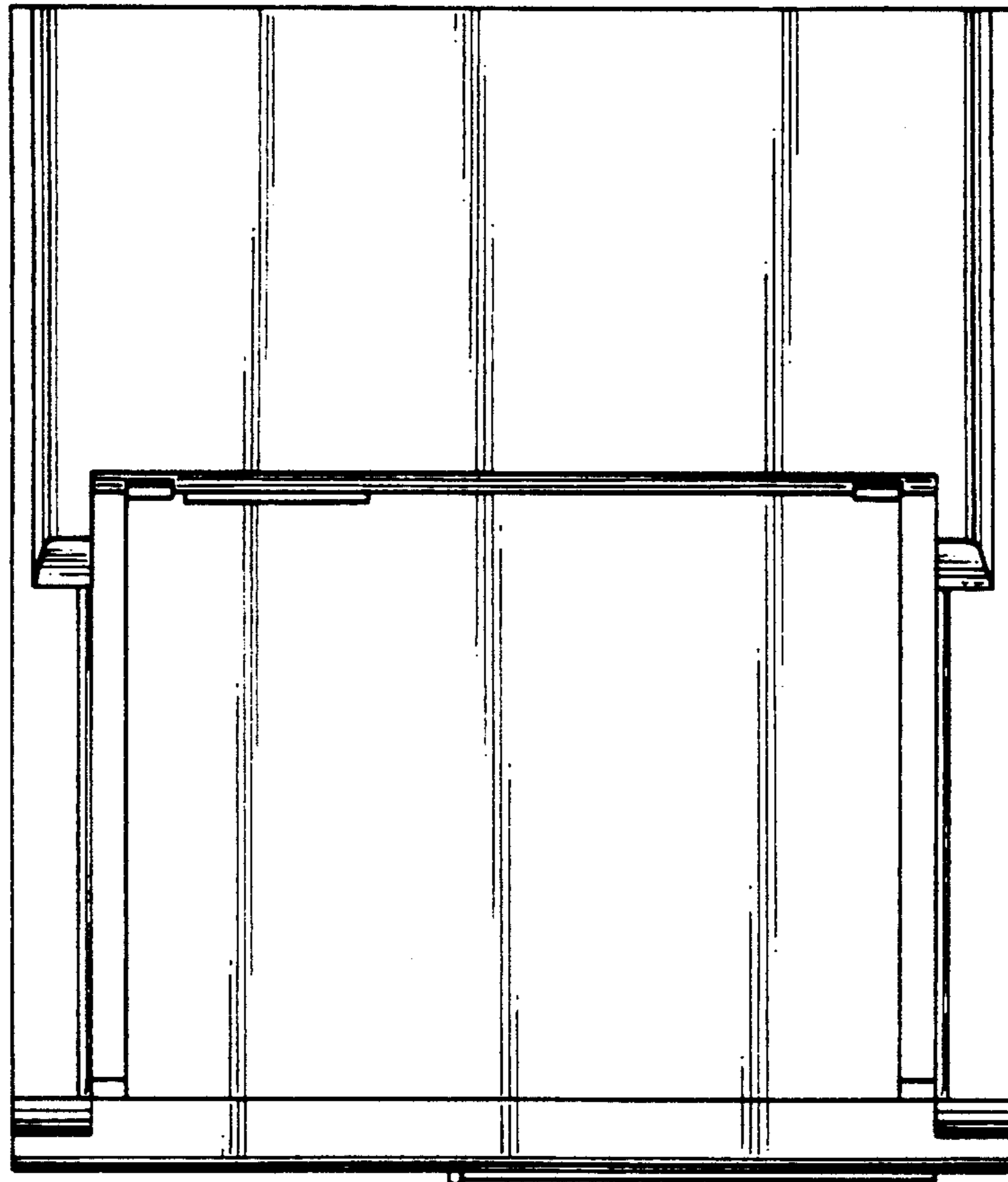


FIG.4

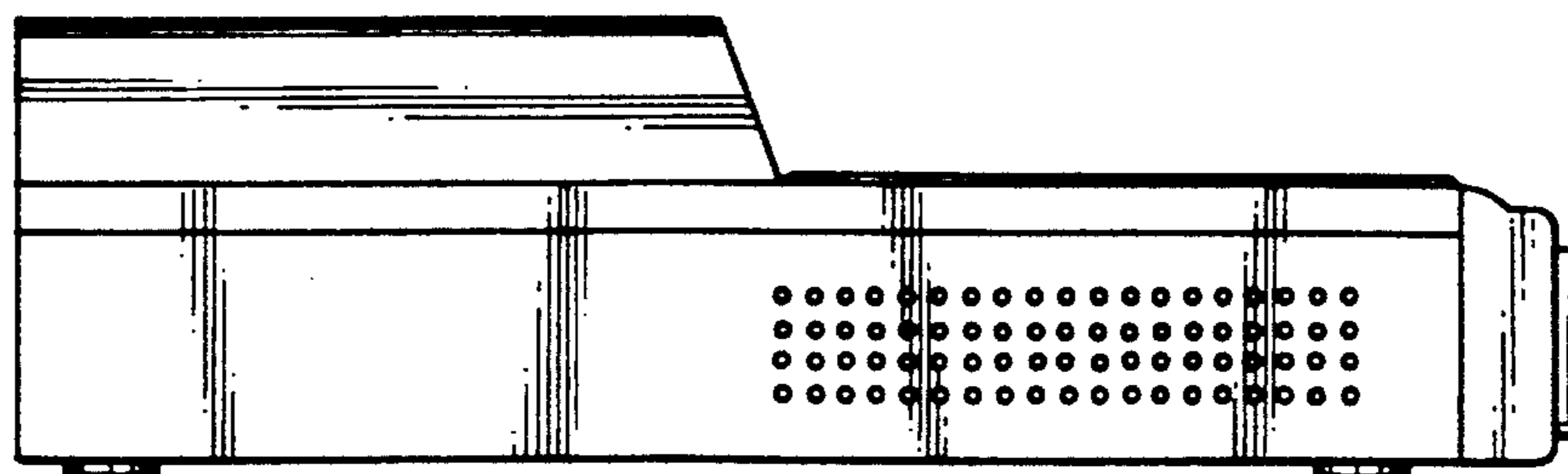


FIG.5

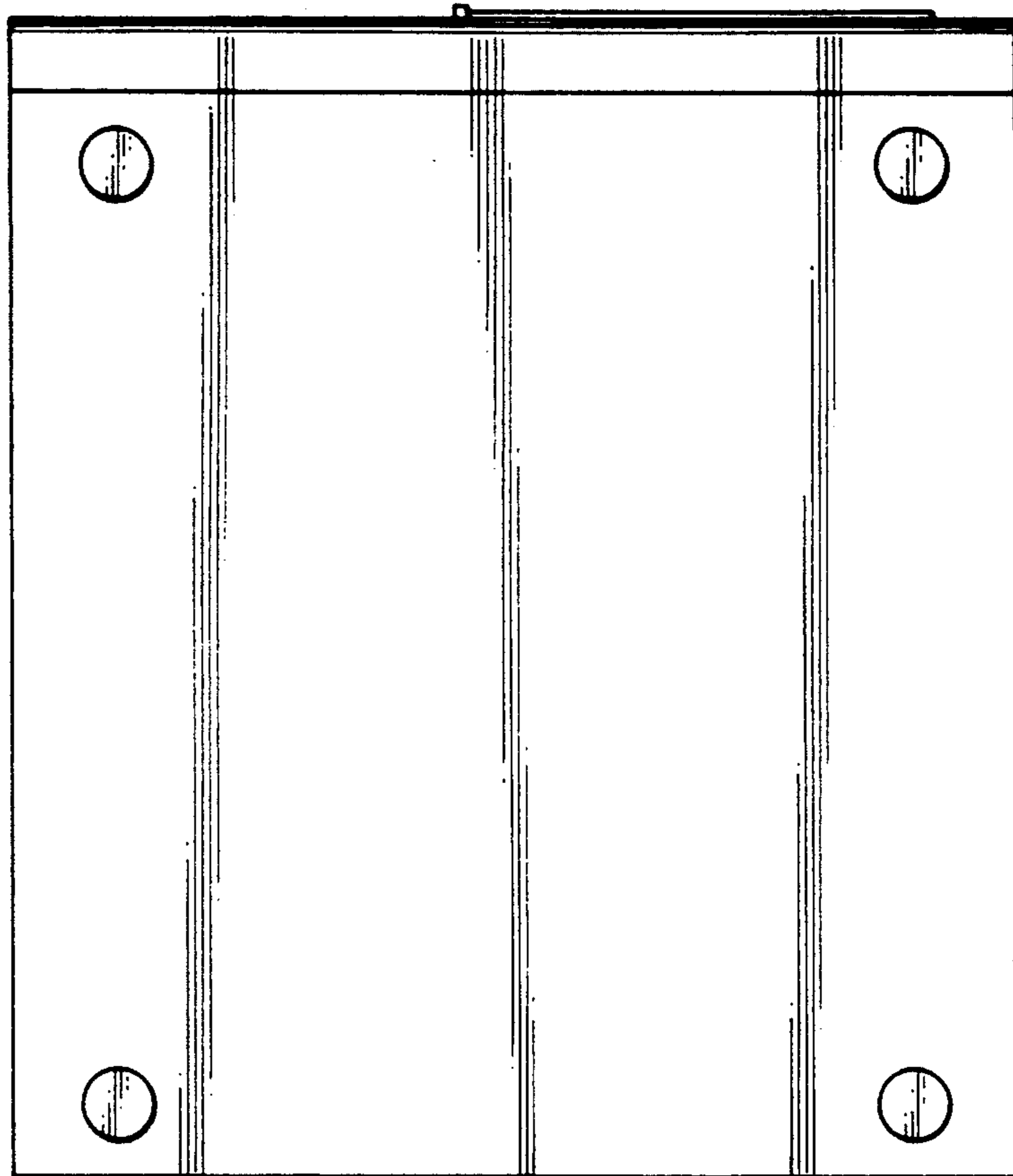


FIG.6

