



US00D342483S

# United States Patent [19]

[11] Patent Number: **Des. 342,483**

Bergeron et al.

[45] Date of Patent: **\*\* Dec. 21, 1993**

[54] **WORKSHOP MICROCOMPUTER**

[75] Inventors: **Luc Bergeron, Lausanne; Claude Dupraz, Geneva, both of Switzerland**

[73] Assignee: **Genex S.A., Chene-Bourg, Switzerland**

[\*\*] Term: **14 Years**

[21] Appl. No.: **691,321**

[22] Filed: **Apr. 26, 1991**

[30] **Foreign Application Priority Data**

Oct. 26, 1990 [CH] Switzerland ..... 118622

[52] U.S. Cl. .... **D14/100**

[58] Field of Search ..... D14/100, 101, 106, 113,  
D14/115, 124-127; D18/1, 7, 11, 12; 235/145  
A, 145 R, 380; 340/700, 706; 361/390, 394

[56] **References Cited**

**U.S. PATENT DOCUMENTS**

D. 274,059 5/1984 Hall et al. .... D14/106 X

D. 303,255 9/1989 Bratasevec ..... D14/113

D. 312, 821 12/1990 Kemp ..... D14/100

4,294,496 10/1981 Murez ..... D14/106 X

4,577,068 3/1986 Kelly et al. .... D14/101 X

4,816,655 3/1989 Musyck et al. .... 235/380

*Primary Examiner*—Wallace R. Burke  
*Assistant Examiner*—Freda S. Nunn  
*Attorney, Agent, or Firm*—Nixon & Vanderhye

[57] **CLAIM**

The ornamental design for a workshop microcomputer, as shown and described.

**DESCRIPTION**

FIG. 1 is a front elevational view of a workshop microcomputer with a bottom mount and hood attached showing our new design;

FIG. 2 is a rear elevational view thereof;

FIG. 3 is a top plan view thereof;

FIG. 4 is a bottom plan view thereof;

FIGS. 5 and 6 are respective right and left side elevational views thereof;

FIG. 7 is a front elevational view of a second embodiment thereof with a top mount;

FIG. 8 is a rear elevational view thereof;

FIG. 9 is a top plan view thereof;

FIG. 10 is a bottom plan view thereof;

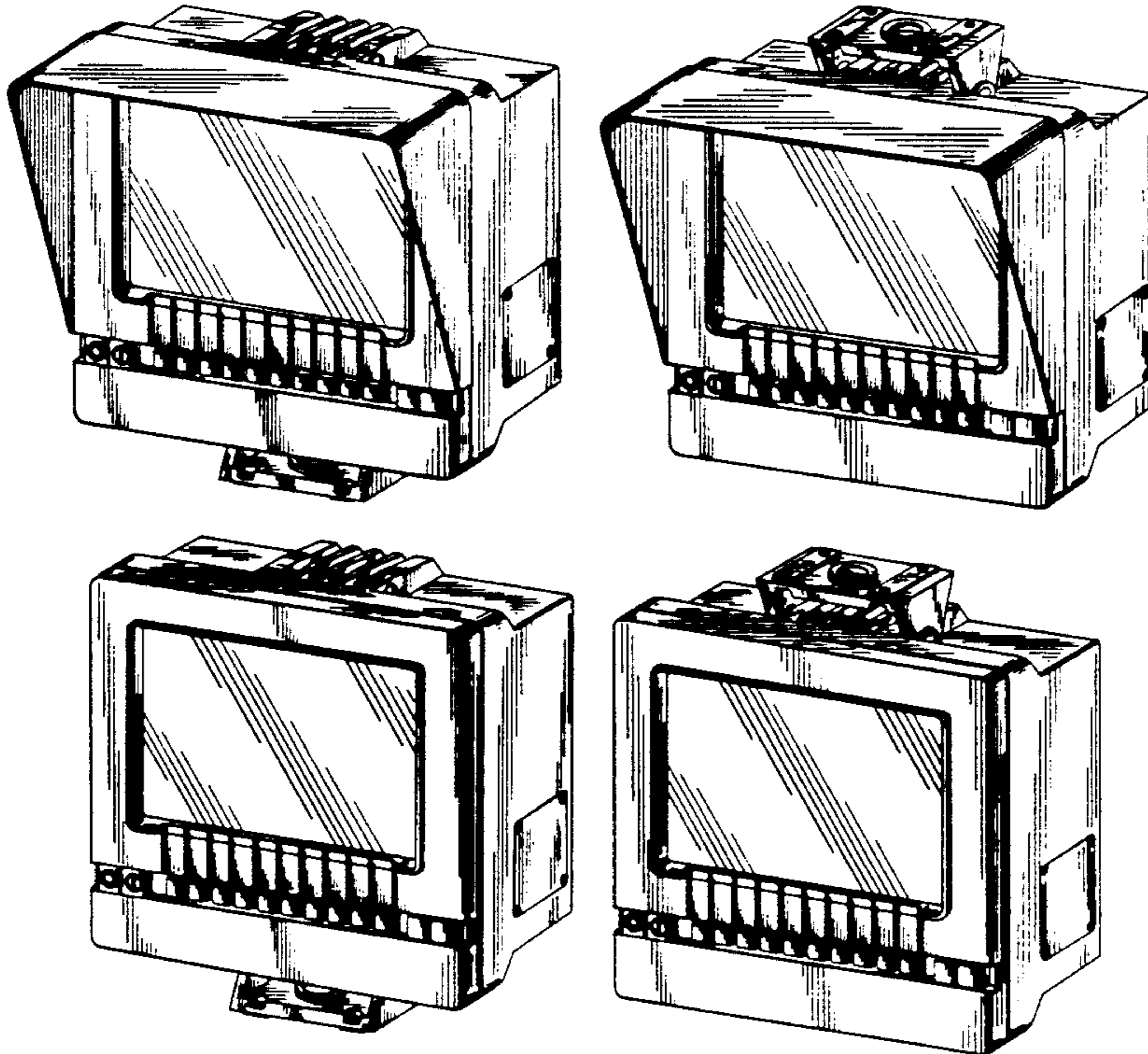
FIGS. 11 and 12 are respective right and left side elevational views thereof;

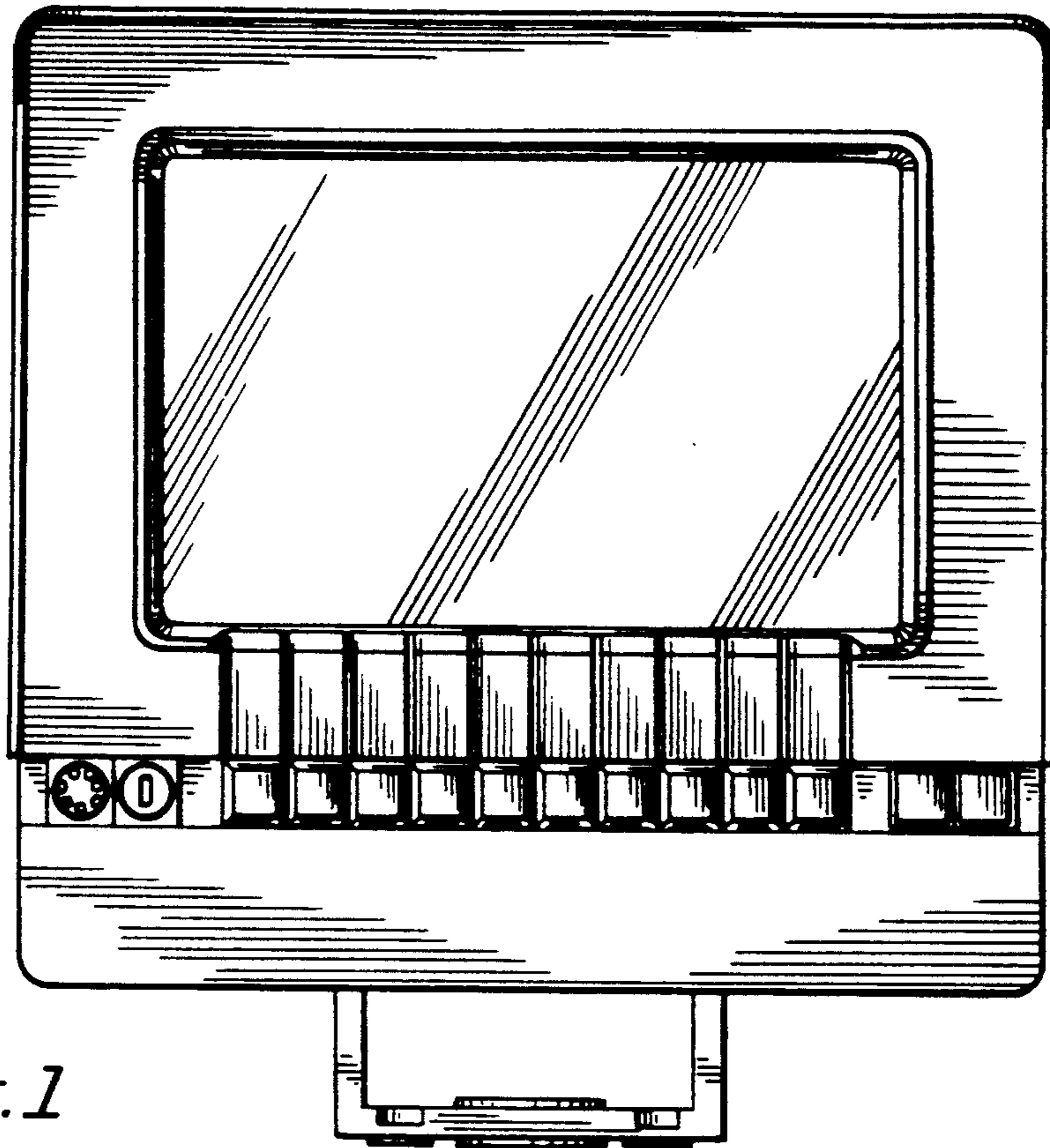
FIG. 13 is a top, front and right side perspective view of the embodiment illustrated in FIG. 1;

FIG. 14 is a top, front and right side perspective view of a third embodiment thereof with a top mount and hood attached thereto, the undisclosed view being similar in appearance to those of the second embodiment with the only difference being the attachment of the hood;

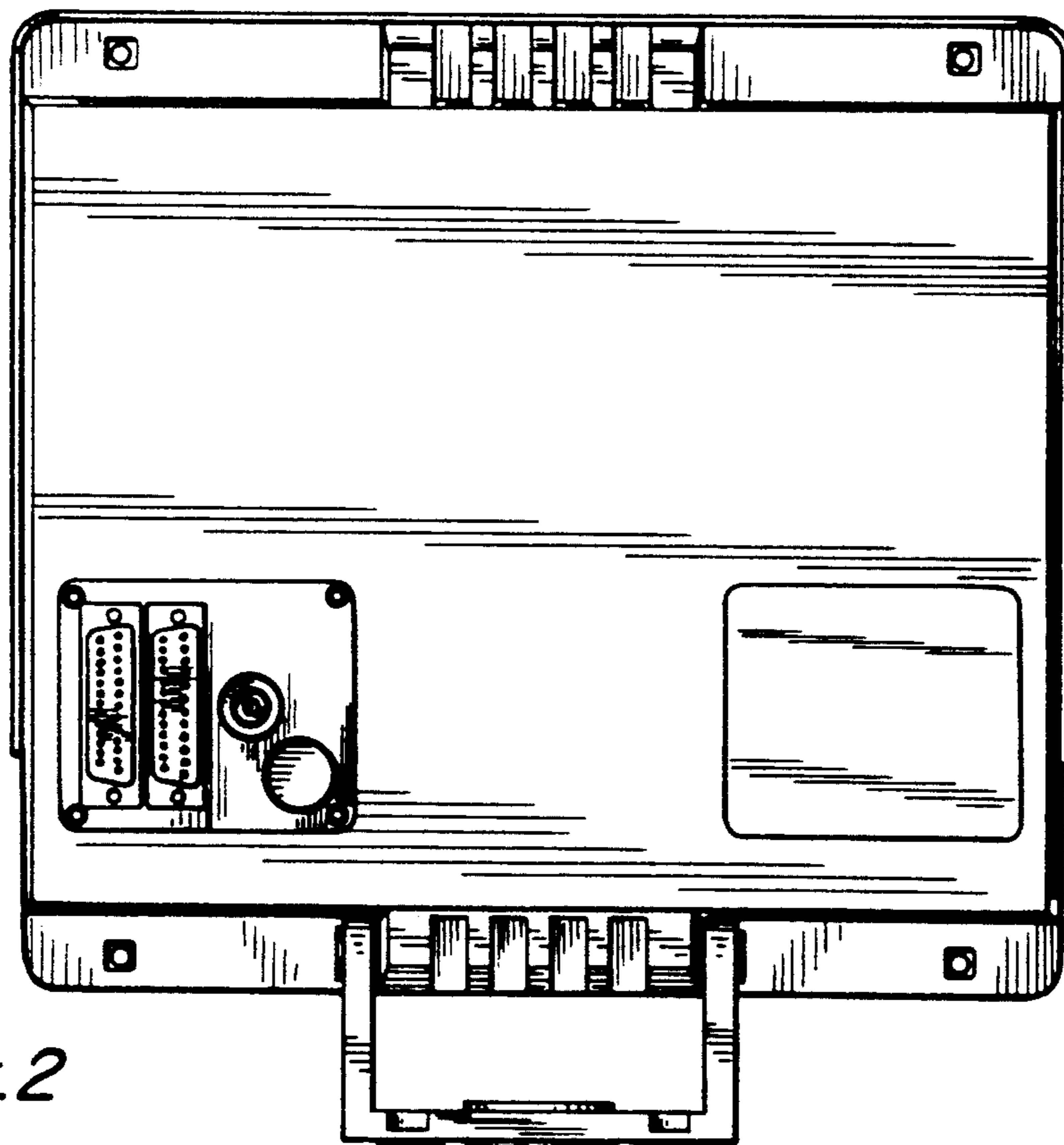
FIG. 15 is a top, front and side perspective view of a fourth embodiment thereof with a bottom mount, the undisclosed views being similar in appearance to those of the first embodiment with the only difference being the exclusion of the hood; and,

FIG. 16 is a top, front and side perspective view of the embodiment thereof illustrated in FIGS. 7-12.

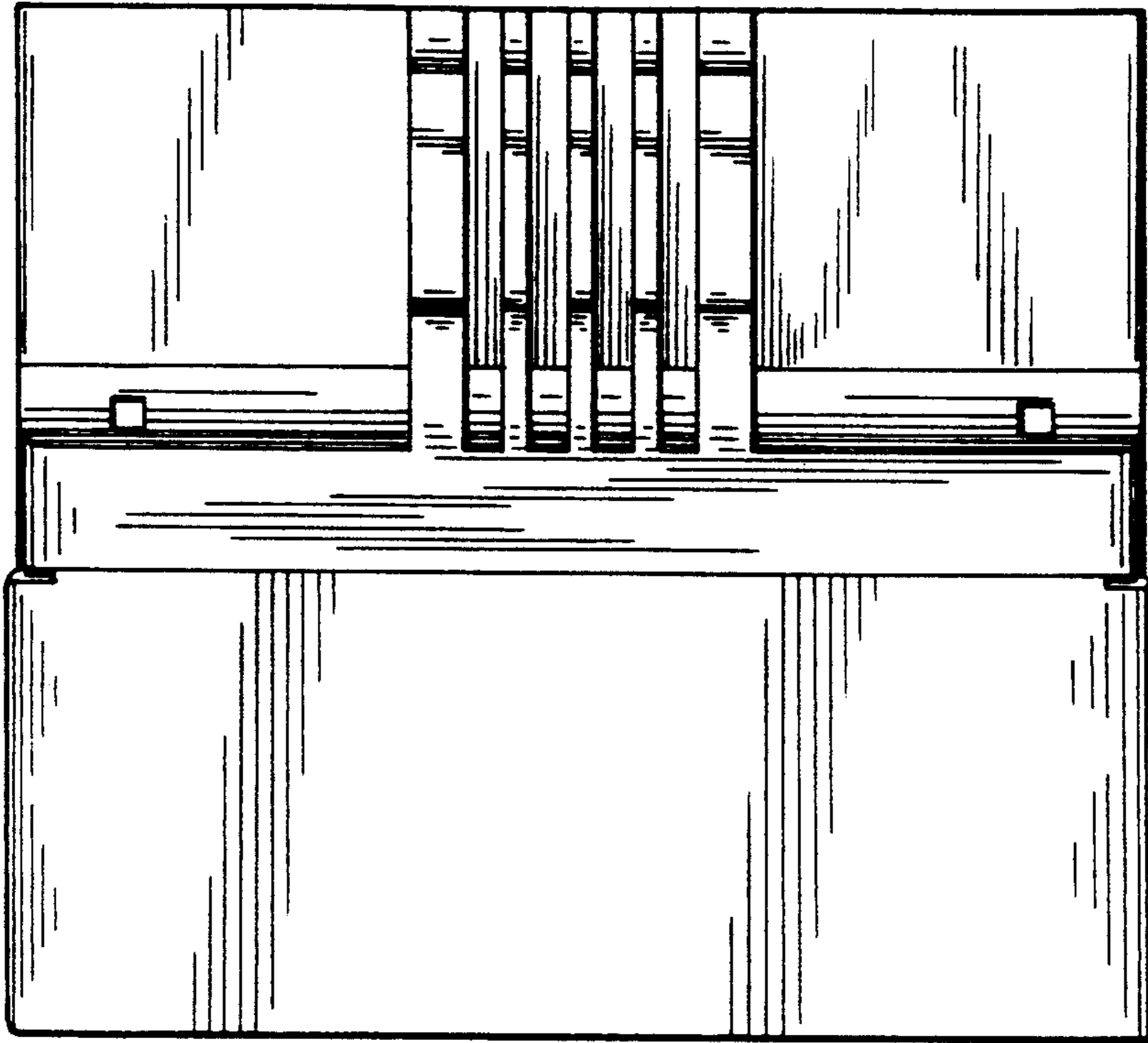




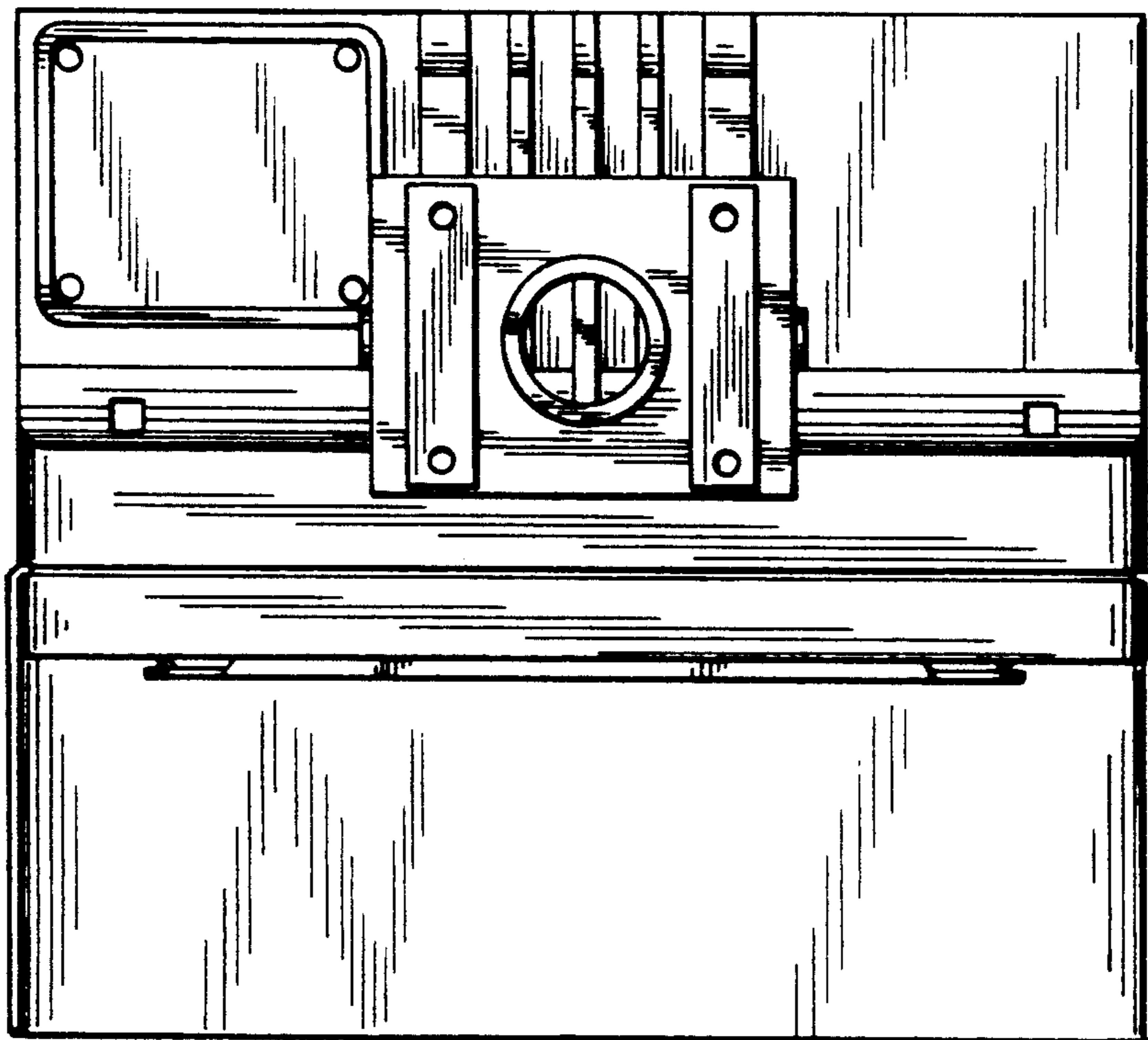
*Fig. 1*



*Fig. 2*

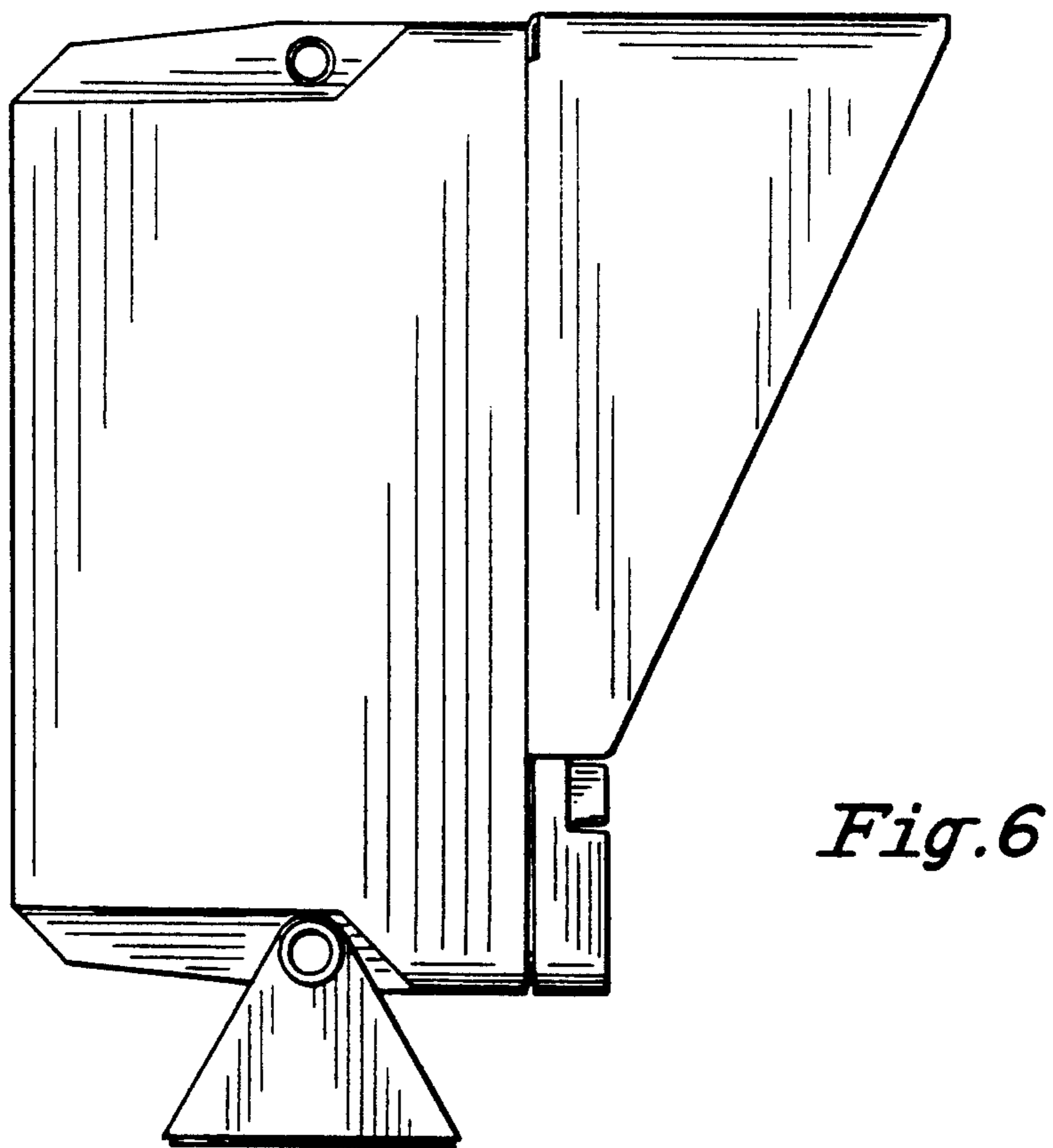
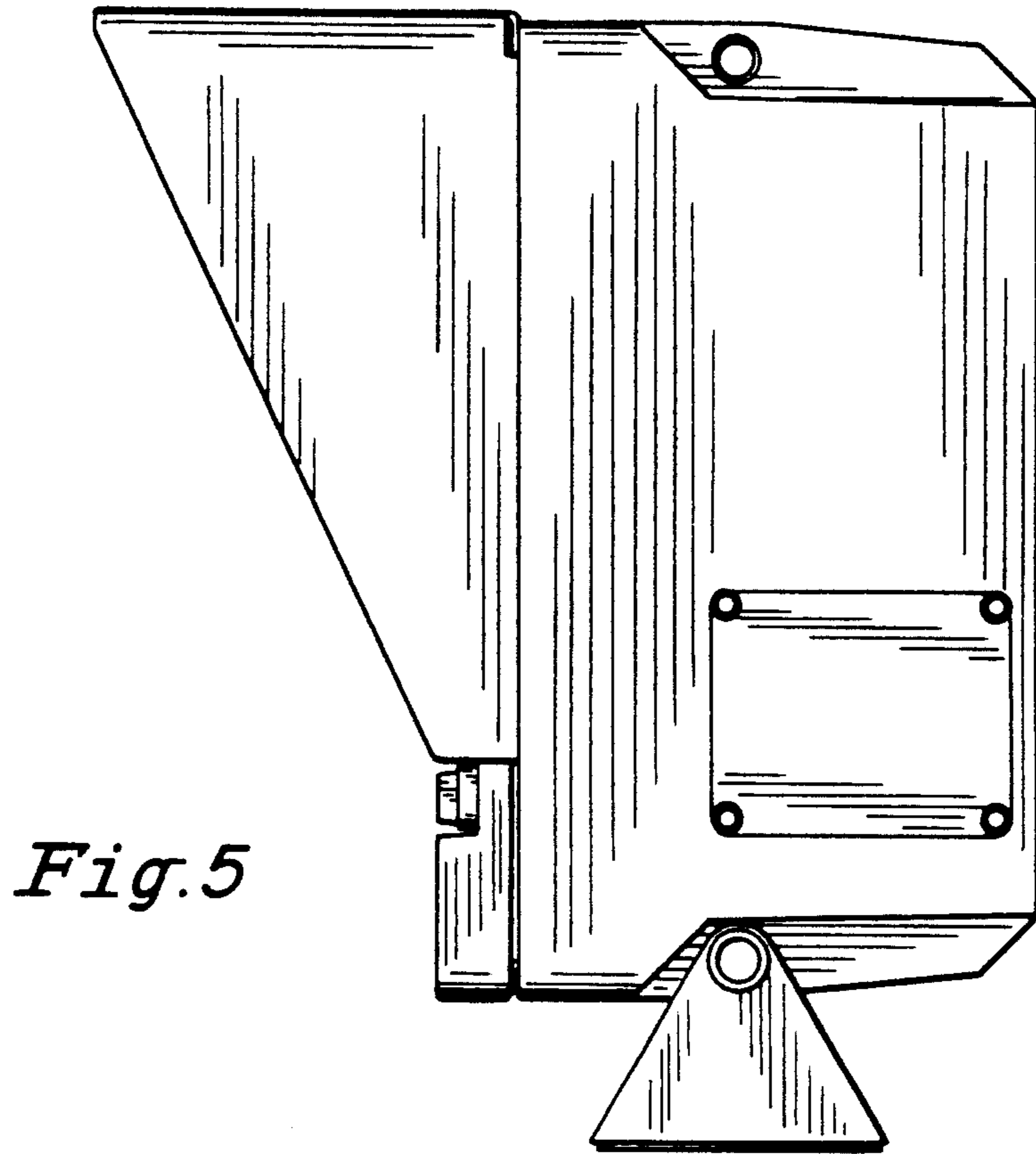


*Fig. 3*

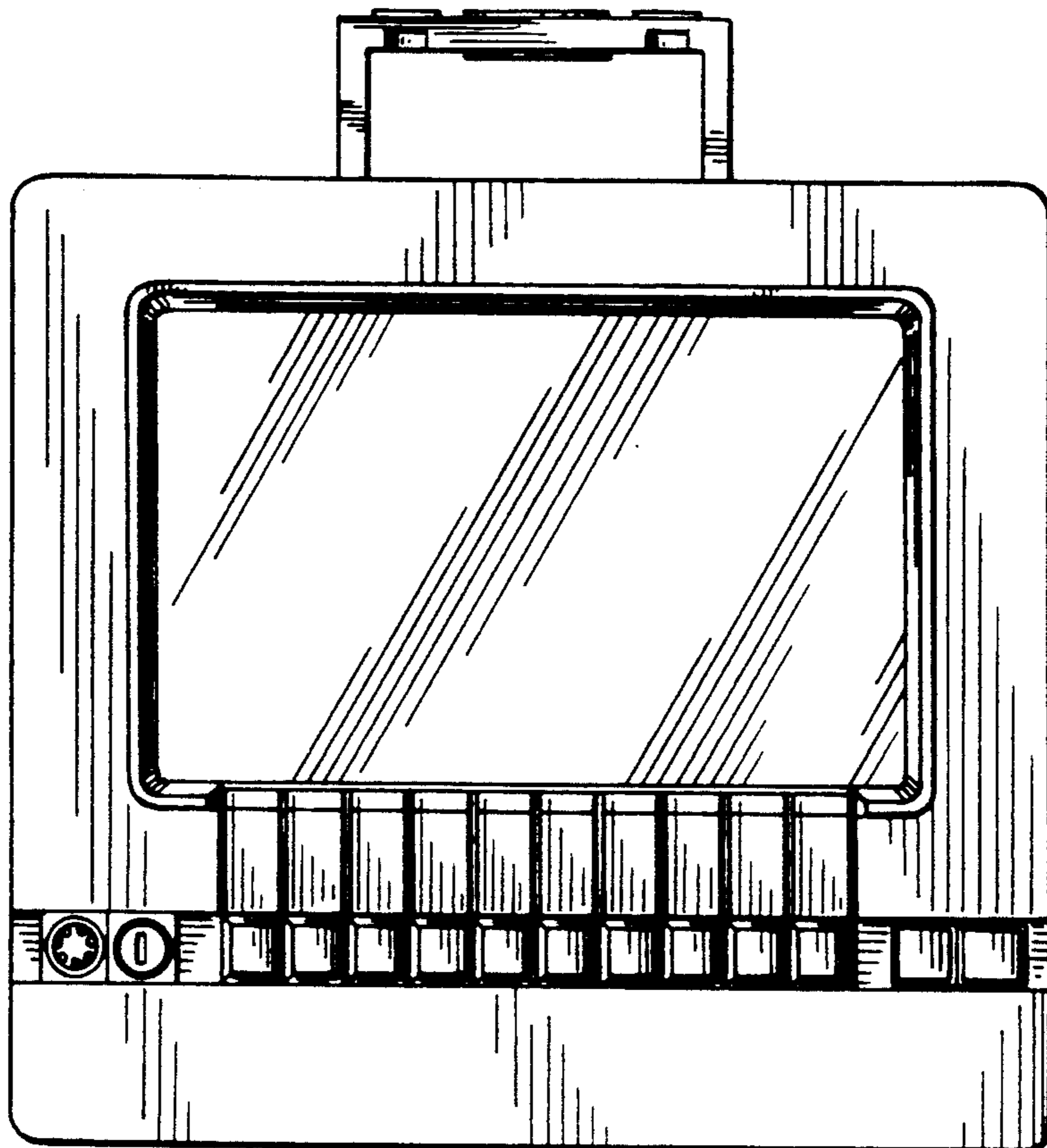


*Fig. 4*

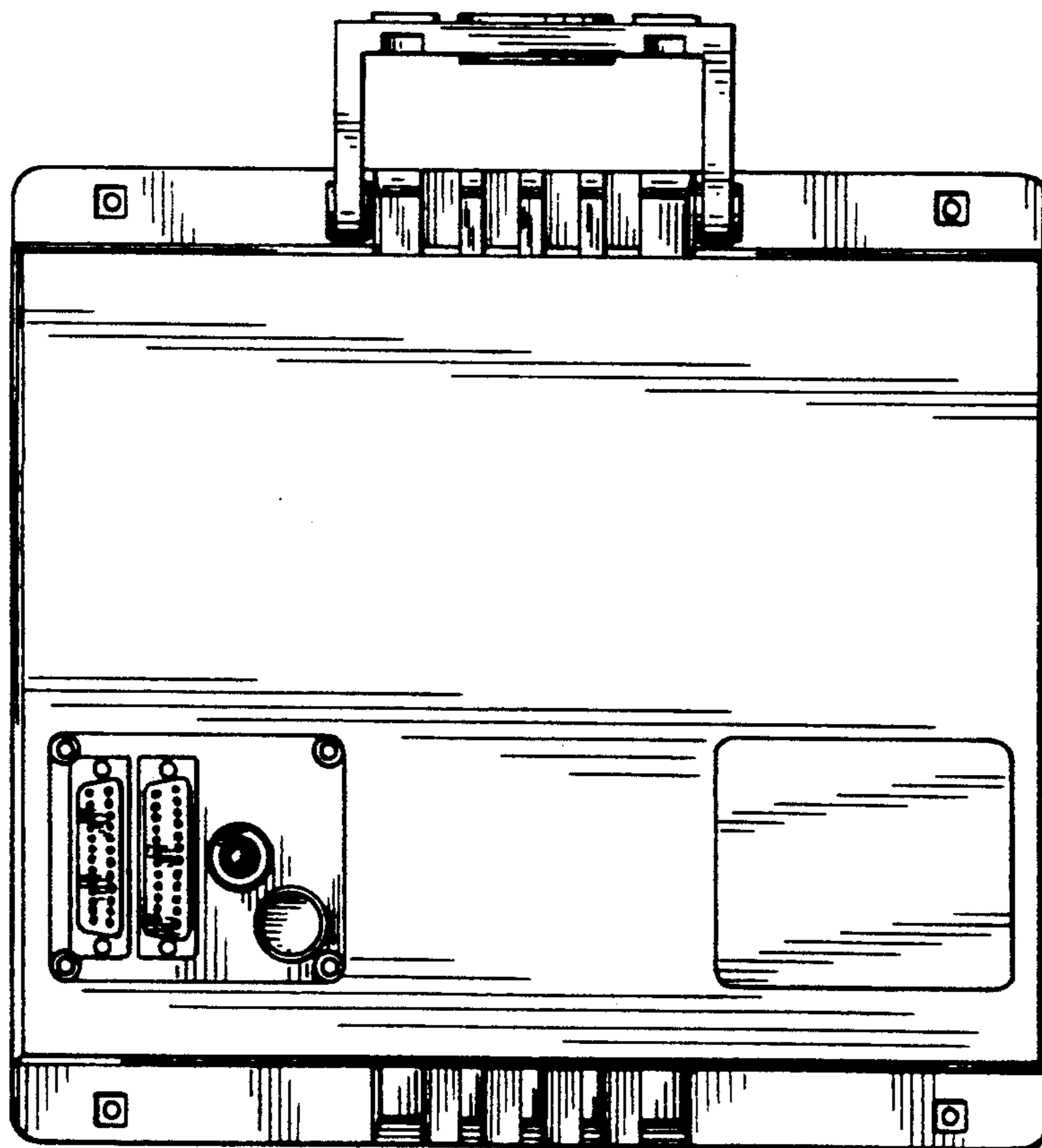


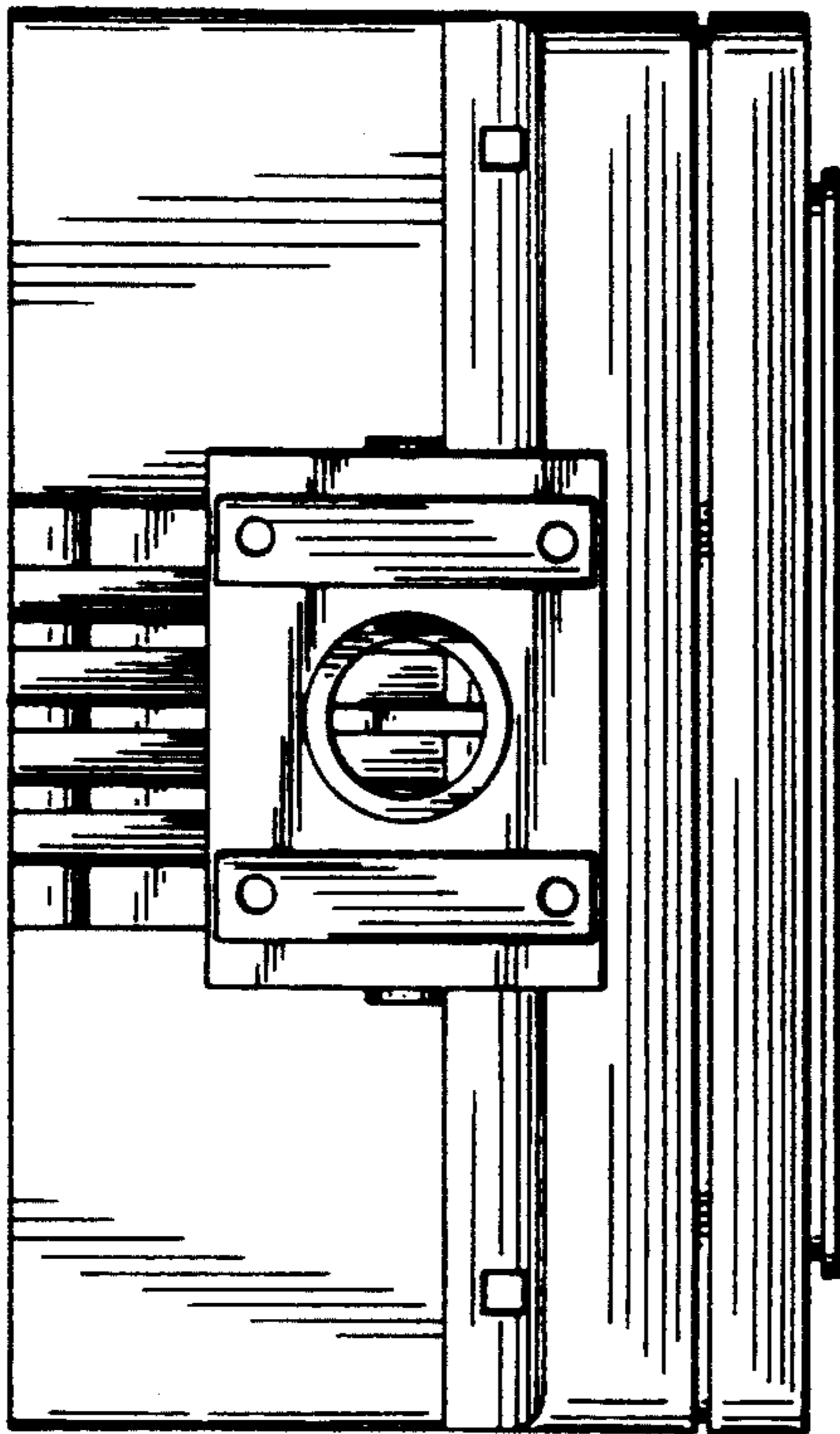


*Fig. 7*

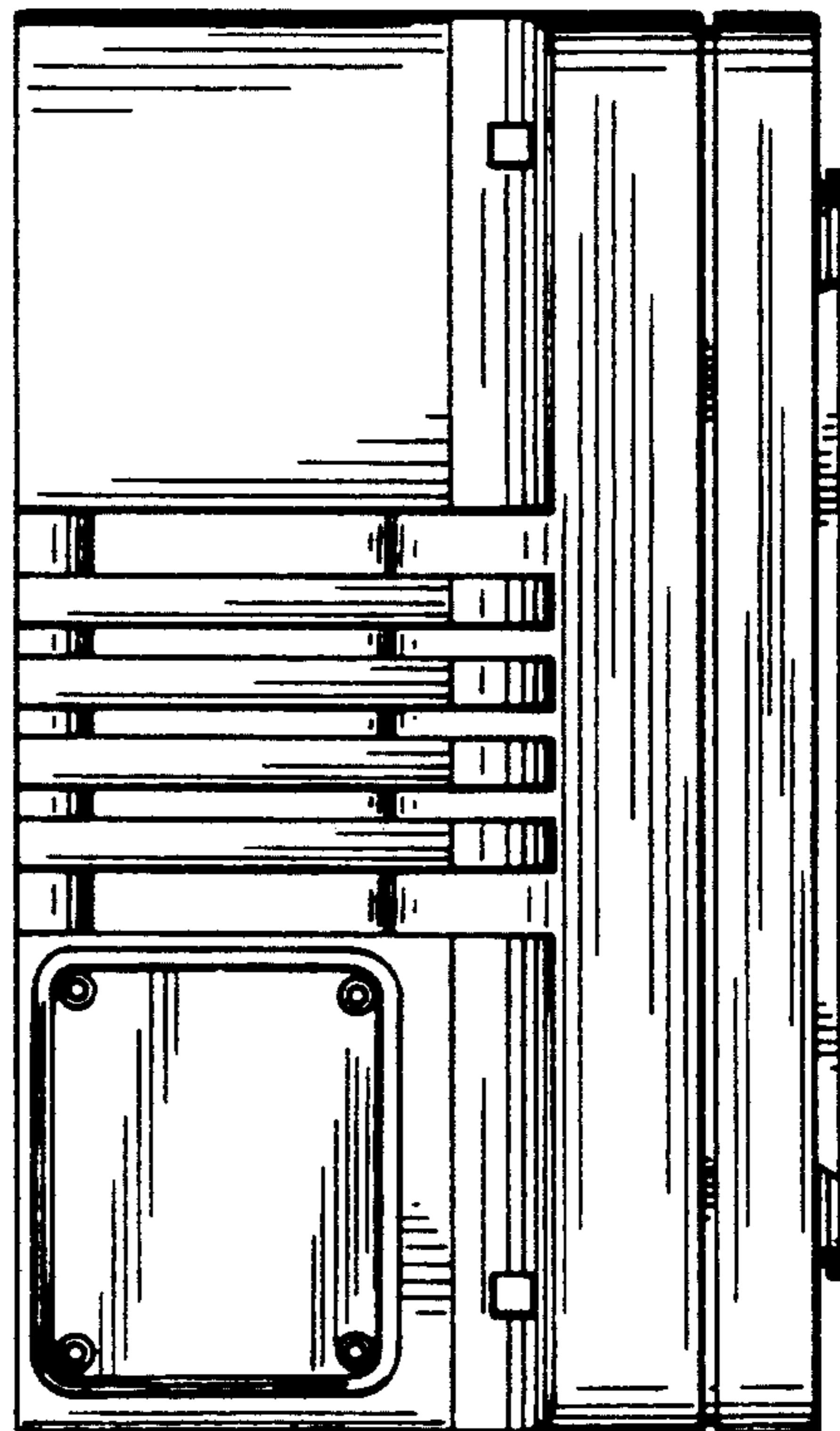


*Fig. 8*

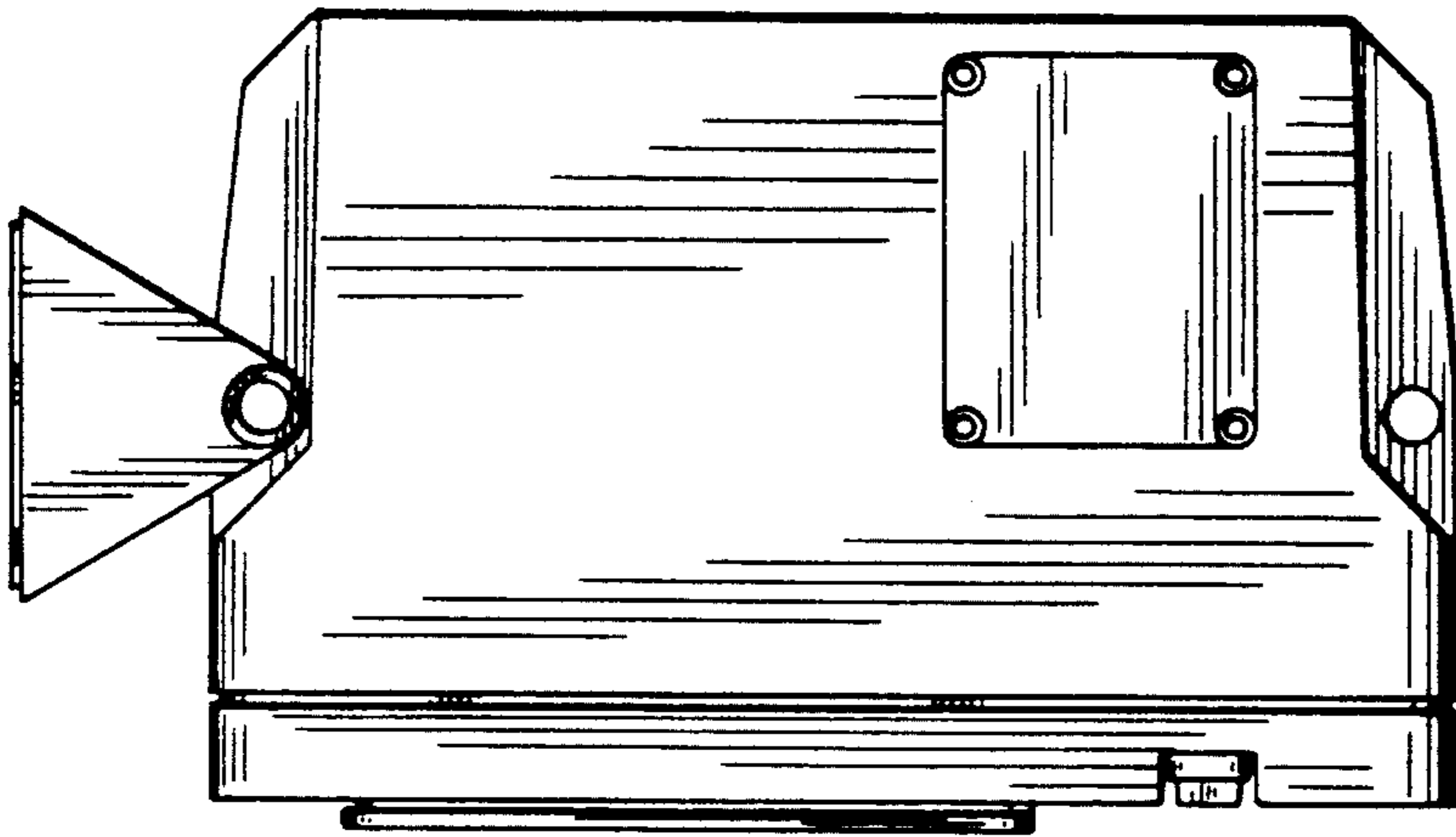




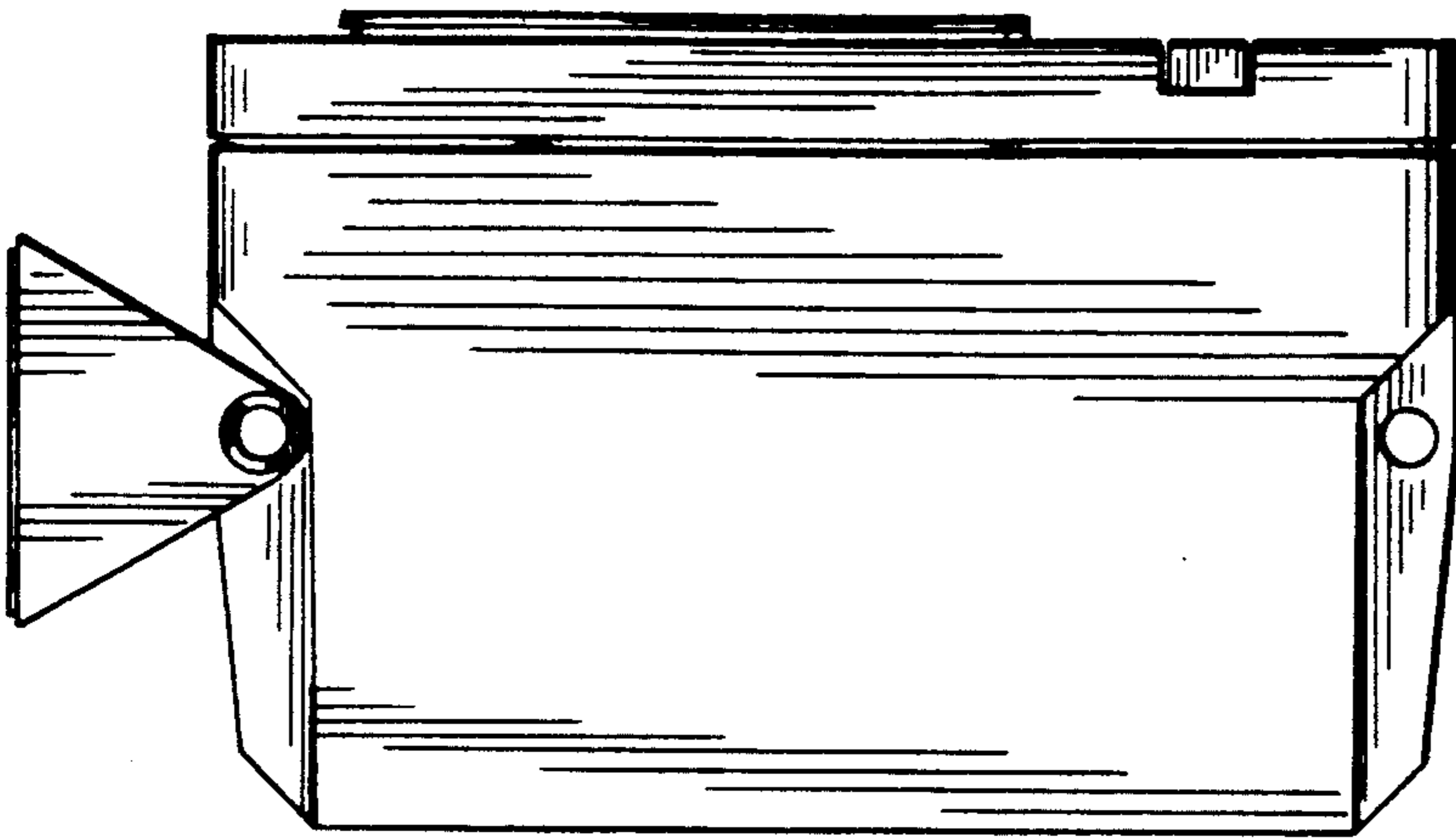
*Fig. 9*



*Fig. 10*



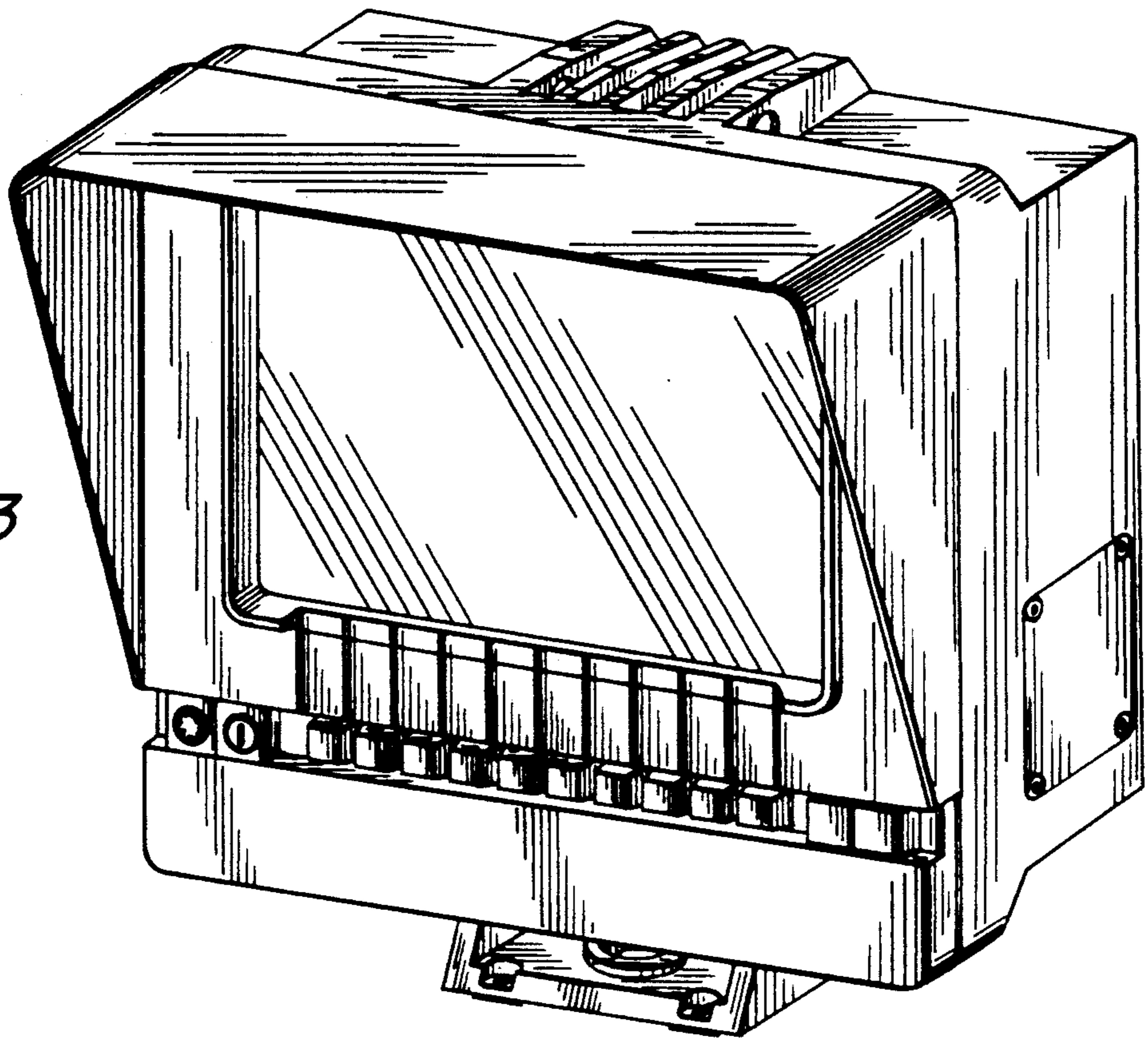
*Fig. 11*



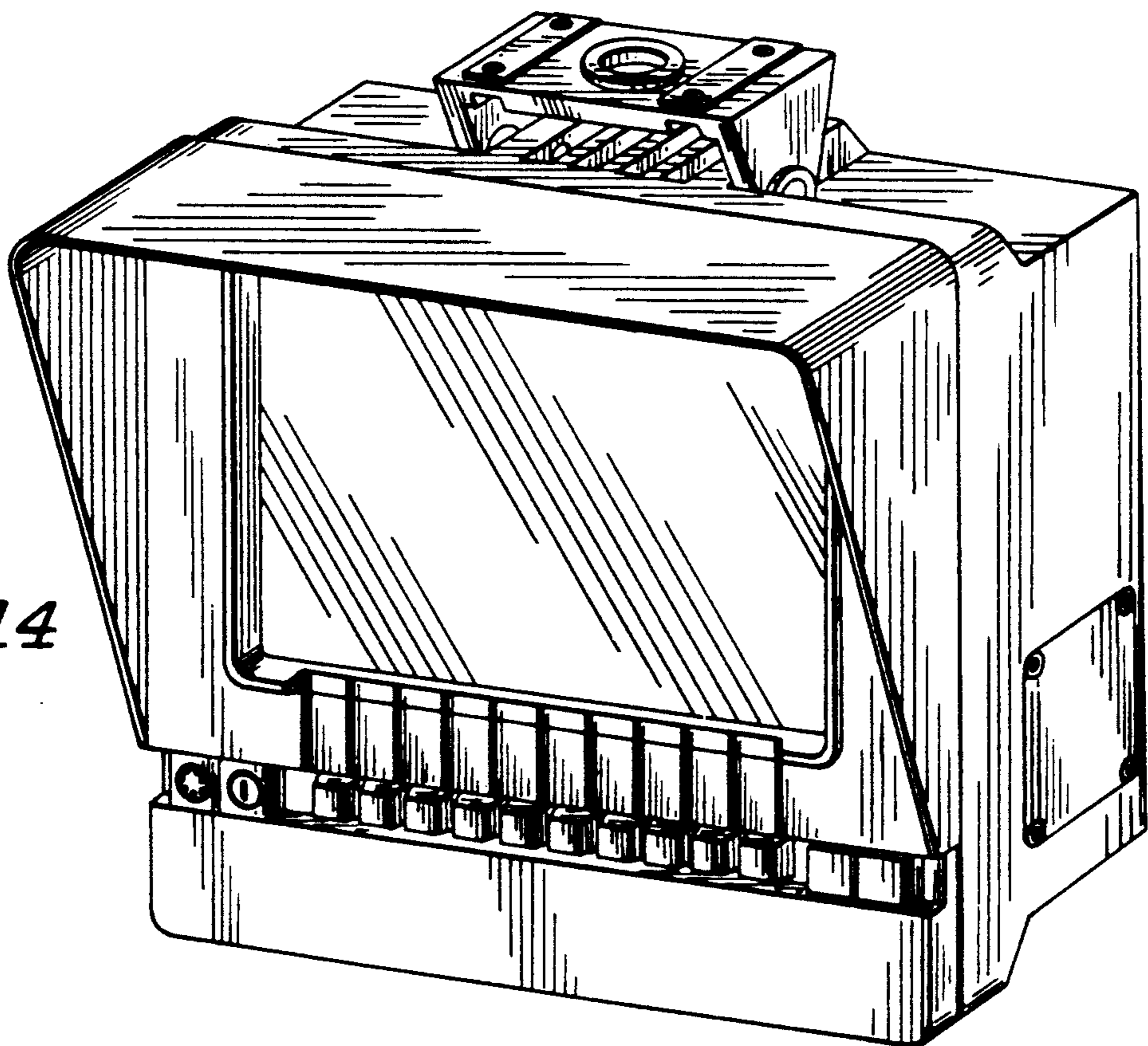
*Fig. 12*



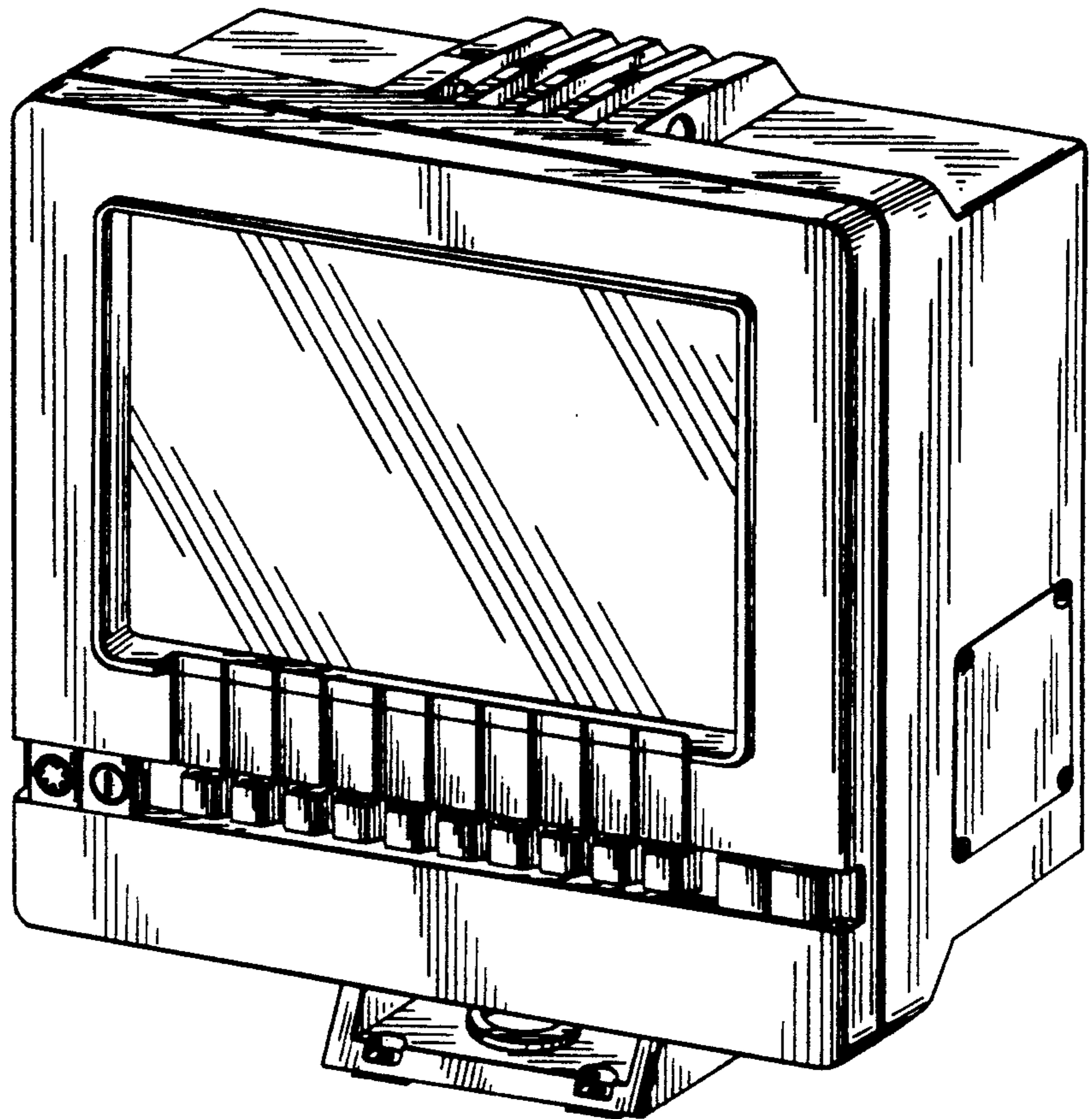
*Fig.13*



*Fig.14*



*Fig.15*



*Fig.16*

