



US00D342482S

United States Patent [19]

Lütze et al.

[11] Patent Number: **Des. 342,482**

[45] Date of Patent: **** Dec. 21, 1993**

[54] **WIRING RACK**

[75] Inventors: **Friedrich Lütze, Waiblingen; Gerhard Hoffmann, Backnang, both of Fed. Rep. of Germany**

[73] Assignee: **Friedrich Lütze GmbH & Co., Grossheppach, Fed. Rep. of Germany**

[**] Term: **14 Years**

[21] Appl. No.: **562,071**

[22] Filed: **Jun. 29, 1990**

[52] U.S. Cl. **D13/199**

[58] Field of Search **D13/184, 199; D25/116, D25/121; D14/256; 361/334, 342, 346, 334, 356, 380, 427, 428; 248/27.3; 174/175; 379/327**

[56] **References Cited**

U.S. PATENT DOCUMENTS

- D. 289,636 5/1987 Maurer et al. D14/256
- D. 290,404 6/1987 Stoler D25/119
- 3,009,549 11/1961 Miller D25/121 X
- 3,458,052 7/1969 Kann D25/119 X

- 3,793,564 2/1974 Salvati et al. 361/334 X
- 4,665,546 5/1987 Brey et al. 379/327
- 4,964,020 10/1990 Savage et al. 361/380 X

FOREIGN PATENT DOCUMENTS

- 2459247 6/1976 Fed. Rep. of Germany 174/175
- 3038783 5/1982 Fed. Rep. of Germany 248/27.3

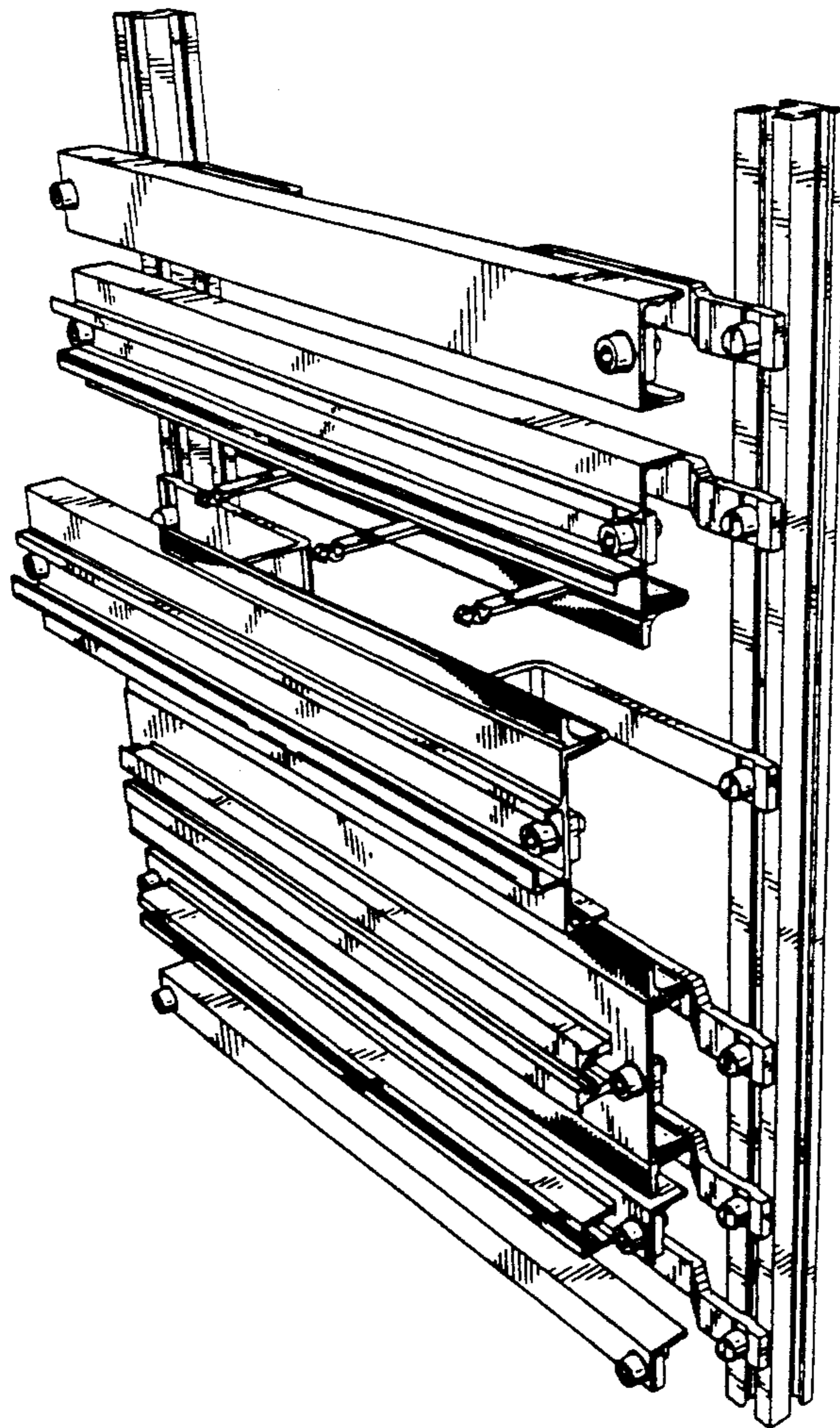
Primary Examiner—Wallace R. Burke
Assistant Examiner—Joel Sincavage
Attorney, Agent, or Firm—W. Thad Adams, III

[57] **CLAIM**

The ornamental design of a wiring rack, as shown and described.

DESCRIPTION

FIG. 1 is a perspective view from the right side of a wiring rack;
FIG. 2 is a side elevation, from the right side;
FIG. 3 is a top plan view;
FIG. 4 is a side elevation, from the left side;
FIG. 5 is a bottom plan view;
FIG. 6 is a front elevational view; and,
FIG. 7 is a rear elevational view.



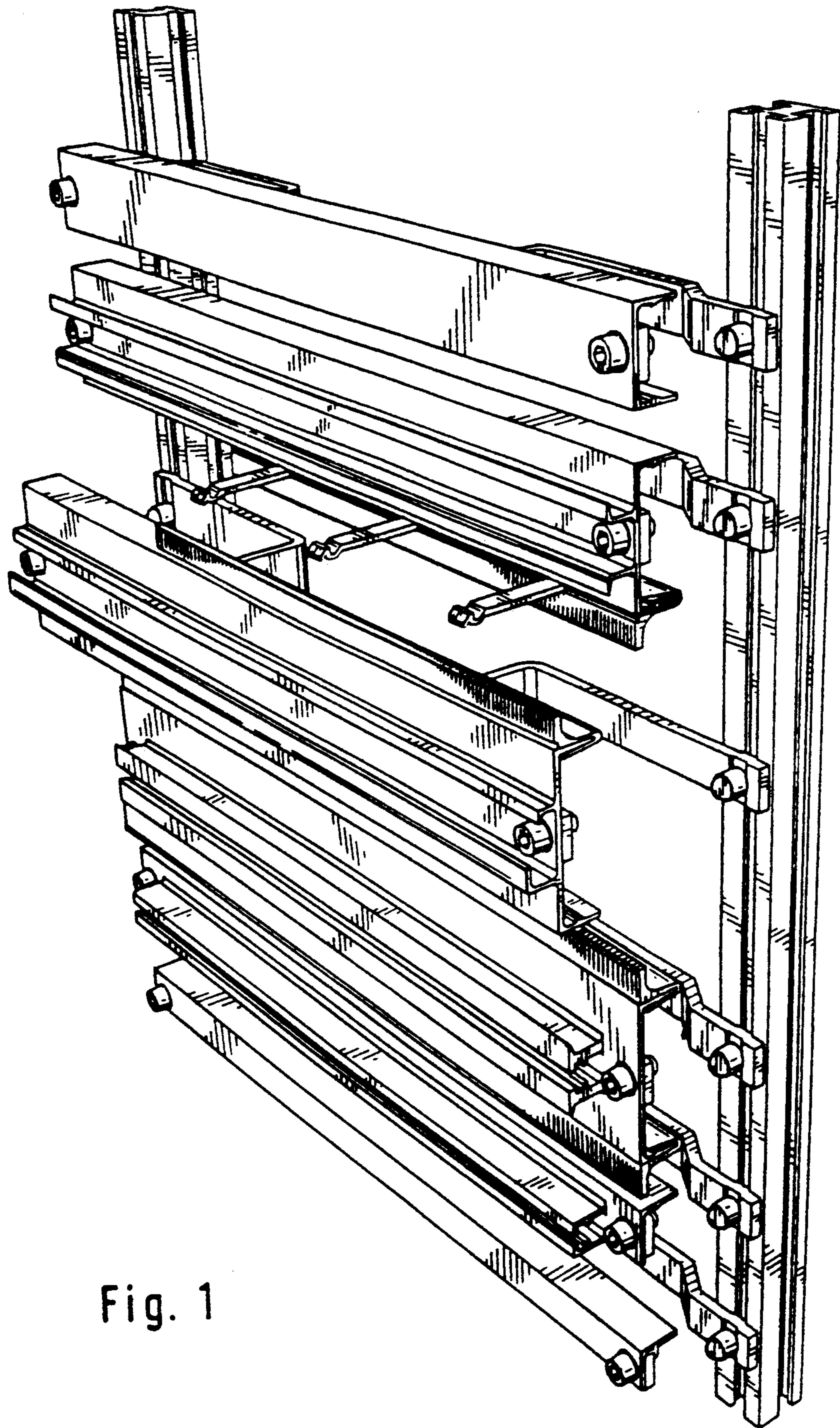


Fig. 1

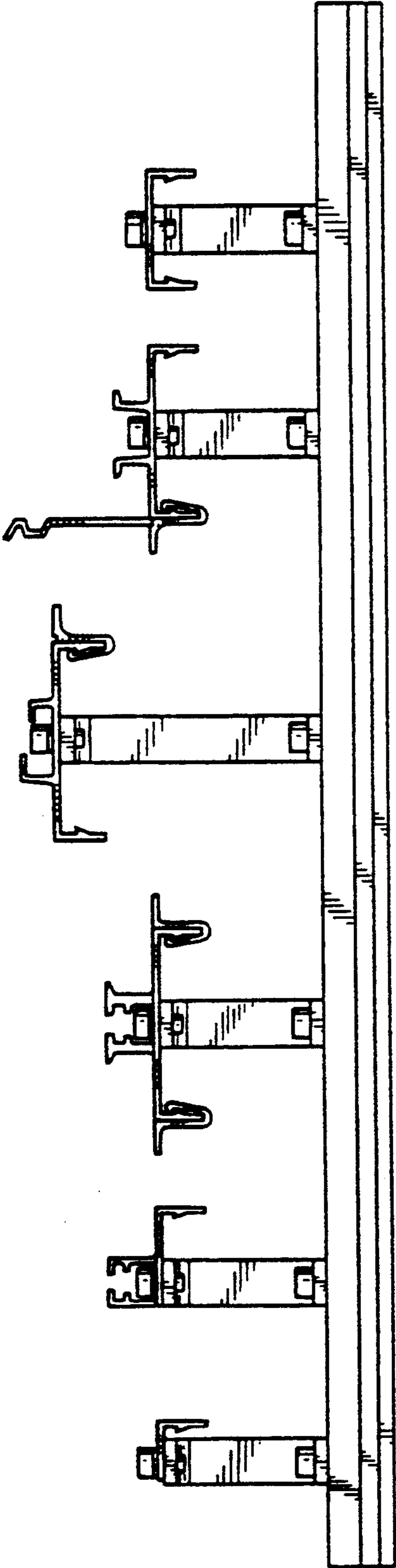
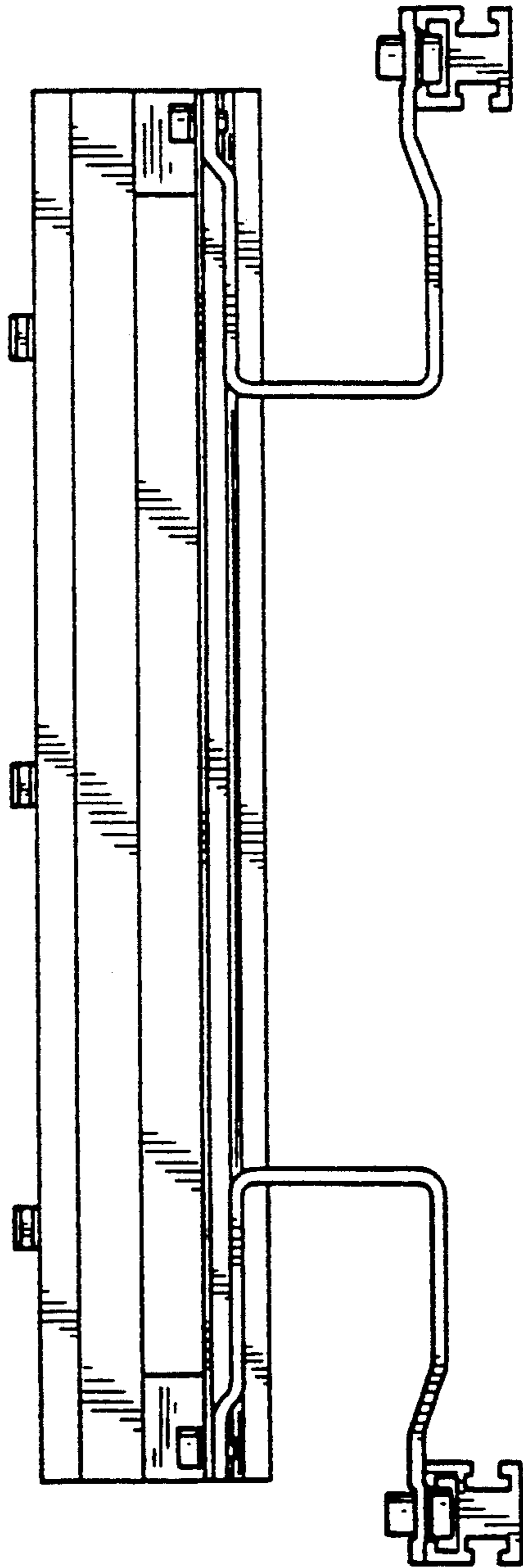


Fig. 2

Fig. 3



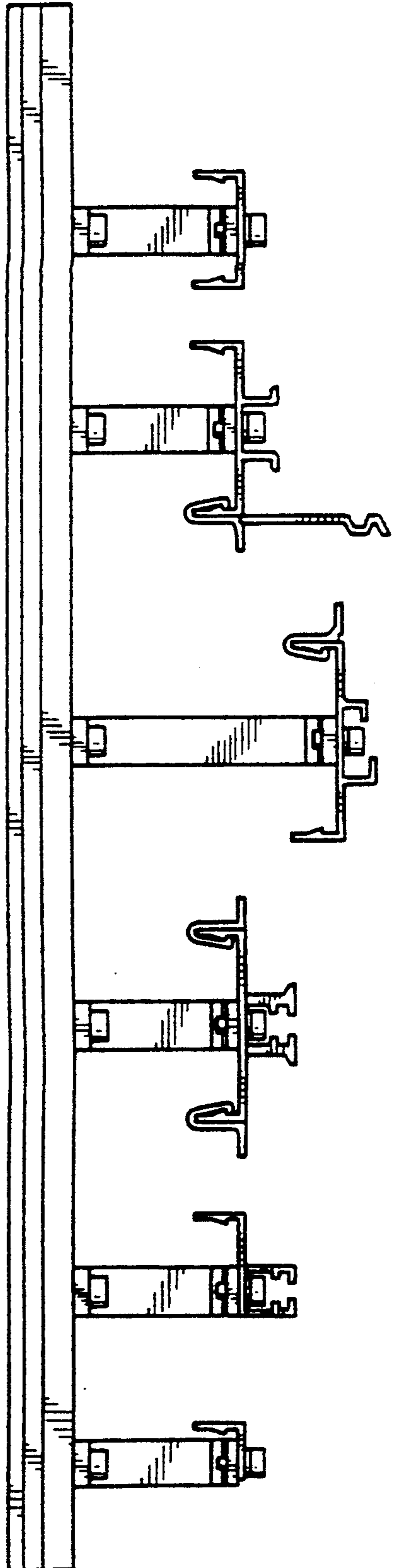


Fig. 4

Fig. 5

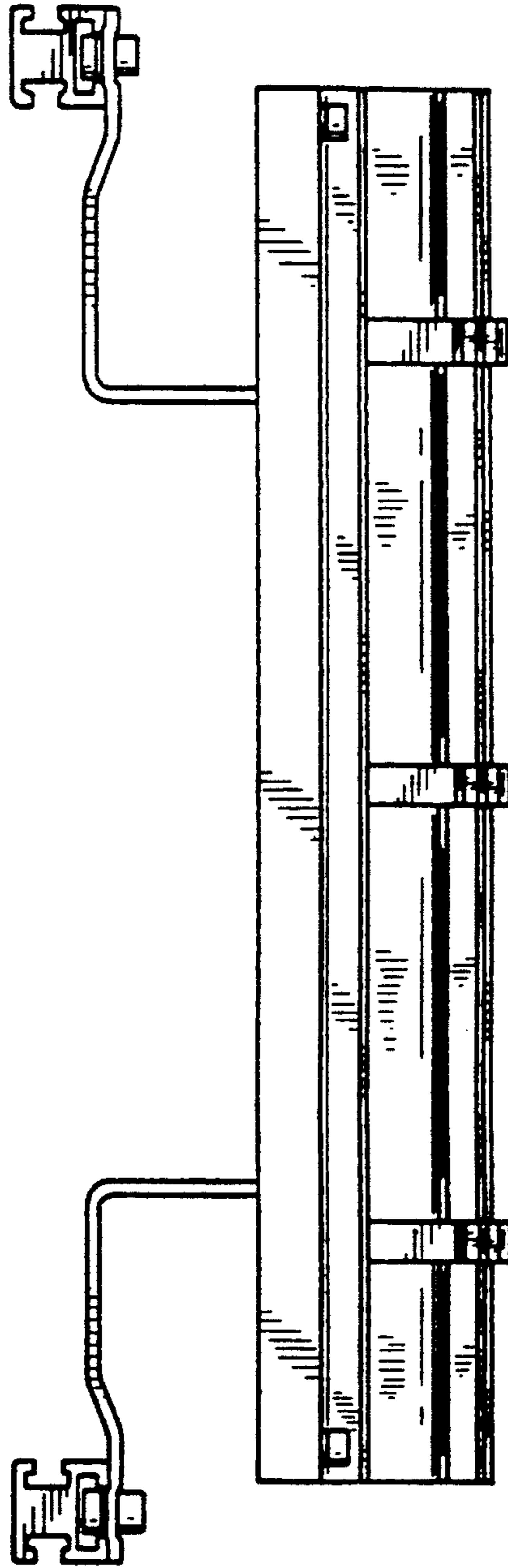


Fig. 6

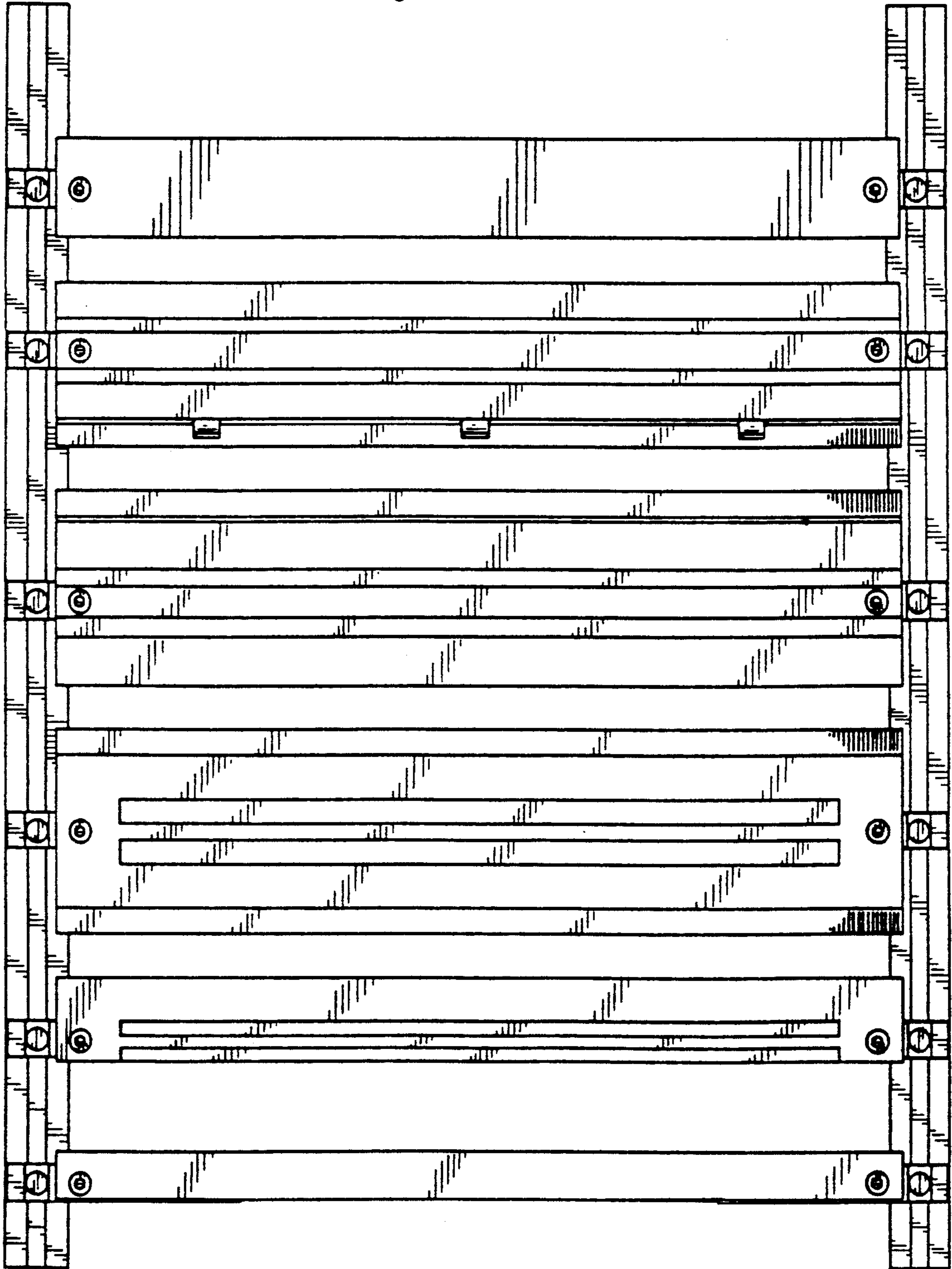


Fig. 7

