



US00D342479S

United States Patent [19]

Kimata

[11] Patent Number: **Des. 342,479**

[45] Date of Patent: **** Dec. 21, 1993**

[54] **BATTERY PACK**

[75] Inventor: **Akinori Kimata**, Anjo, Japan

[73] Assignee: **Makita Corporation**, Anjo, Japan

[**] Term: **14 Years**

[21] Appl. No.: **862,276**

[22] Filed: **Apr. 2, 1992**

[30] **Foreign Application Priority Data**

Oct. 7, 1991 [JP] Japan 3-30390

[52] U.S. Cl. **D13/103**

[58] Field of Search D13/103; D14/114, 138, D14/217; 320/234; 429/96, 97, 98, 99, 100, 121, 122, 123

[56] **References Cited**

U.S. PATENT DOCUMENTS

D. 304,822 11/1989 Fushiya et al. D13/103

D. 306,573 3/1990 Schultz D13/103
D. 334,012 3/1993 Chen D13/103

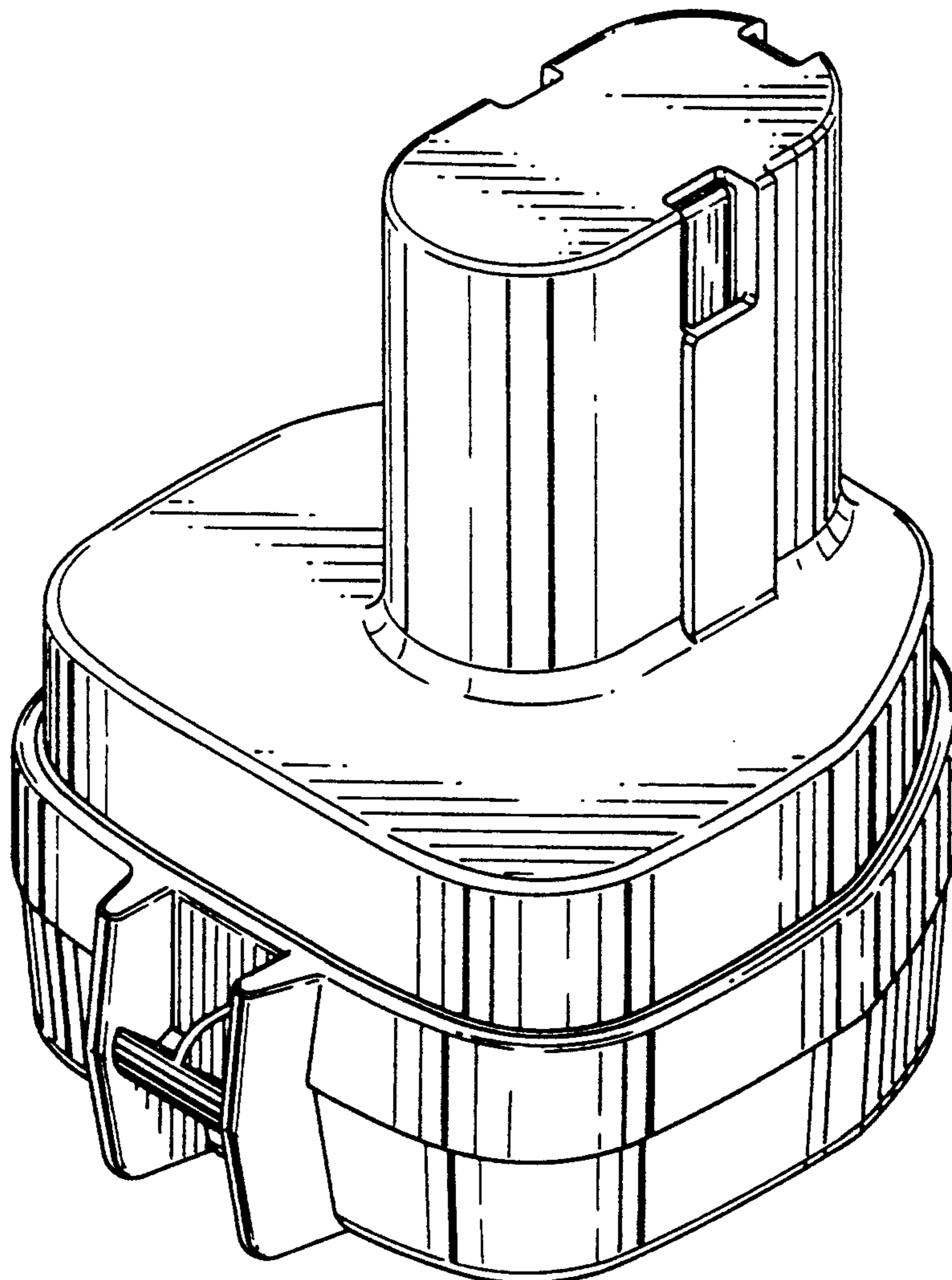
Primary Examiner—Wallace R. Burke
Assistant Examiner—Joel Sincavage
Attorney, Agent, or Firm—Dennison, Meserole, Pollack & Scheiner

[57] **CLAIM**

The ornamental design for a battery pack, as shown and described.

DESCRIPTION

FIG. 1 is a perspective view of a battery pack showing my new design;
FIG. 2 is a front elevational view thereof;
FIG. 3 is a rear elevational view thereof;
FIG. 4 is a left side elevational view thereof;
FIG. 5 is a right side elevational view thereof;
FIG. 6 is a top plan view thereof; and,
FIG. 7 is a bottom plan view thereof.



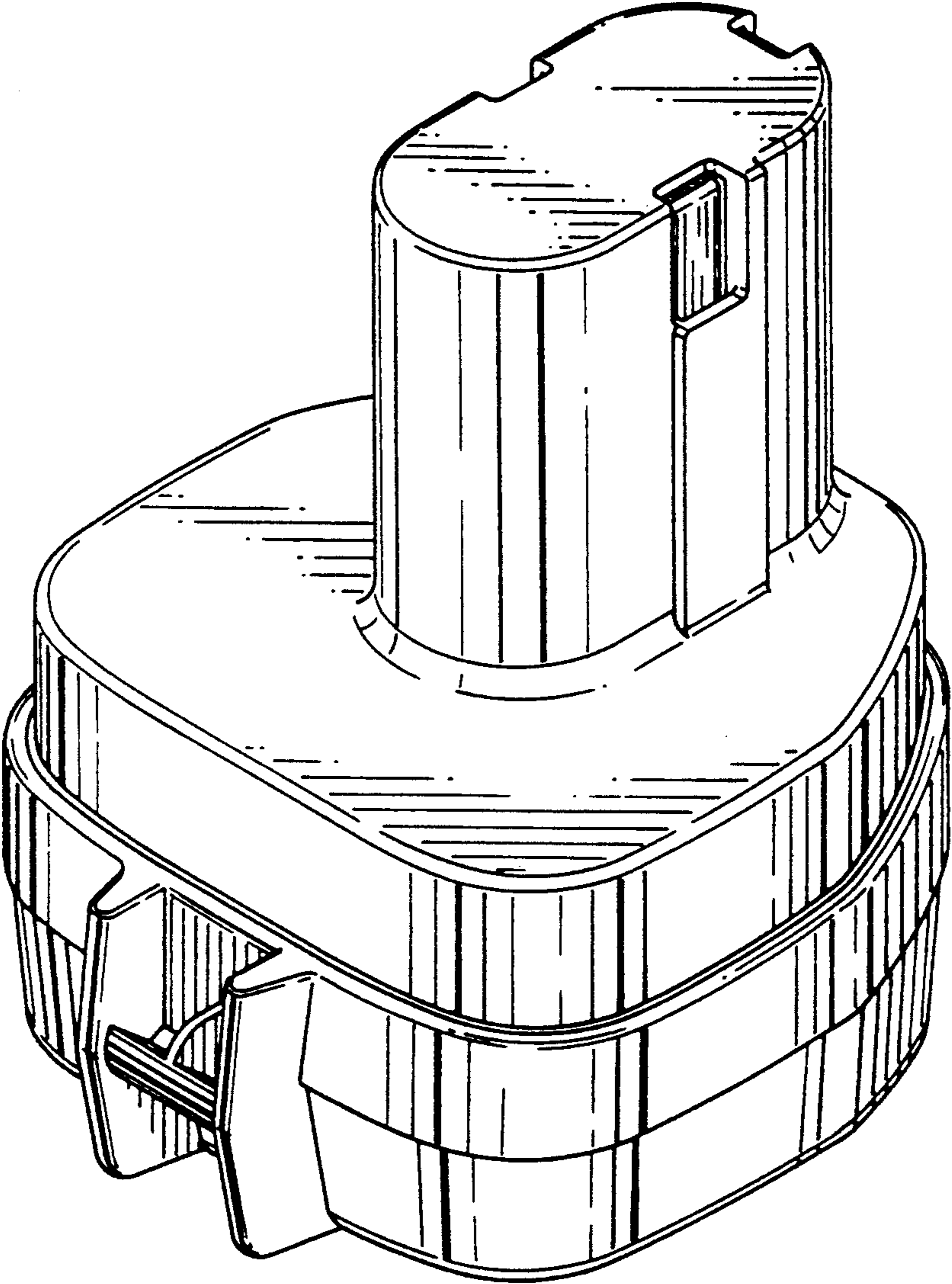


FIG. 1

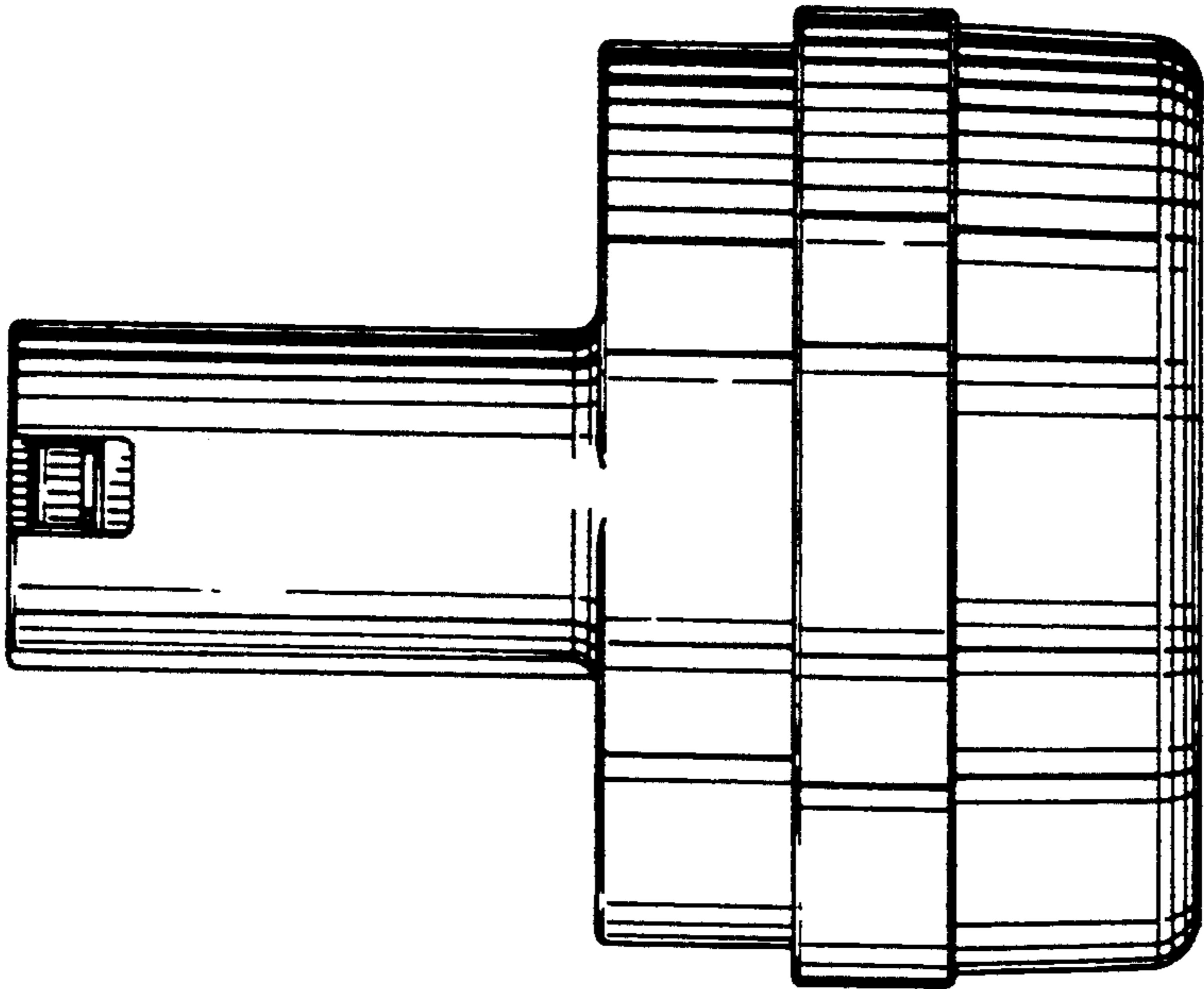


FIG. 2

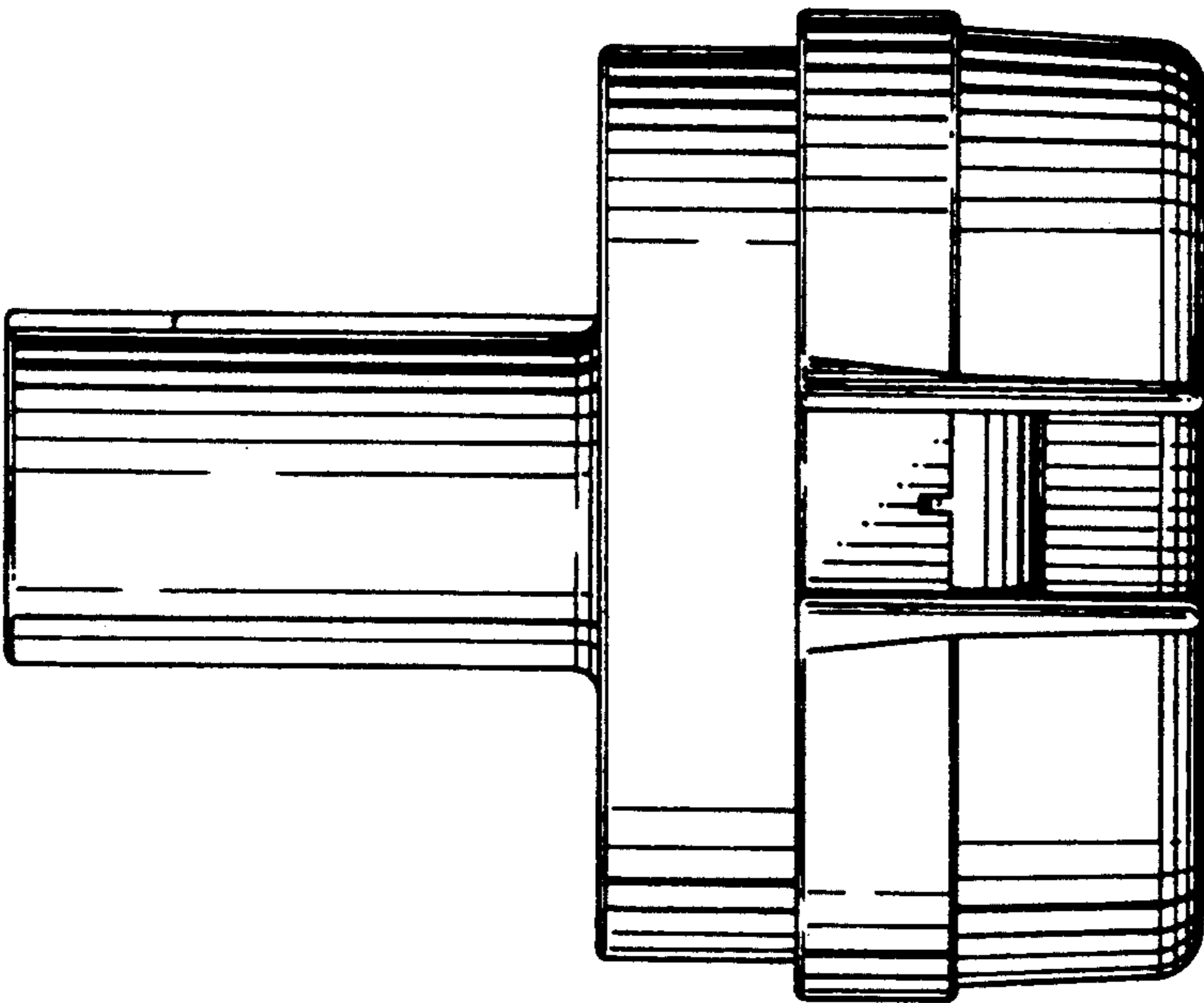


FIG. 3

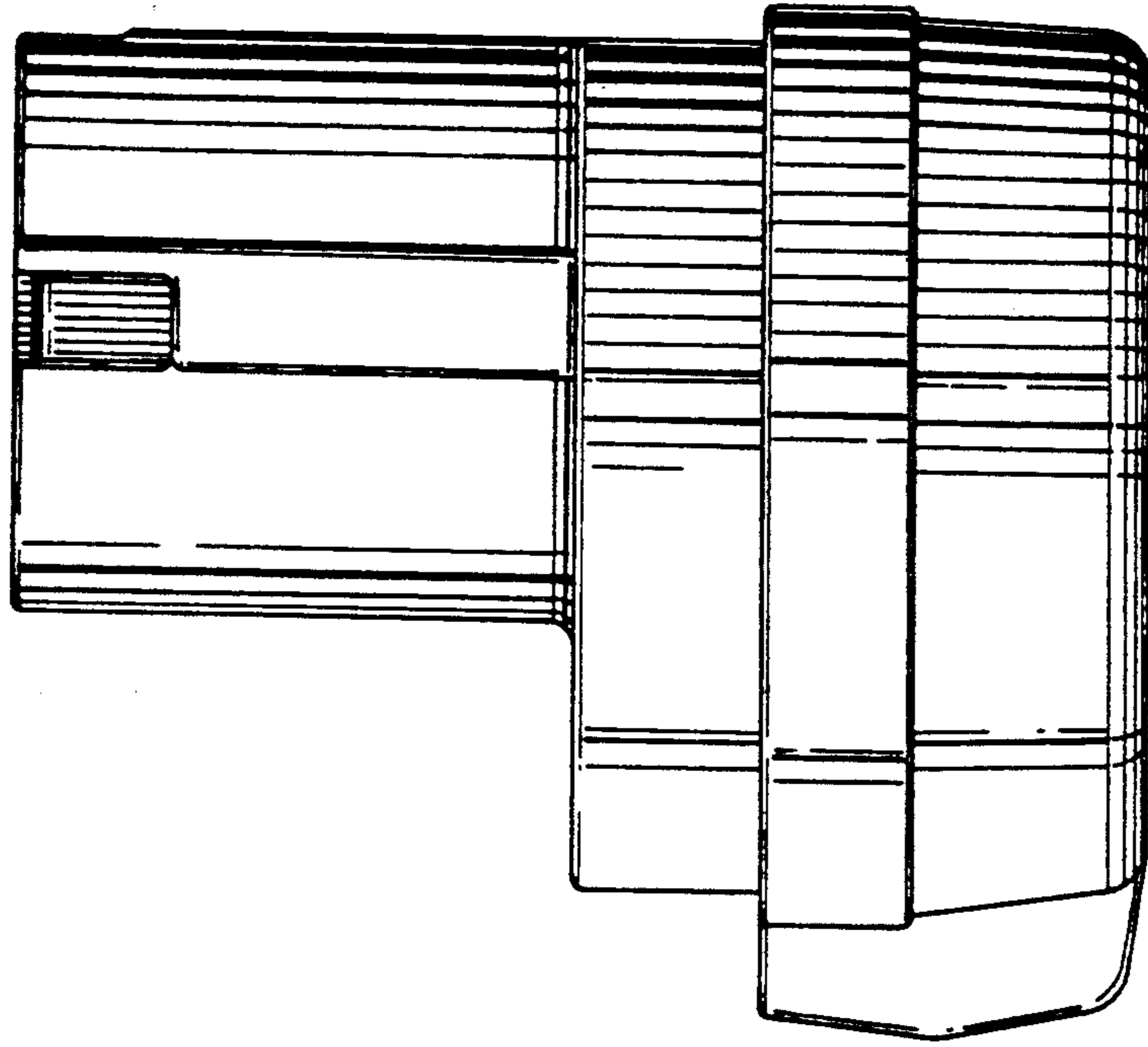


FIG. 5

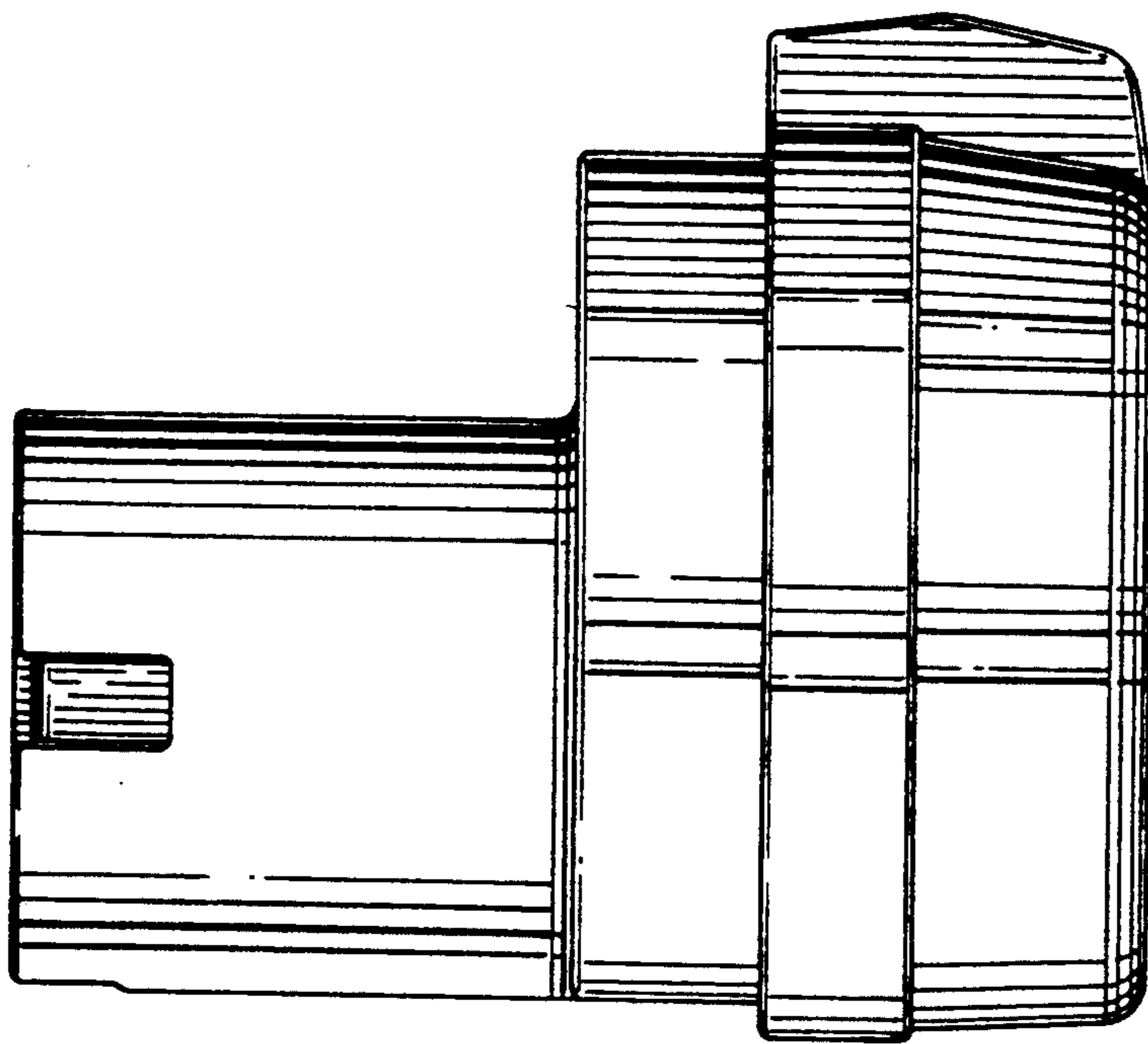


FIG. 4

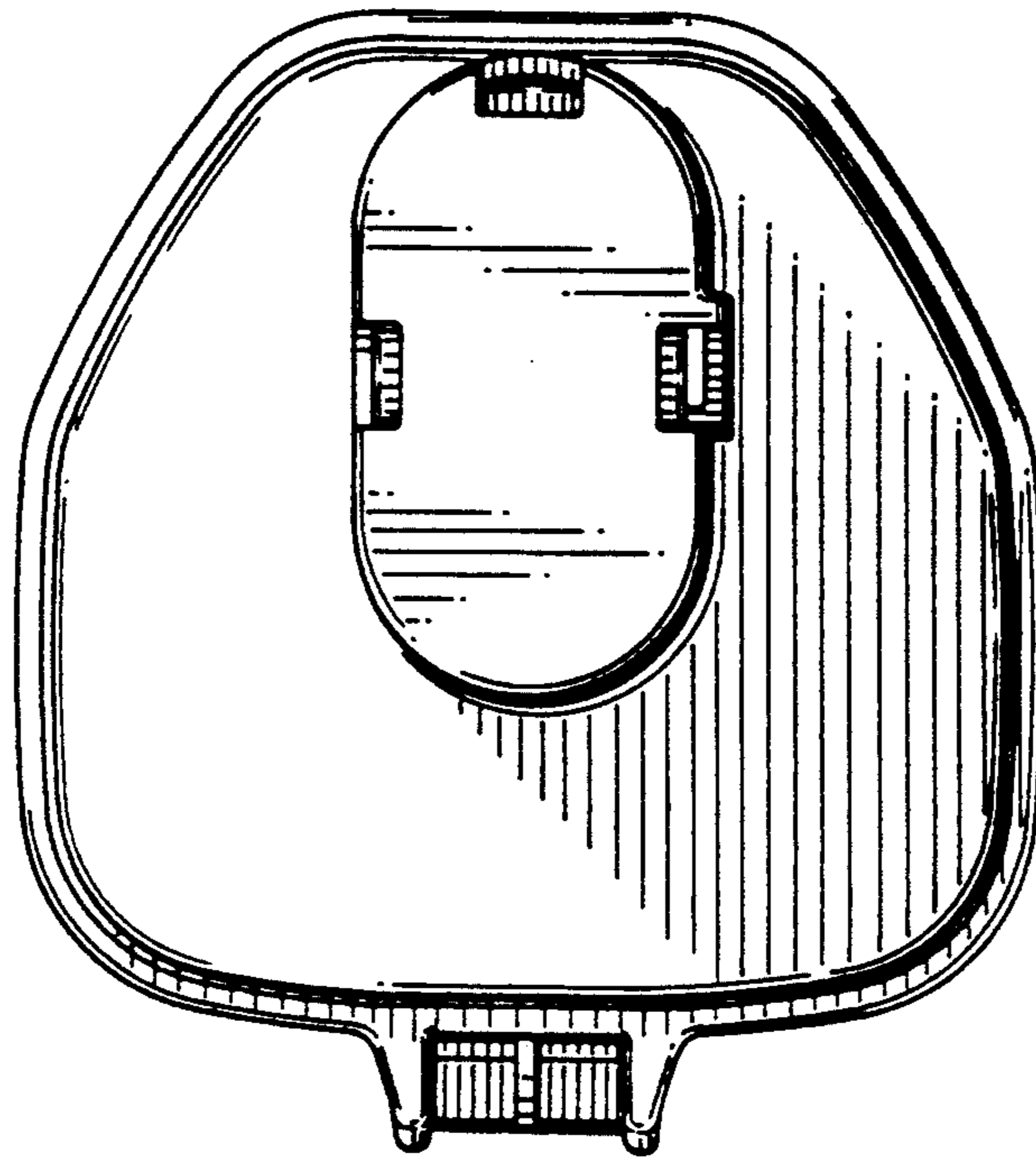


FIG. 6

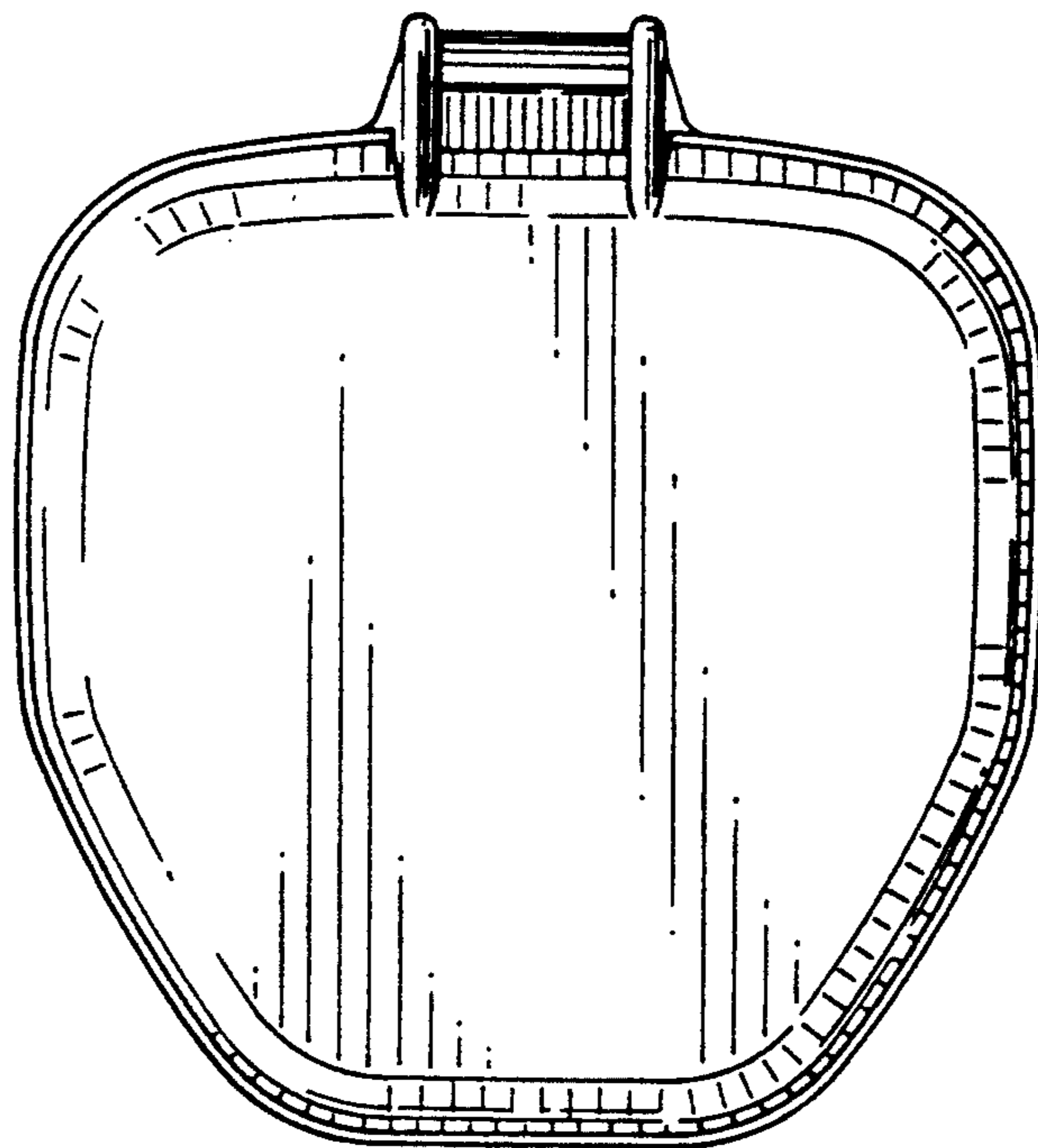


FIG. 7