



US00D342471S

United States Patent [19]

[11] Patent Number: **Des. 342,471**

Kirila, II et al.

[45] Date of Patent: **** Dec. 21, 1993**

[54] **VEHICLE ATTACHED STORAGE BOX FOR CHAINS**

[76] Inventors: **Gene E. Kirila, II**, 7291 Oakwood Dr., Brookfield, Ohio 44403; **James S. Lapikas**, 3554 Saranac Dr., Sharpsville, Pa. 16150

[**] Term: **14 Years**

[21] Appl. No.: **941,641**

[22] Filed: **Sep. 9, 1992**

[52] U.S. Cl. **D12/157**

[58] Field of Search **D12/155, 157; D9/430, D9/431; D7/316; 296/37.1, 37.6, 37.7, 37.14; 224/273, 42.42; 280/769**

[56] **References Cited**

U.S. PATENT DOCUMENTS

D. 264,180	5/1982	Bartz	D12/155
4,838,598	6/1989	Hyde	296/50
4,938,398	7/1990	Hallsen	224/42.42
4,948,169	8/1990	Amundson	280/769
5,125,710	6/1992	Gianelo	296/37.1

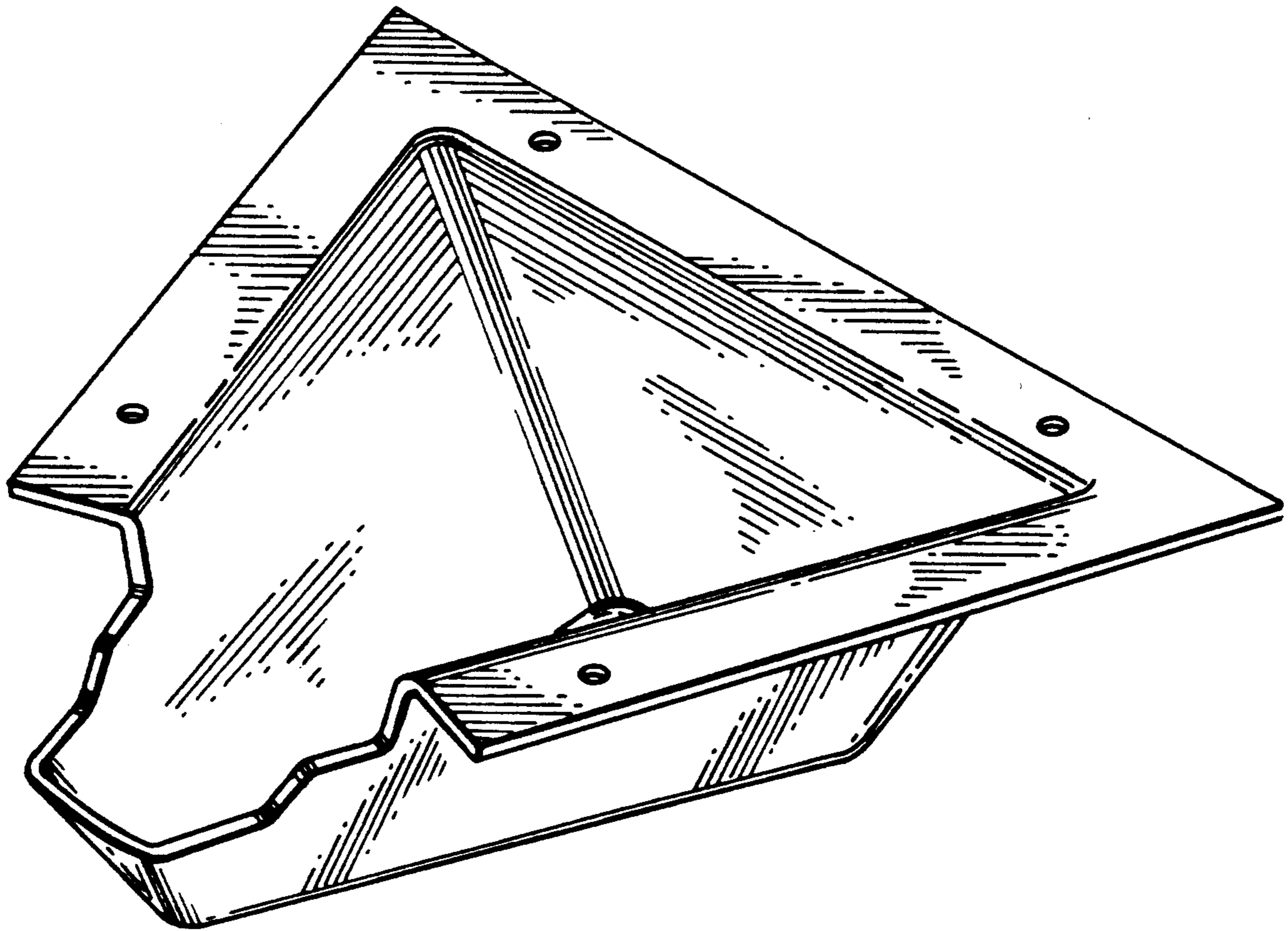
Primary Examiner—James M. Gandy
Attorney, Agent, or Firm—Dennison, Meserole, Pollack & Scheiner

[57] **CLAIM**

The ornamental design for a vehicle attached storage box for chains, as shown and described.

DESCRIPTION

FIG. 1 is a top front and side perspective view of a vehicle attached storage box for chains showing our new design;
FIG. 2 is a top plan view thereof;
FIG. 3 is a bottom plan view thereof;
FIG. 4 is a front elevational view thereof;
FIG. 5 is a rear elevational view thereof;
FIG. 6 is a side elevational view thereof, the opposite side being a mirror image thereof; and,
FIG. 7 is a top front and side perspective view of a vehicle attached storage box for chains showing a second embodiment of our new design, the sole difference being in the shape of the recessed top forward edges of the diverging sides thereof.



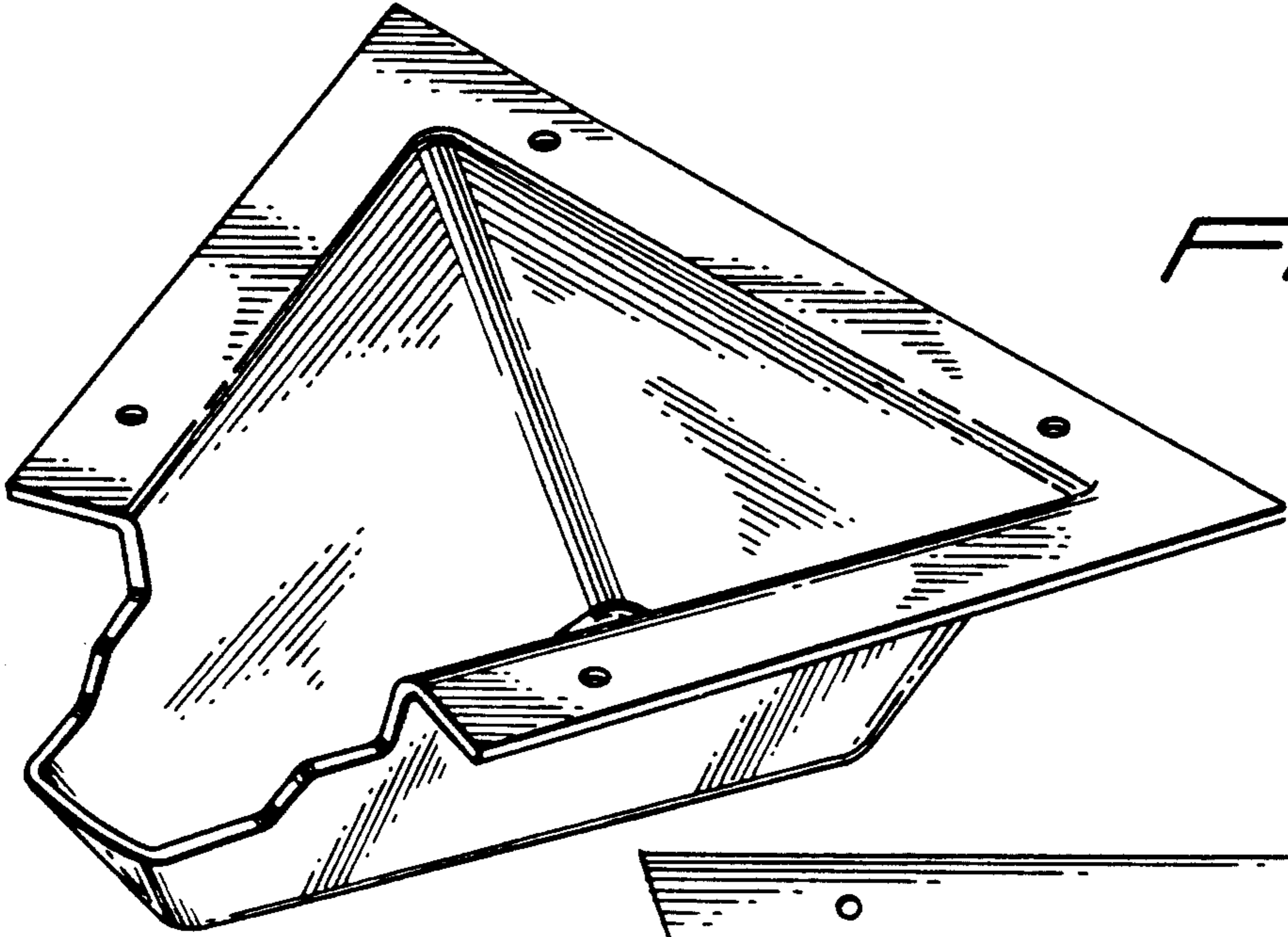


FIG. 1

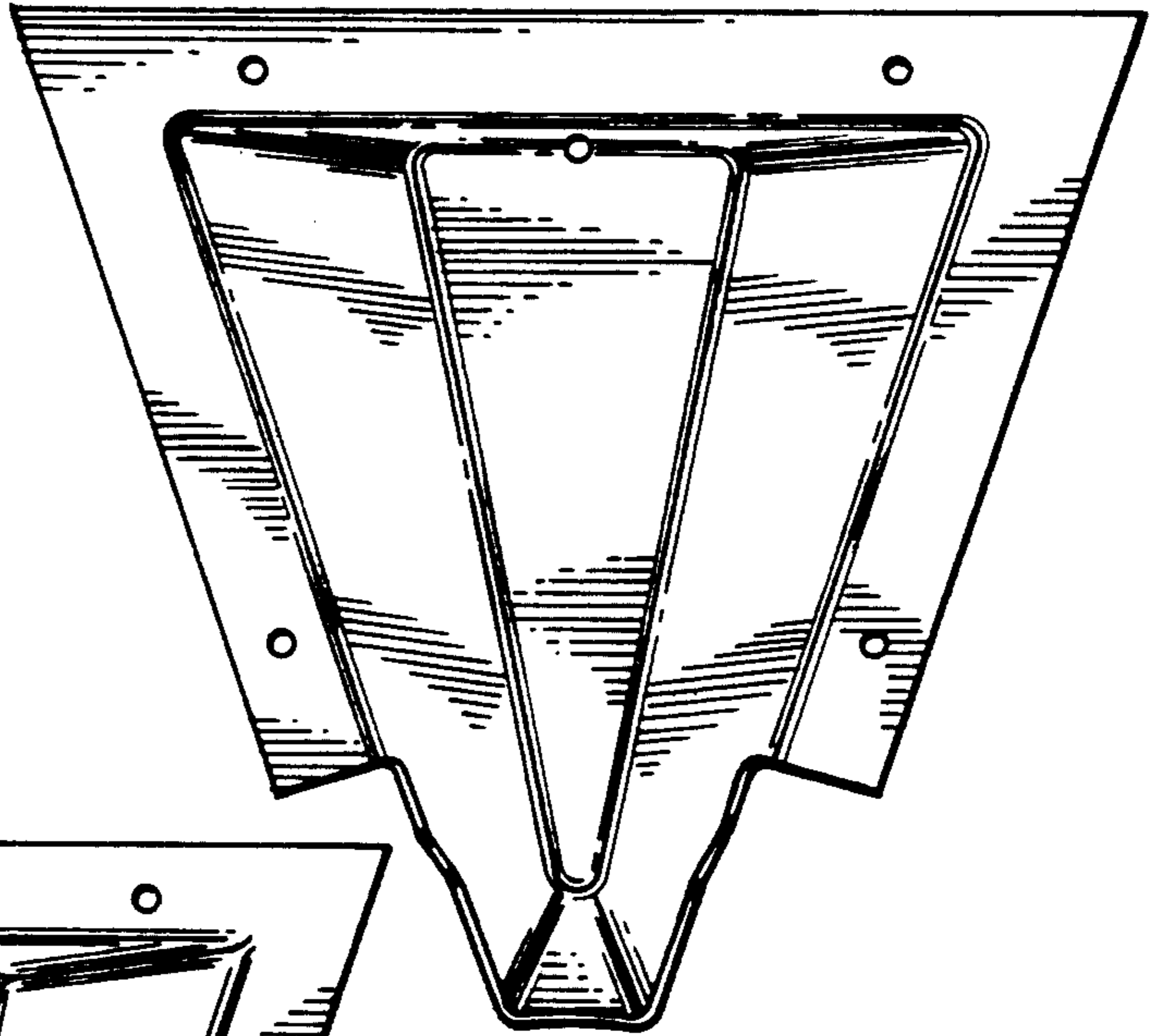


FIG. 2

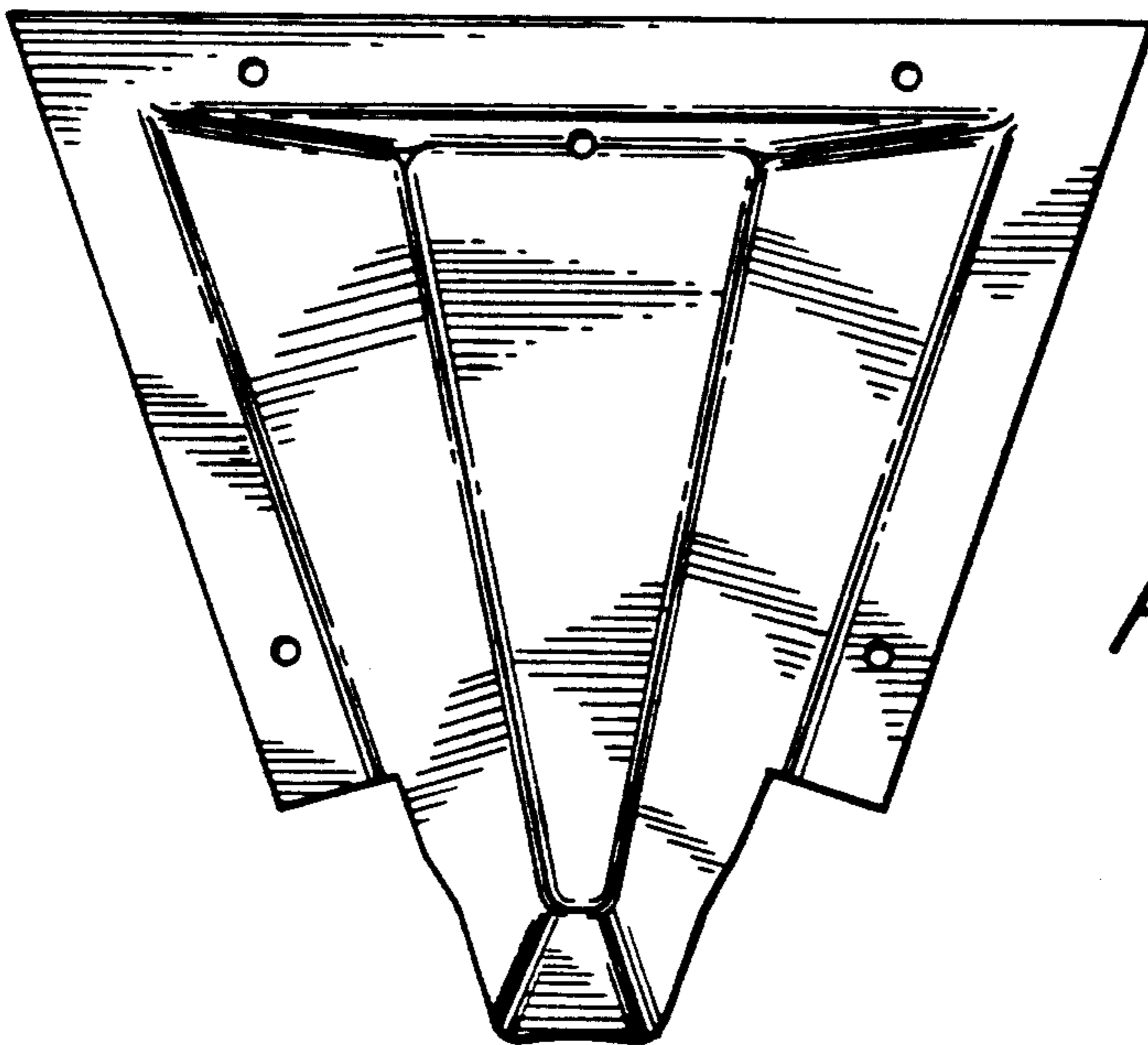


FIG. 3

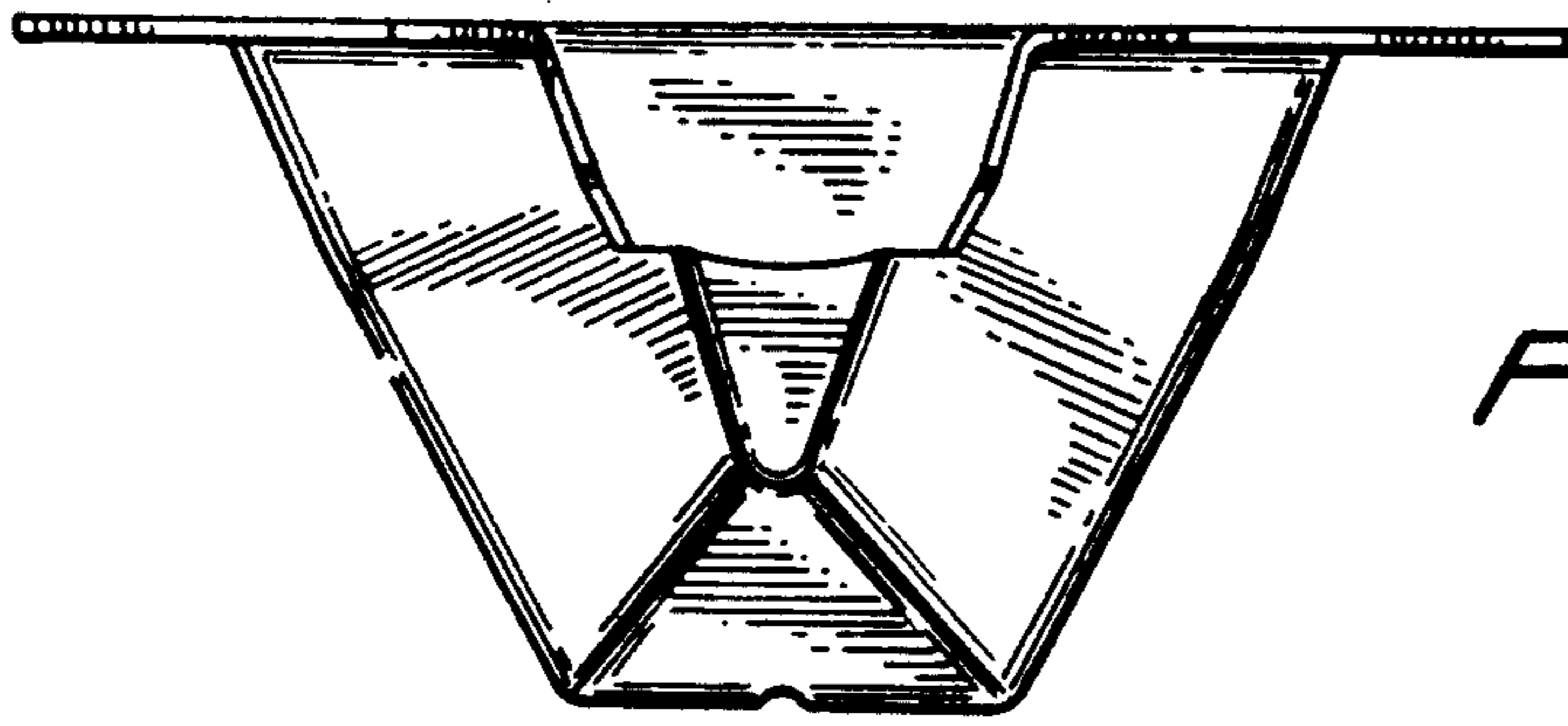


FIG. 4

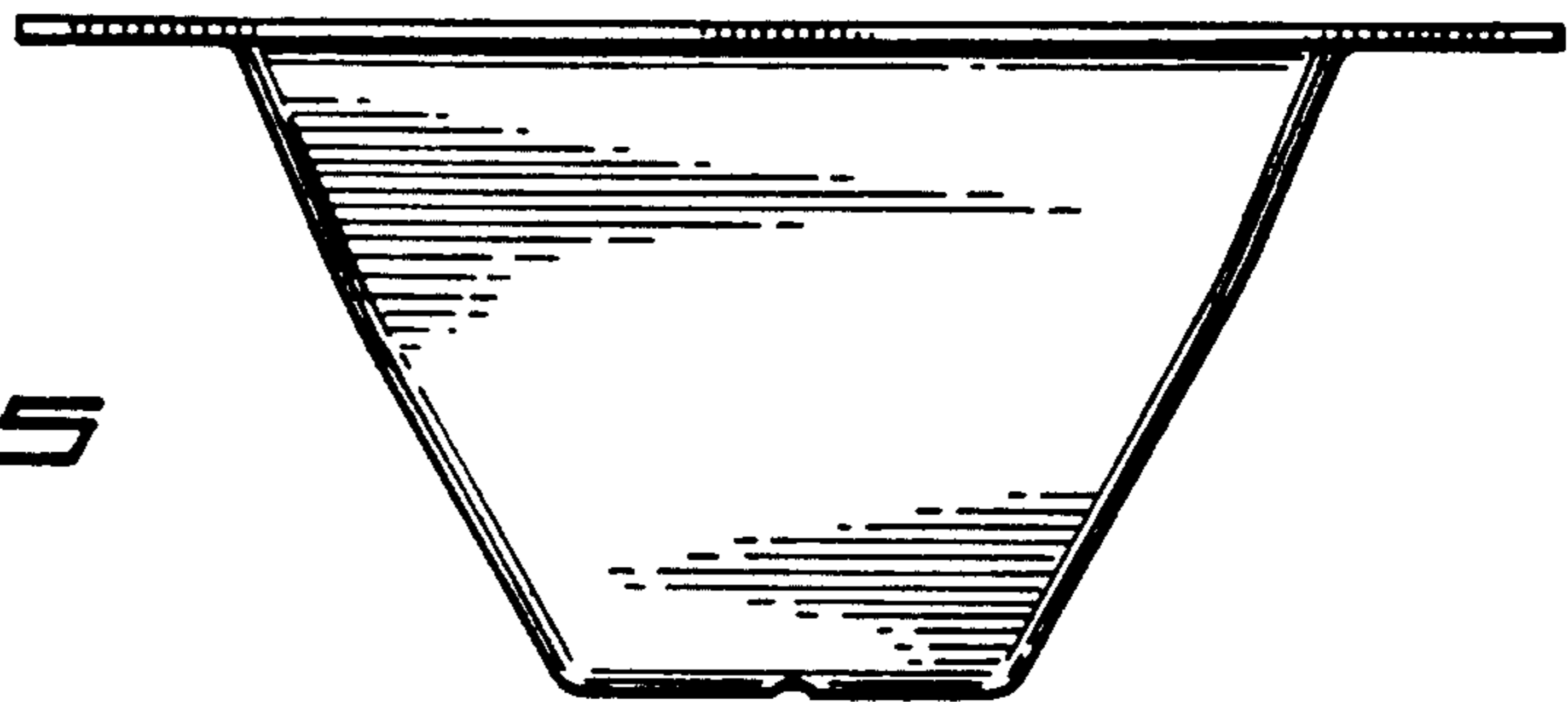


FIG. 5

FIG. 6

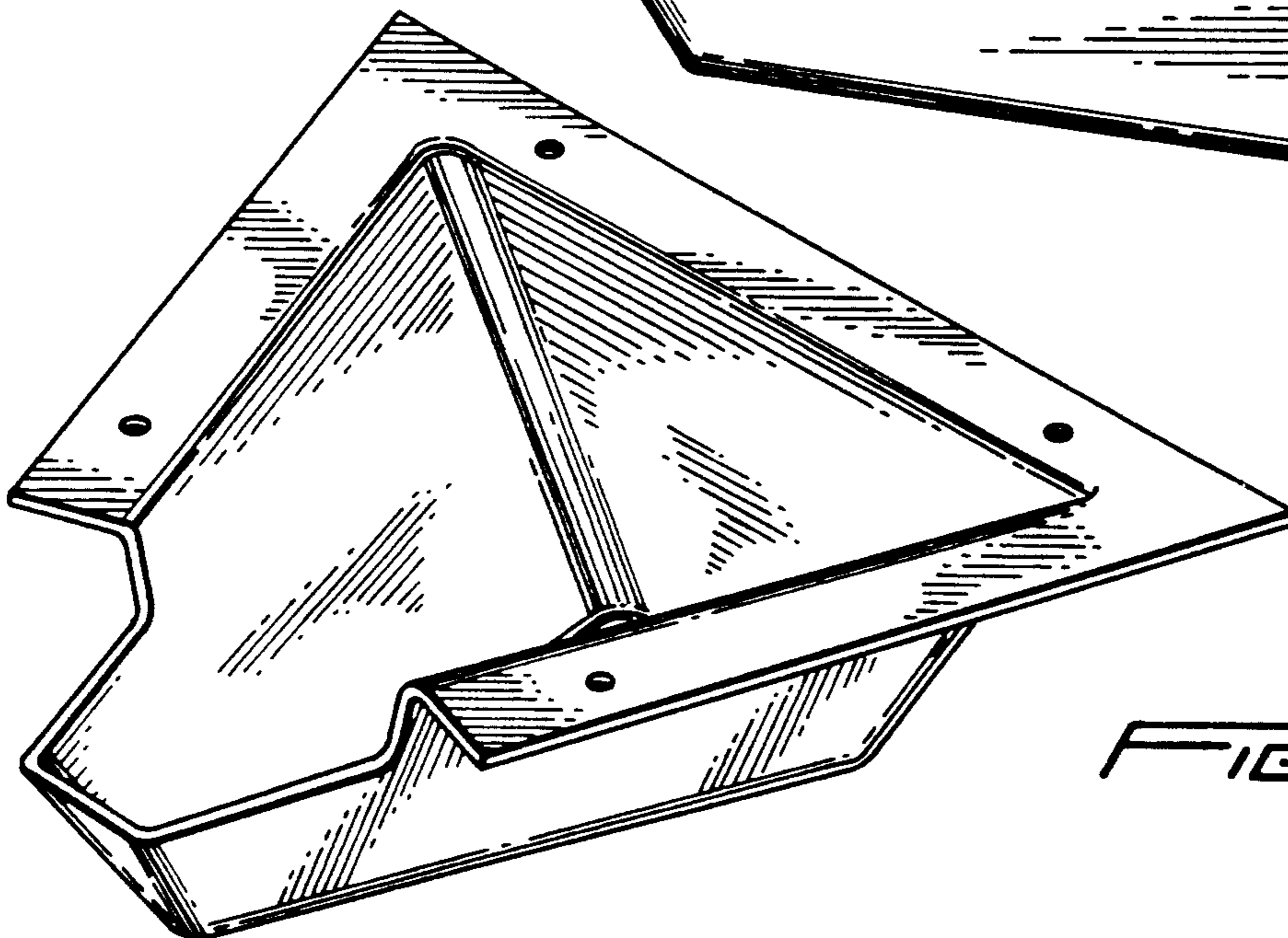
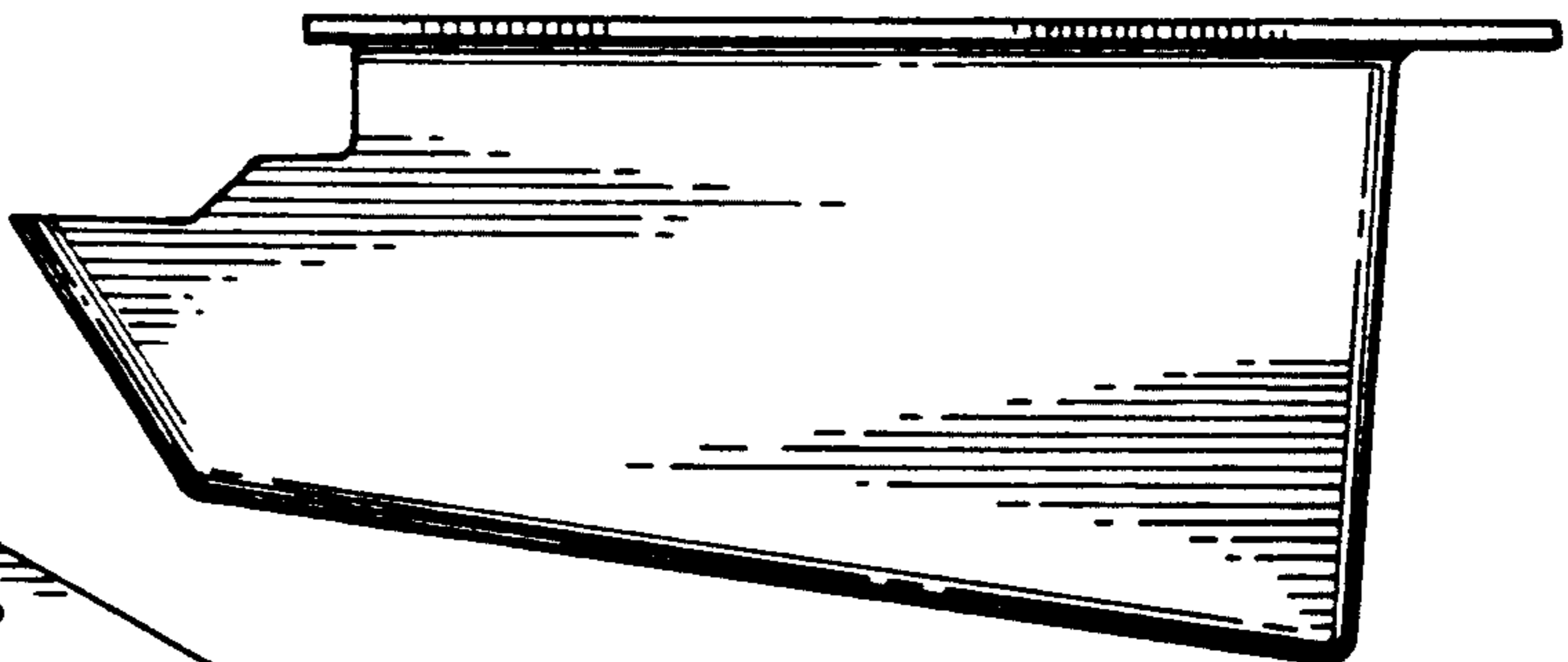


FIG. 7