



US00D342466S

# United States Patent [19]

[11] Patent Number: **Des. 342,466**

Tominaga et al.

[45] Date of Patent: **\*\* Dec. 21, 1993**

[54] SLIDER FOR SLIDE FASTENERS

Assistant Examiner—R. Seifert

[75] Inventors: **Yutaka Tominaga, Toyama; Shinichi Daijougou, Kurobe, both of Japan**

[57] **CLAIM**

The ornamental design for slider for slide fasteners, as shown.

[73] Assignee: **Yoshida Kogyo K.K., Tokyo, Japan**

[\*\*] Term: **14 Years**

### DESCRIPTION

[21] Appl. No.: **798,414**

FIG. 1 is a front view of a slider for slide fasteners; FIG. 2 is a rear view of the slider for slide fasteners of FIG. 1;

[22] Filed: **Nov. 26, 1991**

[52] U.S. Cl. .... **D11/221**

FIG. 3 is a plan view of the slider for slide fasteners of FIG. 1;

[58] Field of Search ..... **D11/200, 221; 24/381, 24/385, 415-417, 427-431; 70/456; 264/252**

FIG. 4 is a base view of the slider for slide fasteners of FIG. 1;

[56] **References Cited**

#### U.S. PATENT DOCUMENTS

- D. 291,670 9/1987 Takabatake ..... D11/221
- D. 291,671 9/1987 Keyaki ..... D11/221
- 4,922,585 5/1990 Suzuki ..... 24/381

FIG. 5 is a left side view of the slider for slide fasteners of FIG. 1;

FIG. 6 is a right side view of the slider for slide fasteners of FIG. 1;

FIG. 7 is a cross-sectional view taken on line 7—7 of FIG. 1; and,

FIG. 8 is a cross-sectional view taken on line 8—8 of FIG. 1.

Primary Examiner—A. Hugo Word

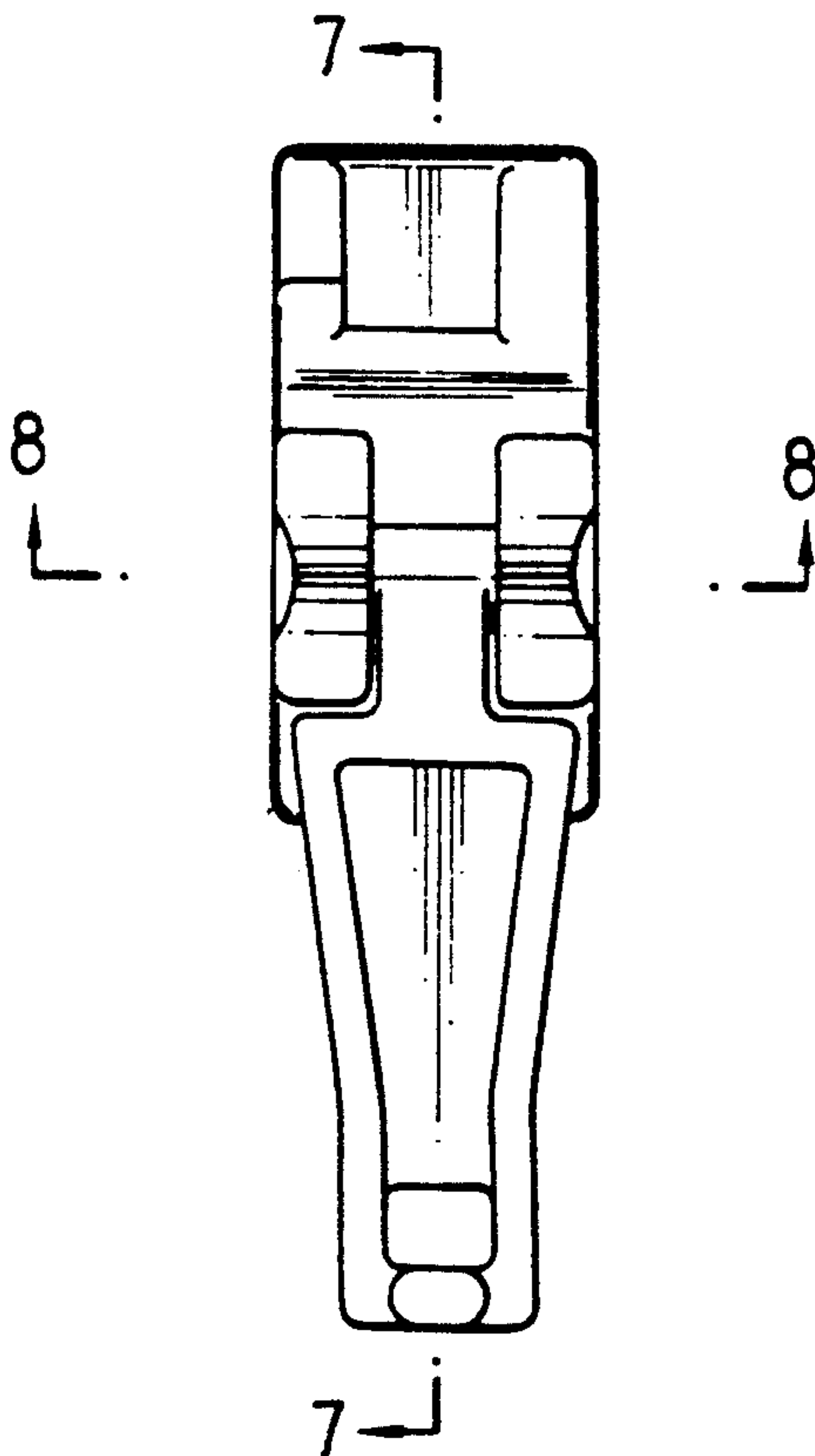


FIG. 1

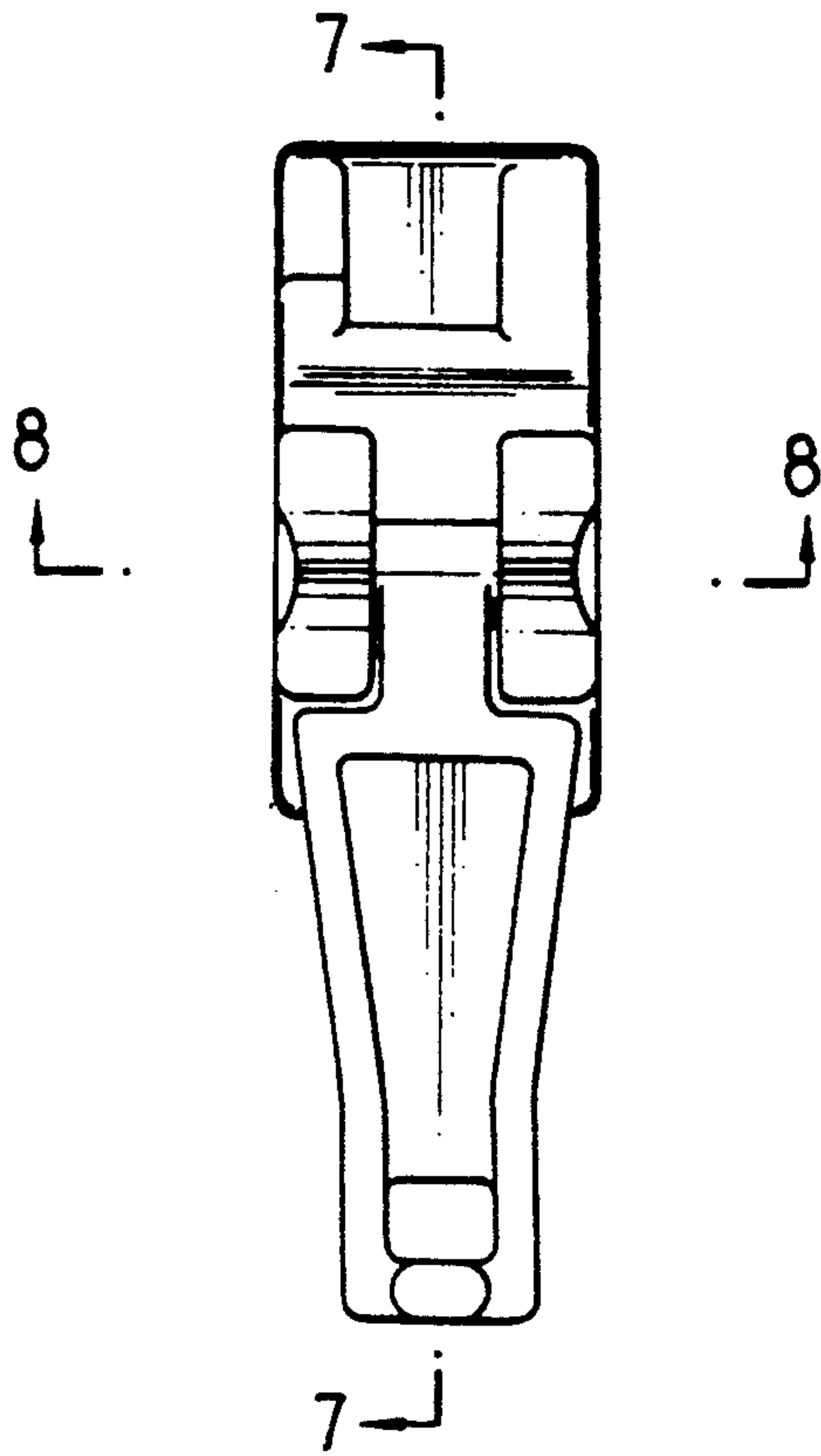


FIG. 2

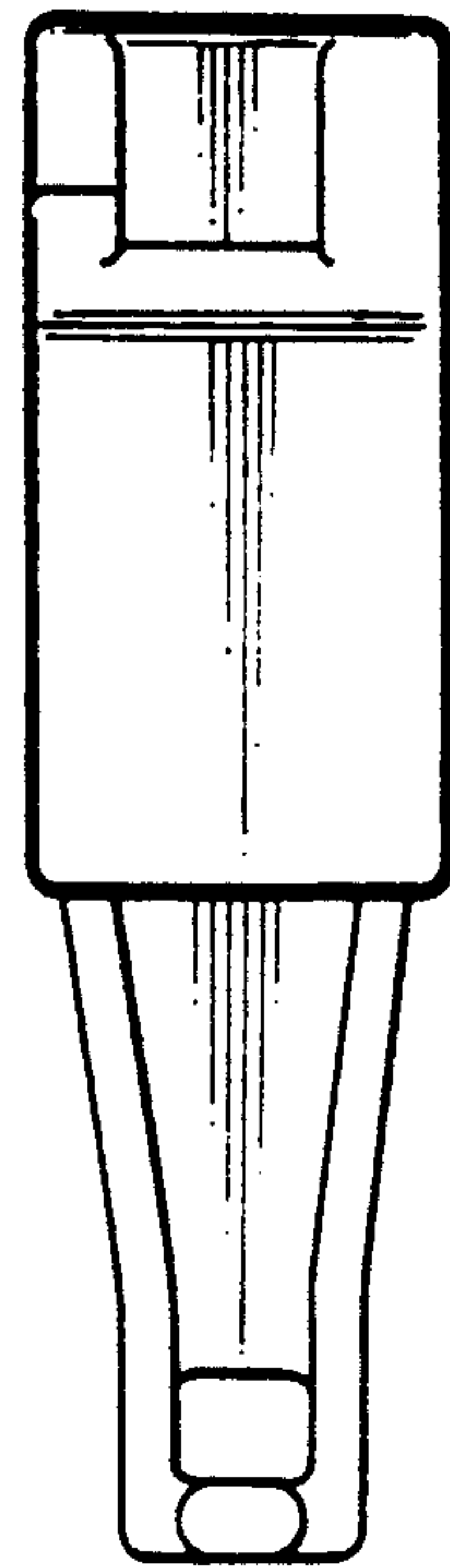


FIG. 3

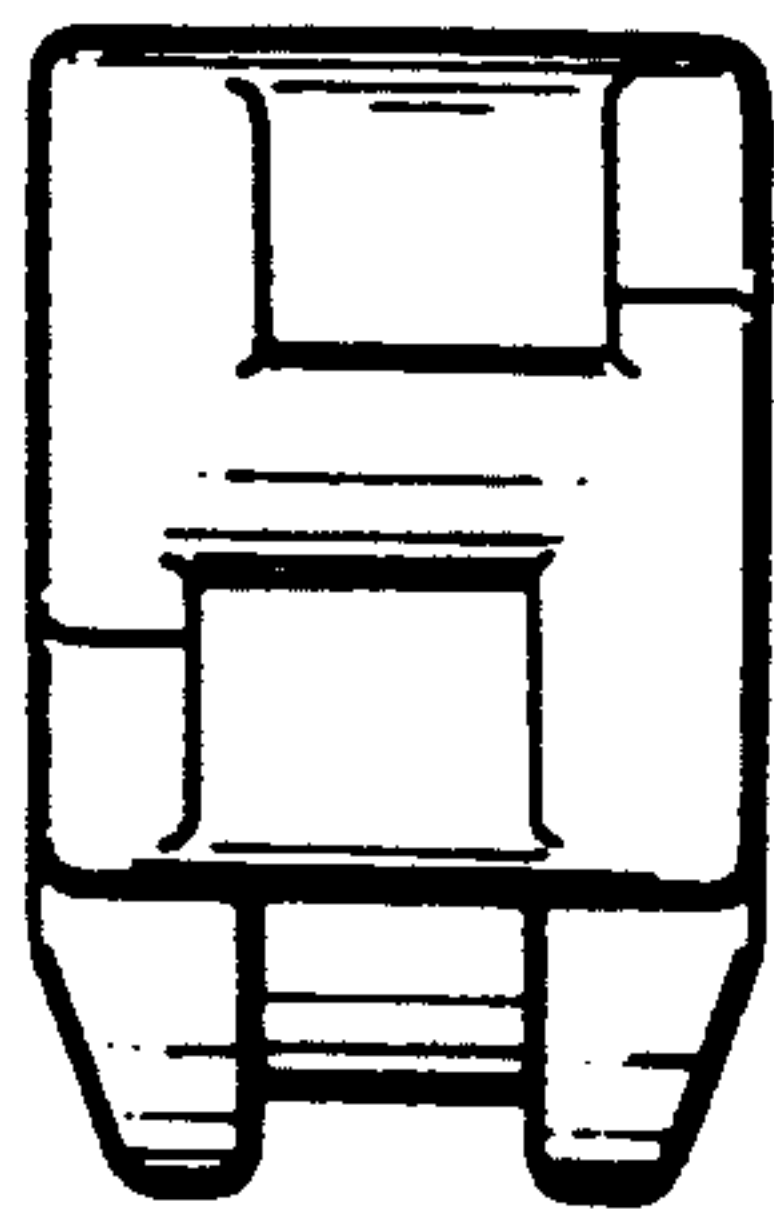


FIG. 4

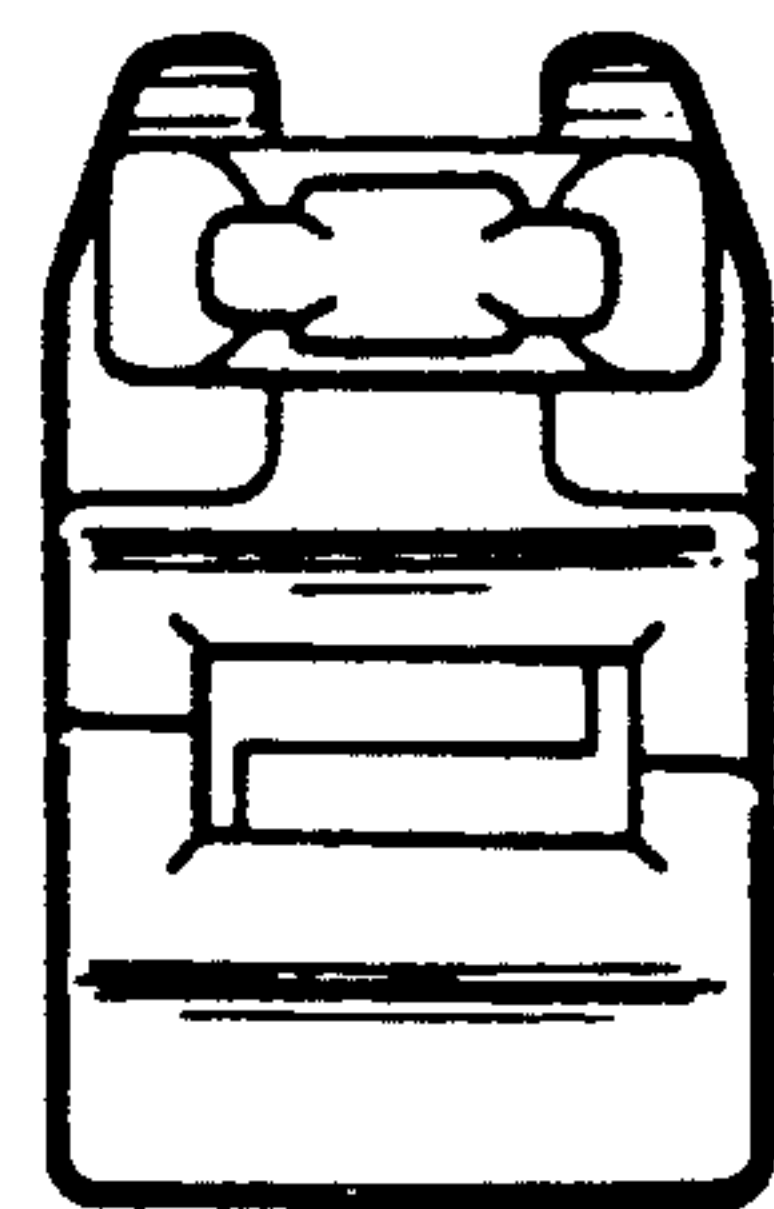


FIG. 5

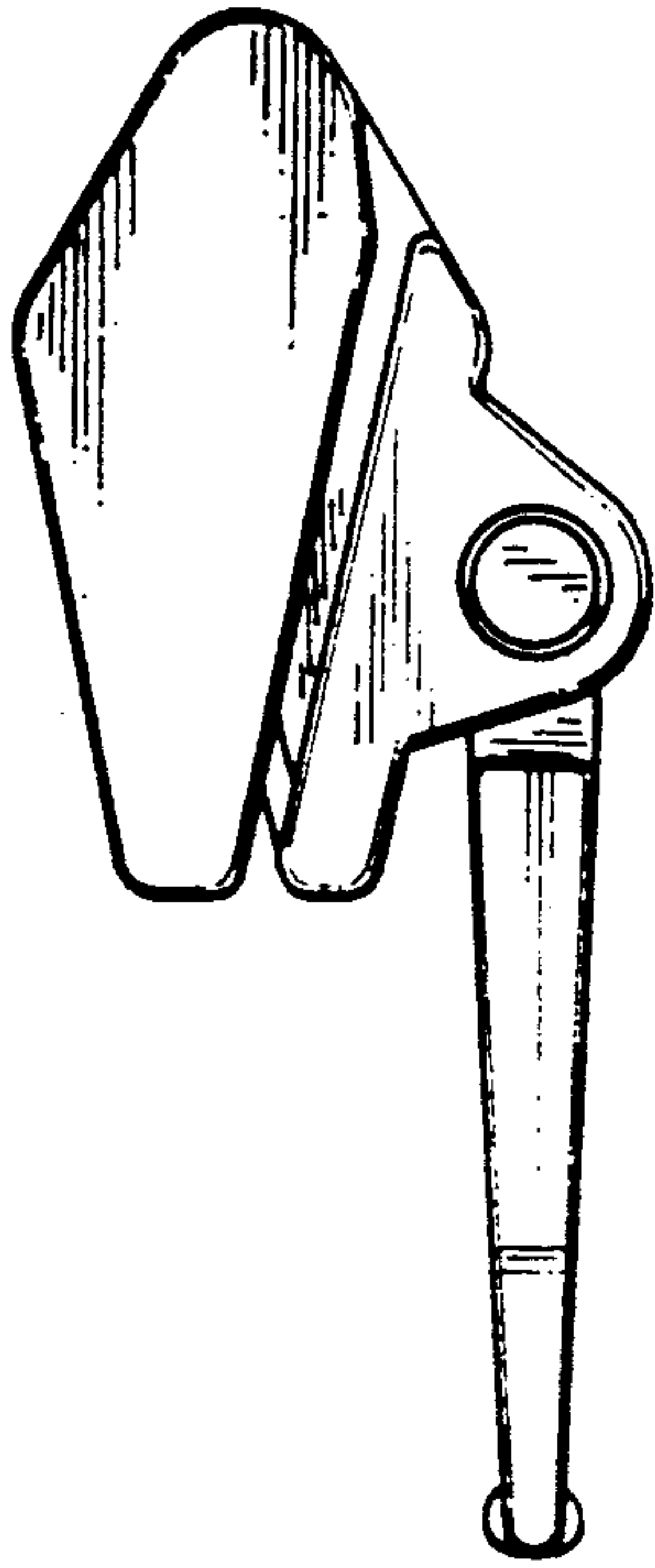


FIG. 6

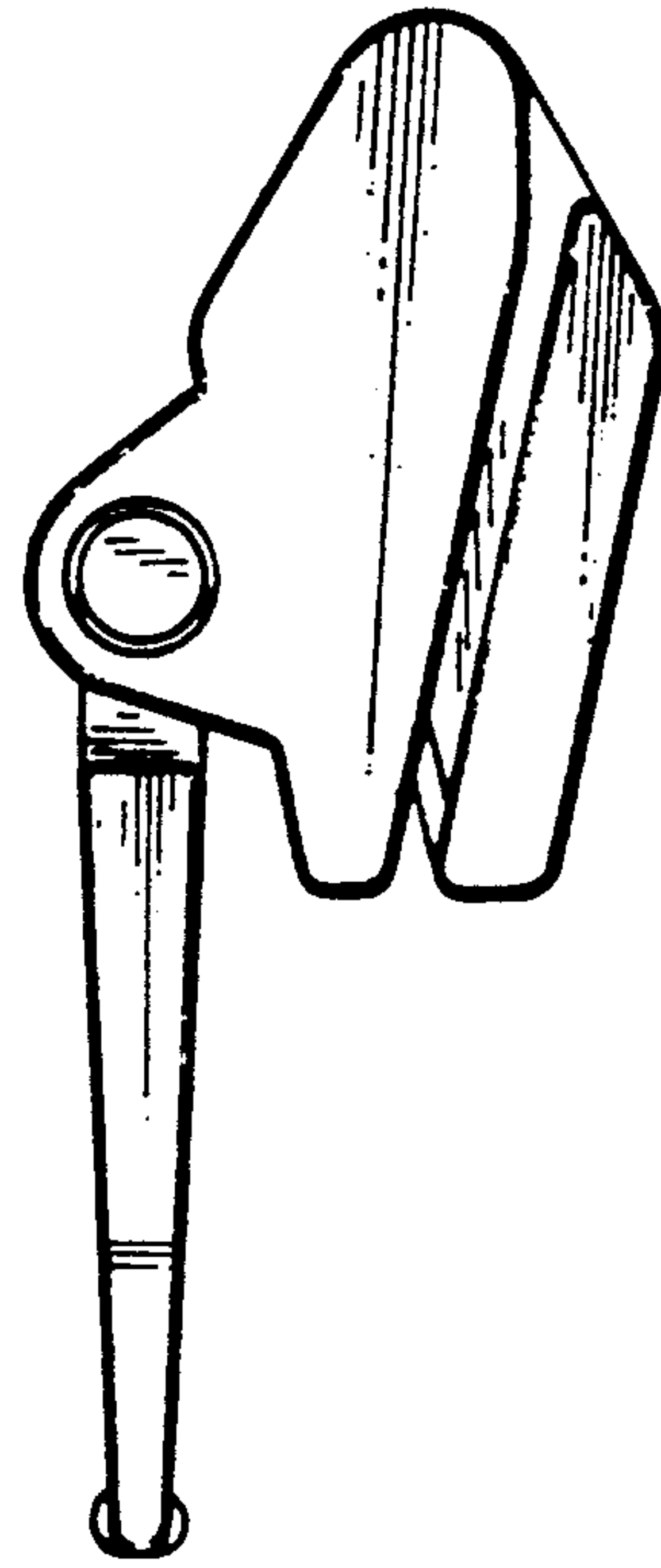


FIG. 7

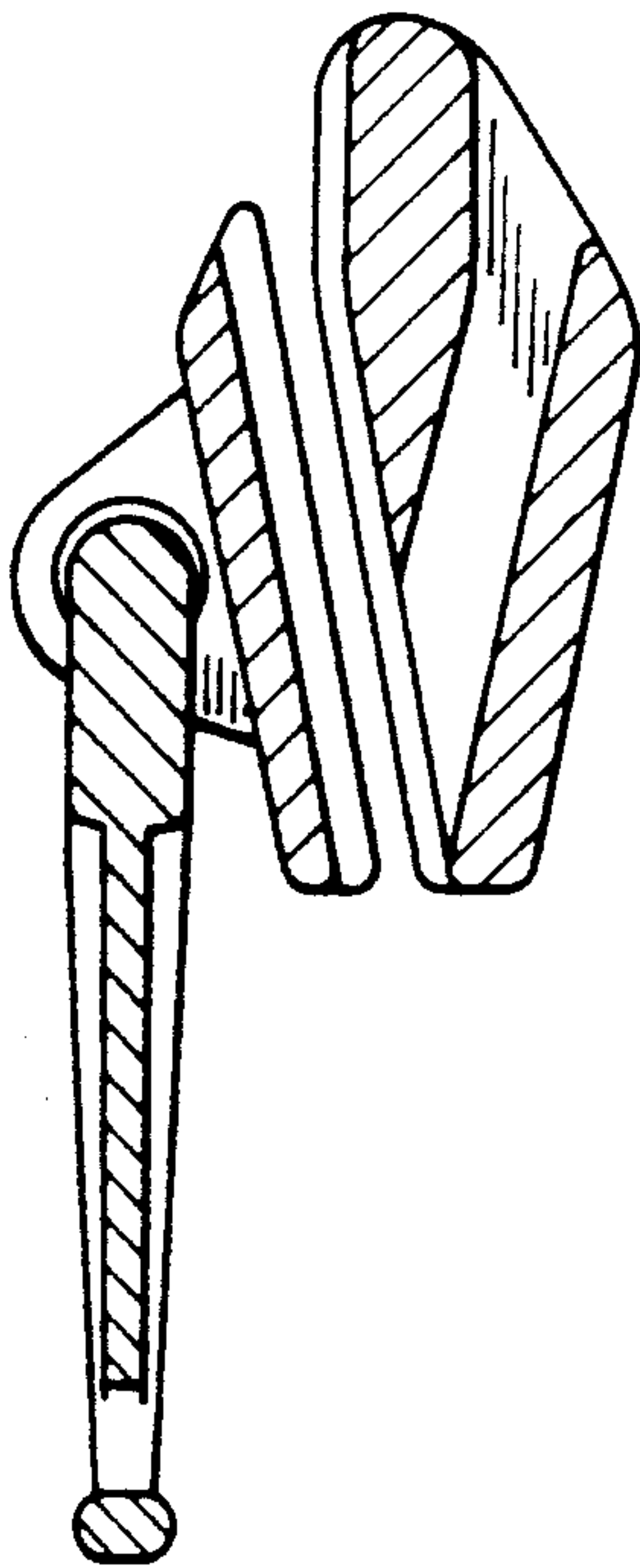


FIG. 8

