



US00D342465S

United States Patent [19]

Anthony et al.

[11] Patent Number: Des. 342,465

[45] Date of Patent: ** Dec. 21, 1993

[54] SEAT BELT BUCKLE TONGUE FOR MULTIPLE BELTS

[75] Inventors: James R. Anthony, Carmel; Suzanne J. Mueller, Beech Grove; Michael A. Wiseman, Indianapolis, all of Ind.

[73] Assignee: Indiana Mills & Manufacturing, Inc., Westfield, Ind.

[**] Term: 14 Years

[21] Appl. No.: 784,053

[22] Filed: Oct. 28, 1991

Related U.S. Application Data

[63] Continuation-in-part of Ser. No. 369,928, Jun. 22, 1989, abandoned.

[52] U.S. Cl. D11/218; D11/200

[58] Field of Search D11/200-218, D11/231-232, 87; 24/633, 631, 641, 616, 200, 196-197, 163 R, 68; 297/467

[56] References Cited

U.S. PATENT DOCUMENTS

D. 252,956	9/1979	Frost	D11/200
D. 285,383	9/1986	Anthony	D11/218
4,540,218	9/1985	Thomas	24/633
4,793,032	12/1988	Crowle	24/616

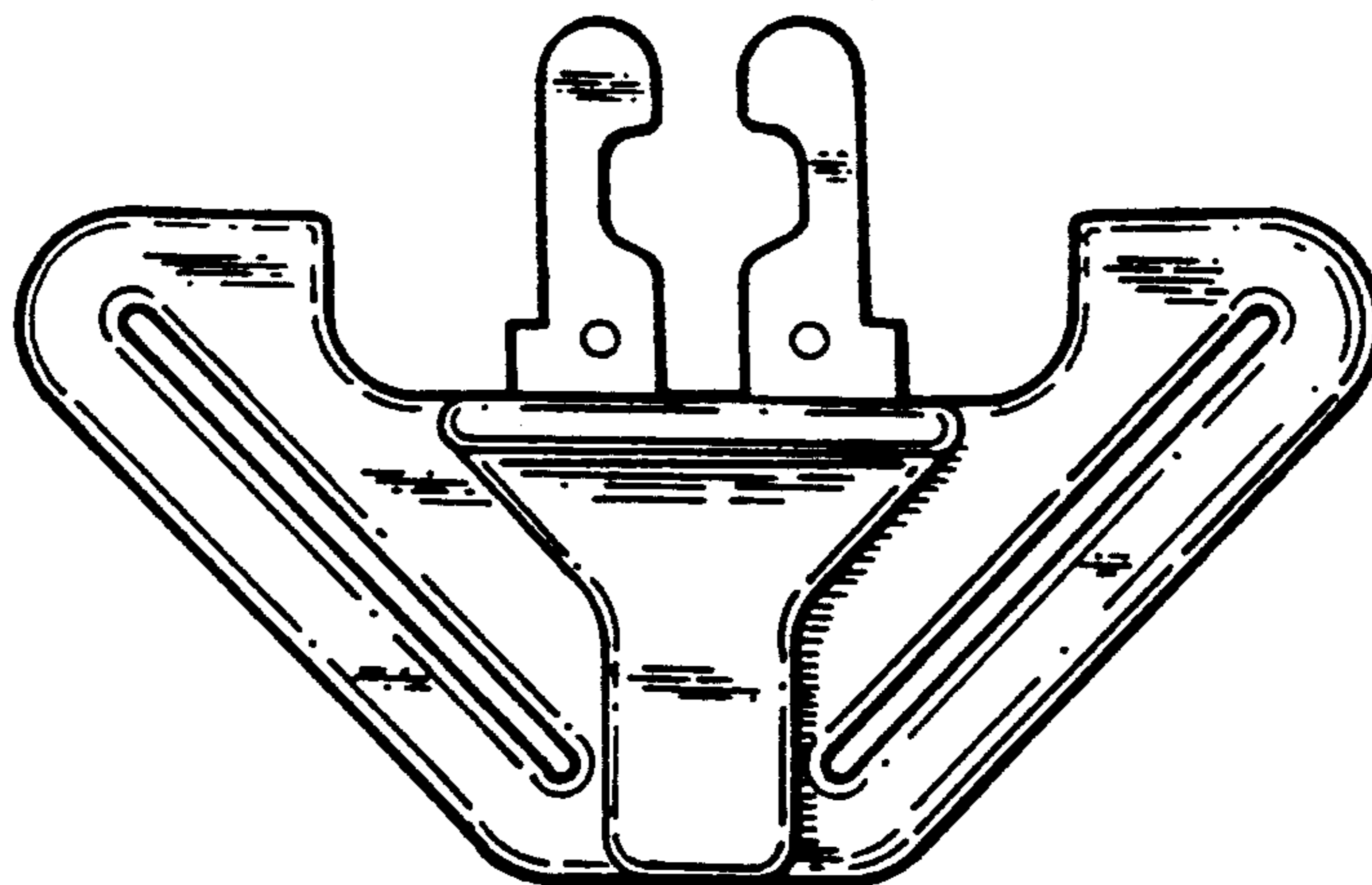
Primary Examiner—A. Hugo Word
Assistant Examiner—R. Seifert
Attorney, Agent, or Firm—Woodard, Emhardt, Naughton, Moriarty & McNett

[57] CLAIM

The ornamental design for a seat belt buckle tongue for multiple belts, as shown and described.

DESCRIPTION

FIG. 1 is a top plan view of a seat belt buckle tongue for multiple belts showing my new design;
FIG. 2 is a right side elevational view, the opposite side being a mirror image;
FIG. 3 is an end elevational view;
FIG. 4 is an end elevational view of the side opposite FIG. 3; and,
FIG. 5 is a bottom plan view.



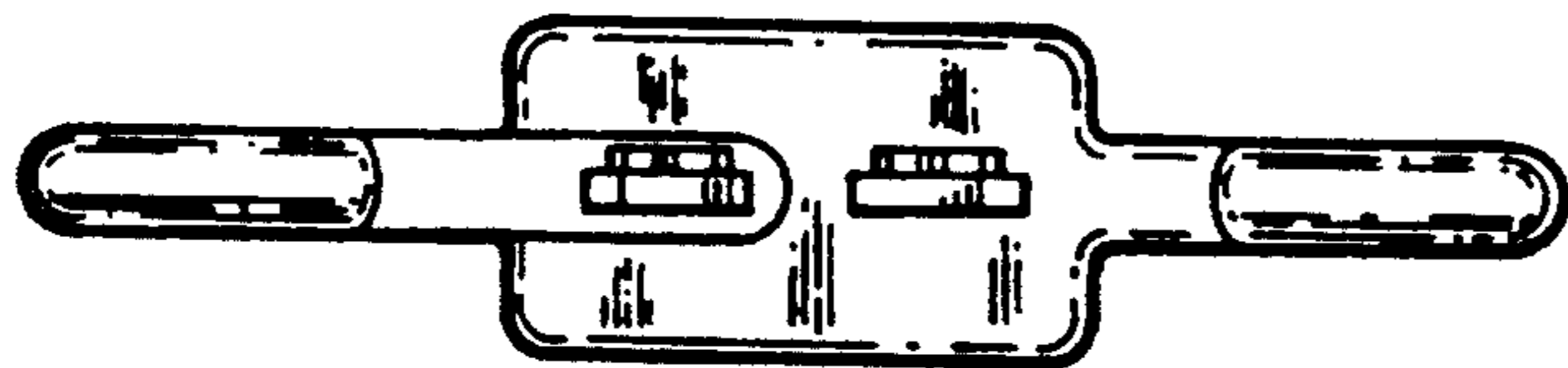


Fig. 3

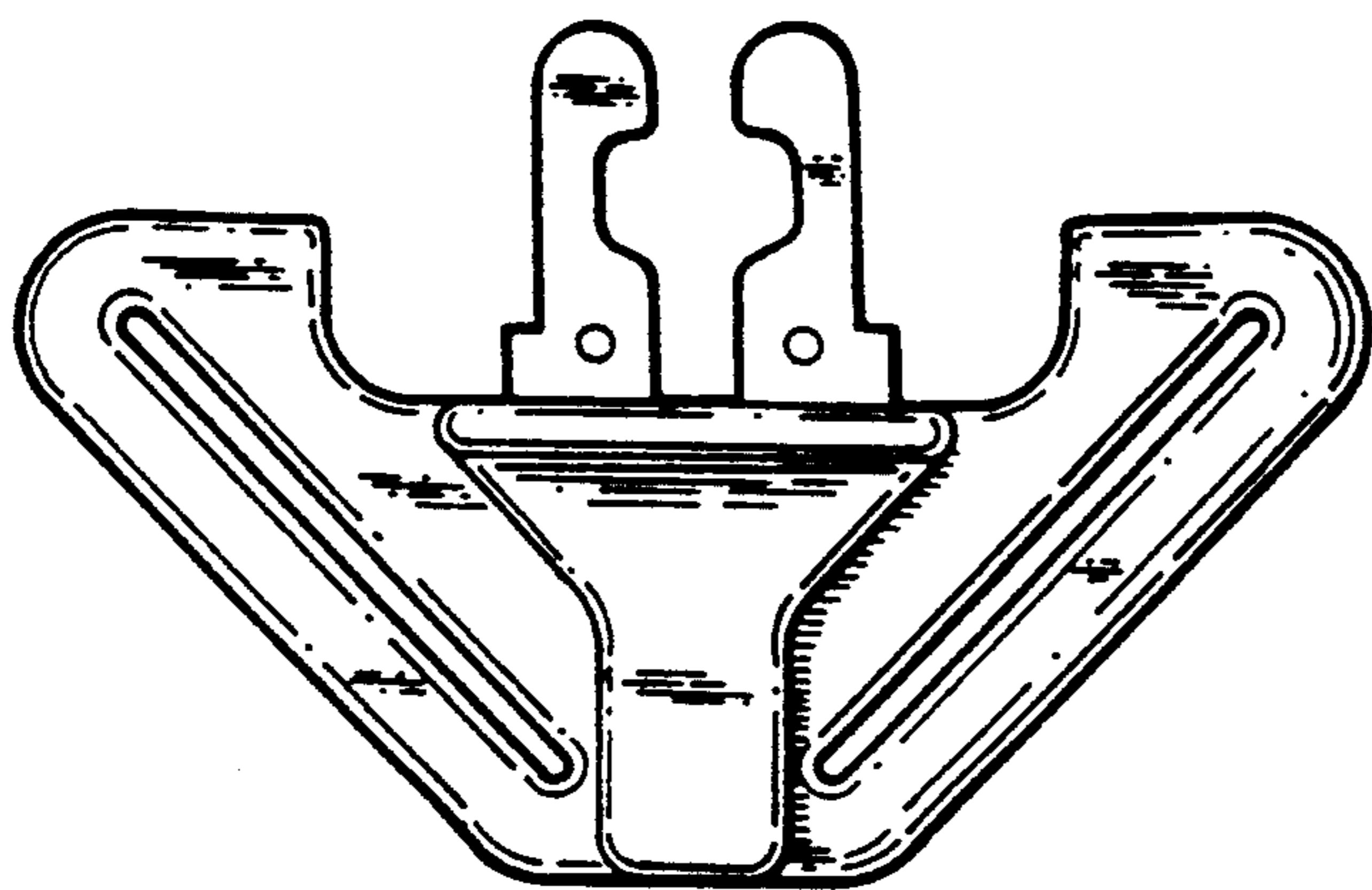


Fig. 1

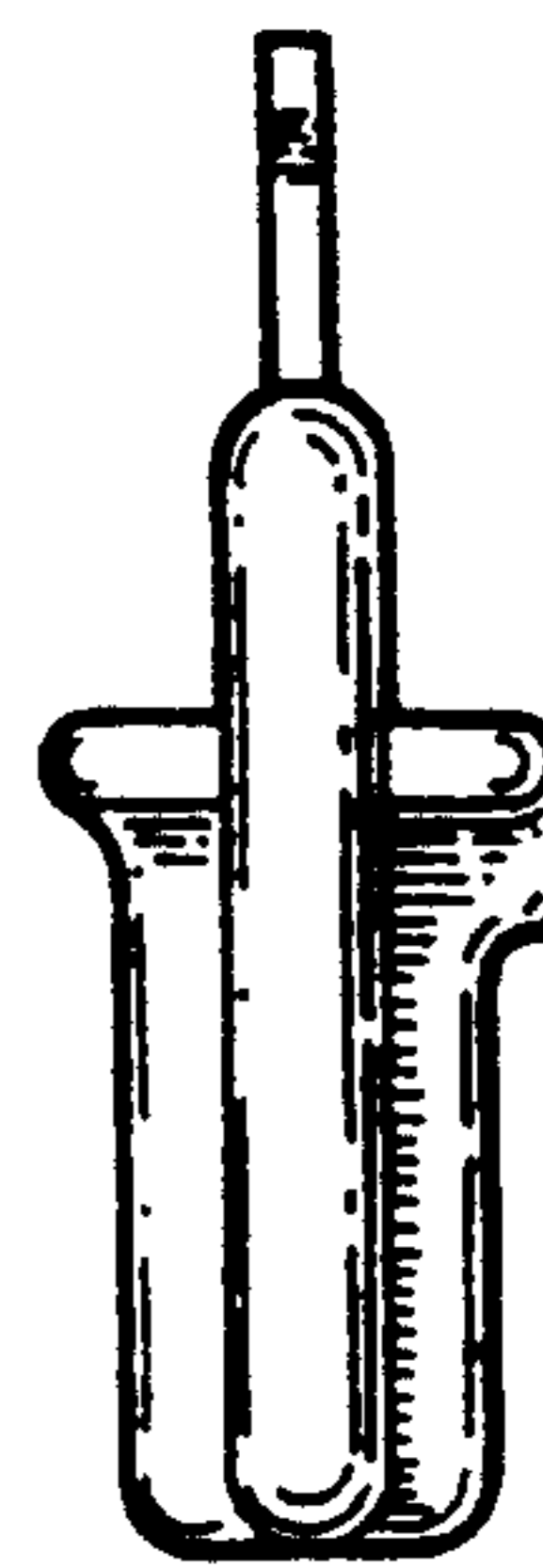


Fig. 2

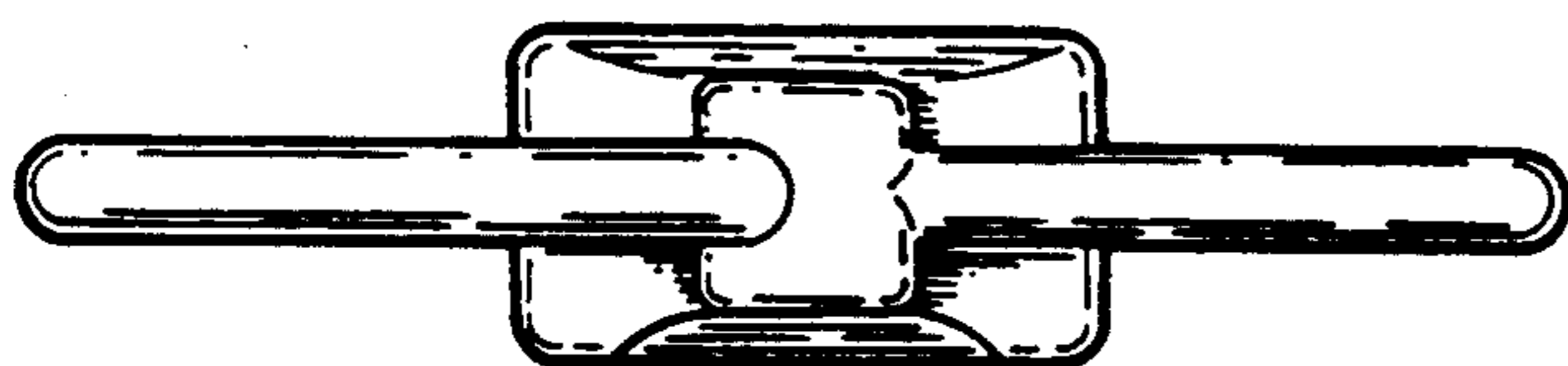


Fig. 4

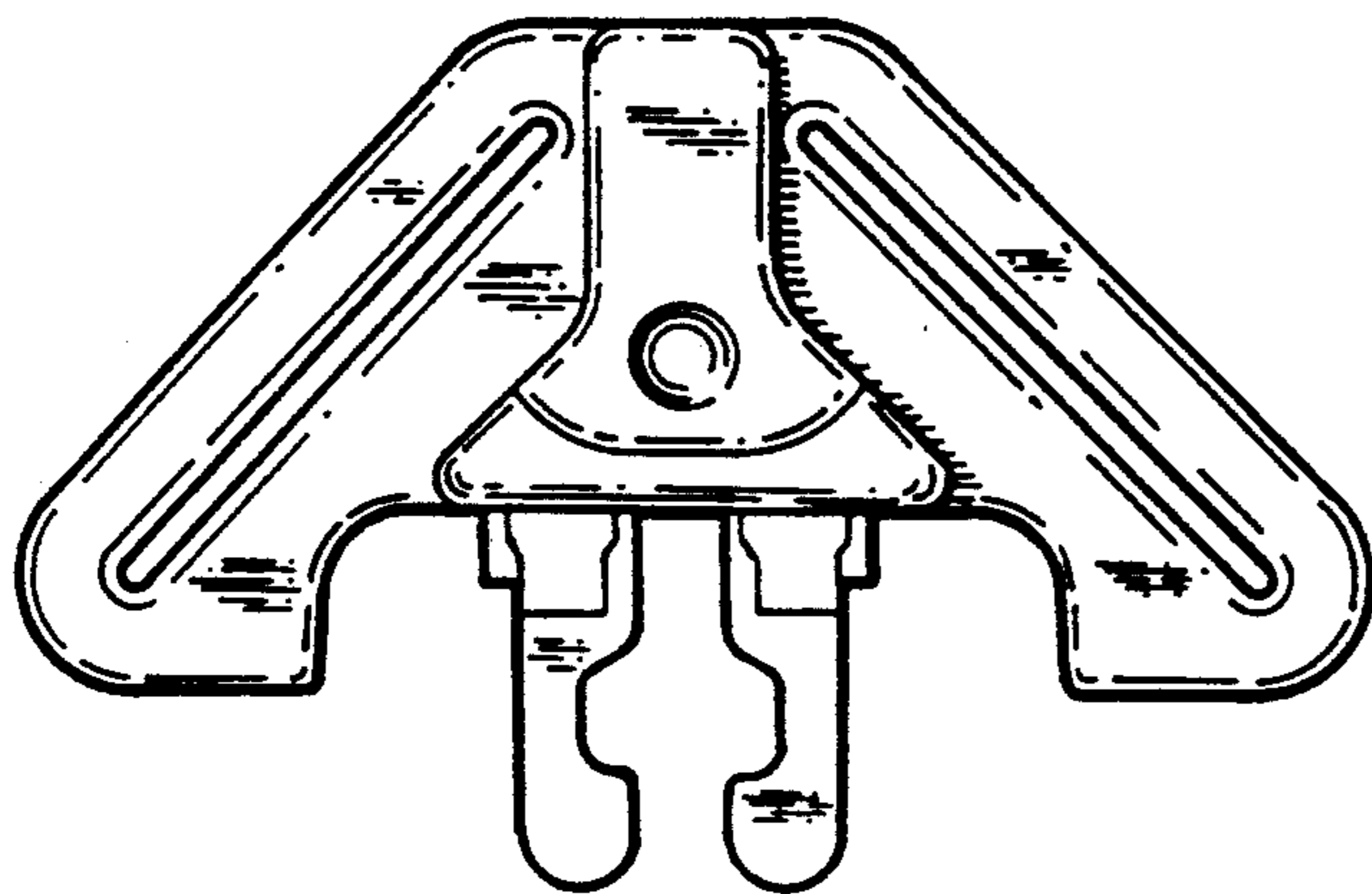


Fig. 5