



US00D342463S

**United States Patent** [19]  
**Brooks**

[11] **Patent Number: Des. 342,463**  
[45] **Date of Patent: \*\* Dec. 21, 1993**

[54] **SELF WATERING TREE STAND**

[76] **Inventor: Roy E. Brooks, 4760 Highway 431 N., Springfield, Tenn. 37172**

[\*\*] **Term: 14 Years**

[21] **Appl. No.: 834,514**

[22] **Filed: Feb. 12, 1992**

[52] **U.S. Cl. .... D11/130.1**

[58] **Field of Search ..... D11/130.1; 47/40.5**

[56] **References Cited**

**U.S. PATENT DOCUMENTS**

D. 168,379	12/1952	Scanland	.....	D11/130.1
D. 177,698	5/1956	Scanland	.....	D11/130.1
D. 319,416	8/1991	Gehrke	.....	D11/130.1
D. 329,027	9/1992	Kodia et al.	.....	D11/130.1
2,904,291	9/1959	Harbes et al.	.....	47/40.5
3,820,749	6/1974	Leonard	.....	248/44
4,993,176	2/1991	Spinoza	.....	40/40.5

**OTHER PUBLICATIONS**

Handsome Rewards Advertising Brochure; Oct. 1990;  
Self Watering Xmas Tree Stand.

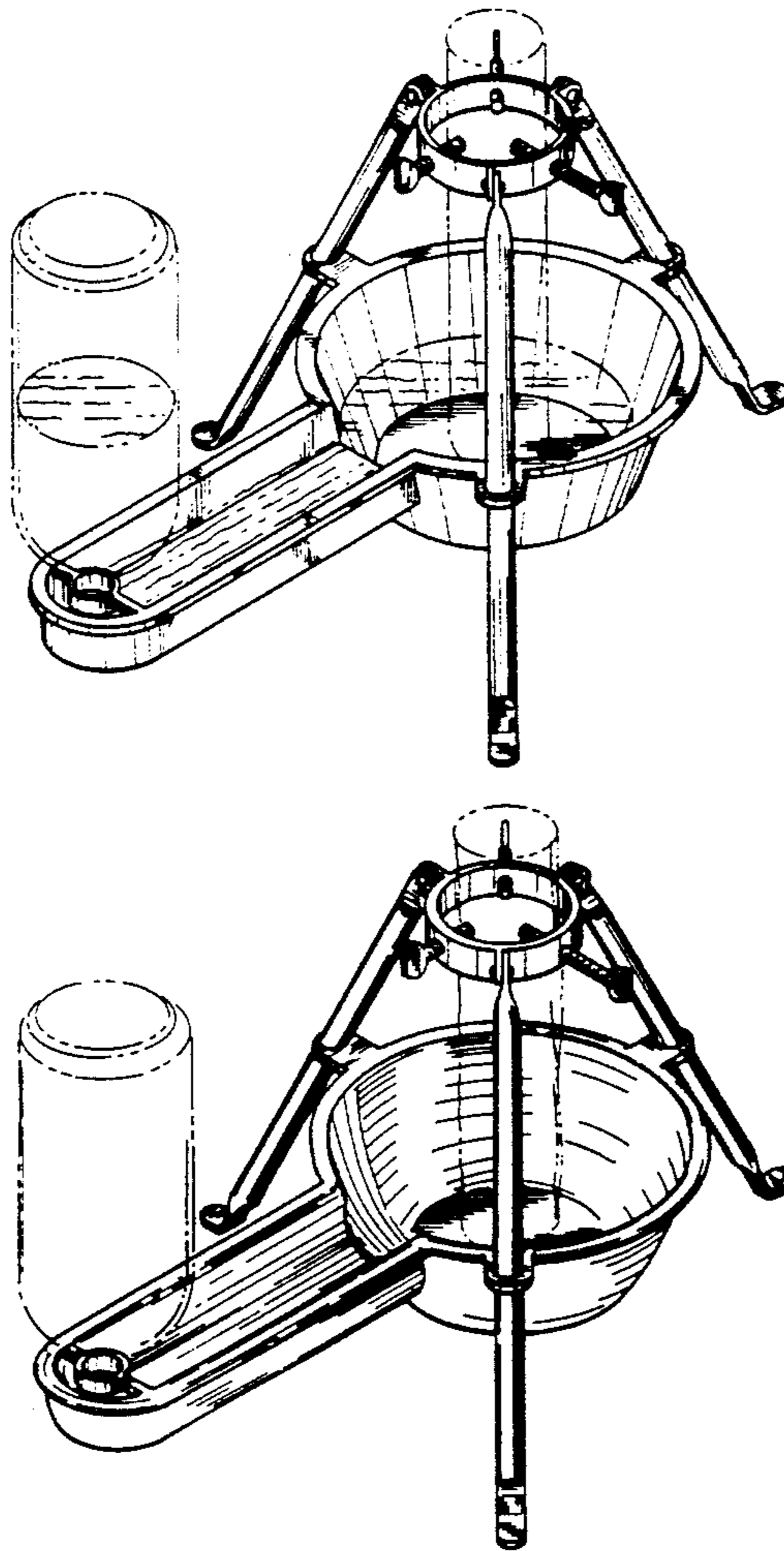
*Primary Examiner*—Bernard Ansher  
*Assistant Examiner*—Dominic Simone  
*Attorney, Agent, or Firm*—Richard C. Litman

[57] **CLAIM**

The ornamental design for a self watering tree stand, as shown and described.

**DESCRIPTION**

FIG. 1 is an environmental perspective view of a self watering tree stand showing my new design;  
FIG. 2 is a top view thereof;  
FIG. 3 is a right side view thereof;  
FIG. 4 is a bottom view thereof;  
FIG. 5 is a front view thereof;  
FIG. 6 is a back view thereof;  
FIG. 7 is an environmental perspective view of a second embodiment thereof;  
FIG. 8 is a top view of the embodiment of FIG. 7;  
FIG. 9 is a right side view of the embodiment of FIG. 7;  
FIG. 10 is a bottom view of the embodiment of FIG. 7;  
FIG. 11 is a front view of the embodiment of FIG. 7;  
and,  
FIG. 12 is a rear view of the embodiment of FIG. 7.



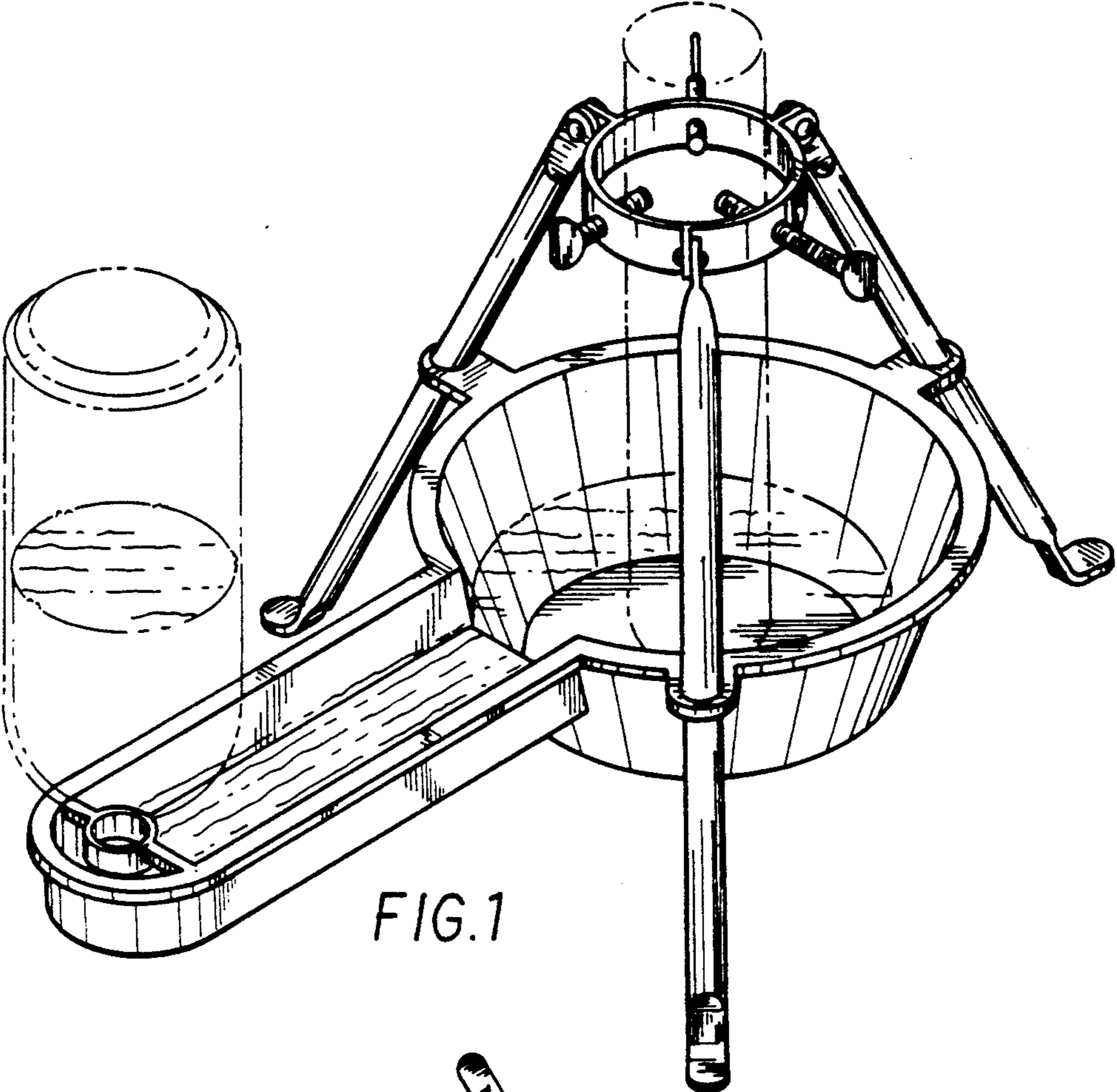


FIG. 1

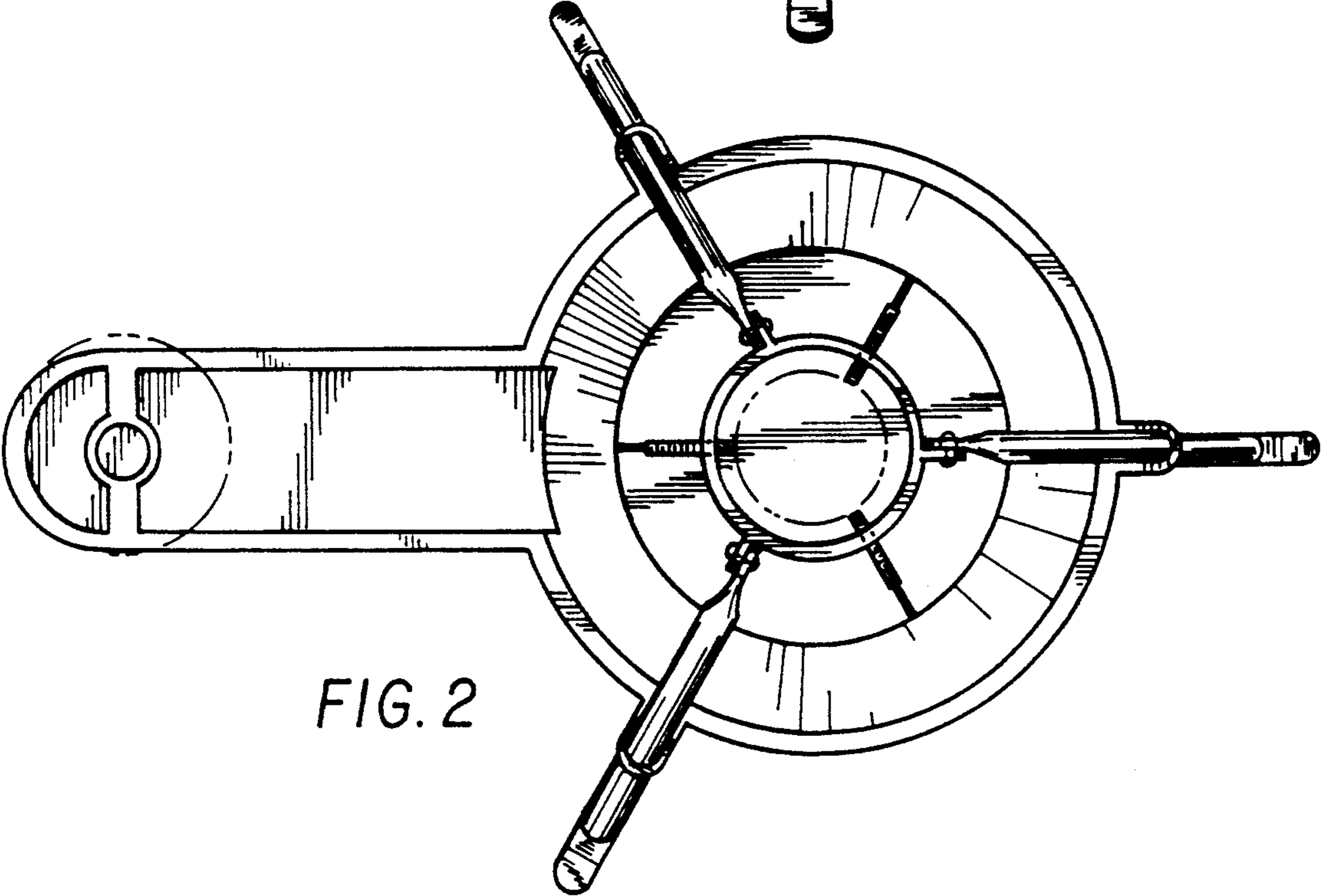


FIG. 2

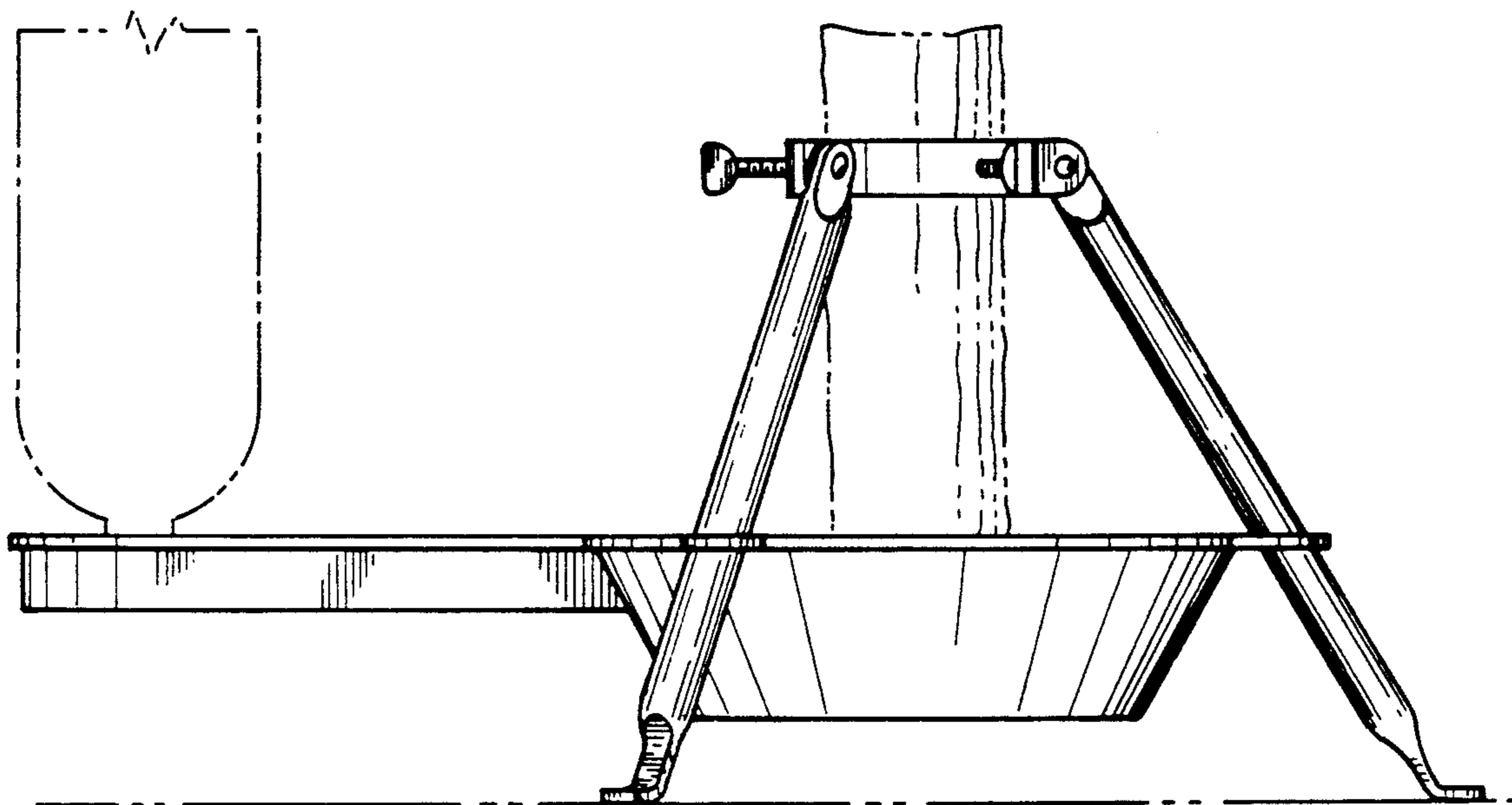


FIG. 3

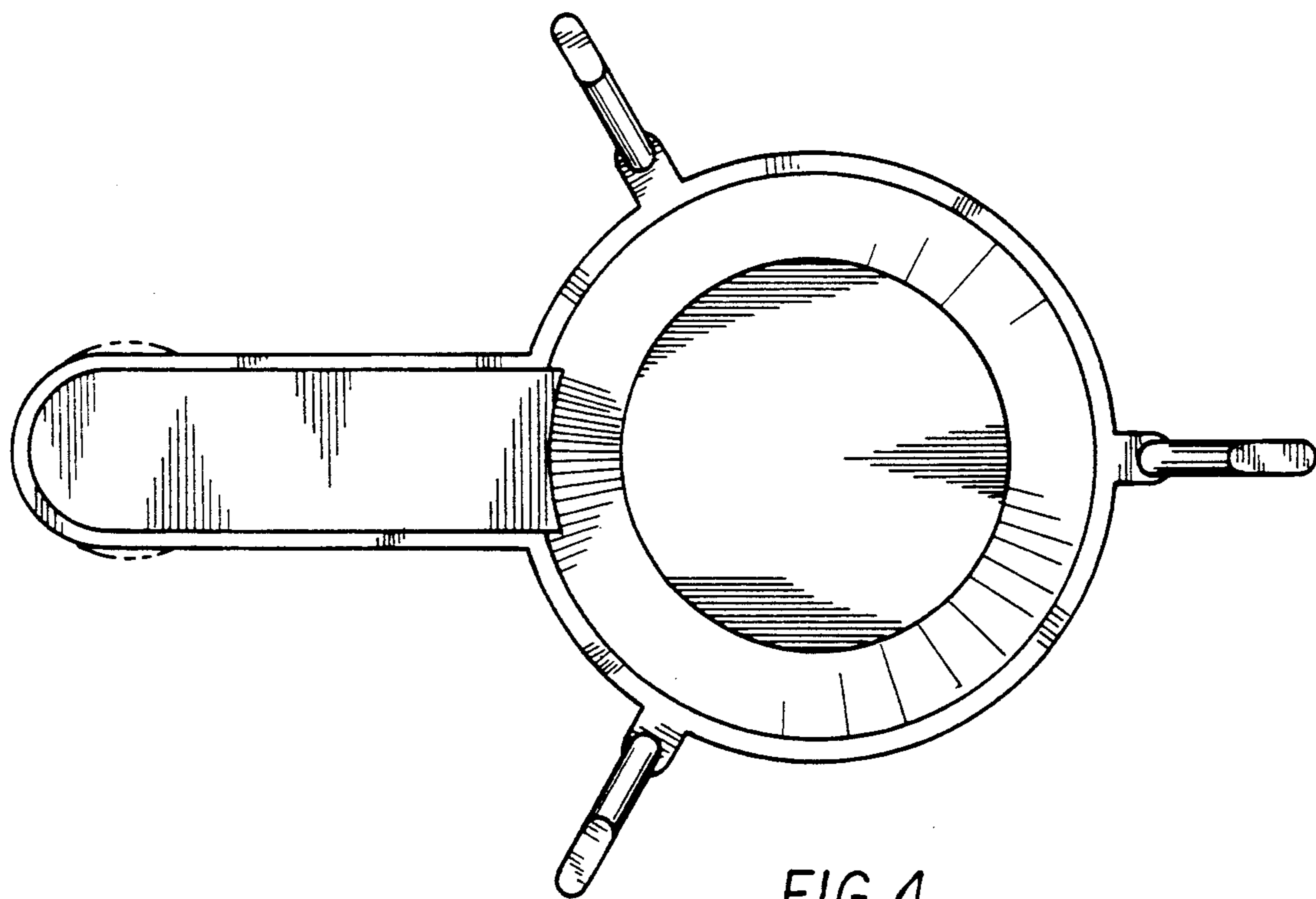


FIG. 4

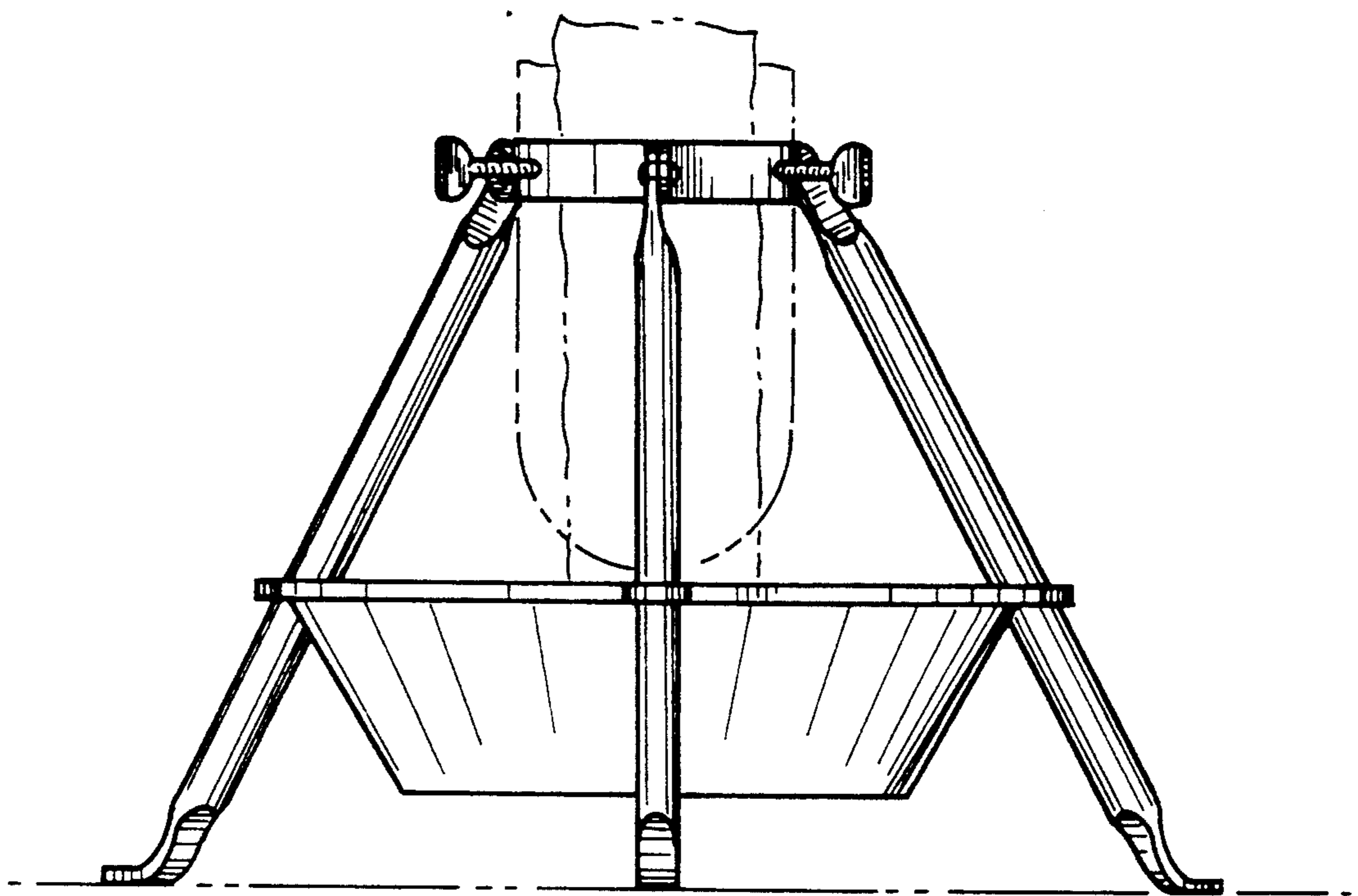


FIG. 5

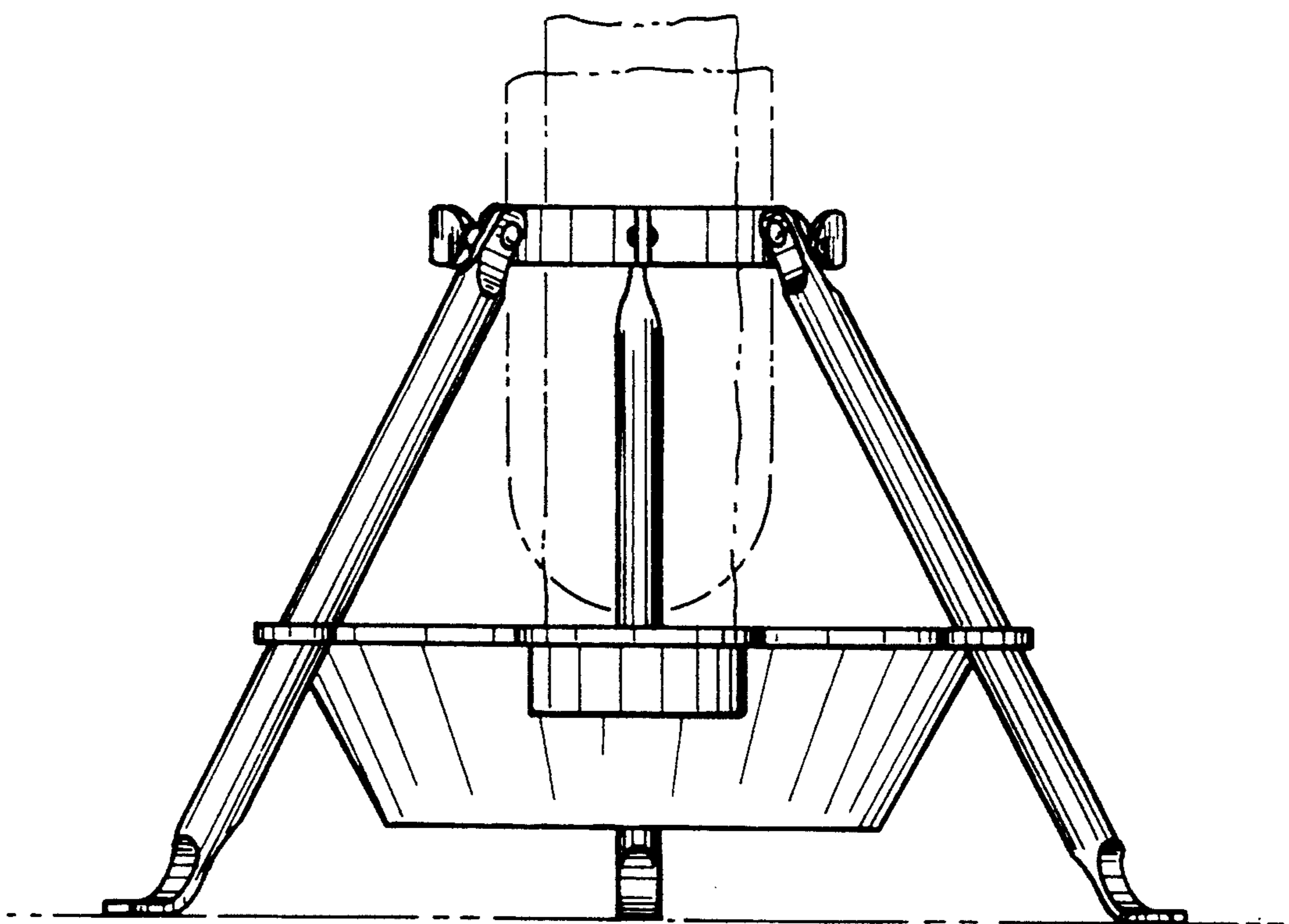


FIG. 6

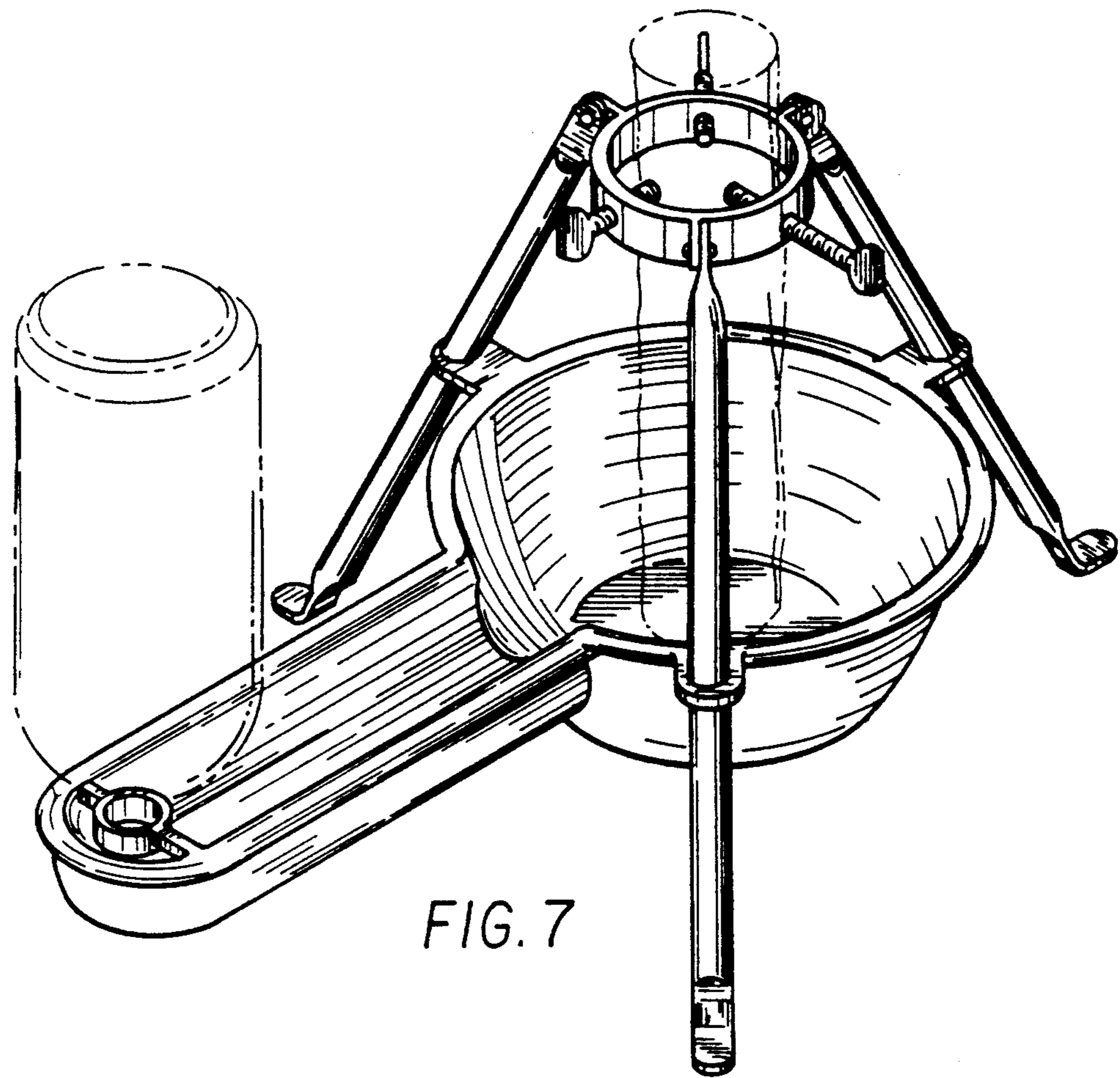


FIG. 7

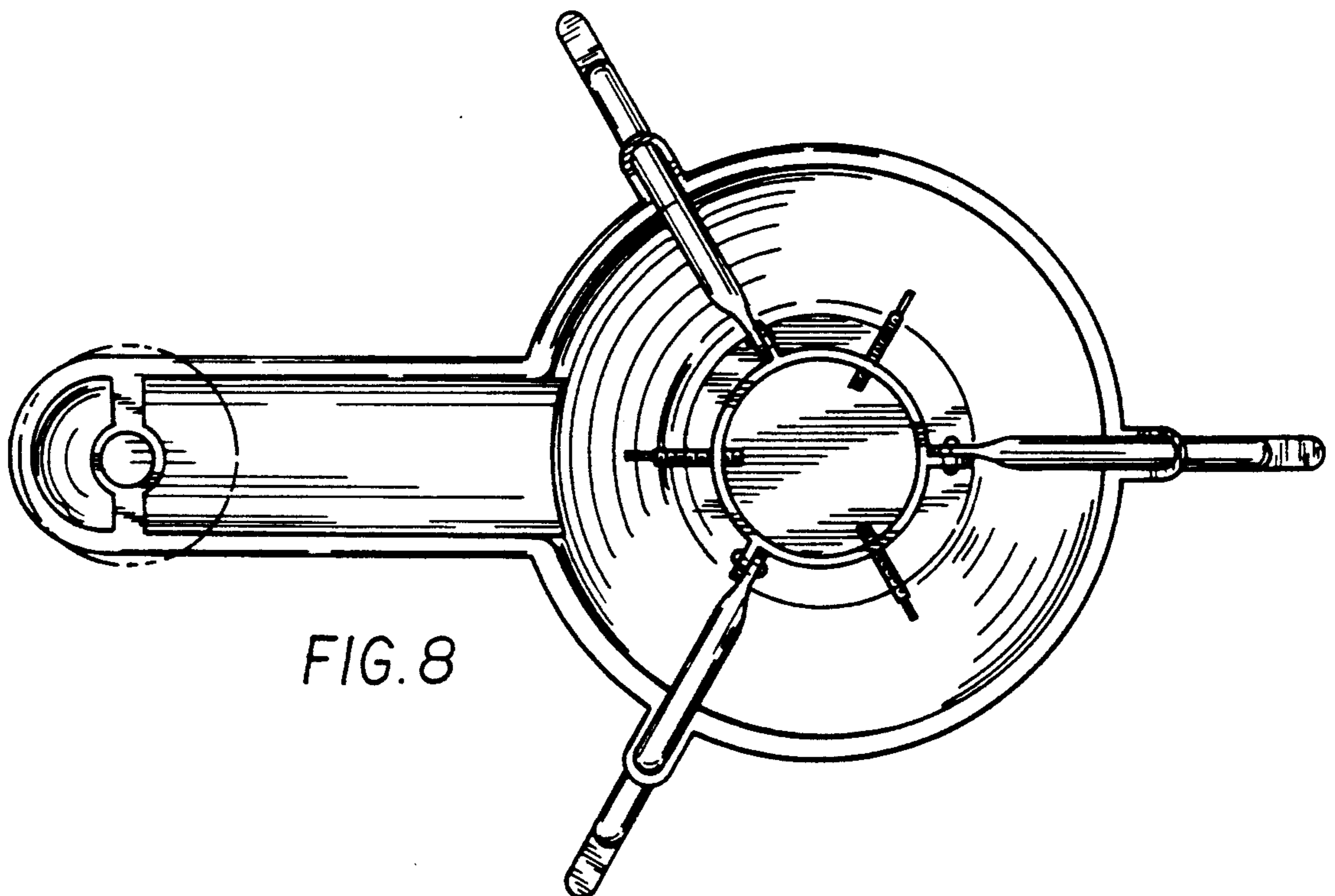


FIG. 8

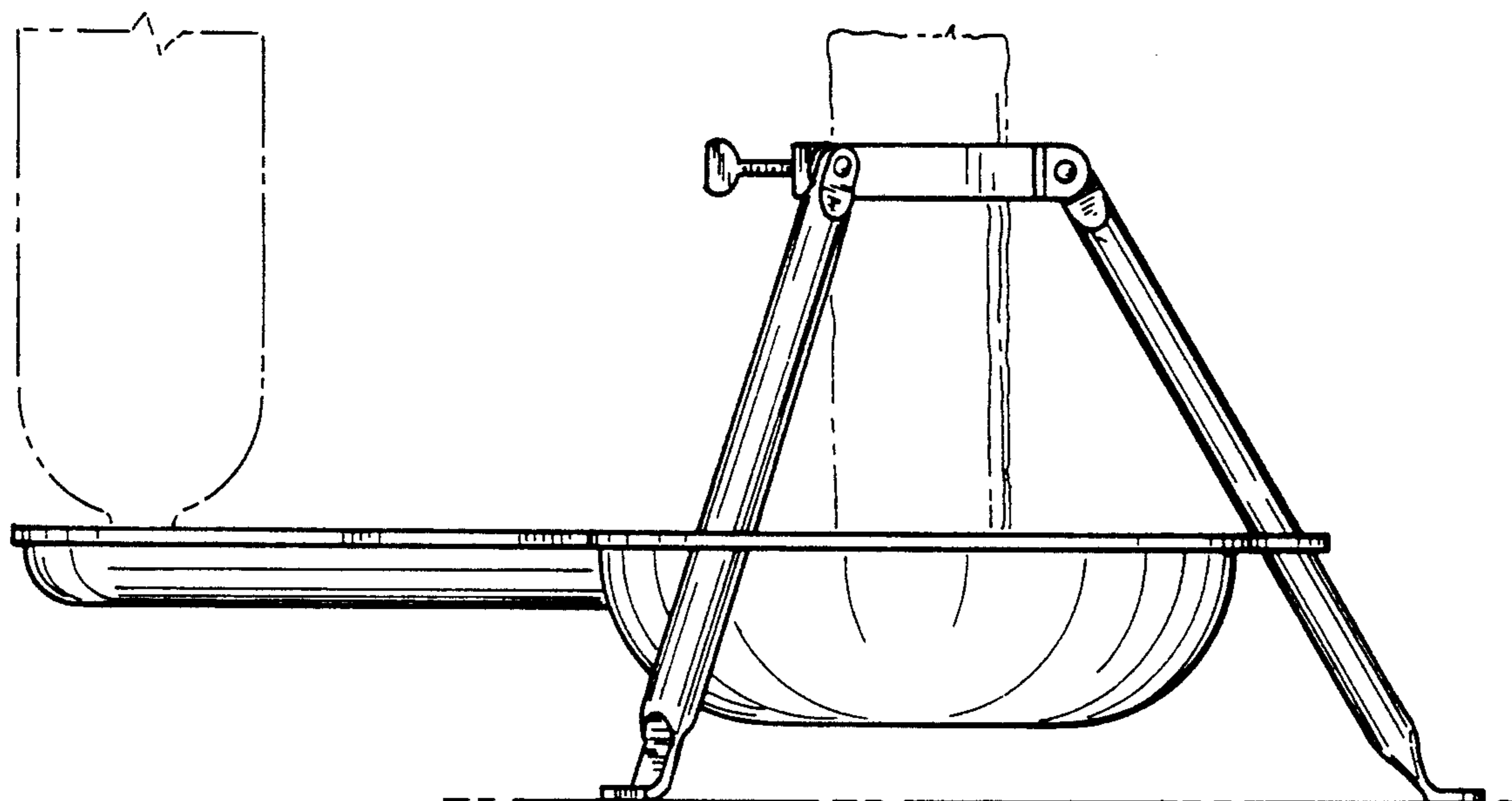


FIG. 9

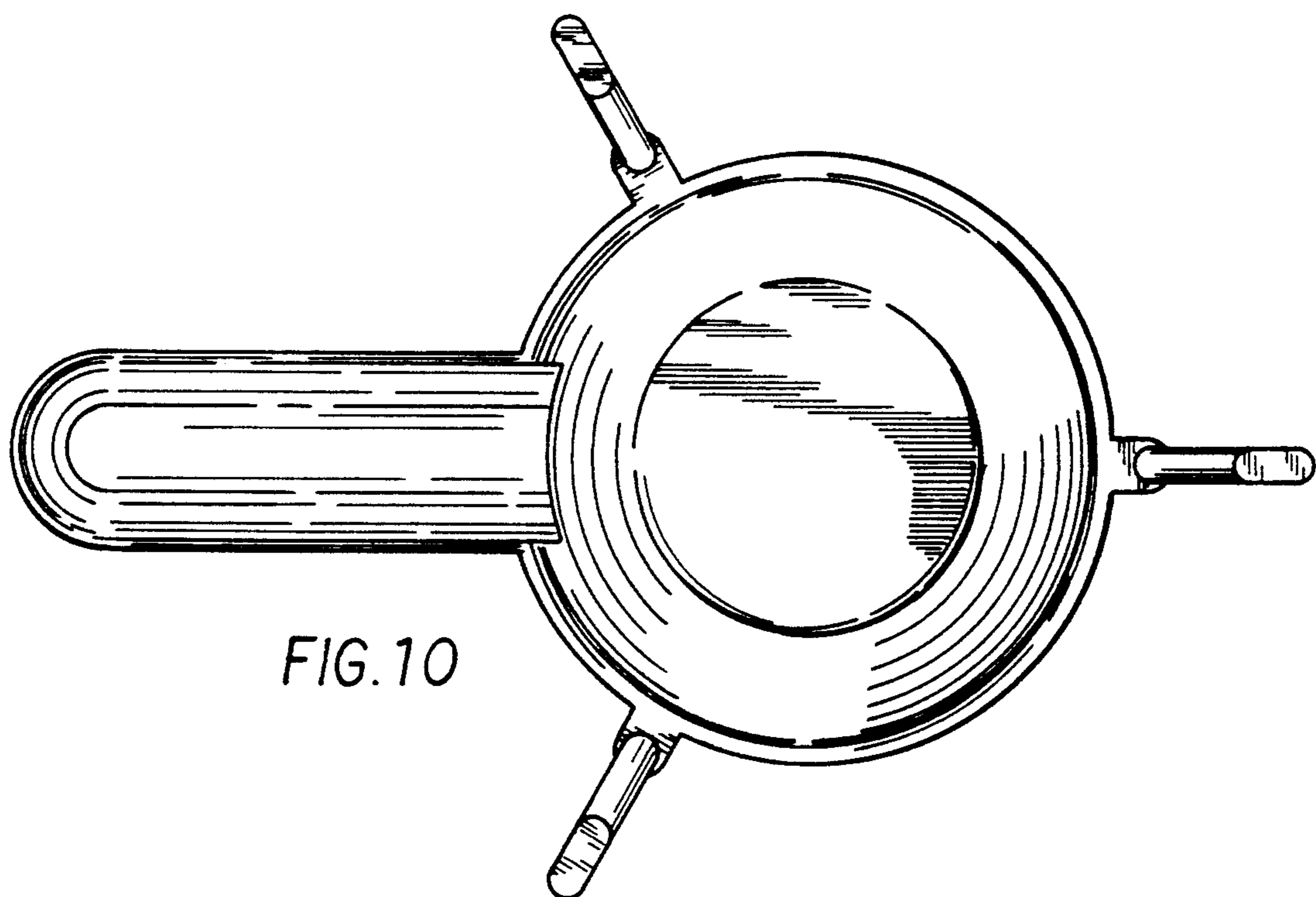


FIG. 10

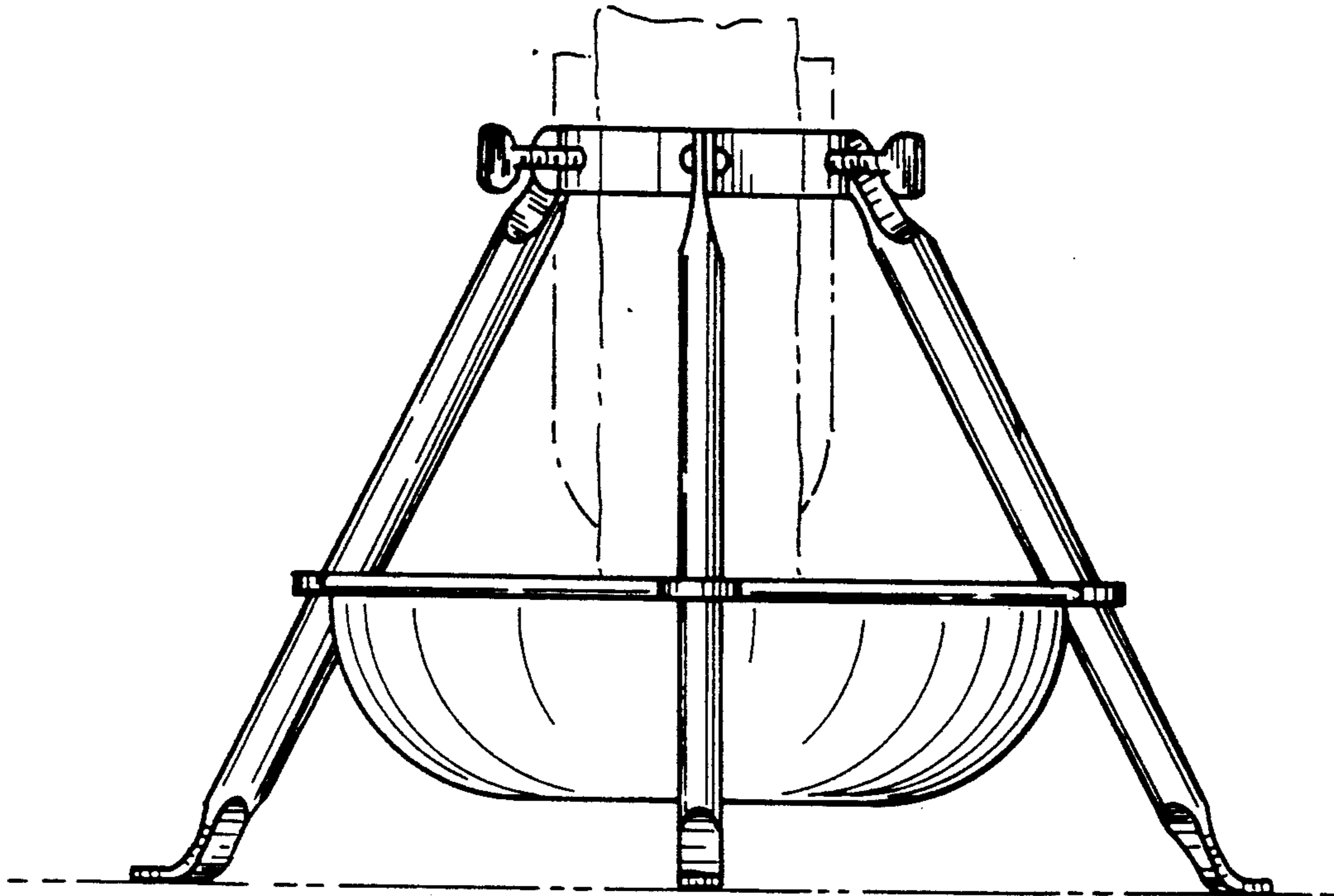


FIG. 11

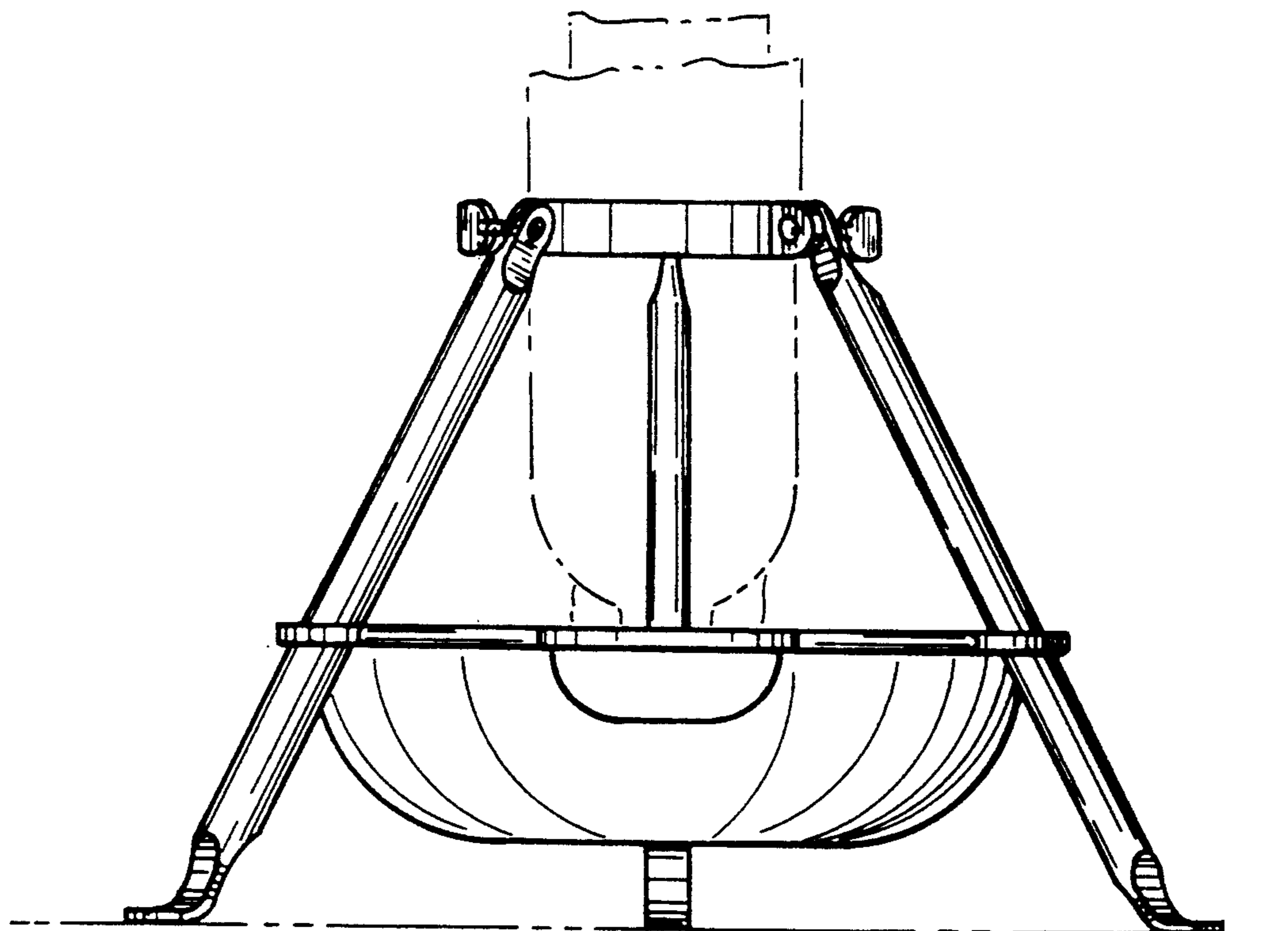


FIG. 12