



US00D342460S

United States Patent [19]

[11] Patent Number: **Des. 342,460**

Loughlin

[45] Date of Patent: **** Dec. 21, 1993**

[54] FLASHING STROBE LIGHT FOR FIREFIGHTER'S LADDER

Primary Examiner—Susan J. Lucas
Attorney, Agent, or Firm—Walter G. Finch

[76] Inventor: **Bernard M. Loughlin**, P.O. Box 385, Sayville, N.Y. 11782

[57] CLAIM

[**] Term: **14 Years**

The ornamental design for a flashing strobe light for firefighter's ladder, as shown and claimed.

[21] Appl. No.: **834,715**

DESCRIPTION

[22] Filed: **Feb. 12, 1992**

[52] U.S. Cl. **D10/114; D26/37**

[58] Field of Search **D10/114; D26/37, 40; 362/157, 158, 183, 190, 191, 200, 396, 119, 109; 340/321**

FIG. 1 is a perspective view of a flashing strobe light for firefighter's ladder incorporating features of this design; FIG. 2 is an end view of the flashing strobe light for firefighter's ladder;

FIG. 3 is an opposite end view of the flashing strobe light for firefighter's ladder;

FIG. 4 is a top view of the flashing strobe light for firefighter's ladder;

FIG. 5 is a bottom view of the flashing strobe light for firefighter's ladder;

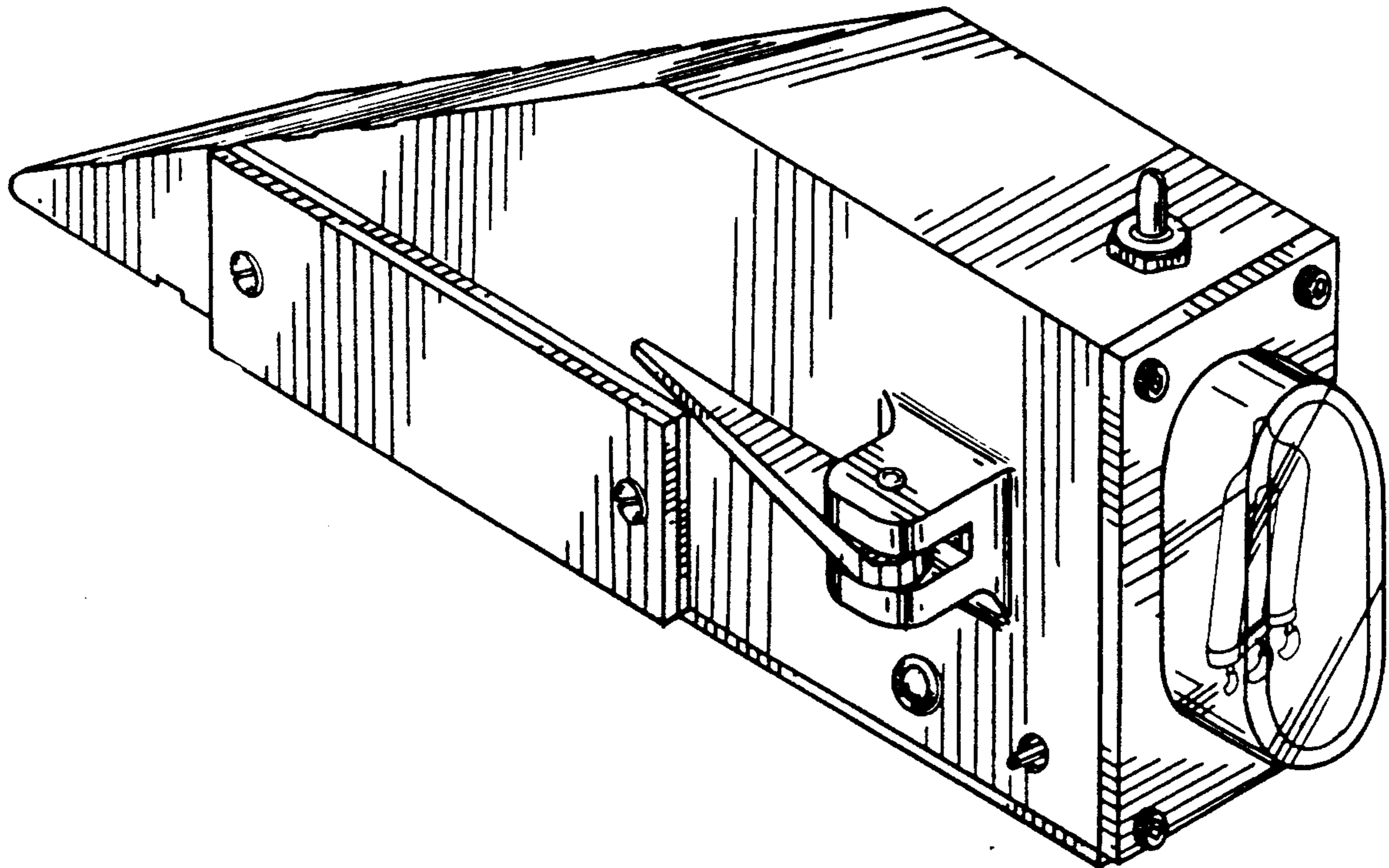
FIG. 6 is a side view of the flashing strobe light for firefighter's ladder; and,

FIG. 7 is an opposite side view of the flashing strobe light for firefighter's ladder.

[56] References Cited

U.S. PATENT DOCUMENTS

4,090,185	5/1978	Patty	340/321
4,766,525	8/1988	Loughlin	362/191 X
4,827,245	5/1989	Lipman	340/321
4,941,073	7/1990	Bolton	362/119 X
5,109,322	4/1992	Loughlin	362/191 X



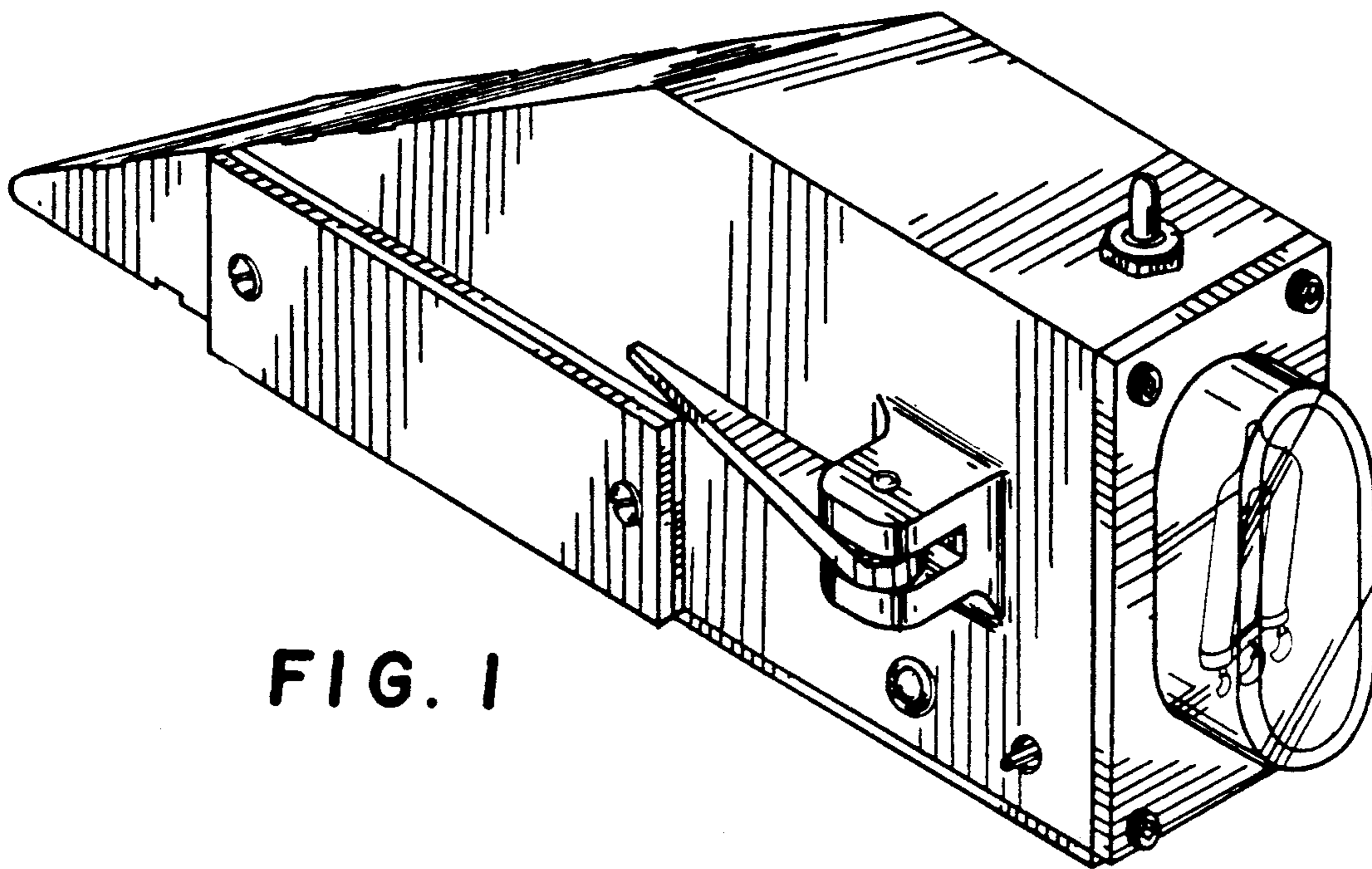


FIG. 1

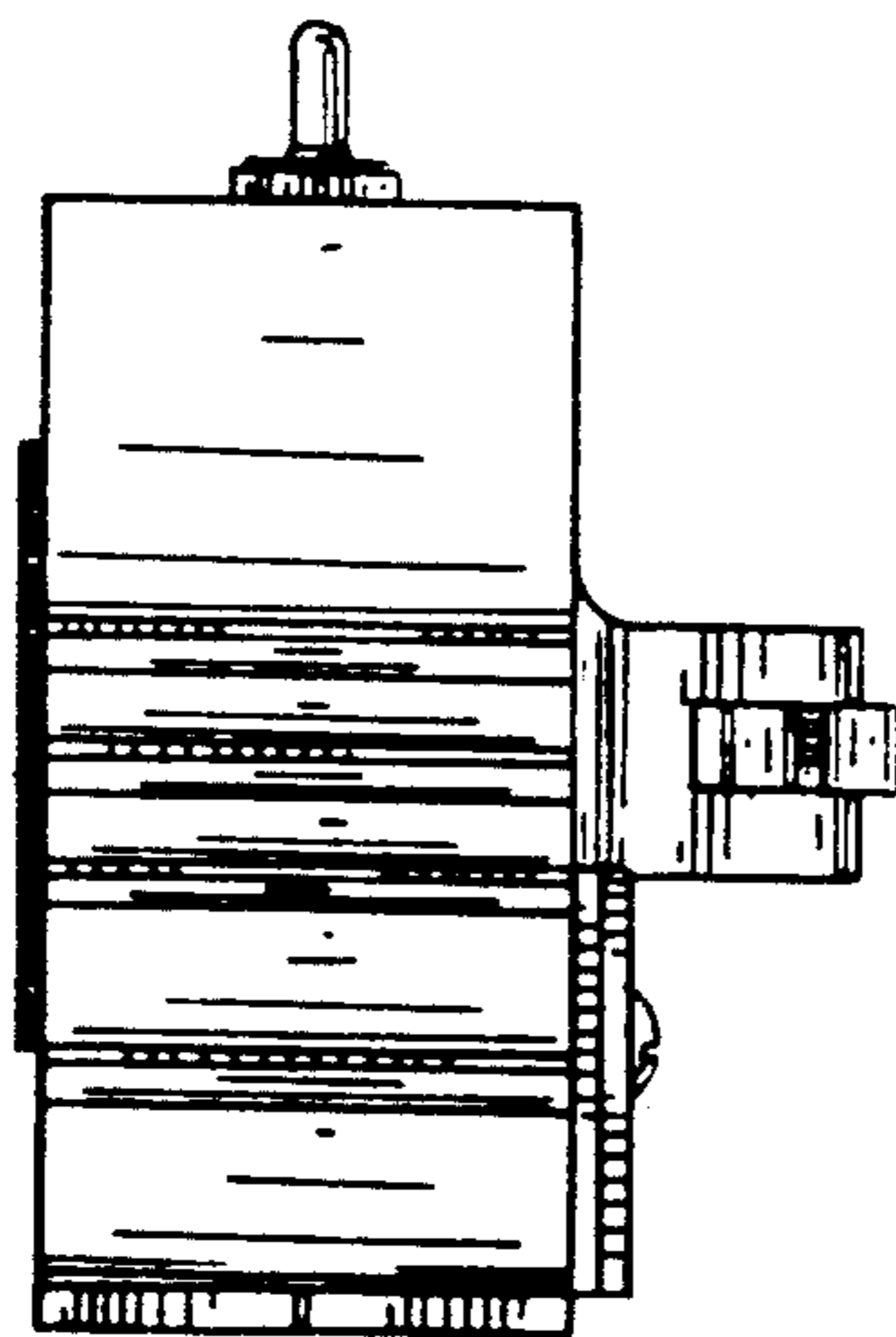


FIG. 2

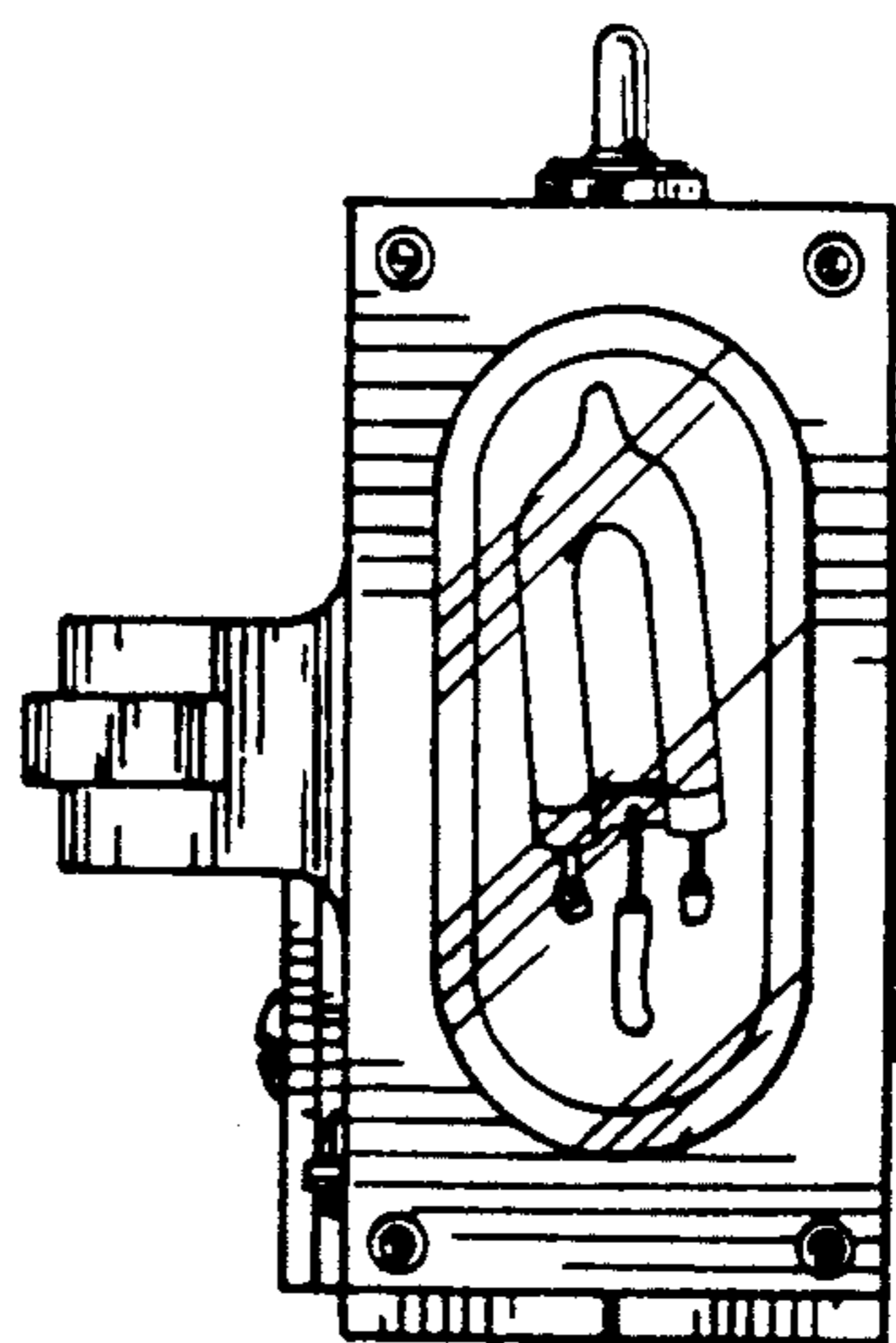


FIG. 3

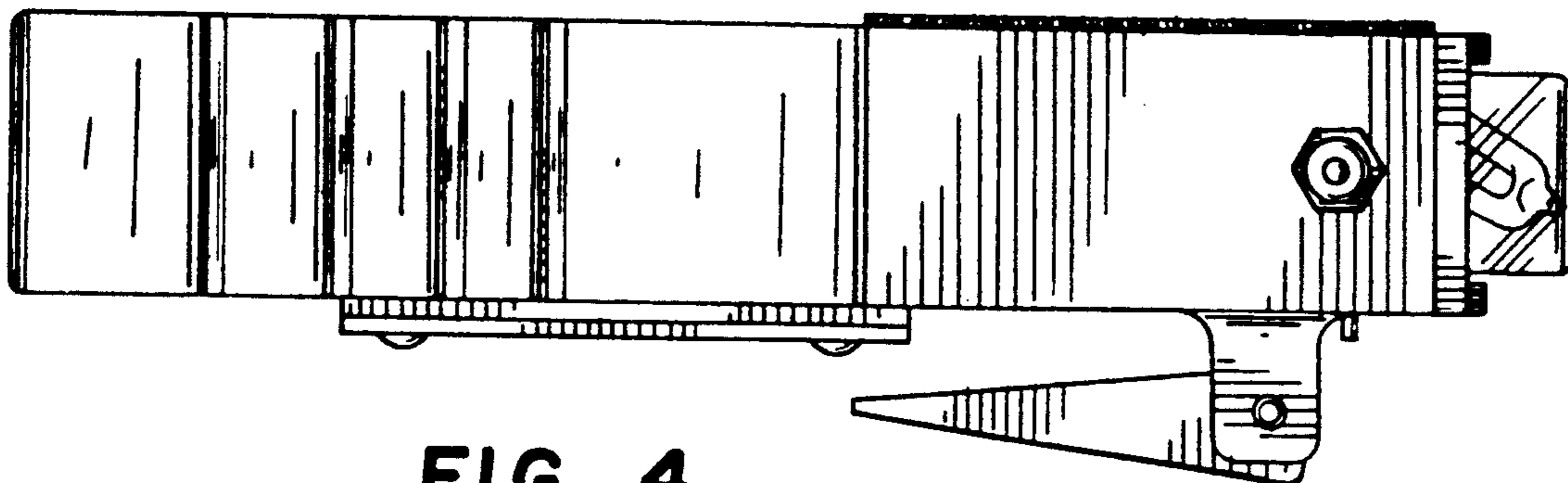


FIG. 4

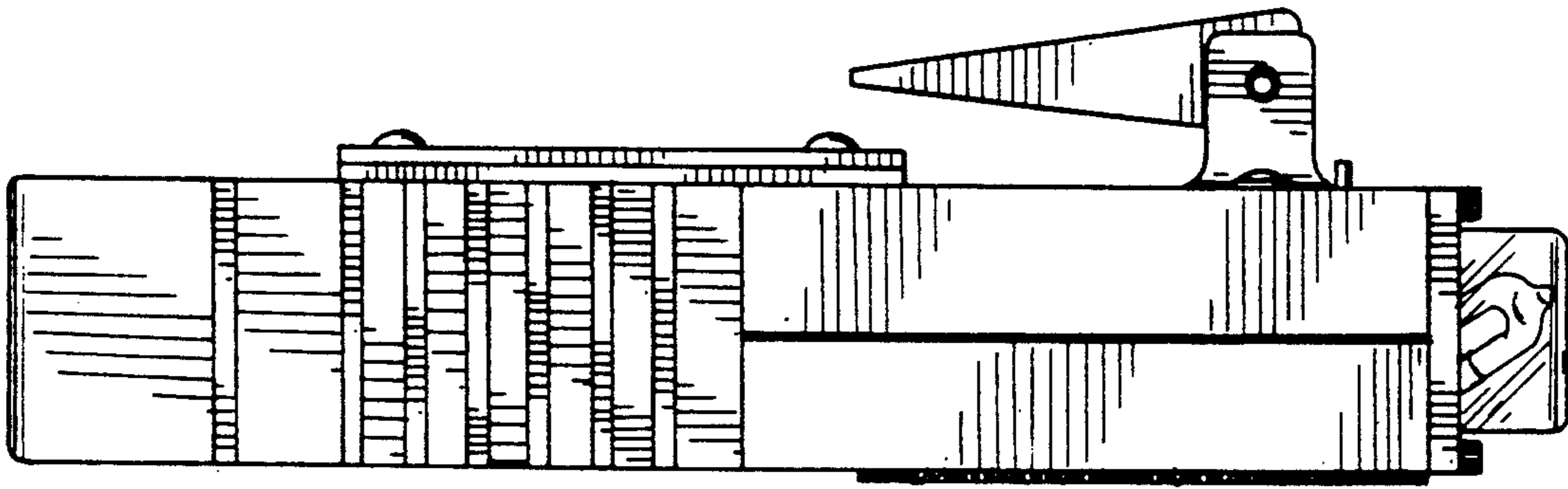


FIG. 5

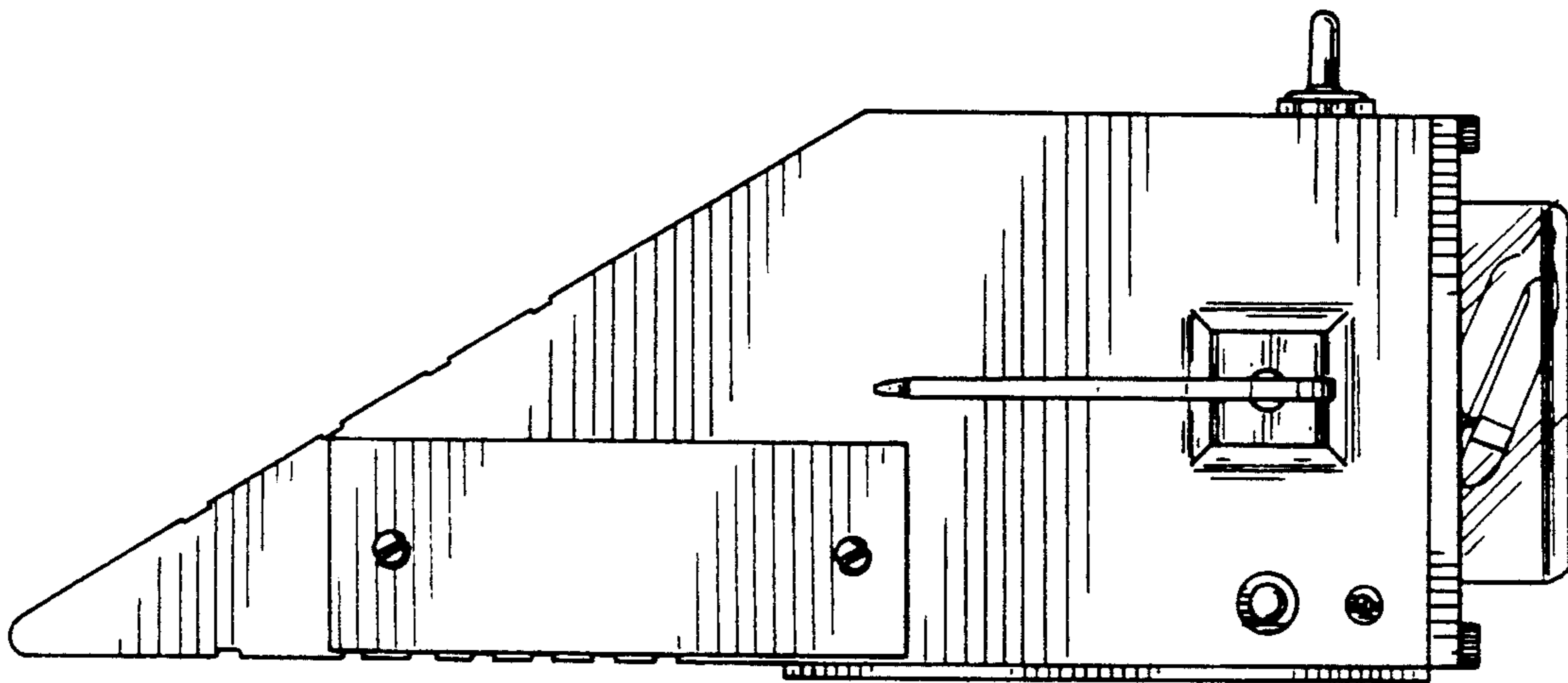


FIG. 6

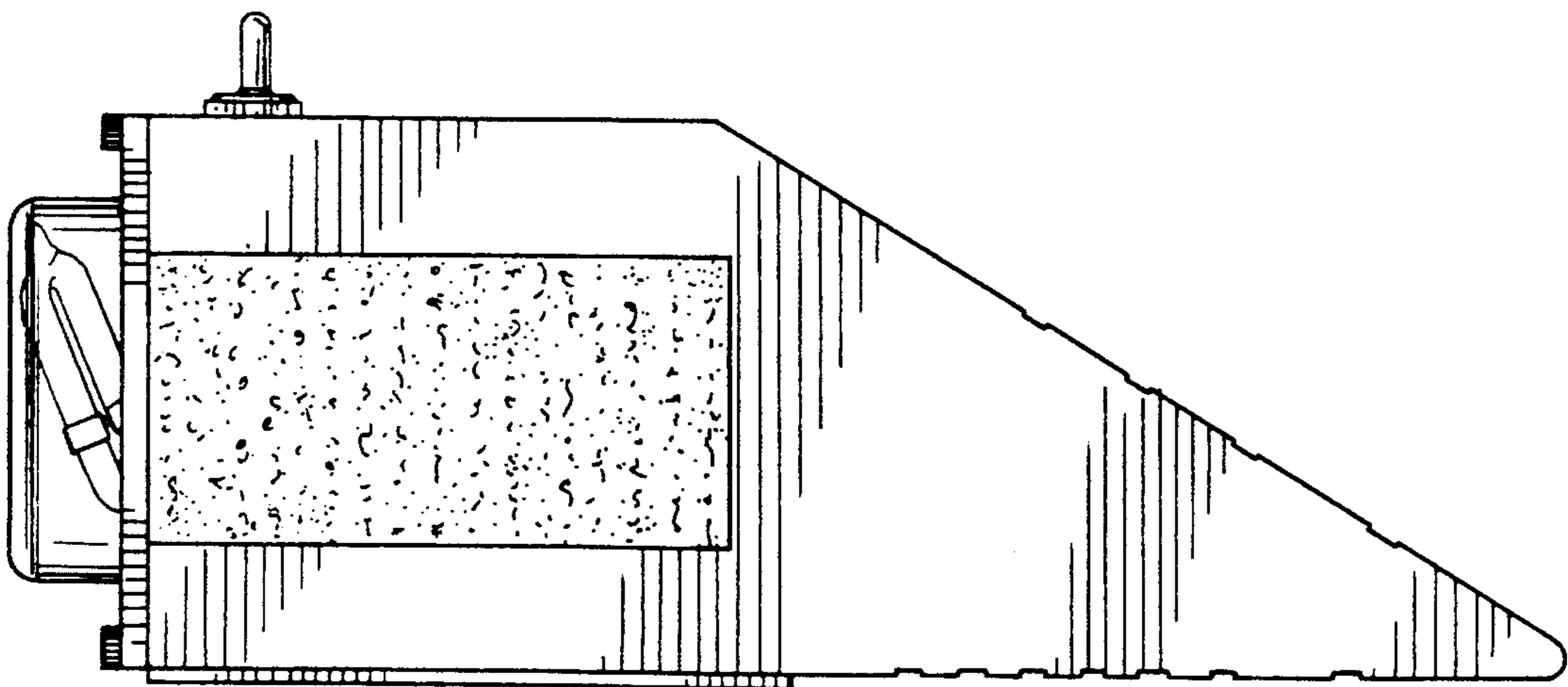


FIG. 7