



US00D342459S

United States Patent [19] Shen

[11] Patent Number: Des. 342,459

[45] Date of Patent: ** Dec. 21, 1993

[54] TAPE MEASURE

[76] Inventor: Alice Shen, P.O. Box 82-144, Taipei, Taiwan

[**] Term: 14 Years

[21] Appl. No.: 900,102

[22] Filed: Jun. 16, 1992

[52] U.S. Cl. D10/72

[58] Field of Search D10/72; D19/67, 69; 33/756-772; 242/84.8, 85, 96, 107.3, 107.4 A, 107.4 R

[56] **References Cited**

U.S. PATENT DOCUMENTS

- D. 255,881 7/1980 Atienza D10/72
- 5,134,784 8/1992 Atienza 33/769 X

Primary Examiner—Alan P. Douglas
Assistant Examiner—A. D. Davis
Attorney, Agent, or Firm—Alfred Lei

[57] **CLAIM**

The ornamental design for a tape measure, as shown and described.

DESCRIPTION

FIG. 1 is a perspective view of a tape measure showing my new design;

FIG. 2 is a front view thereof;

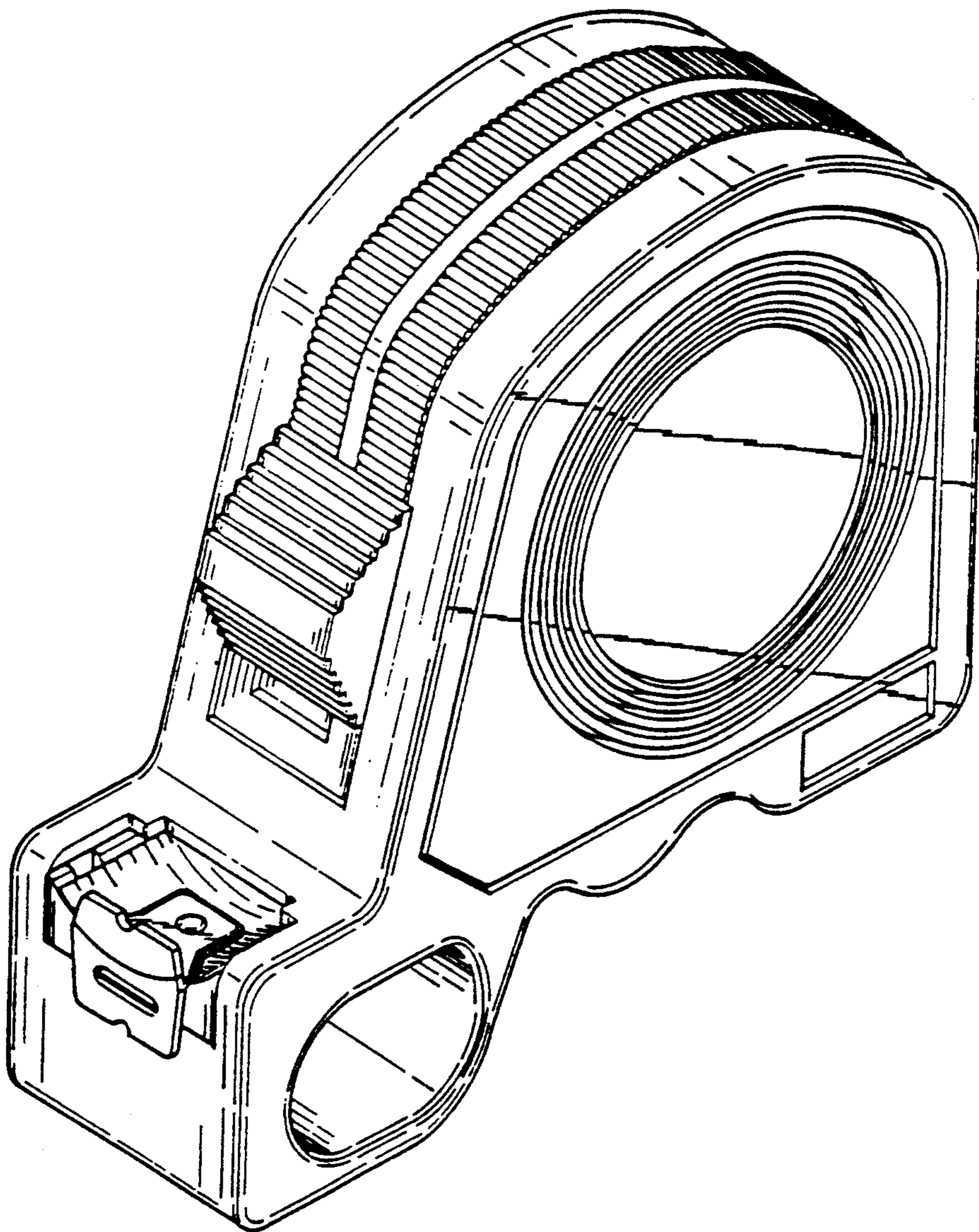
FIG. 3 is a rear view thereof;

FIG. 4 is a left side elevational view thereof;

FIG. 5 is a right side elevational view thereof;

FIG. 6 is a top plan view thereof; and,

FIG. 7 is a bottom plan view thereof.



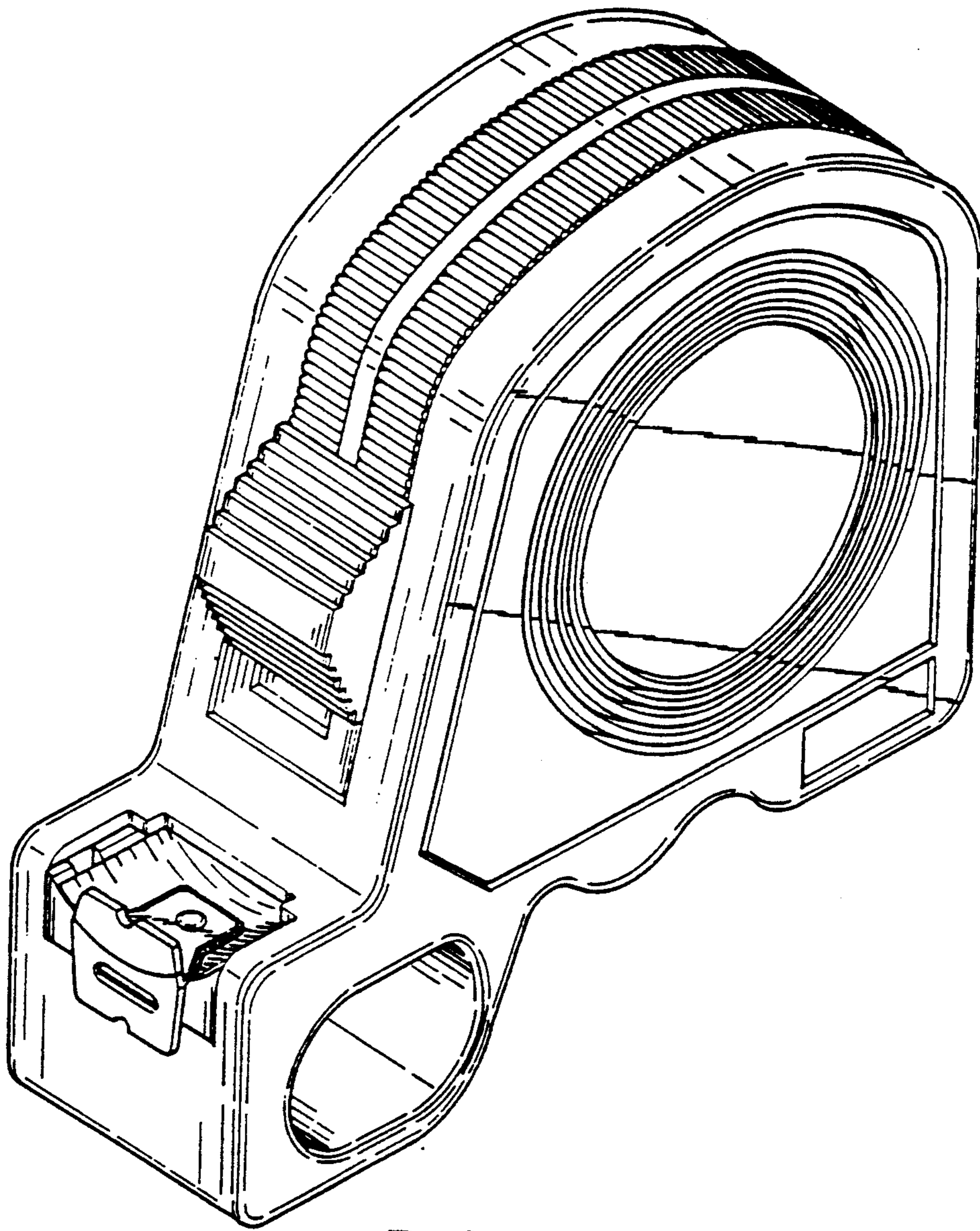


FIG. 1

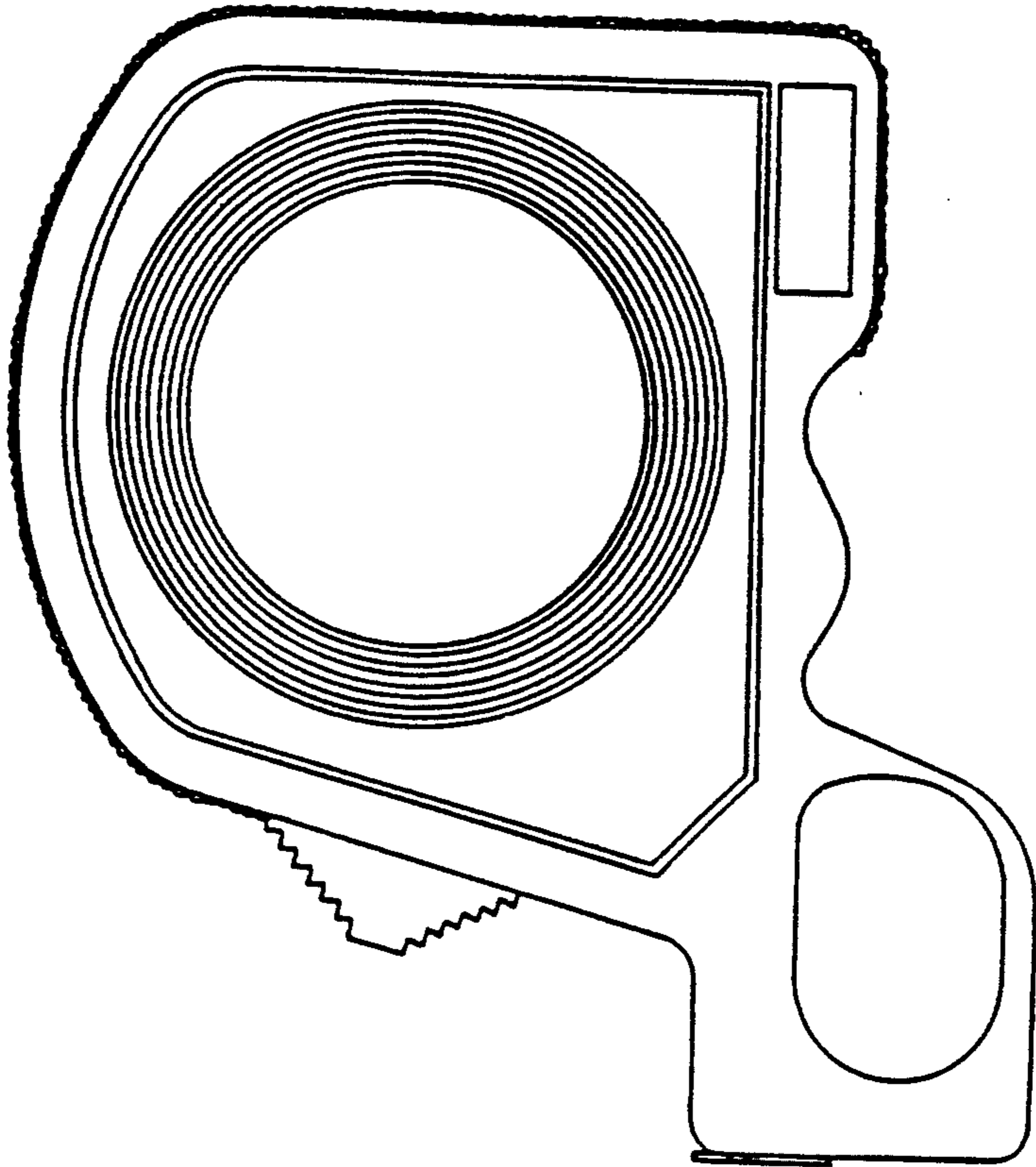


FIG. 2

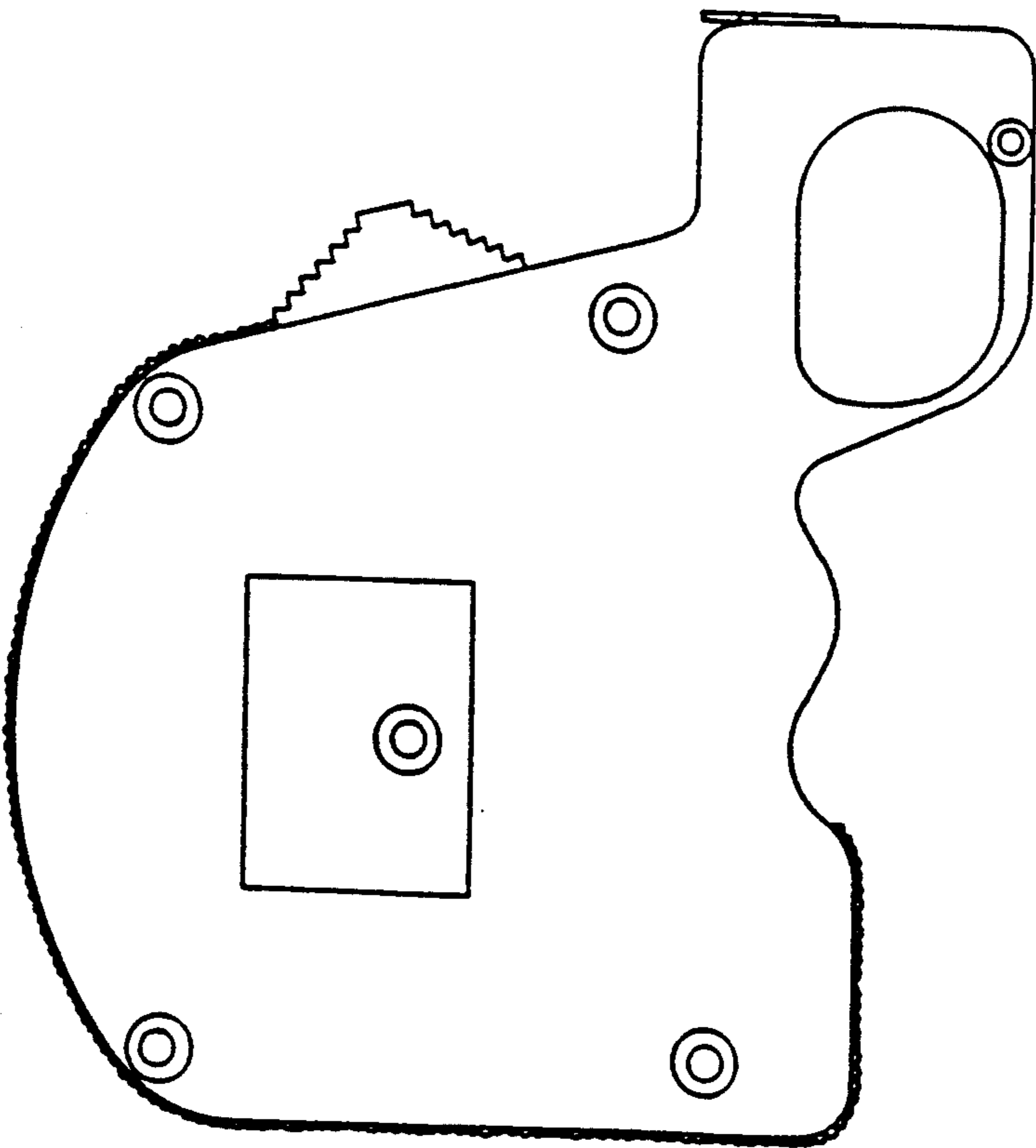


FIG. 3

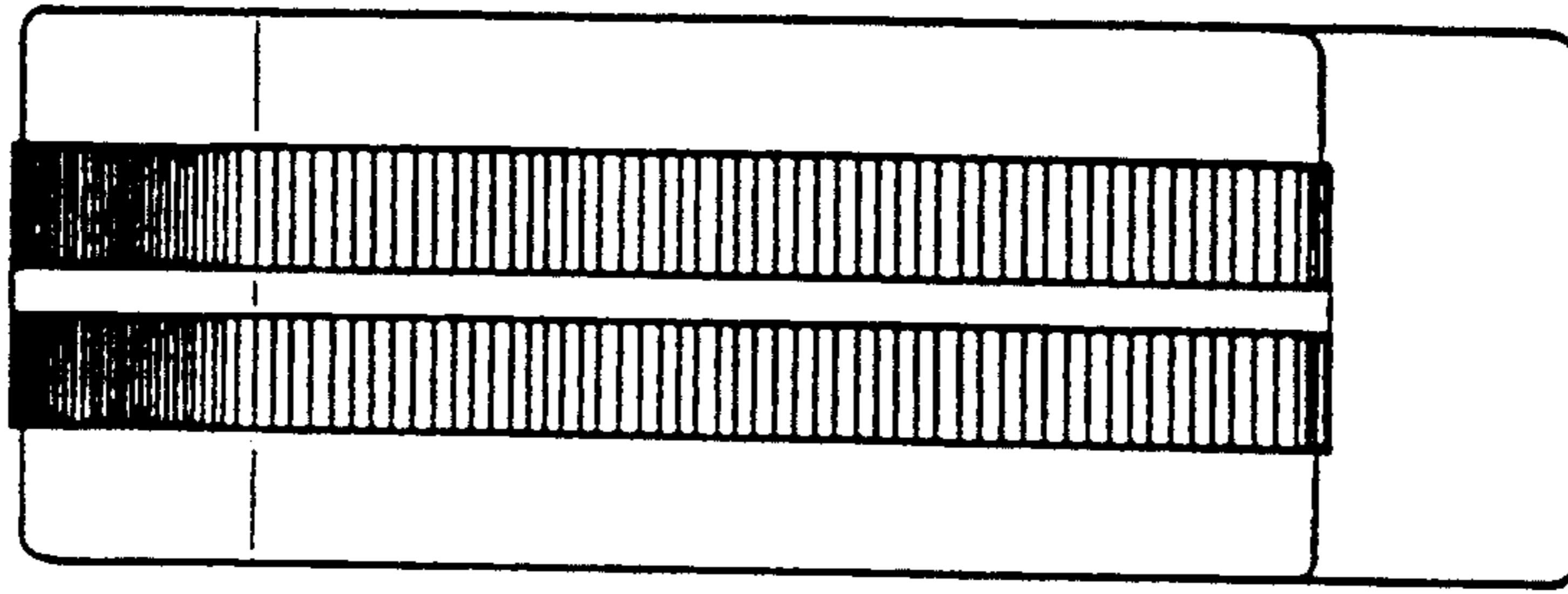


FIG. 5

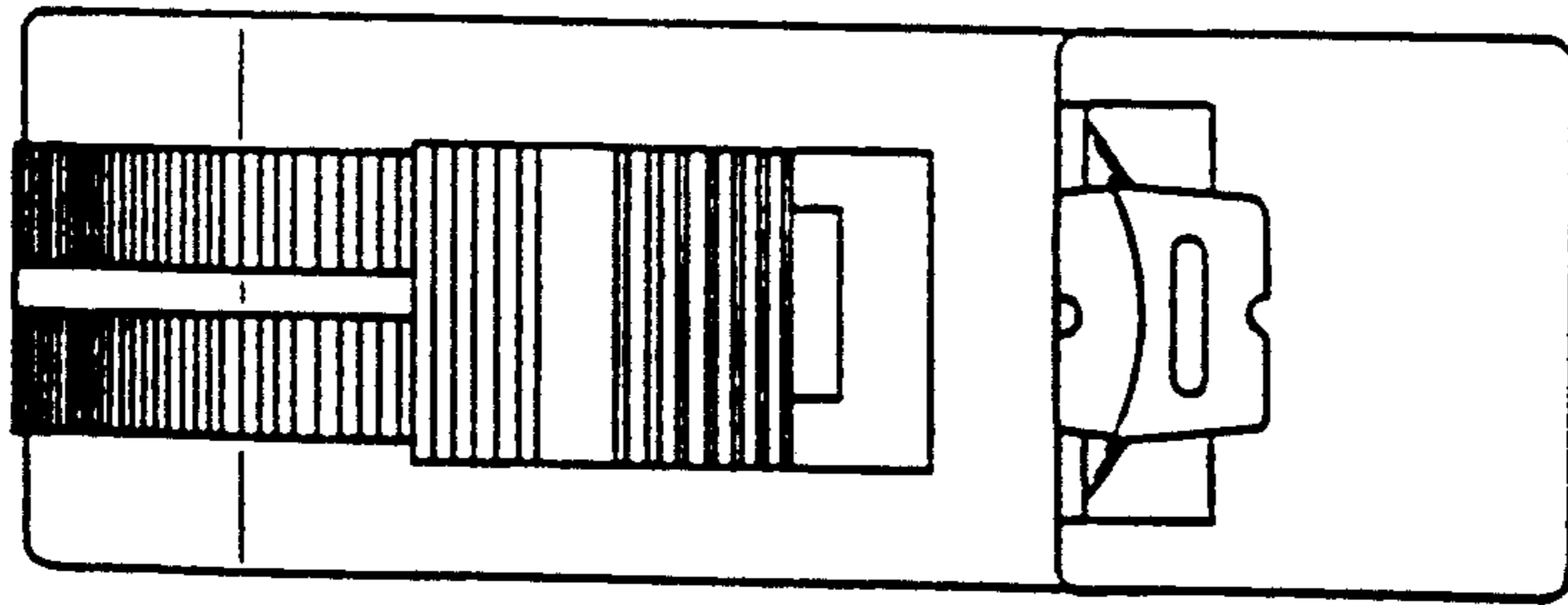


FIG. 4

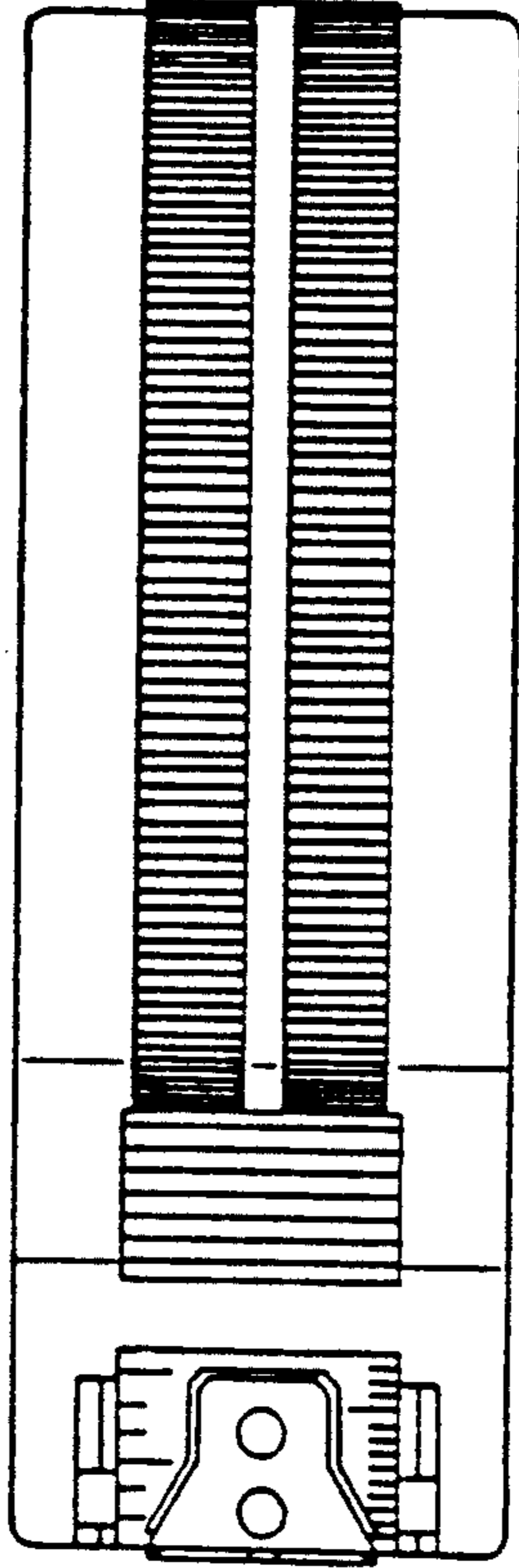


FIG. 6

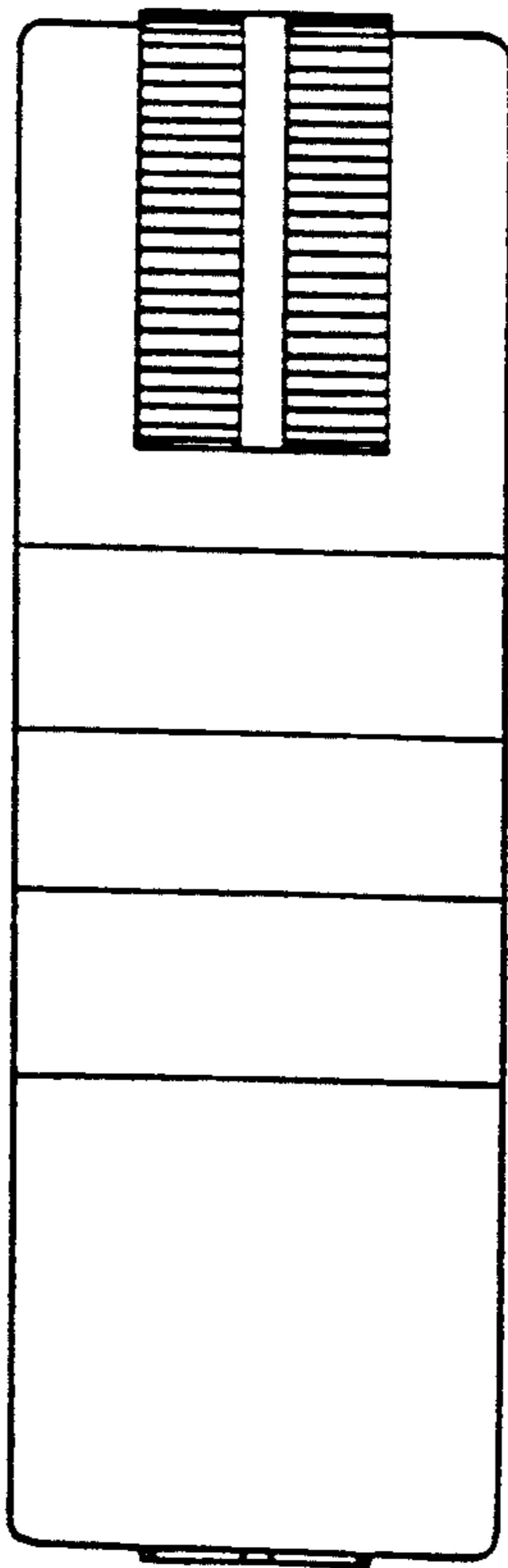


FIG. 7