



US00D342447S

United States Patent [19]

[11] Patent Number: **Des. 342,447**

Aylward

[45] Date of Patent: **** Dec. 21, 1993**

[54] CONTAINER

5,071,060 12/1991 De Felice 220/675 X

[75] Inventor: **Thomas J. Aylward**, Sandusky, Ohio

OTHER PUBLICATIONS

[73] Assignee: **Sandusky Plastics, Inc.**, Sandusky, Ohio

Modern Packaging, Nov. 1956, p. 167.

[**] Term: **14 Years**

Primary Examiner—Prabhakar G. Deshmukh
Attorney, Agent, or Firm—Watts, Hoffmann, Fisher & Heinke

[21] Appl. No.: **918,398**

[57] CLAIM

[22] Filed: **Jul. 21, 1992**

The ornamental design for a container, design as shown and described.

[52] U.S. Cl. **D9/429**

[58] Field of Search D9/428, 429, 431, 424, D9/425, 556, 557, 549; D7/603, 509-513; 220/662, 665, 669, 670, 675, 672, 678, 654, 306, 307, 359; 229/2.5 R, 4.5, 1.5 B

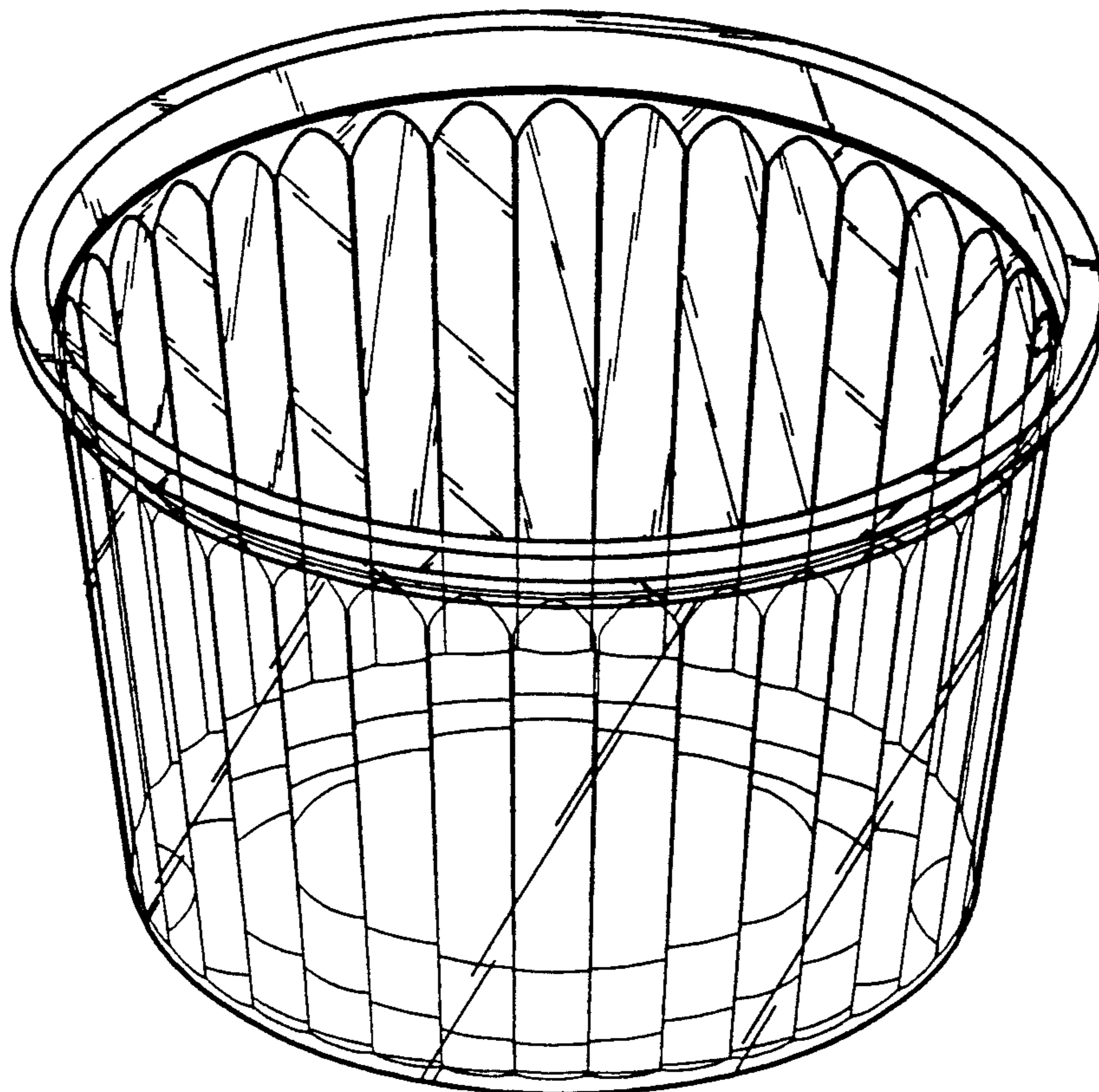
DESCRIPTION

[56] References Cited

U.S. PATENT DOCUMENTS

D. 37,604	10/1905	Fletcher .	
D. 47,721	8/1915	Haley .	
D. 181,516	11/1957	Canfield	D9/429
D. 195,699	7/1963	Bostrom	D9/429
D. 201,400	6/1965	Kneeland .	
D. 204,212	3/1966	Davis	D9/429
D. 220,031	3/1971	Donovan	D9/429
D. 329,198	9/1992	Krupa	D9/429 X
D. 336,041	6/1993	Zama	D9/429
2,935,108	5/1960	Hall	220/675 X
4,753,351	6/1988	Guillin .	
4,863,058	9/1989	Antoni et al.	220/675

FIG. 1 is a perspective view of a container showing my new design;
 FIG. 2 is a typical side elevational view thereof;
 FIG. 3 is a top plan view thereof;
 FIG. 4 is a bottom plan view thereof;
 FIG. 5 is a sectional elevational view taken along line 5—5 of FIG. 3;
 FIG. 6 is a fragmentary sectional view taken along line 6—6 of FIG. 2;
 FIG. 7 is a perspective view of a second embodiment of FIG. 1; and,
 FIG. 8 is a perspective view of a third embodiment of FIG. 1.
 The corresponding views disclosed in the second (FIG. 7) and third (FIG. 8) embodiments are similar to the first embodiment (FIGS. 2-6 inclusive) except the difference in proportions.



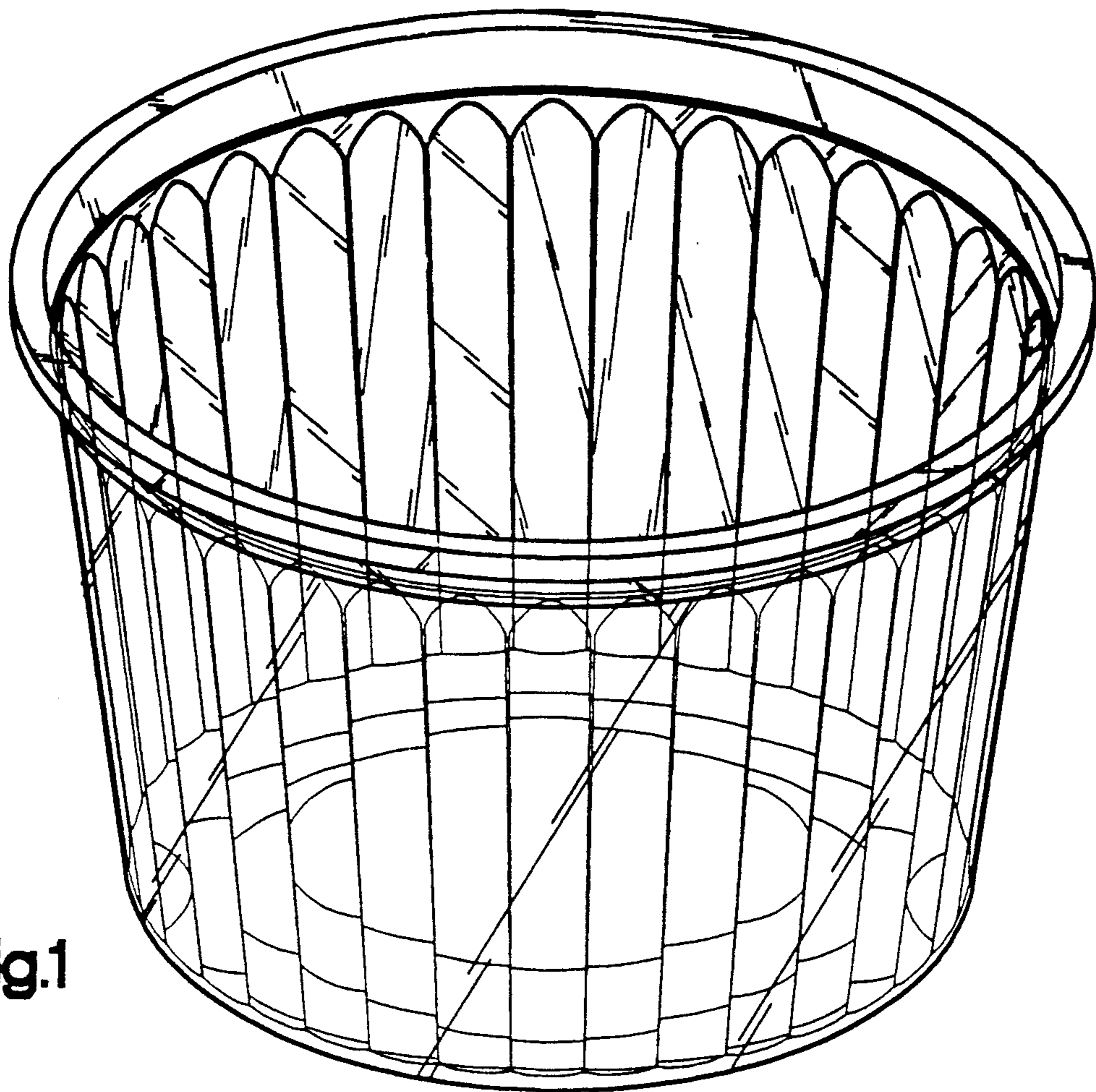


Fig.1

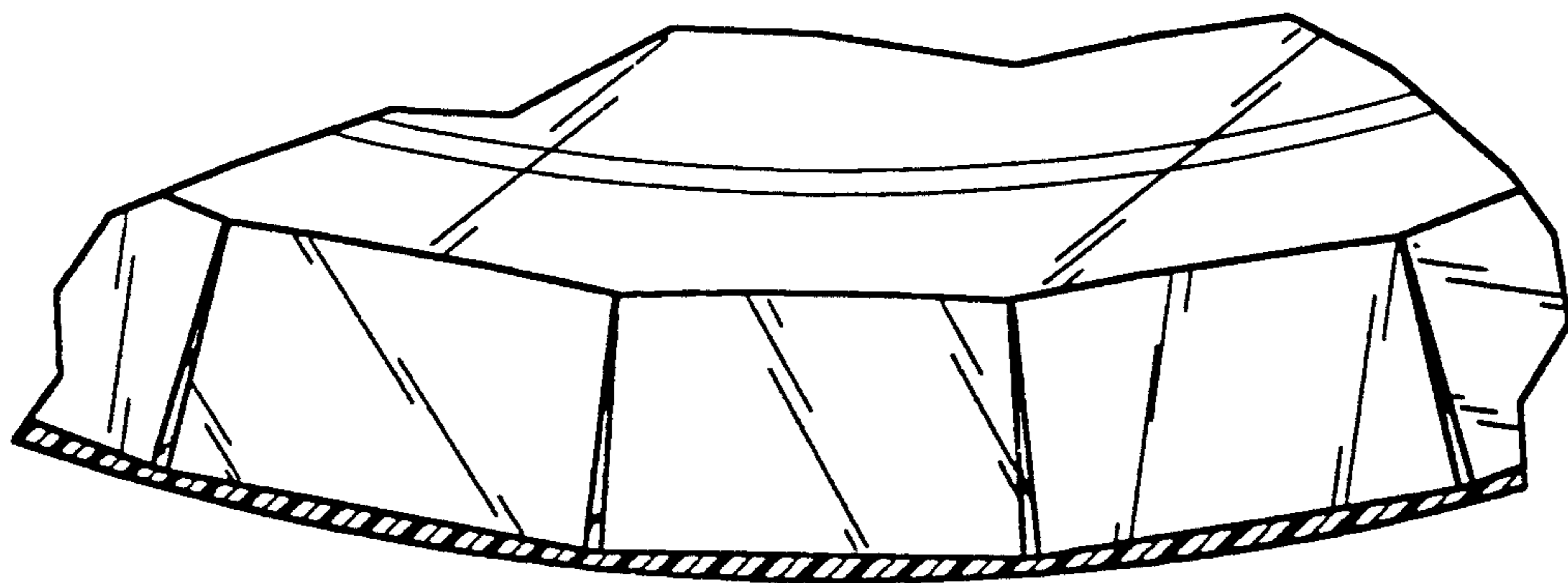


Fig.6

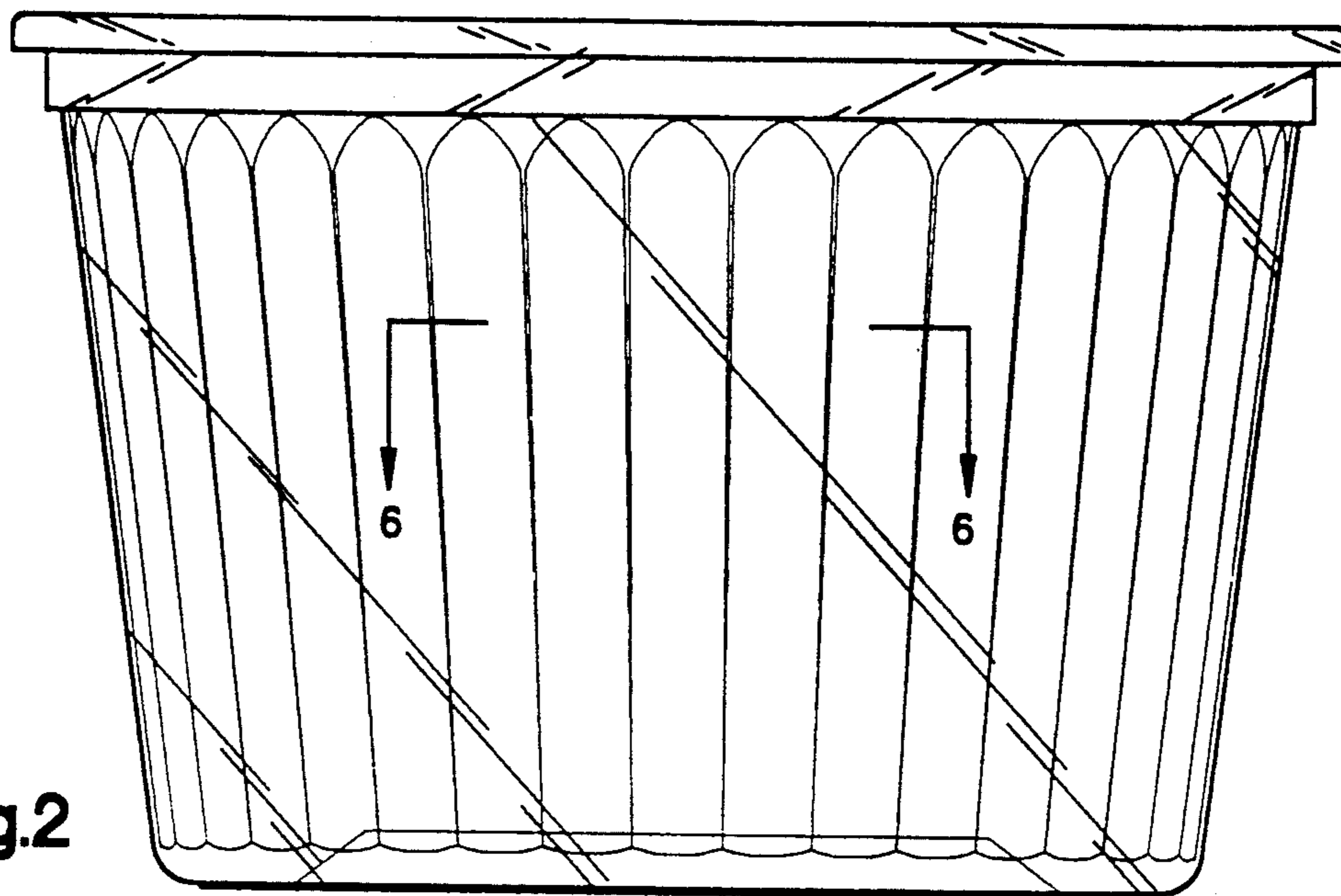


Fig.2

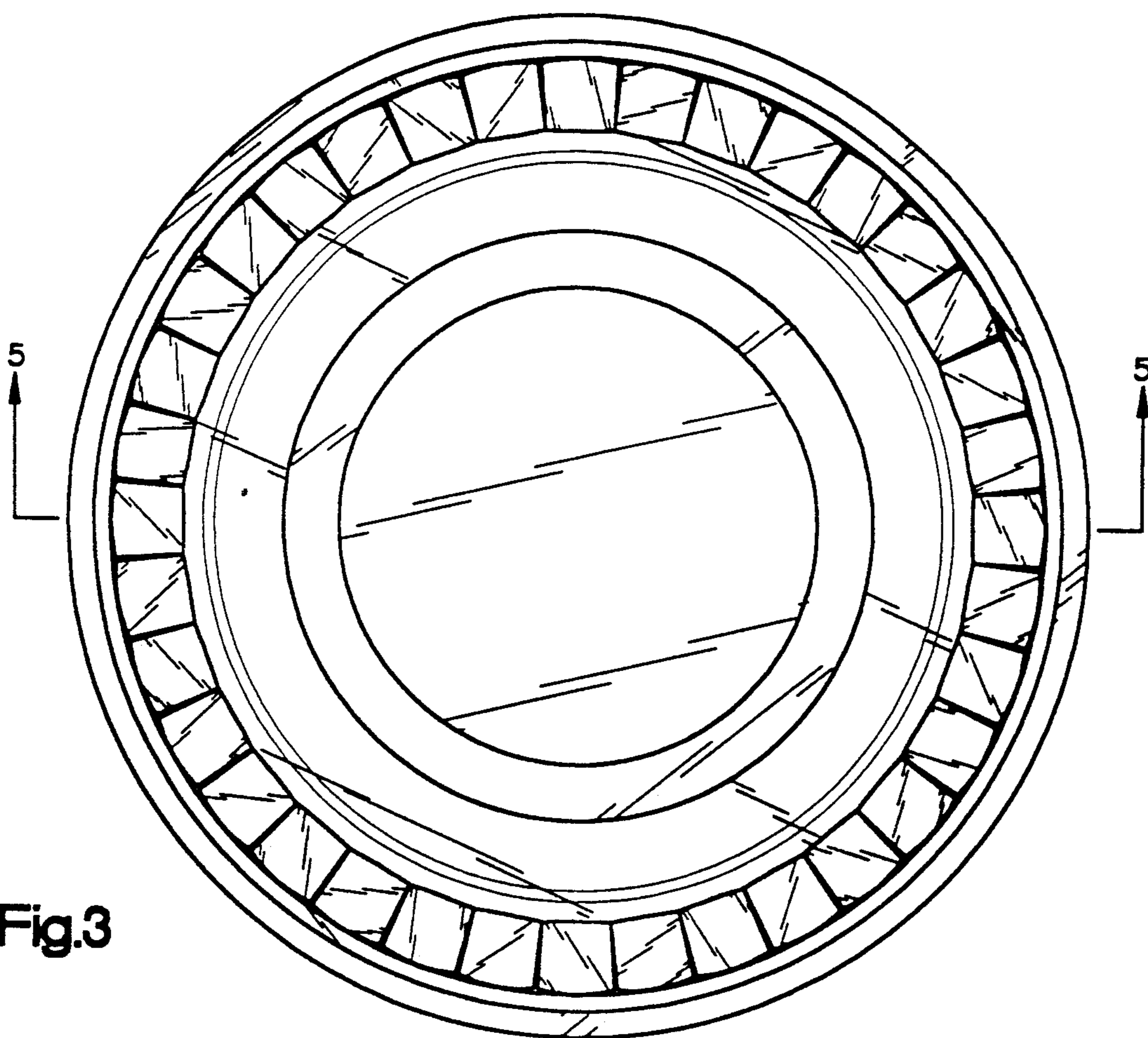


Fig.3

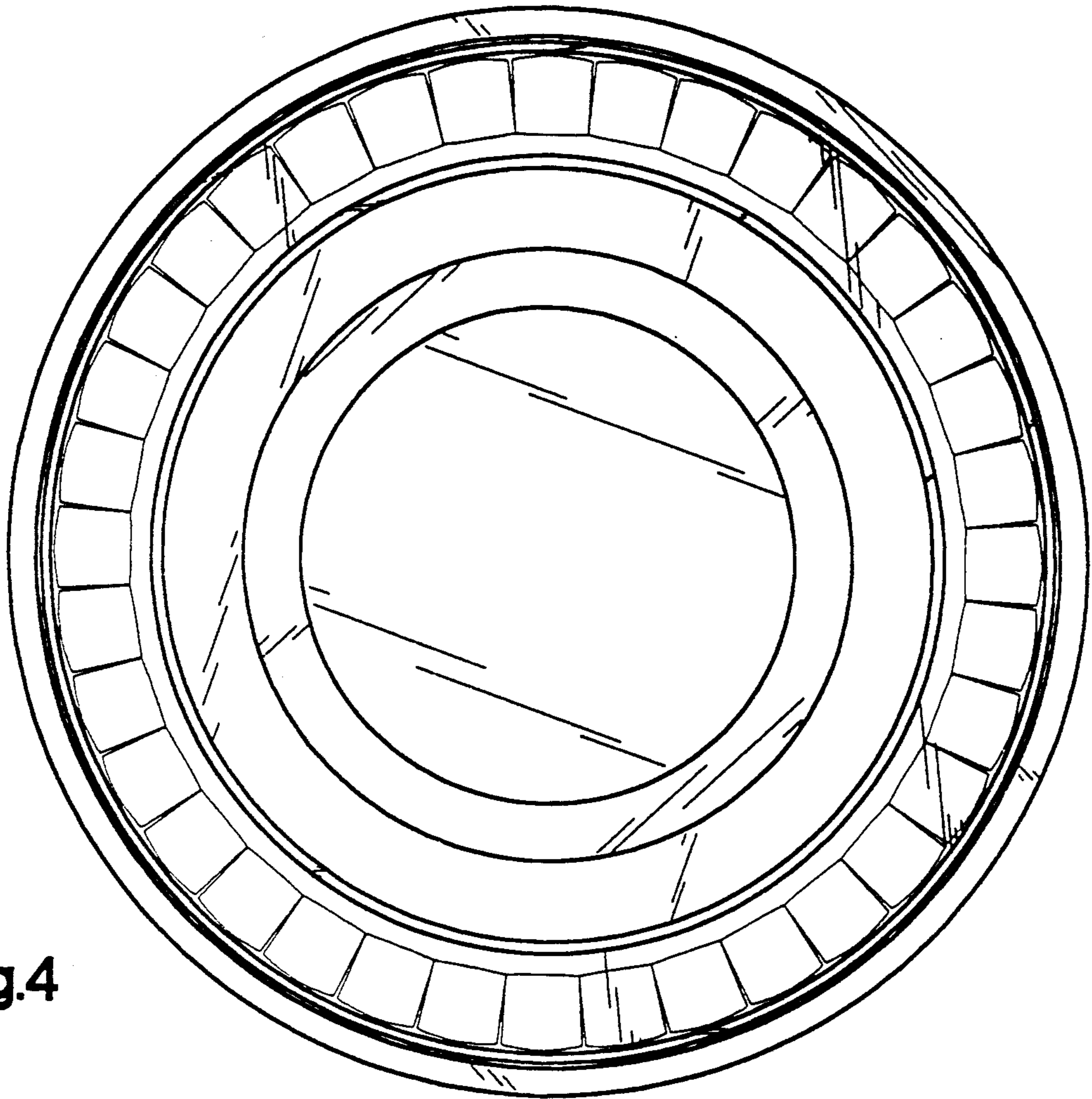


Fig.4

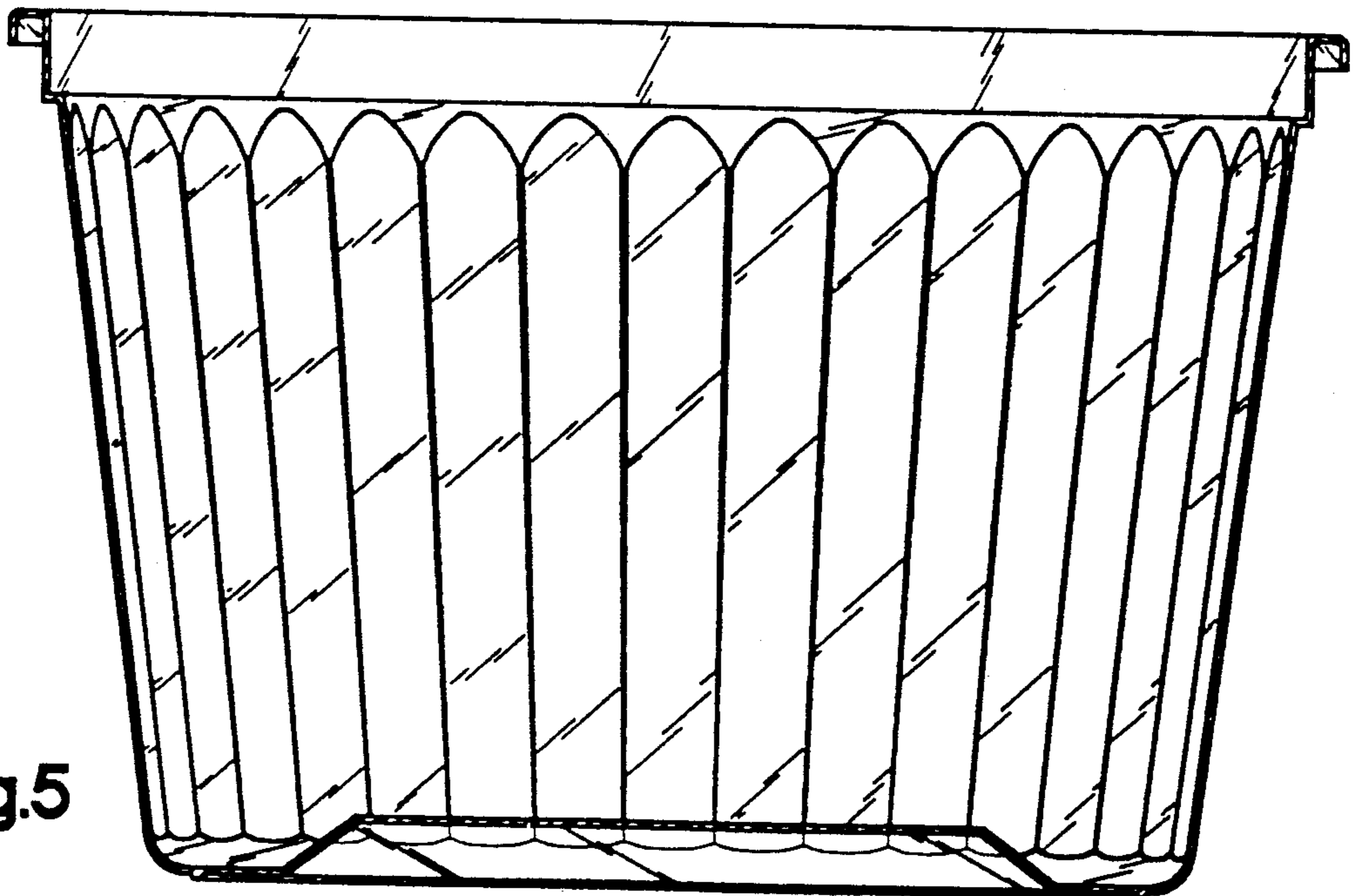


Fig.5

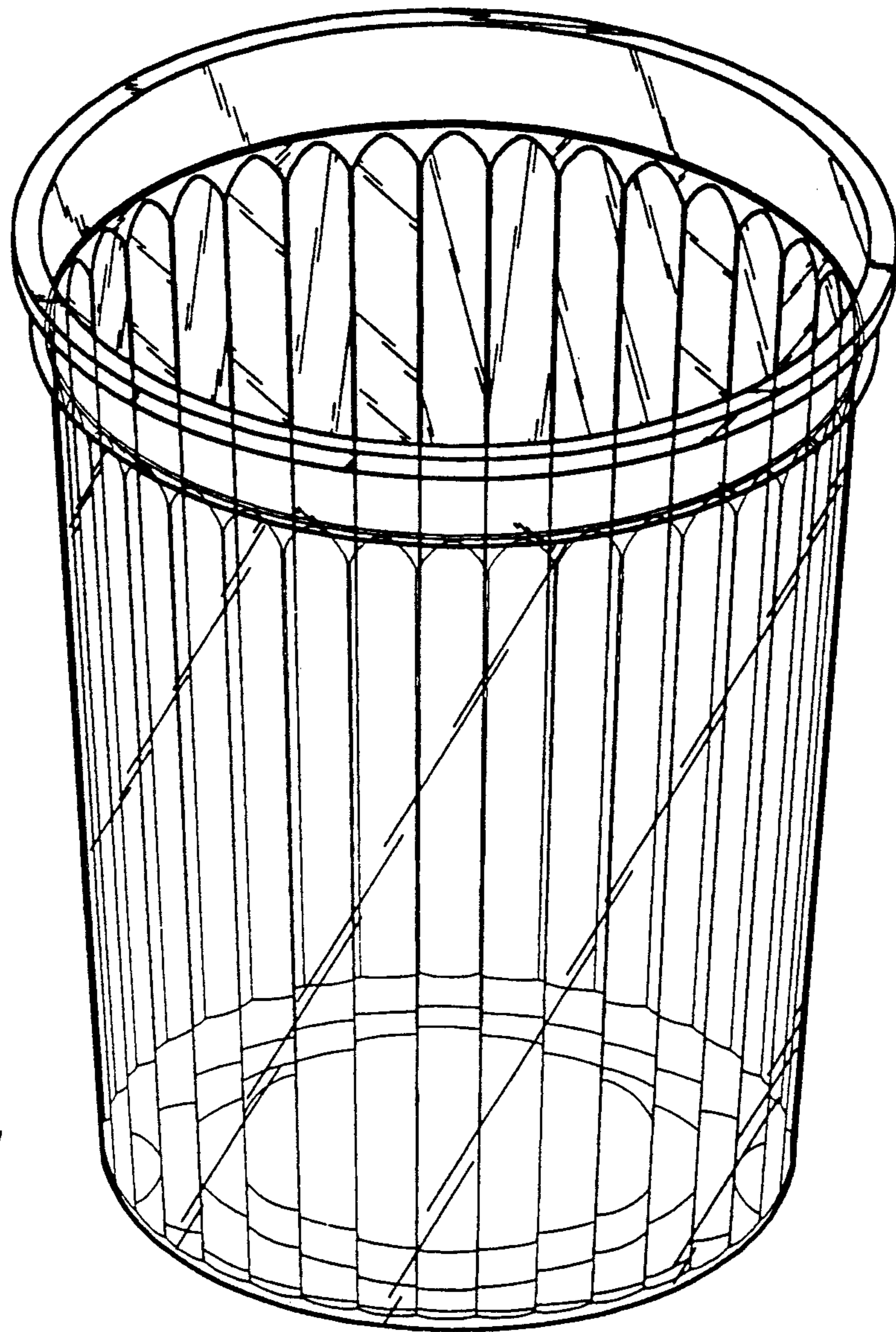


Fig.7

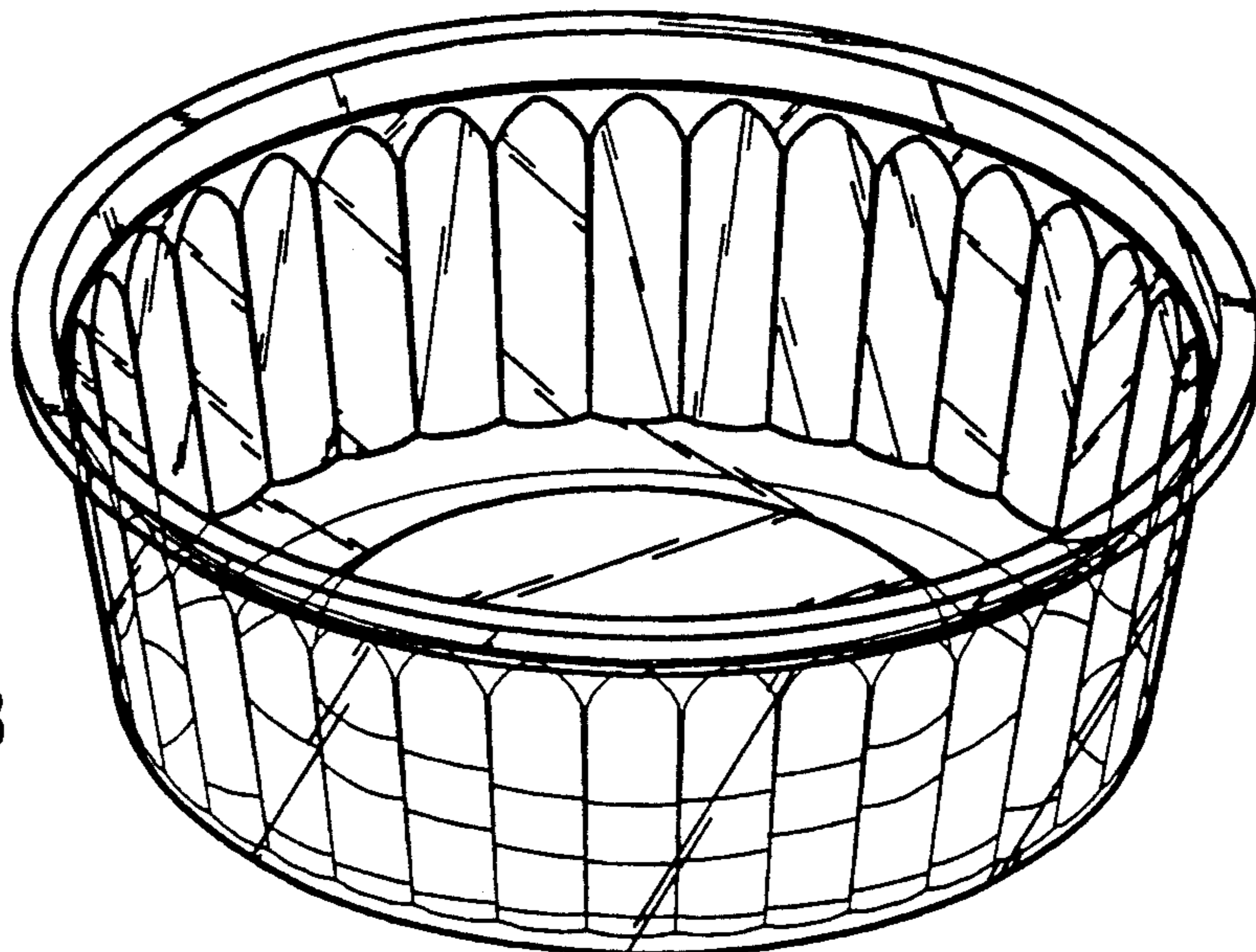


Fig.8