



US00D342444S

# United States Patent [19]

Smith

[11] Patent Number: **Des. 342,444**

[45] Date of Patent: **\*\* Dec. 21, 1993**

[54] **DISPENSING CONTAINER**

[75] Inventor: **Robert C. Smith, Short Hills, N.J.**

[73] Assignee: **Unette Corporation, Parsippany, N.J.**

[\*\*] Term: **14 Years**

[21] Appl. No.: **902,288**

[22] Filed: **Jun. 19, 1992**

[52] U.S. Cl. .... **D9/302; D9/416**

[58] Field of Search ..... **D9/302, 306, 416; 206/820; 222/107, 215**

4,488,642 12/1984 Changani ..... 206/820 X  
4,934,526 6/1990 Van Ingen Schenau ..... 206/820 X

### OTHER PUBLICATIONS

Packaging; Dec. 1985; p. 60; 3 dispensing tubes on left of page.

*Primary Examiner*—Bernard Ansher  
*Assistant Examiner*—Mitchell Siegel  
*Attorney, Agent, or Firm*—Mathews, Woodbridge & Collins

[56] **References Cited**

#### U.S. PATENT DOCUMENTS

D. 184,558	3/1959	Brown	.....	D9/416
D. 205,965	10/1966	Loesser	.....	D9/416
D. 210,818	4/1968	Caliman	.....	D9/416
D. 212,150	9/1968	Caliman	.....	D9/416
D. 248,732	8/1978	Vollmar	.....	D9/302
D. 267,927	2/1983	Smith	.....	D9/302
D. 282,348	1/1986	Federighi	.....	D9/302 X
D. 286,504	11/1986	Loesser et al.	.....	D9/302
D. 318,795	8/1991	Christine	.....	D9/302

[57] **CLAIM**

An ornamental design for a dispensing container, as shown and described.

### DESCRIPTION

FIG. 1 is a perspective view of a dispensing container showing my new design;  
FIG. 2 is a top plan view thereof, the undisclosed opposite side being identical;  
FIG. 3 is a side elevational view thereof, the undisclosed opposite side being a mirror image;  
FIG. 4 is a left end view thereof; and,  
FIG. 5 is a right end view thereof.

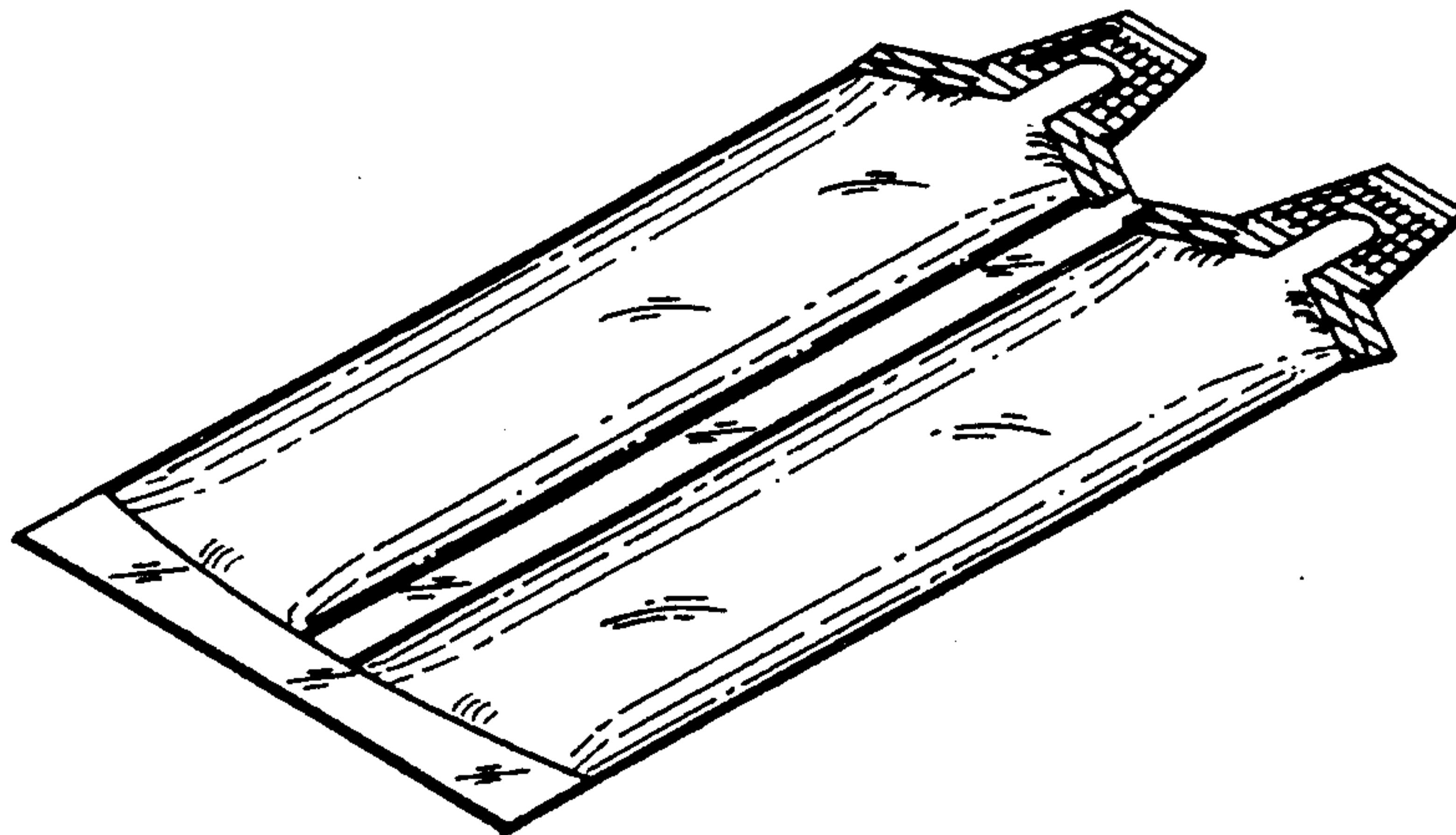


FIG. 1

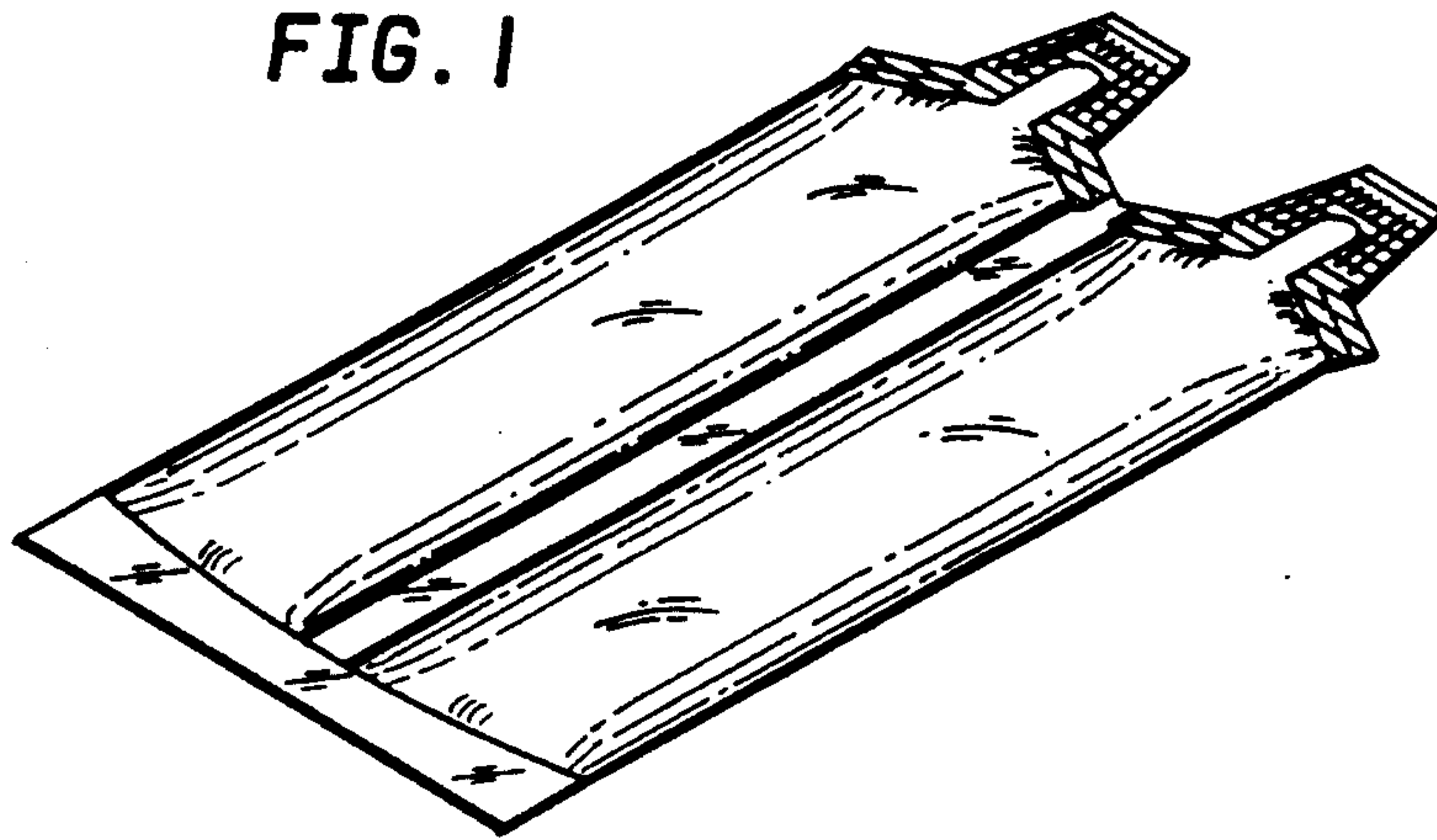


FIG. 2

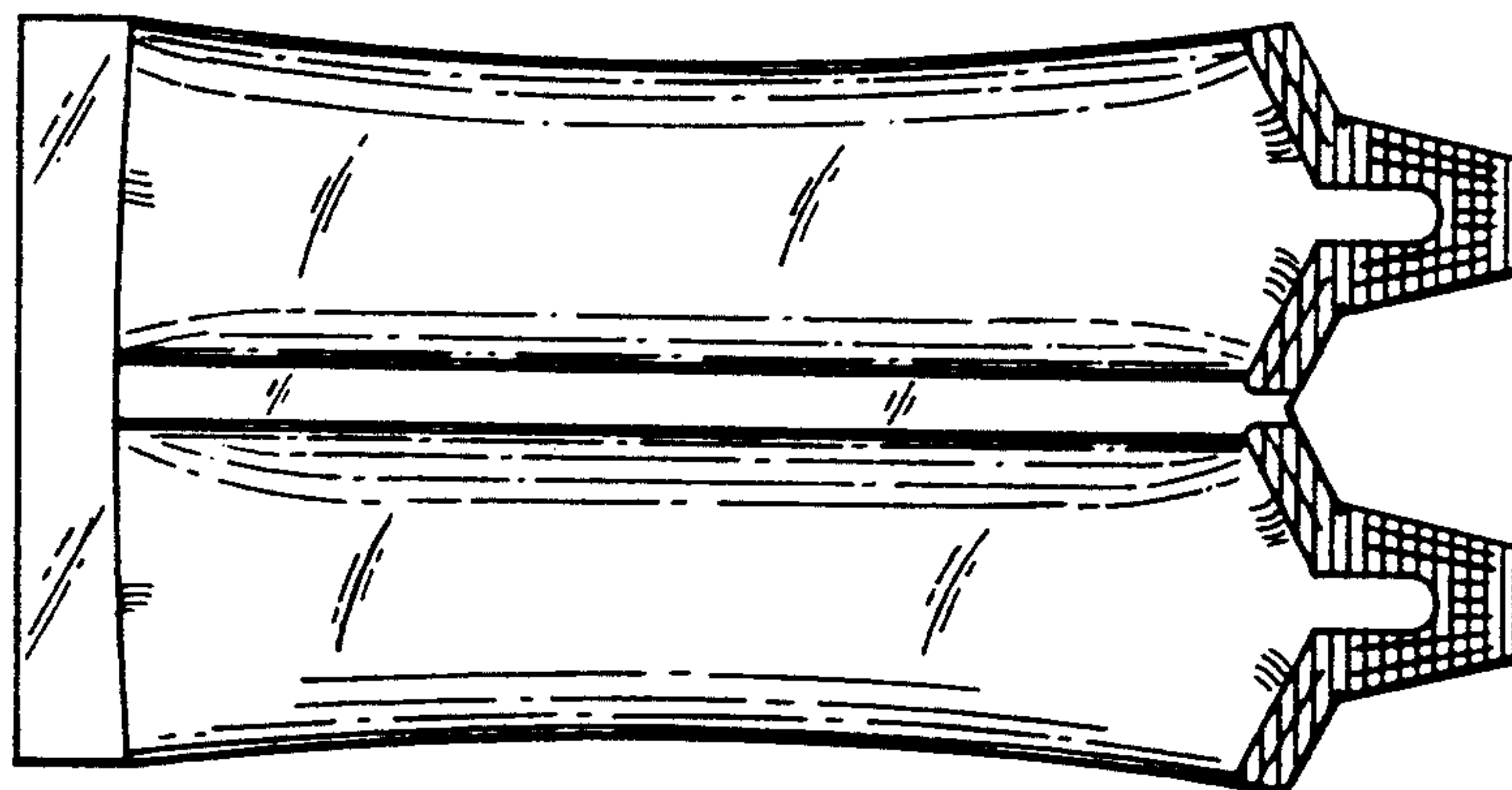


FIG. 3

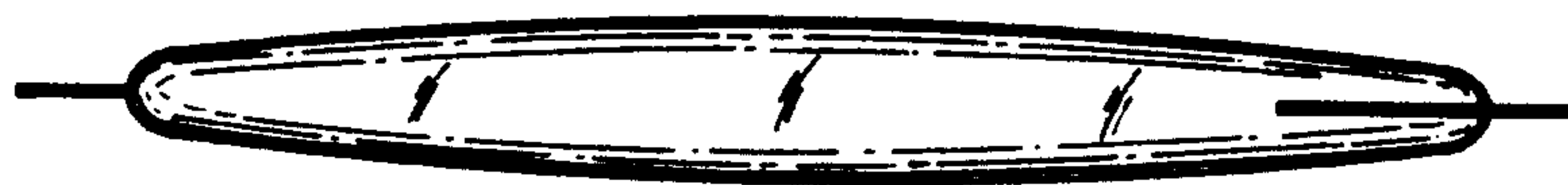


FIG. 4



FIG. 5

