



US00D342443S

United States Patent [19] Smith

[11] Patent Number: **Des. 342,443**

[45] Date of Patent: **** Dec. 21, 1993**

[54] **DISPENSING CONTAINER**

[75] Inventor: **Robert C. Smith, Short Hills, N.J.**

[73] Assignee: **Unette Corporation, Parsippany, N.J.**

[**] Term: **14 Years**

[21] Appl. No.: **902,287**

[22] Filed: **Jun. 19, 1992**

[52] U.S. Cl. **D9/302; D9/416**

[58] Field of Search **D9/302, 306, 416;
206/820; 222/107, 215**

4,488,642 12/1984 Changani 206/820 X
4,934,526 6/1990 Van Ingen Schenau 206/820 X

OTHER PUBLICATIONS

Packaging; Dec. 1985; p. 60; 3 dispensing tubes on left of page.

Primary Examiner—Bernard Ansher
Assistant Examiner—Mitchell Siegel
Attorney, Agent, or Firm—Mathews, Woodbridge & Collins

[57] **CLAIM**

An ornamental design for a dispensing container, as shown and described.

[56] **References Cited**

U.S. PATENT DOCUMENTS

D. 184,558	3/1959	Brown	D9/416
D. 205,965	10/1966	Loesser	D9/416
D. 210,818	4/1968	Caliman	D9/416
D. 212,150	9/1968	Caliman	D9/416
D. 248,732	8/1978	Vollmar	D9/302
D. 267,927	2/1983	Smith	D9/302
D. 282,348	1/1986	Federighi	D9/302 X
D. 286,504	11/1986	Loesser et al.	D9/302
D. 318,795	8/1991	Christine	D9/302

DESCRIPTION

FIG. 1 is a perspective view of a dispensing container showing my new design;
FIG. 2 is a top plan view thereof, the undisclosed opposite side being identical;
FIG. 3 is a side elevational view thereof, the undisclosed opposite side being a mirror image; and,
FIG. 4 is a left end view thereof, the undisclosed opposite side being a mirror image.

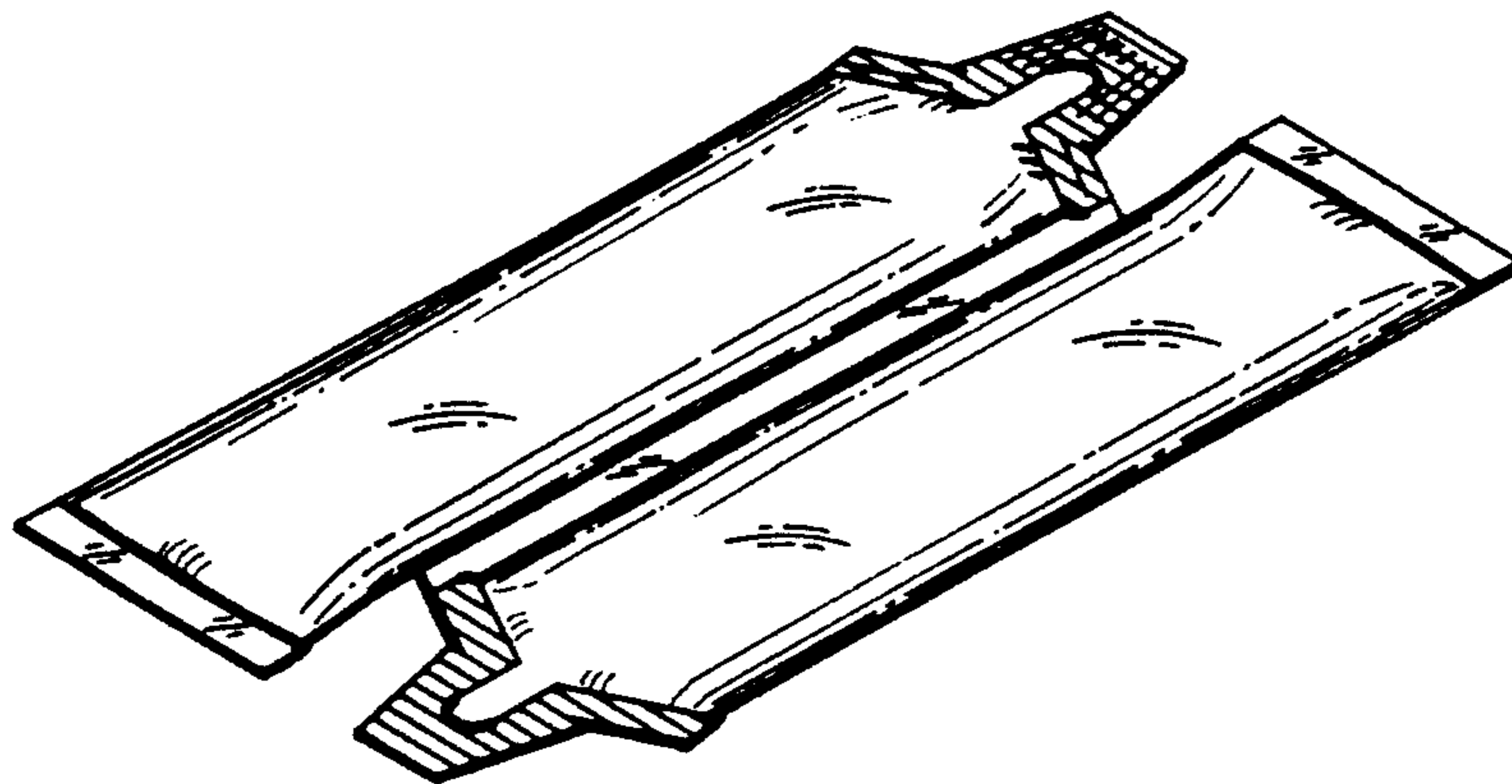


FIG. 1

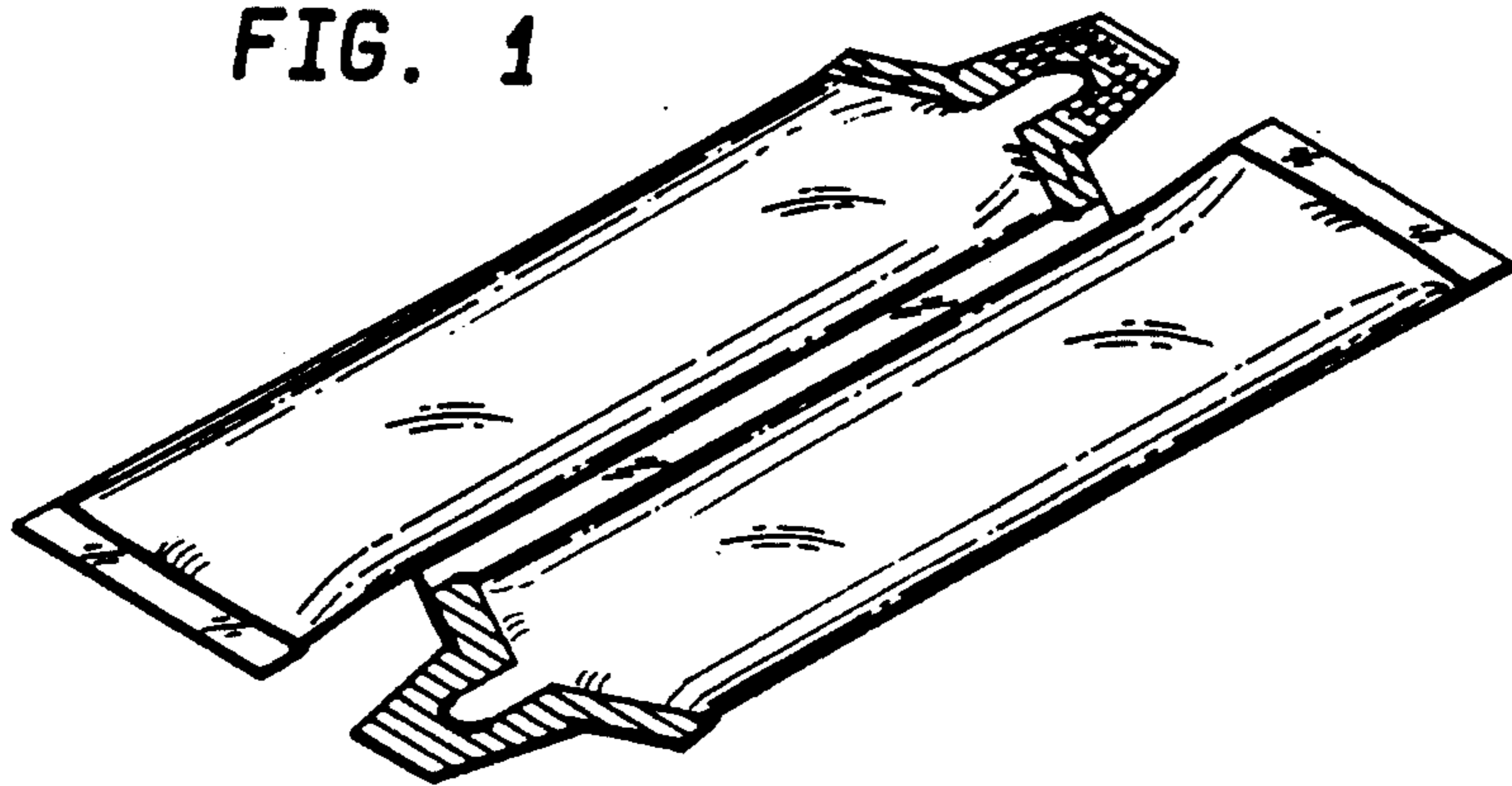


FIG. 2

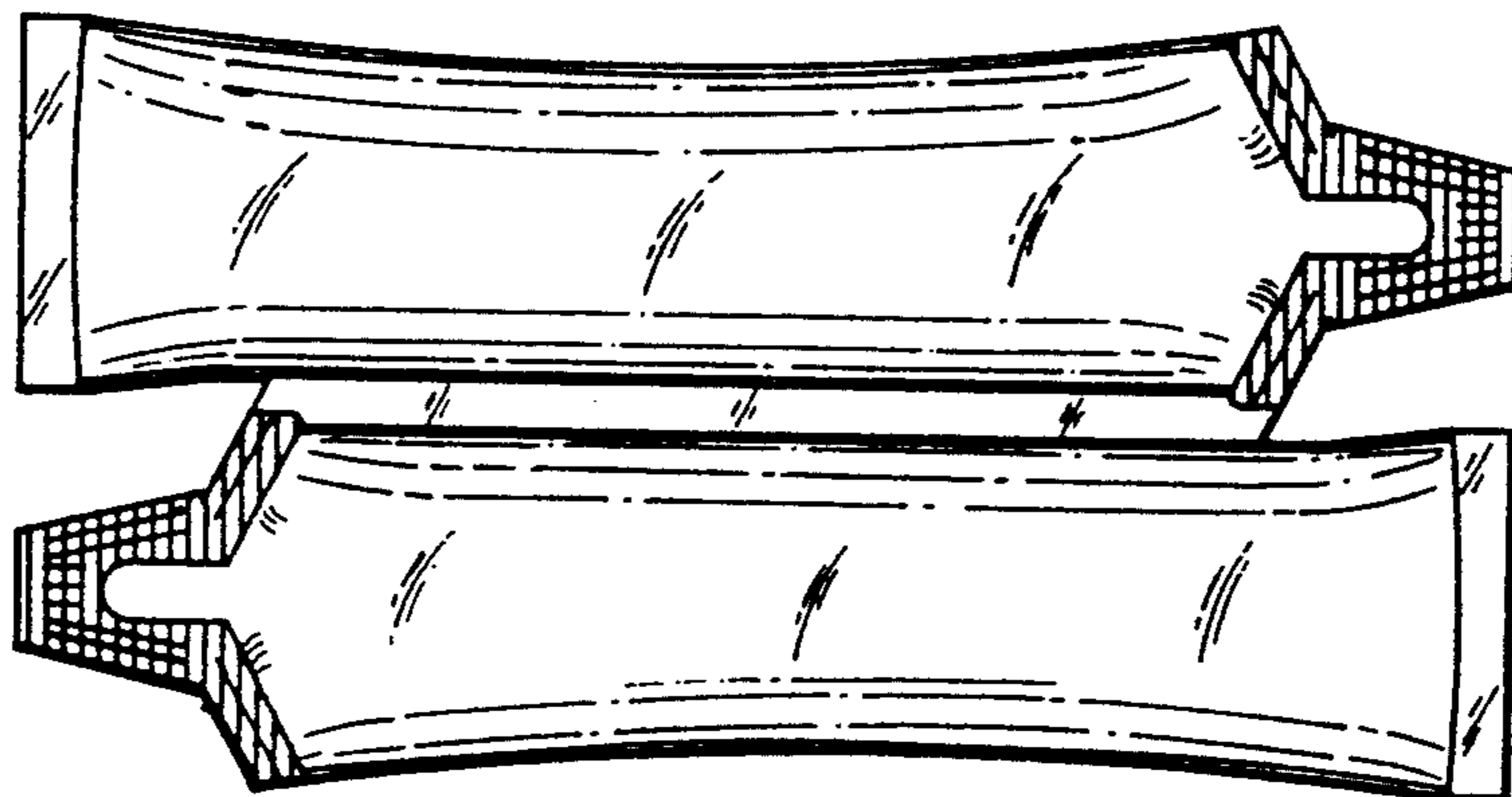


FIG. 3

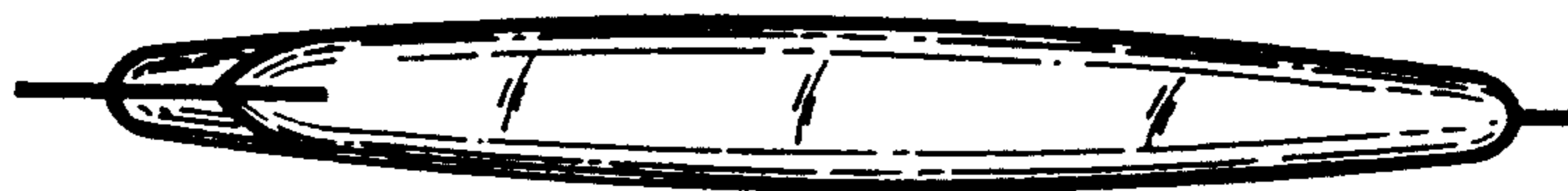


FIG. 4

