



US00D342440S

United States Patent [19]

[11] Patent Number: **Des. 342,440**

Forsberg

[45] Date of Patent: **** Dec. 21, 1993**

[54] **HOLDING DEVICE FOR TOOLS,
INSTRUMENTS AND PIPES**

[76] Inventor: **Bengt Forsberg, Fänestad, 330 12
Forsheda, Sweden**

[**] Term: **14 Years**

[21] Appl. No.: **812,210**

[22] Filed: **Dec. 2, 1991**

[30] **Foreign Application Priority Data**

Jun. 24, 1991 [SE] Sweden 91-1304

[52] U.S. Cl. **D8/373; D8/71**

[58] Field of Search **D8/72, 73, 373;
248/74.1, 62, 74.4, 55, 58, 65, 228; 269/268,
238; D6/567-571**

[56] **References Cited**

U.S. PATENT DOCUMENTS

D. 281,393 11/1985 Karnhag et al. D8/373

D. 294,457 3/1988 Doty et al. D8/373
D. 295,607 5/1988 Rademacher et al. D8/373
D. 296,074 6/1988 Seyfarth D8/373
D. 312,031 11/1990 McCleary D8/71
D. 328,363 7/1992 Young D8/373

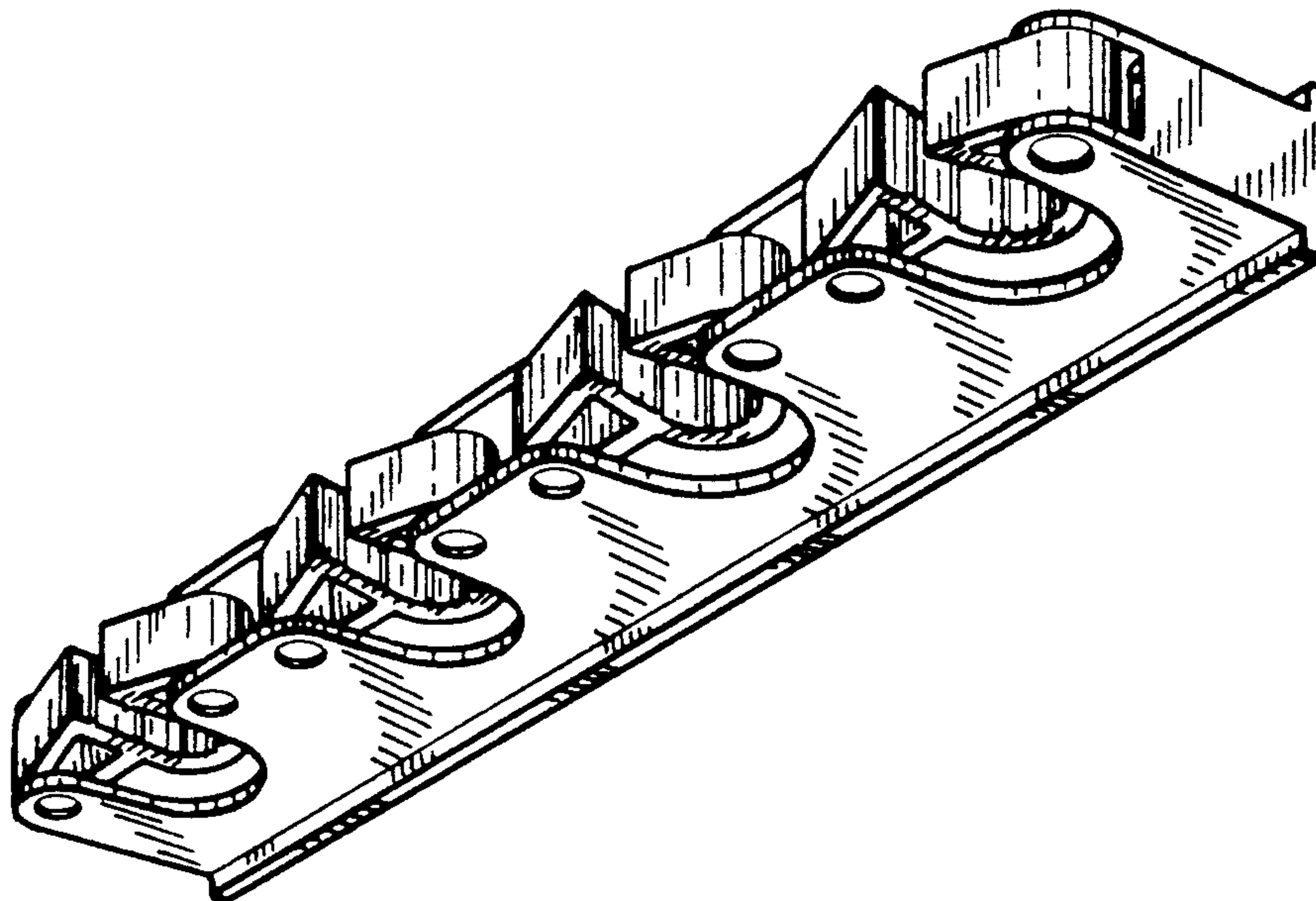
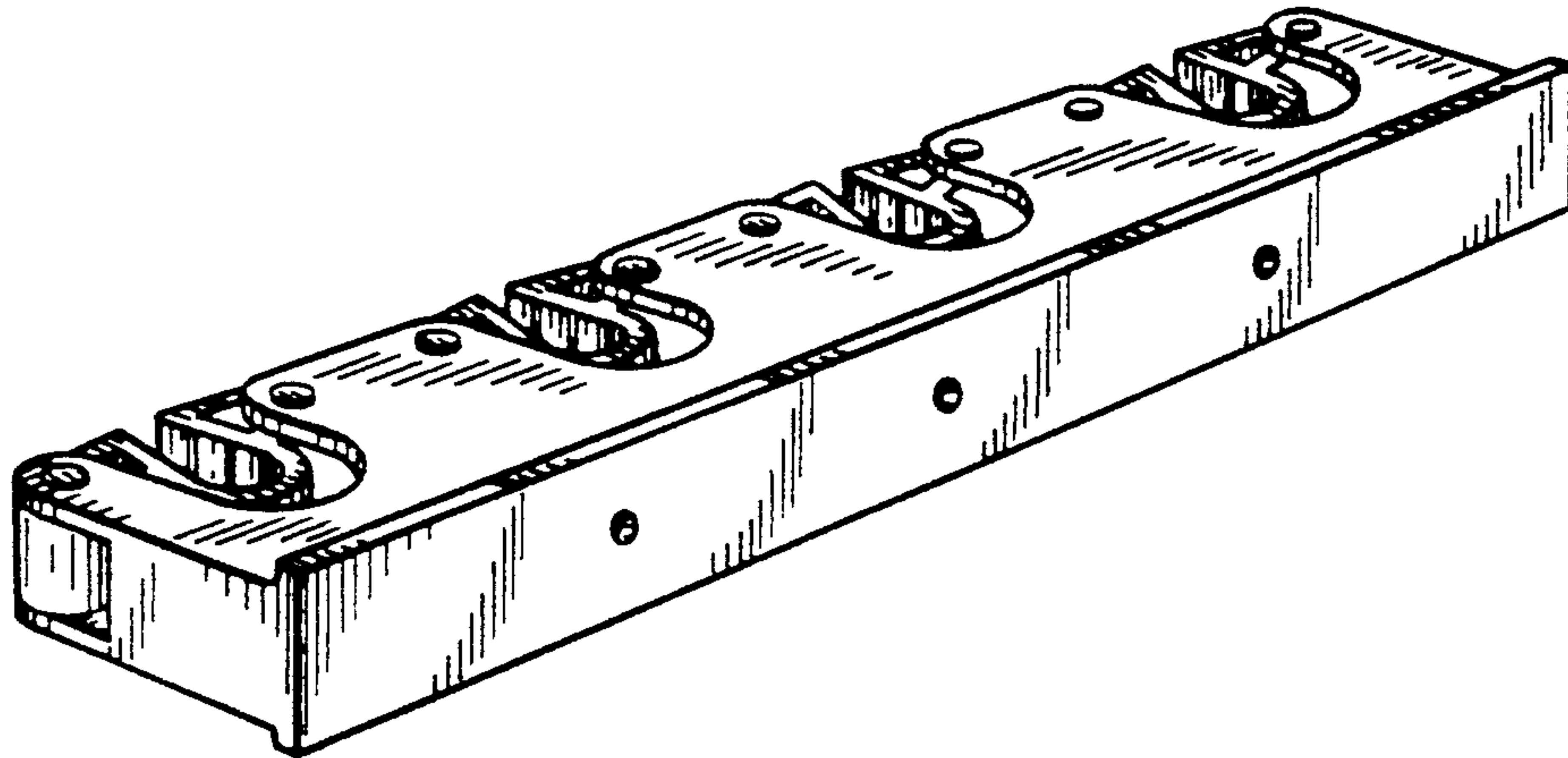
Primary Examiner—Alan P. Douglas
Assistant Examiner—J. H. Musgrove

[57] **CLAIM**

The ornamental design for a holding device for tools, instruments and pipes, as shown and described.

DESCRIPTION

FIG. 1 is a perspective view thereof as seen from the top showing the rear and end view;
FIG. 2 is a perspective view thereof as seen from the bottom showing the front and end view;
FIG. 3 is a perspective view thereof as seen from the top showing the rear end view thereof; and,
FIG. 4 is a perspective view thereof as seen from the bottom showing the front and end view.



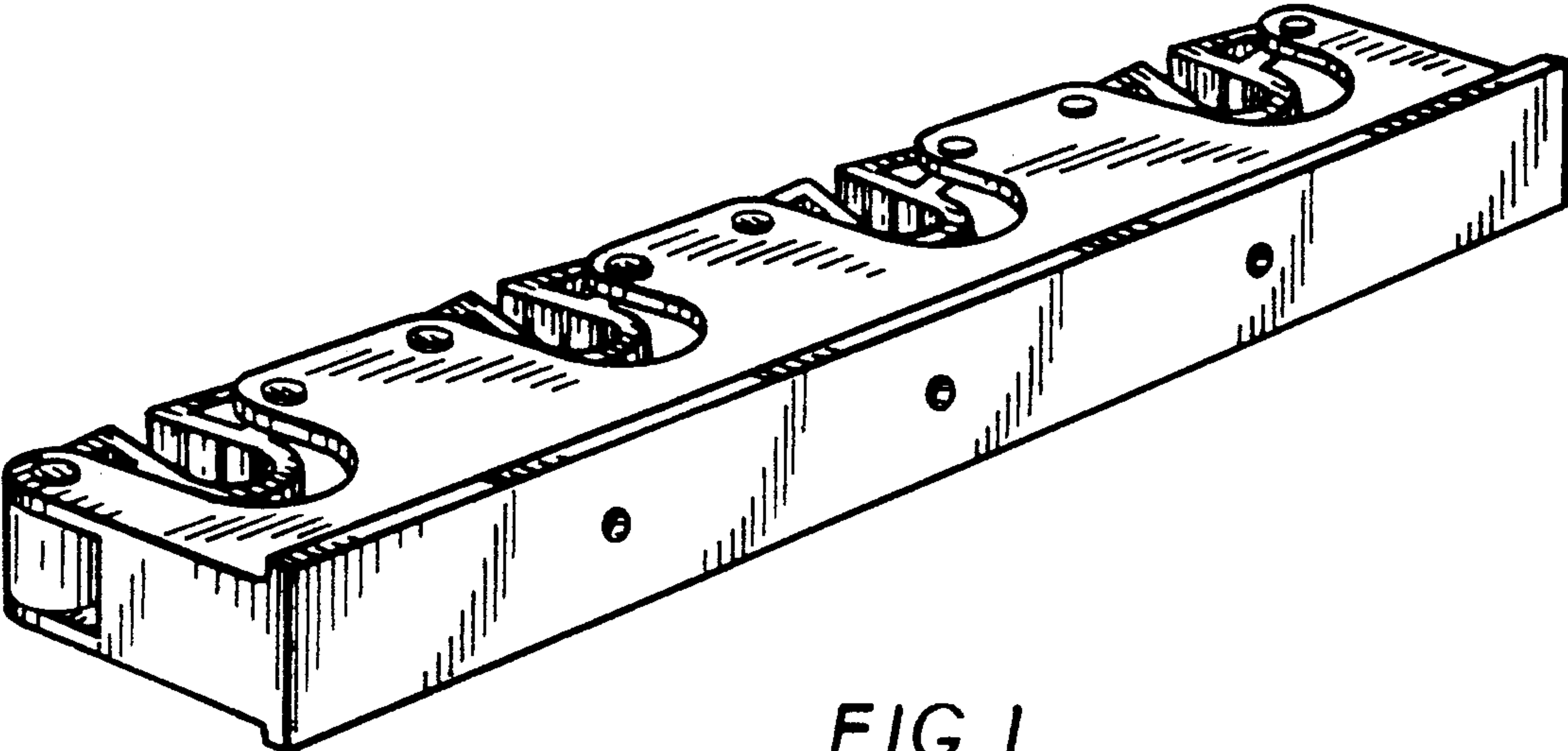


FIG. 1

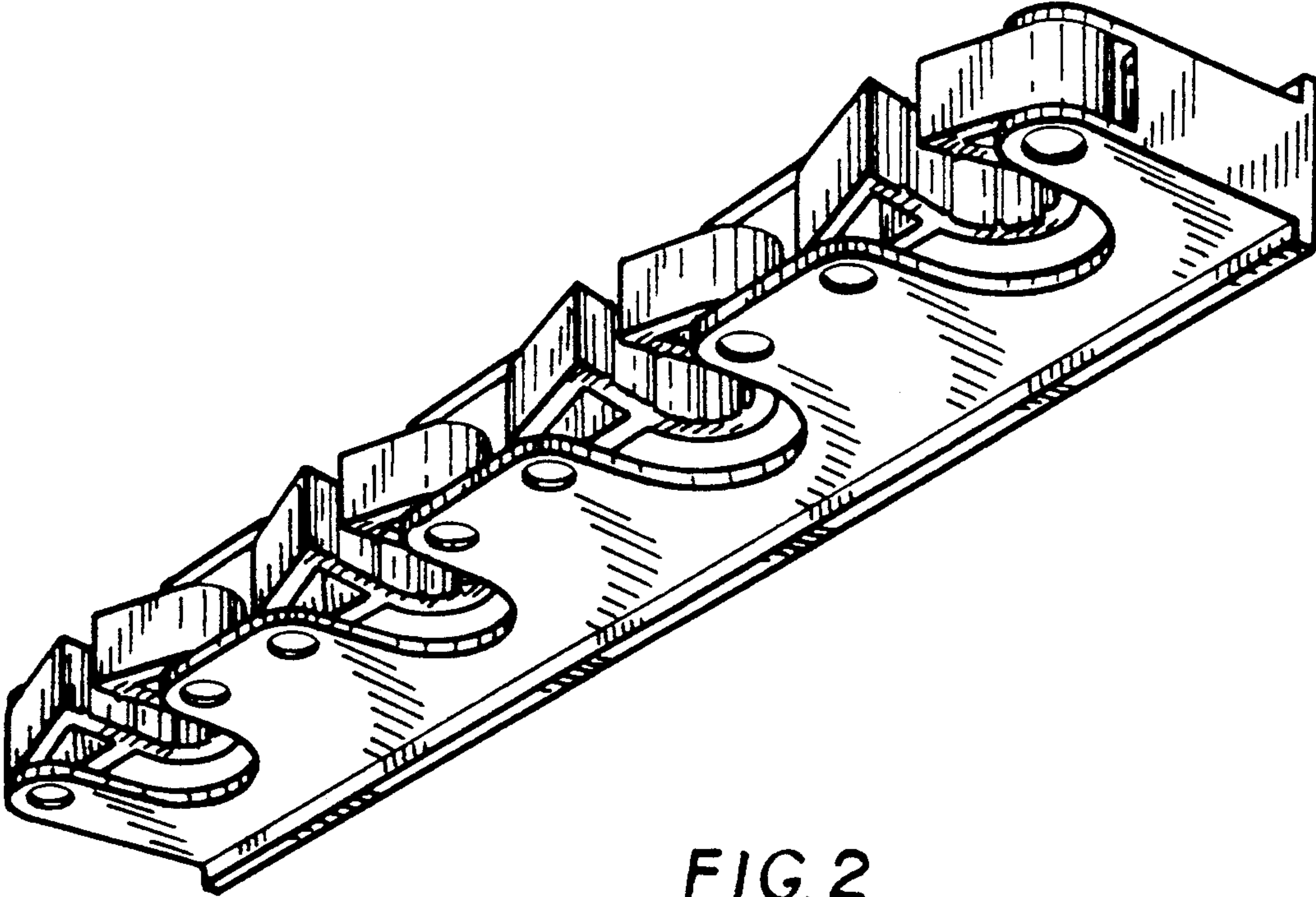


FIG. 2

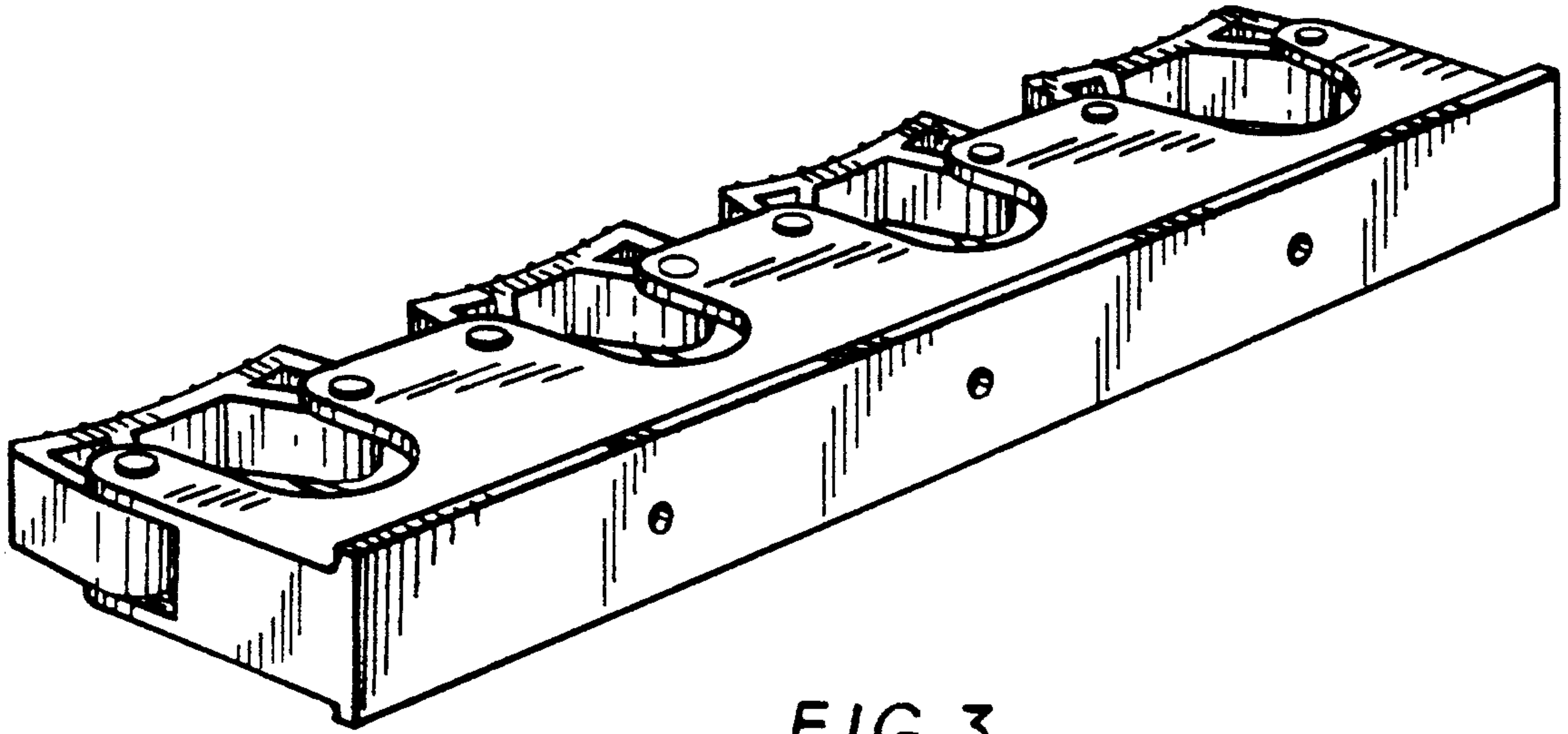


FIG. 3

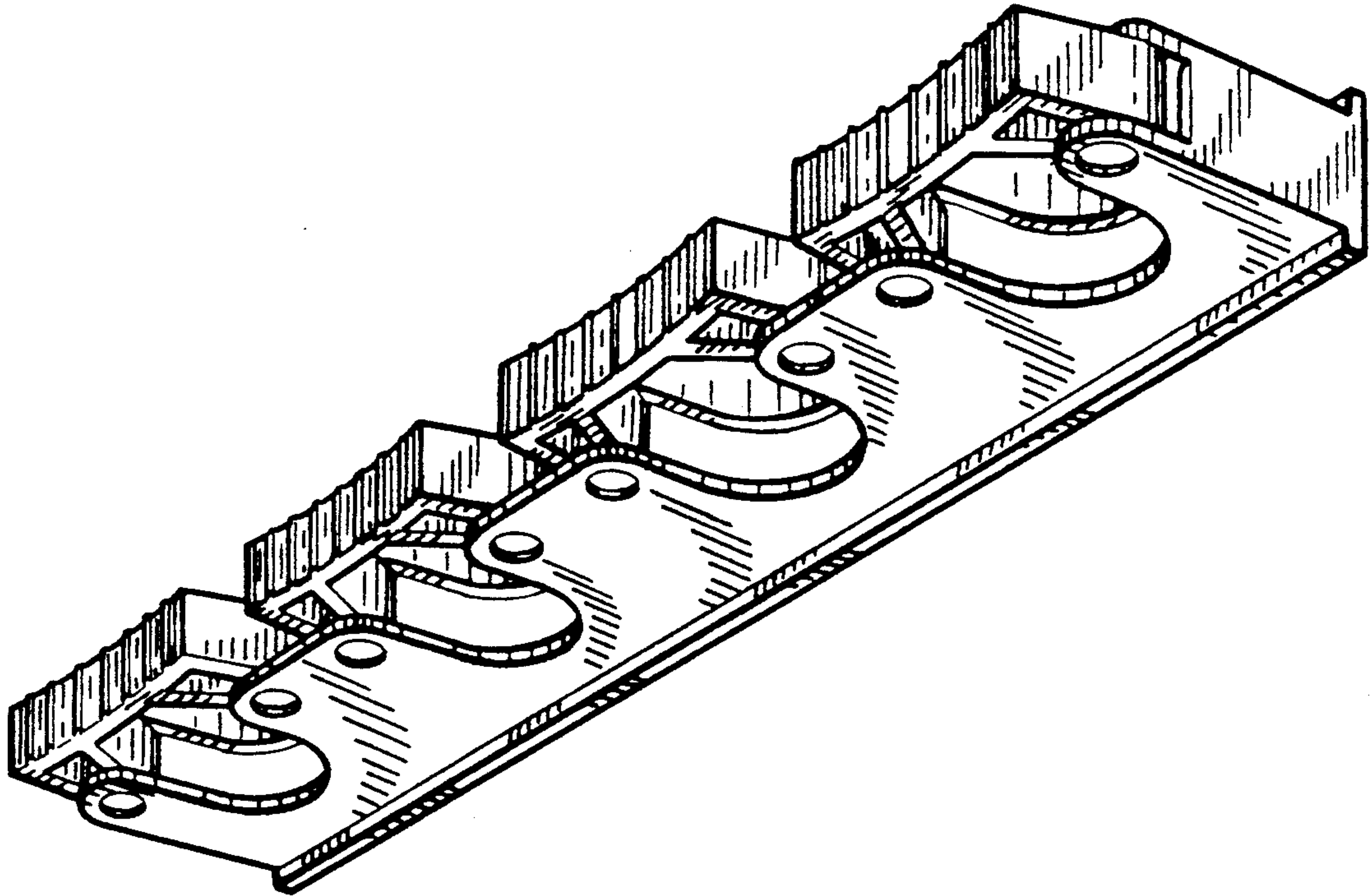


FIG. 4

UNITED STATES PATENT AND TRADEMARK OFFICE
CERTIFICATE OF CORRECTION

PATENT NO. :Des. 342,440

DATED :December 21, 1993

INVENTOR(S) :Bengt Forsberg

It is certified that error appears in the above-identified patent and that said Letters Patent is hereby corrected as shown below:

**On the Title Page, Item [22] should read:
[22] Filed: Dec. 23, 1991**

Signed and Sealed this
Twenty-first Day of June, 1994

Attest:



BRUCE LEHMAN

Attesting Officer

Commissioner of Patents and Trademarks