



US00D342439S

United States Patent [19]

[11] Patent Number: Des. 342,439

Sachs

[45] Date of Patent: ** Dec. 21, 1993

[54] WIRE HOLDER

[76] Inventor: Isaac Sachs, 283 Newton, Dollard-des-Ormeaux, Quebec, Canada, H9A 3G1

[**] Term: 14 Years

[21] Appl. No.: 856,931

[22] Filed: Mar. 24, 1992

[52] U.S. Cl. D8/356

[58] Field of Search D8/356; 248/97, 74.2, 248/74.1; 174/65 R

[56] **References Cited**

U.S. PATENT DOCUMENTS

D. 140,381	2/1945	Anderson	D8/356	X
D. 185,795	8/1959	Mirrione	D8/383	
D. 206,680	1/1967	Hedberg	D8/354	
2,775,013	12/1956	Pedreo	D8/383	X

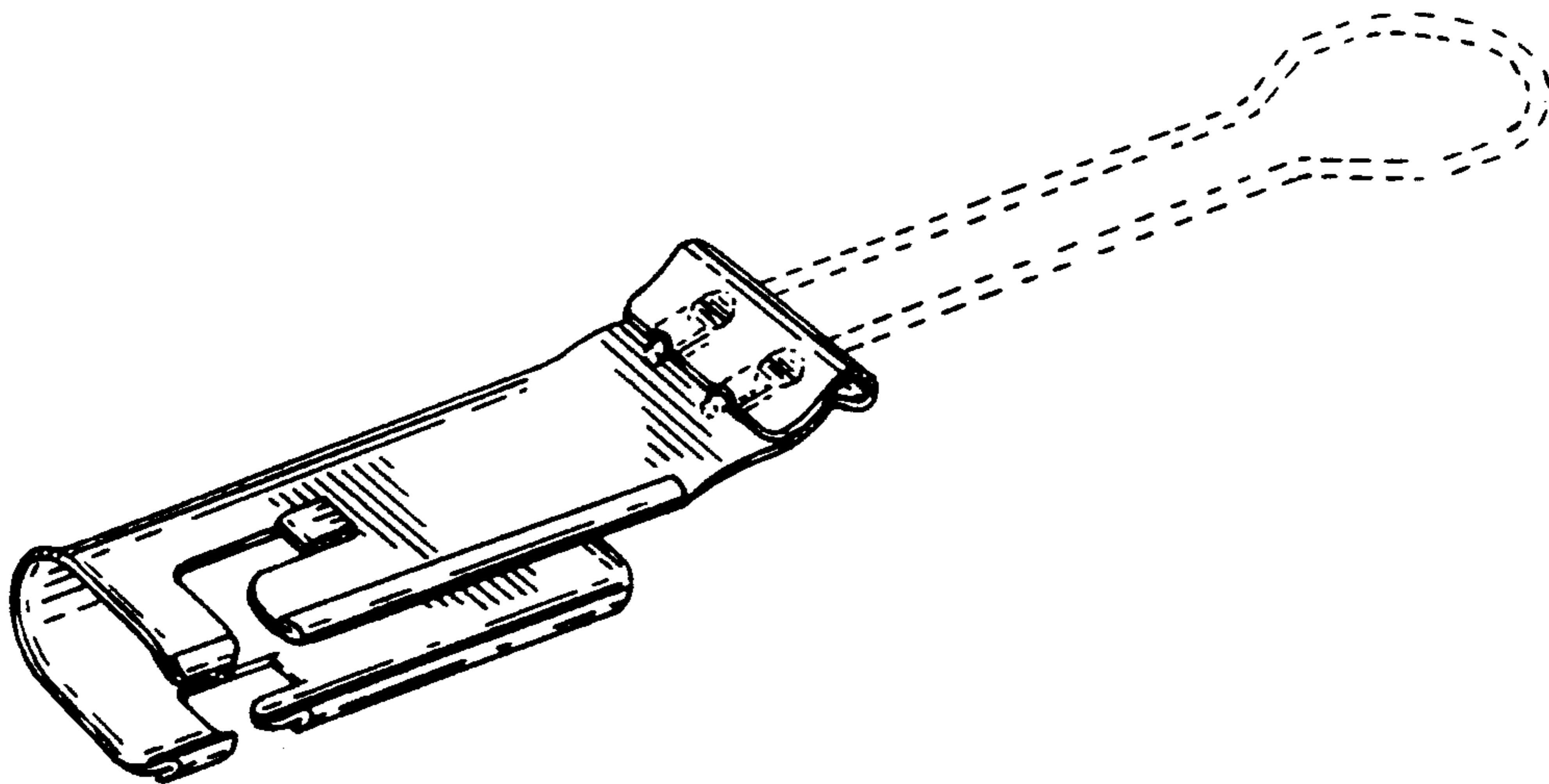
Primary Examiner—Wallace R. Burke
Assistant Examiner—H. Baynham
Attorney, Agent, or Firm—Longacre & White

[57] **CLAIM**

The ornamental design for a wire holder, as shown and described.

DESCRIPTION

FIG. 1 is a left end, top and front perspective view of a wire holder showing my new design; FIG. 2 is a front elevational view thereof; FIG. 3 is a rear elevational view thereof; FIG. 4 is a top plan view thereof; FIG. 5 is a bottom plan view thereof; FIG. 6 is a left end elevational view thereof; and, FIG. 7 is a right end elevational view thereof. The broken line showing of a wire hook is for illustrative purposes only and forms no part of the claimed design.



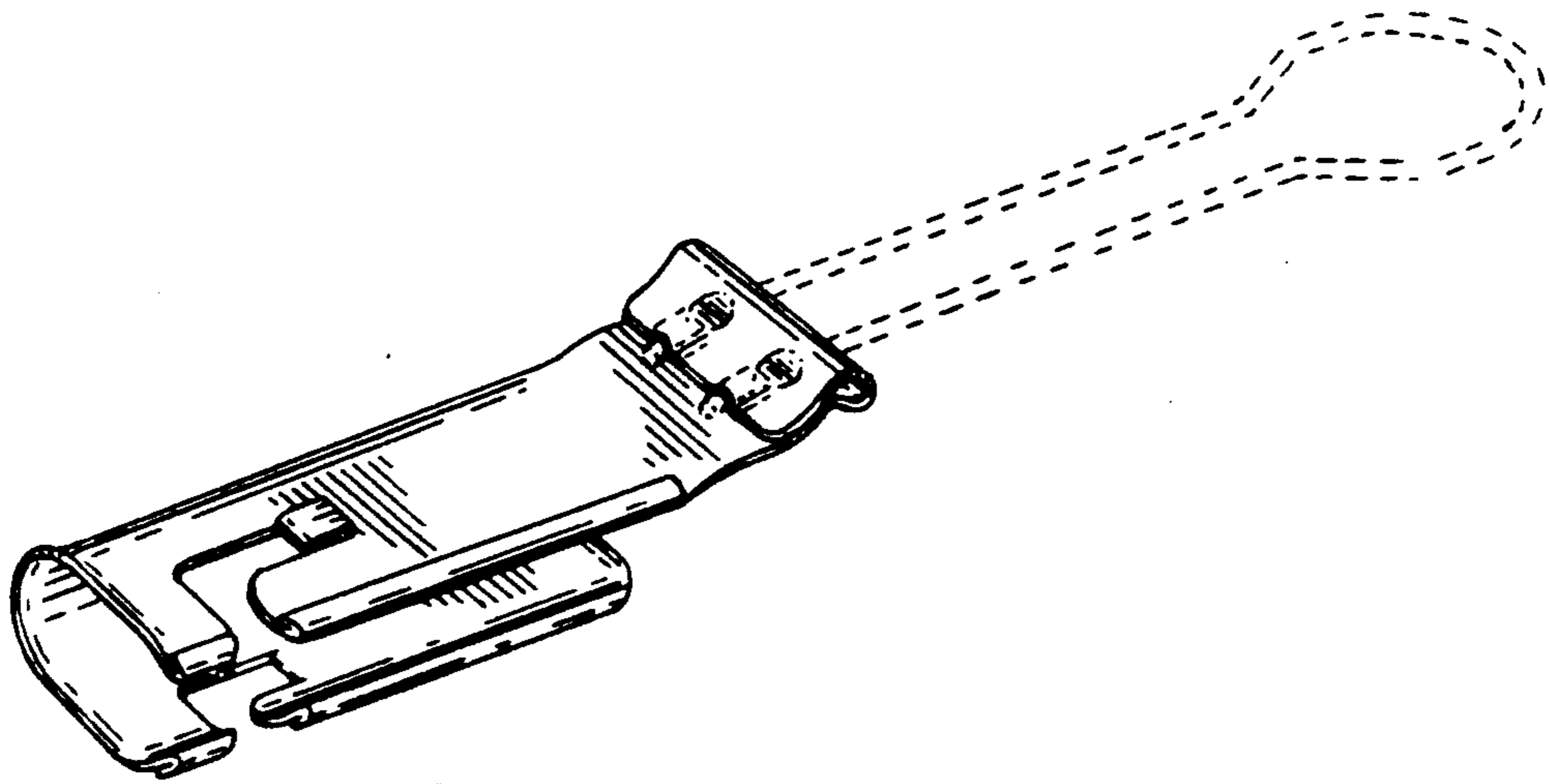


FIG. 1

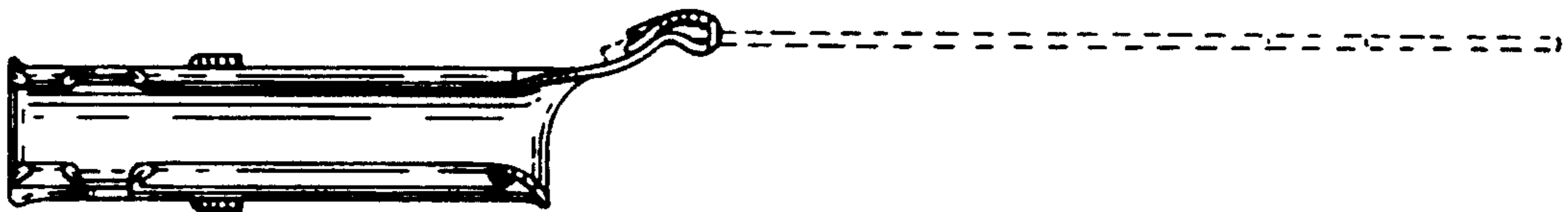


FIG. 2

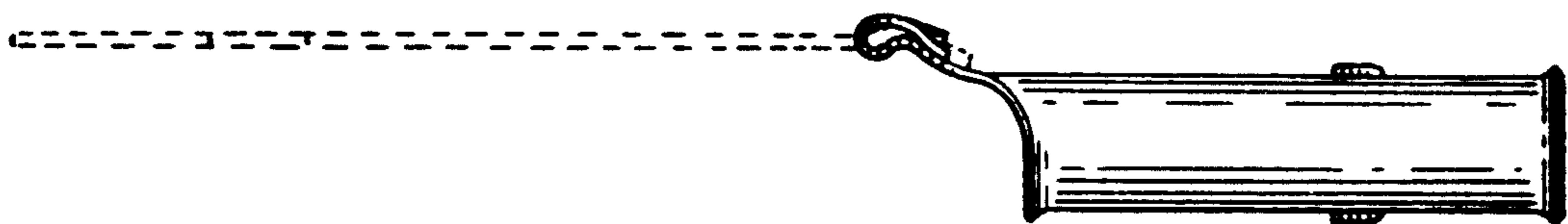


FIG. 3

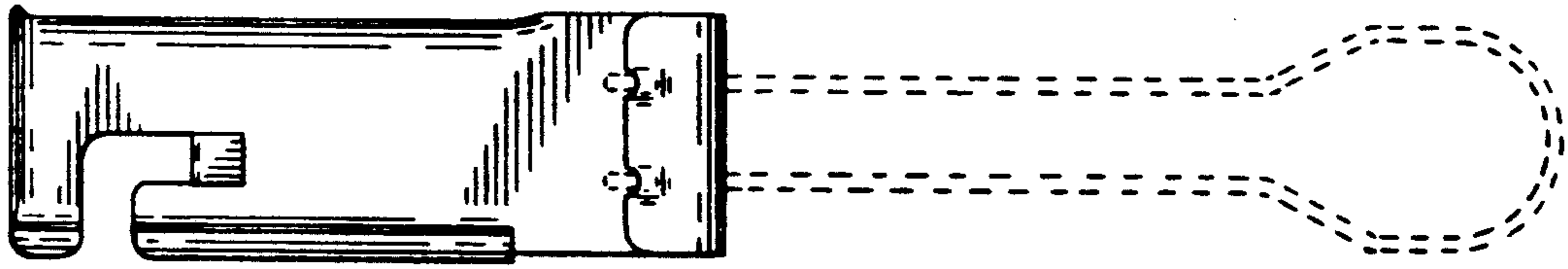


FIG. 4

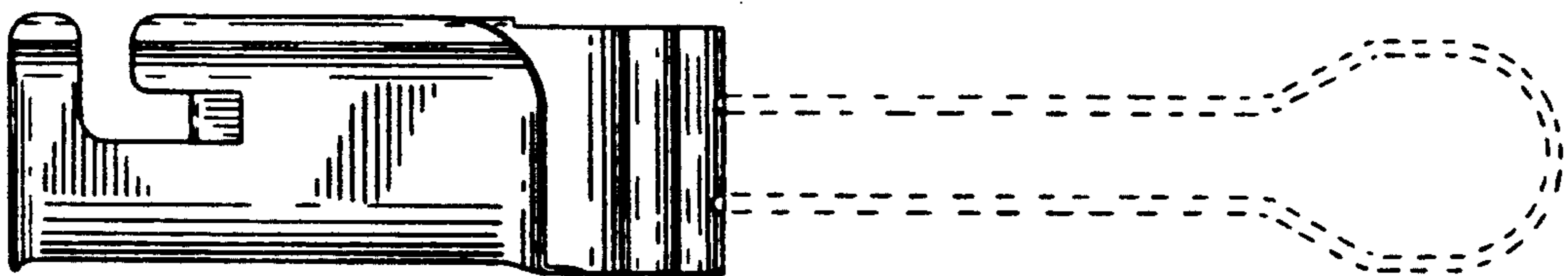


FIG. 5

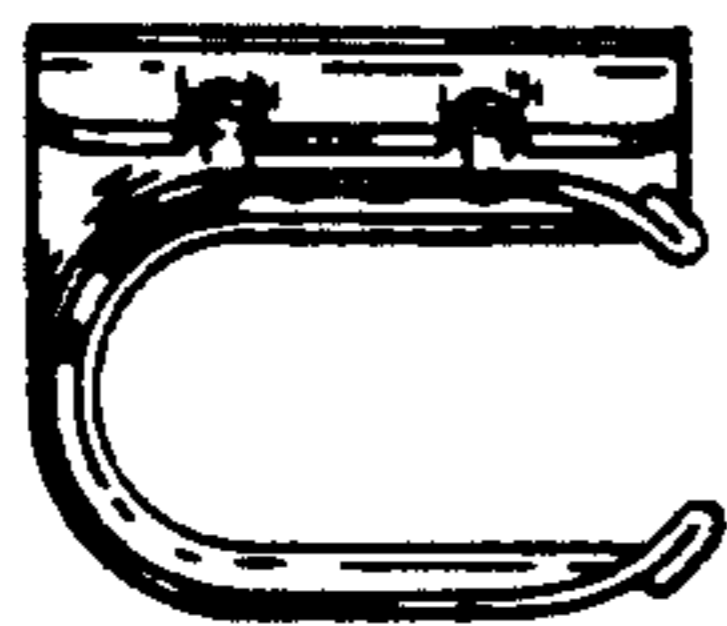


FIG. 6

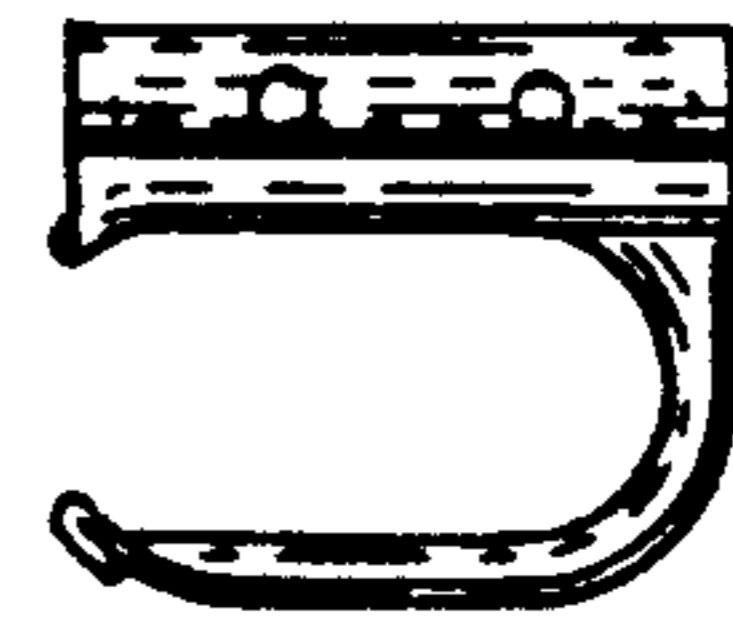


FIG. 7