



US00D342435S

# United States Patent [19]

Boyle

[11] Patent Number: Des. 342,435

[45] Date of Patent: \*\* Dec. 21, 1993

[54] BATHTUB HANDHOLD BAR UNIT

3,568,220 3/1971 Dees ..... 4/576.1  
4,162,544 7/1979 Freeman et al. .... 4/576.1

[76] Inventor: Albert P. Boyle, 1424 Darling St.,  
Ogden, Utah 84403

Primary Examiner—B. J. Bullock  
Attorney, Agent, or Firm—A. Ray Osburn

[\*\*] Term: 14 Years

[57] CLAIM

[21] Appl. No.: 924,543

The ornamental design for a bathtub handhold bar unit,  
as shown and described.

[22] Filed: Aug. 4, 1992

[52] U.S. Cl. .... D8/316; D6/548;  
D6/566; D6/569

### DESCRIPTION

[58] Field of Search ..... D8/315-320;  
4/576.1; 16/110 R, 111 R; 211/123, 106;  
D6/548

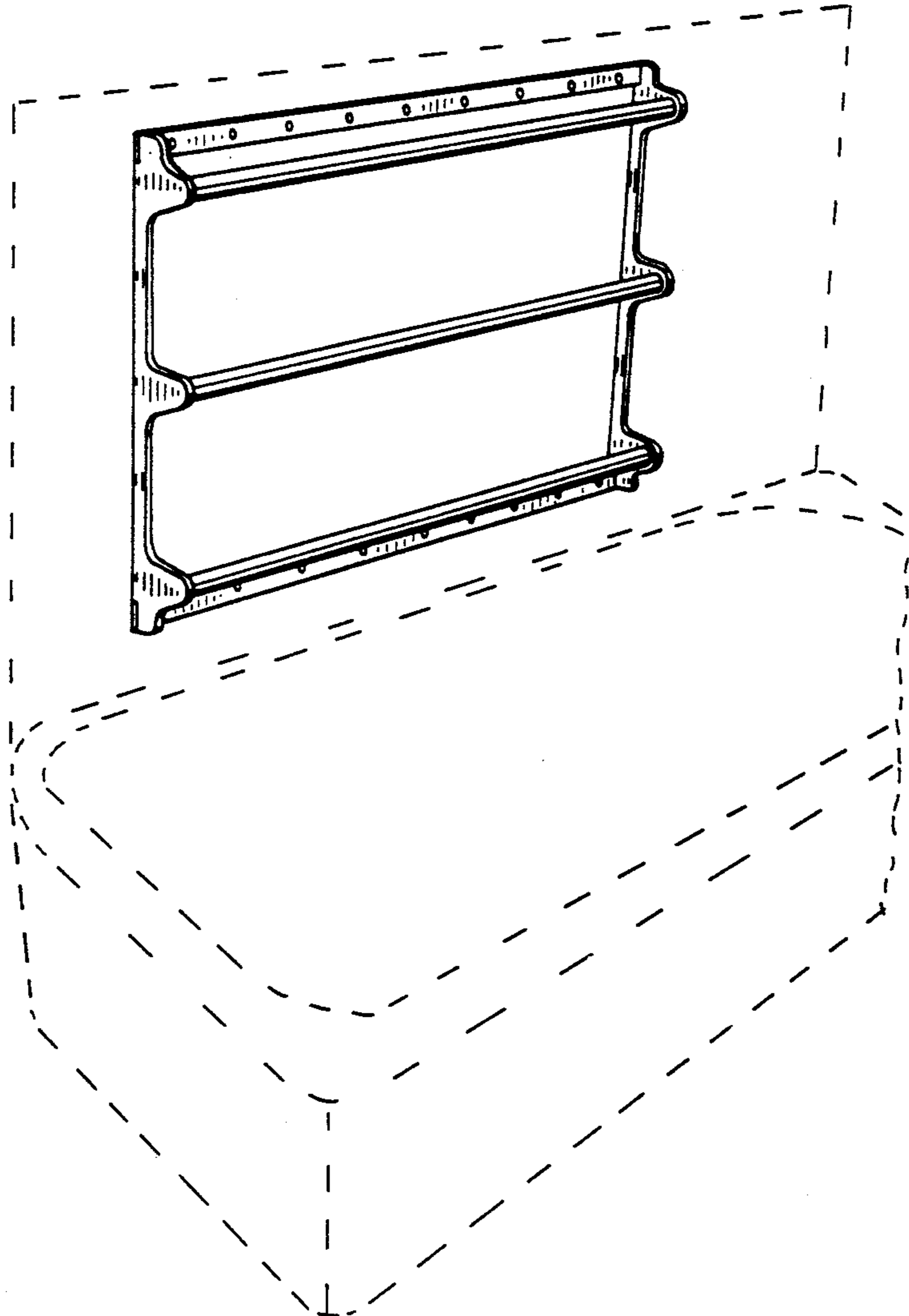
FIG. 1 is a left front perspective view of bathtub hand-  
hold bar unit showing my new design;  
FIG. 2 is a front elevational view thereof;  
FIG. 3 is a plan view thereof as seen from the top;  
FIG. 4 is a left side elevational view thereof;  
FIG. 5 is a plan view thereof as seen from the bottom;  
FIG. 6 is a right side elevational view thereof; and,  
FIG. 7 is a rear elevational view thereof.

### [56] References Cited

#### U.S. PATENT DOCUMENTS

D. 242,311 11/1976 Brown ..... D6/548  
D. 276,388 11/1984 Miller et al. .... D6/548  
1,145,471 7/1915 Dobrick ..... 16/111 R  
2,242,461 5/1941 Fisher ..... 4/576.1

The broken line showings of an associated bathtub and  
adjacent wall shown in FIG. 1 are for illustrative pur-  
poses only and form no part of the claimed design.



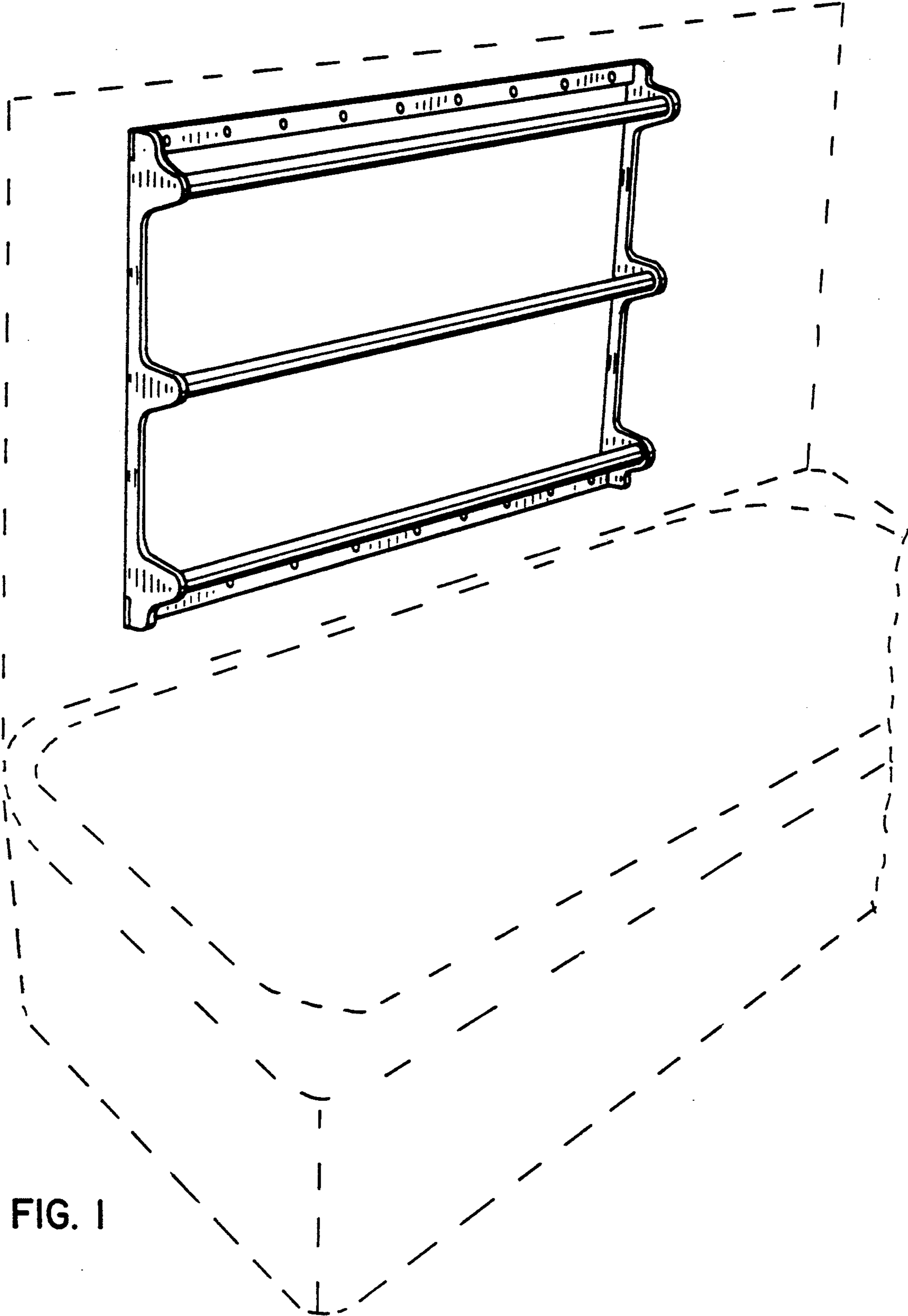


FIG. 1



FIG. 3

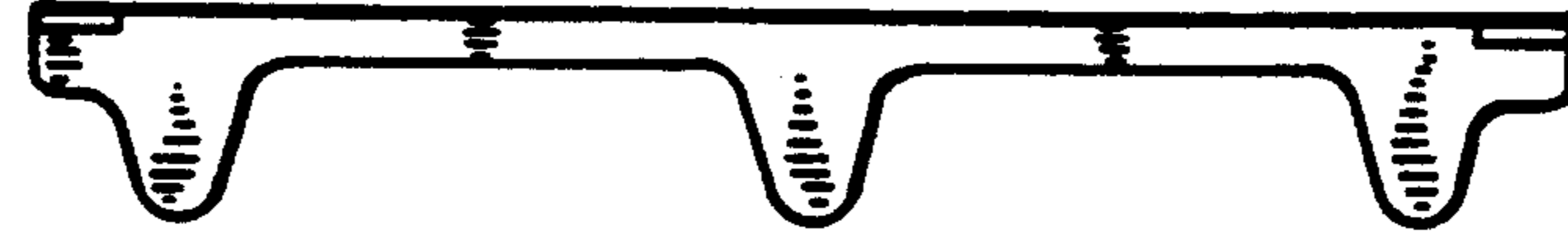


FIG. 6

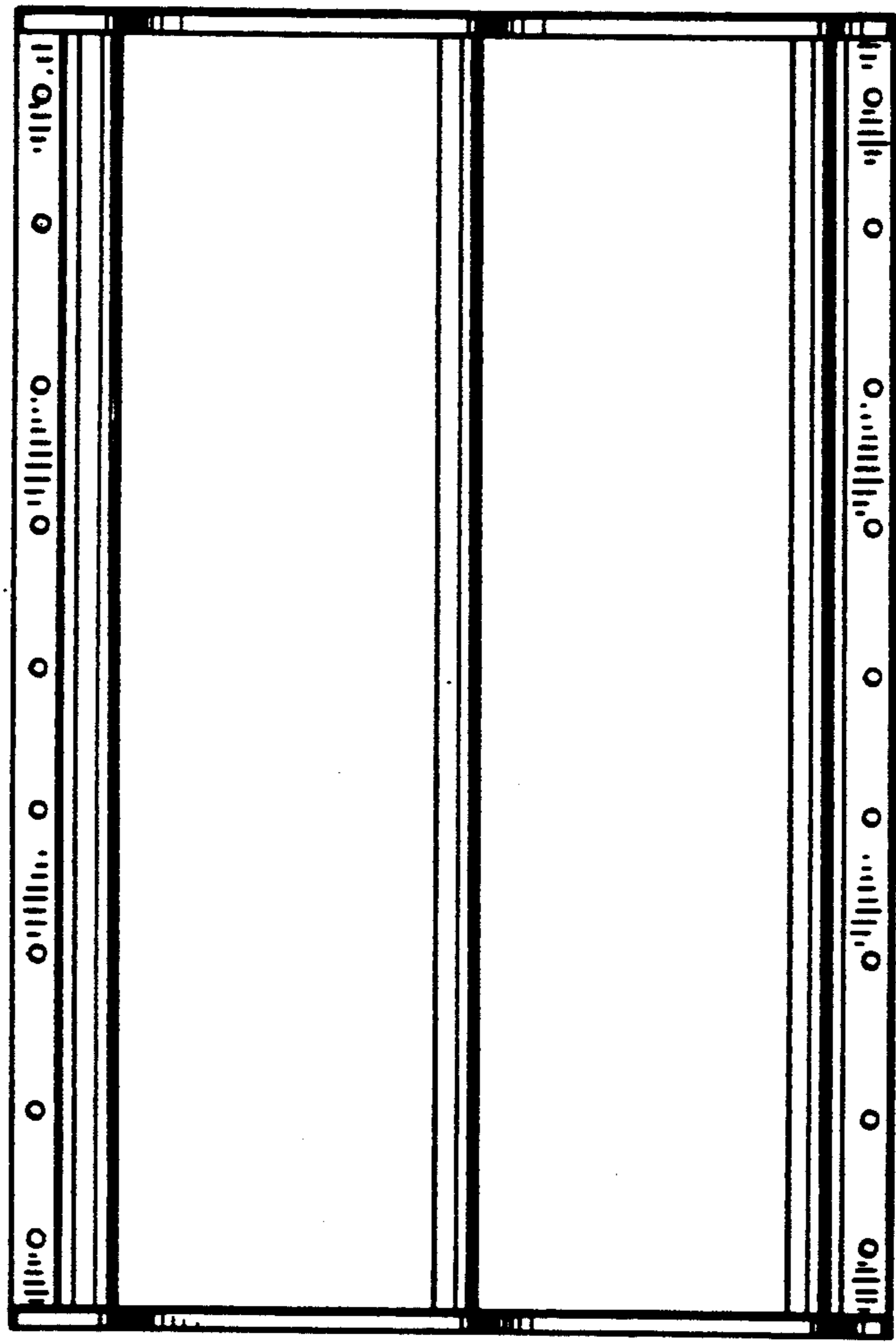


FIG. 2



FIG. 5

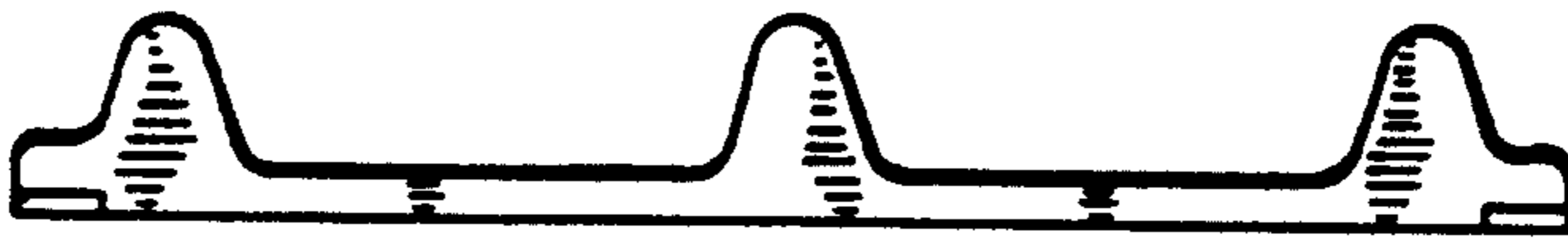


FIG. 4

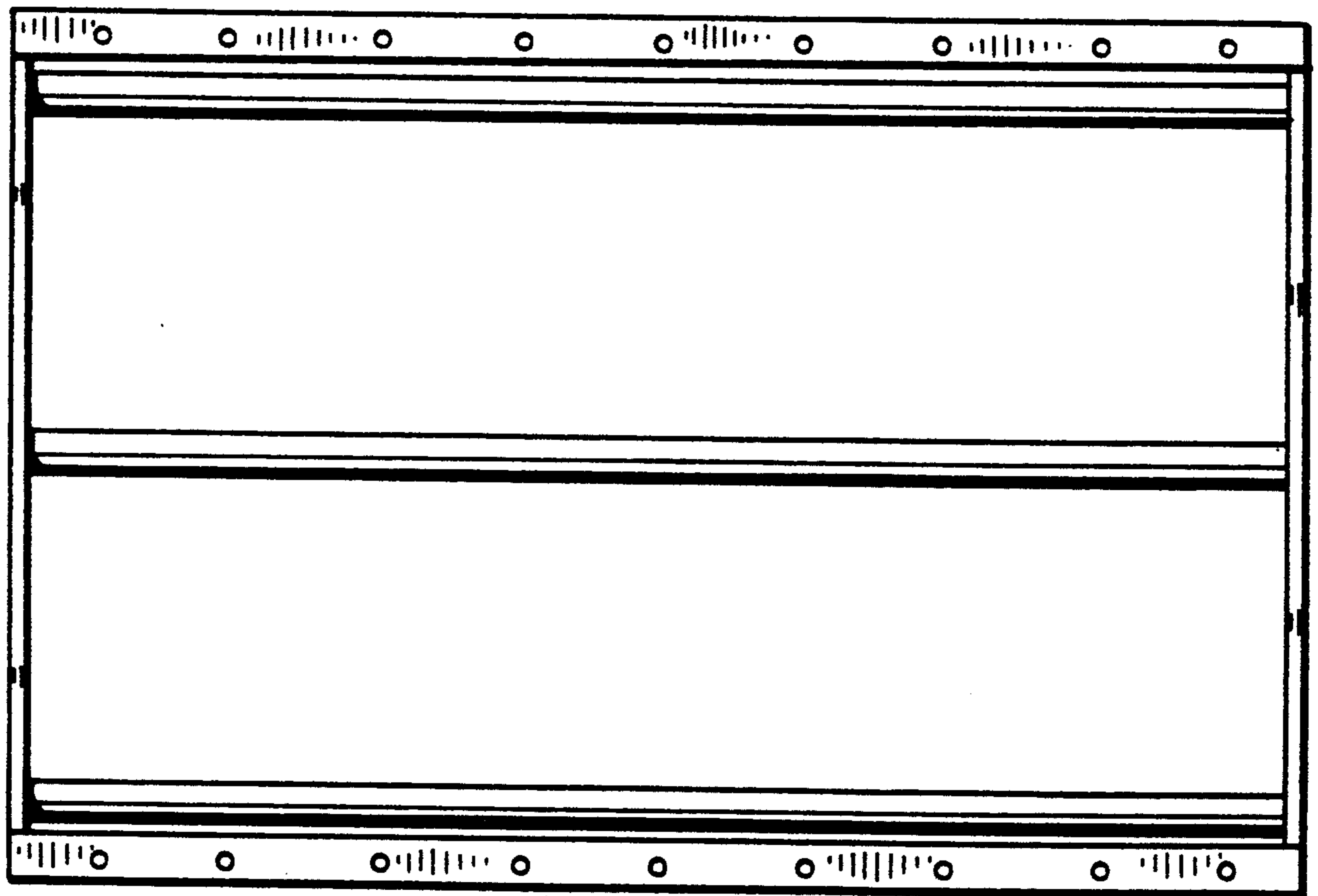


FIG. 7