



US00D342434S

# United States Patent [19]

[11] Patent Number: **Des. 342,434**

Glynn

[45] Date of Patent: **\*\* Dec. 21, 1993**

[54] **SIGN HOLDER CLAMP WITH OFFSET APERTURES**

3,425,681	2/1969	Wing	269/249
4,836,517	6/1989	Vossler	269/41
4,903,929	2/1990	Hoffman	D8/73 X

[75] Inventor: **John J. Glynn, Plymouth, Minn.**

[73] Assignee: **Glynn Company, Inc., Minnetonka, Minn.**

*Primary Examiner*—Alan P. Douglas

*Assistant Examiner*—J. H. Musgrove

*Attorney, Agent, or Firm*—Palmatier, Sjoquist & Helget

[\*\*] Term: **14 Years**

[57] **CLAIM**

[21] Appl. No.: **932,359**

The ornamental design for a sign holder clamp with offset apertures, as shown and described.

[22] Filed: **Aug. 19, 1992**

[52] U.S. Cl. .... **D8/73**

**DESCRIPTION**

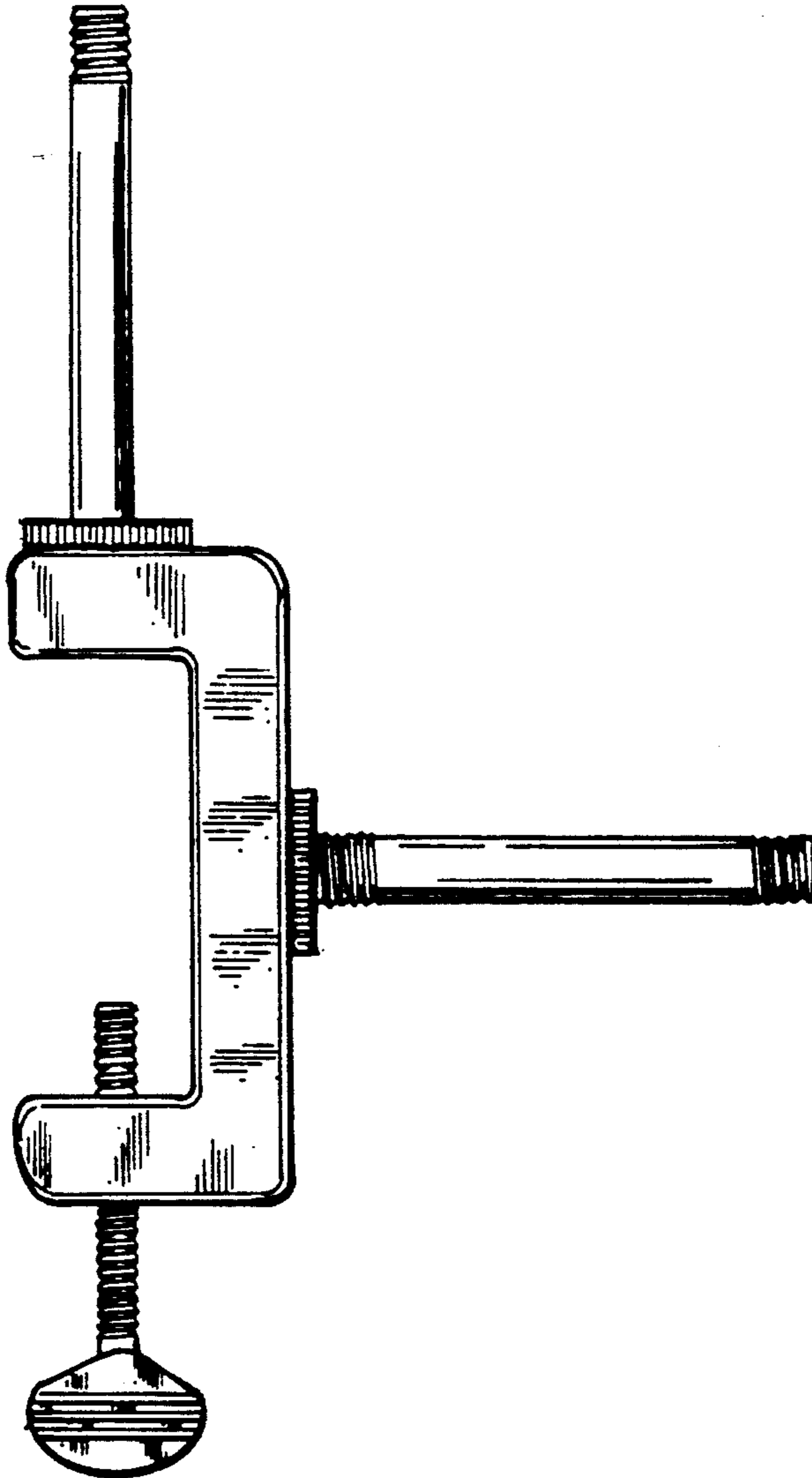
[58] Field of Search ..... **D8/72, 73, 74; 269/41, 269/97, 98, 152-155, 249**

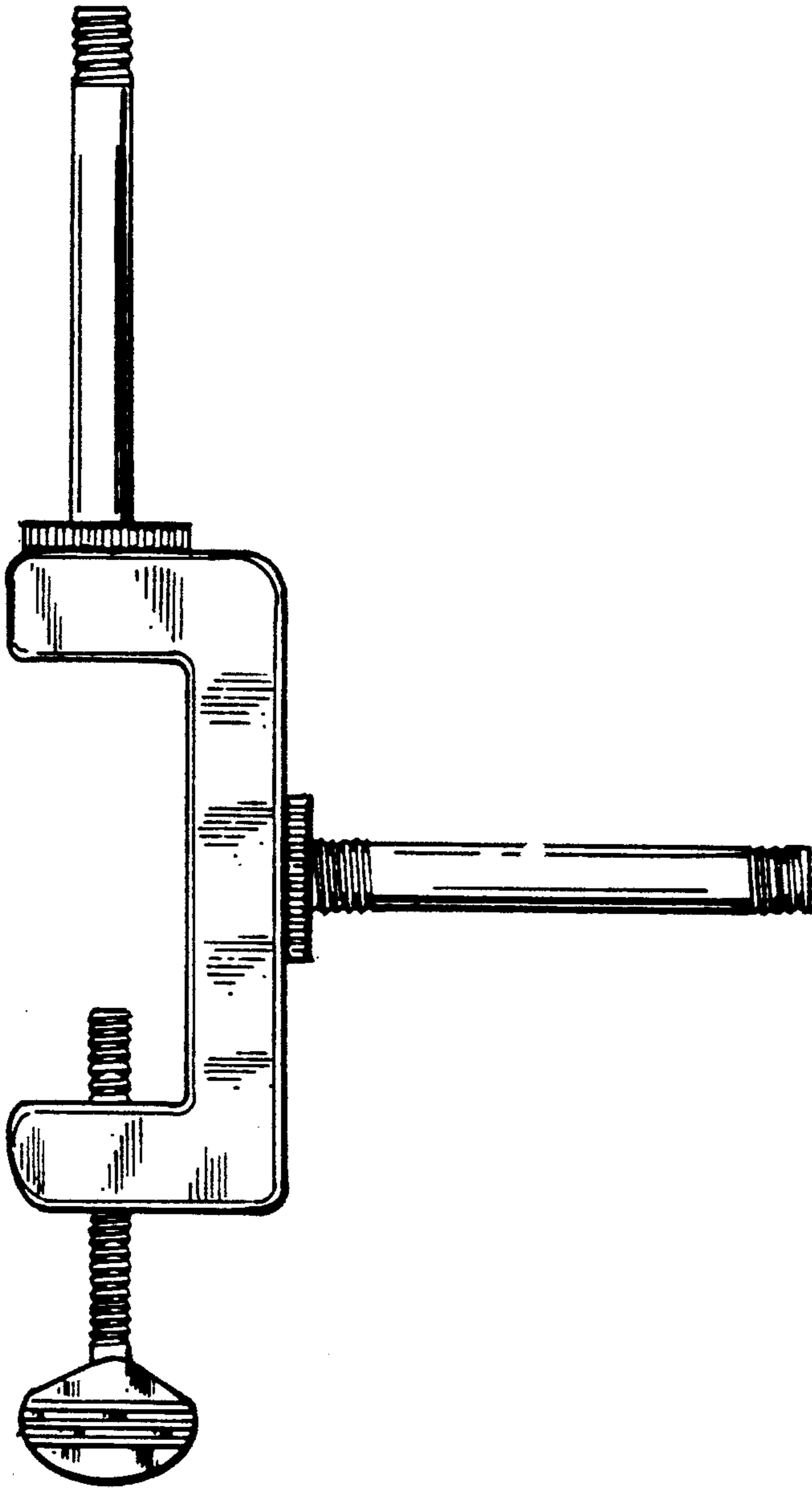
FIG. 1 is a front elevational view of the invention which is a mirror image of the rear elevational view; FIG. 2 is a right side elevational view of the invention; FIG. 3 is a top plan view of the invention; FIG. 4 is a left side elevational view of the invention; and, FIG. 5 is a bottom plan view of the invention.

[56] **References Cited**

**U.S. PATENT DOCUMENTS**

2,579,995	12/1951	Atchison	269/249
3,166,307	1/1965	Sego	269/155

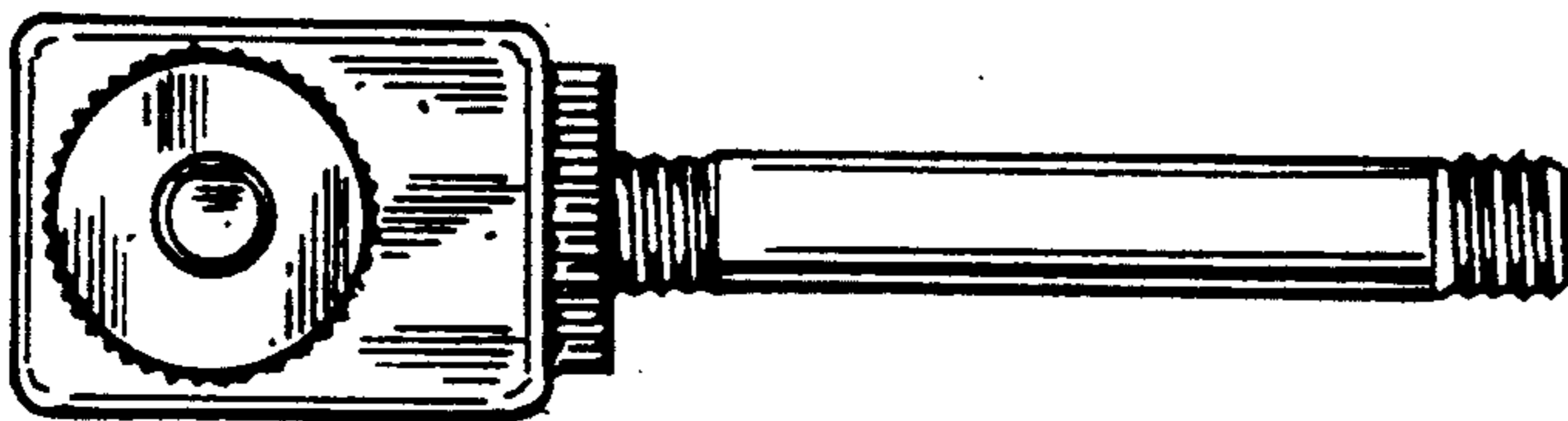




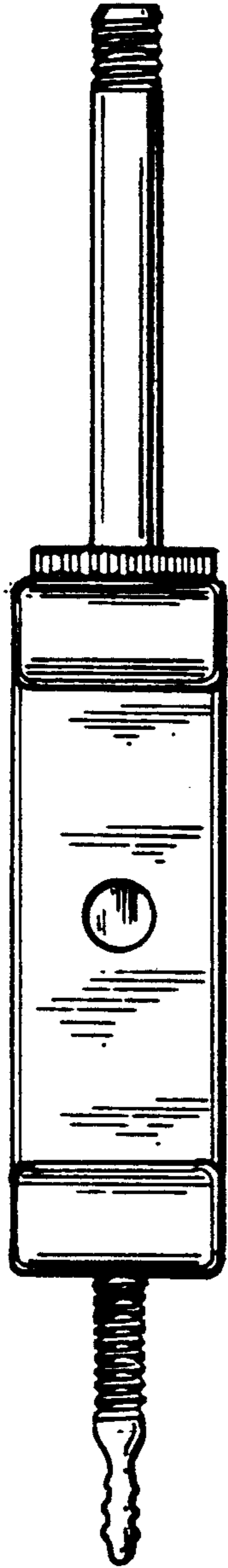
*Fig. 1.*



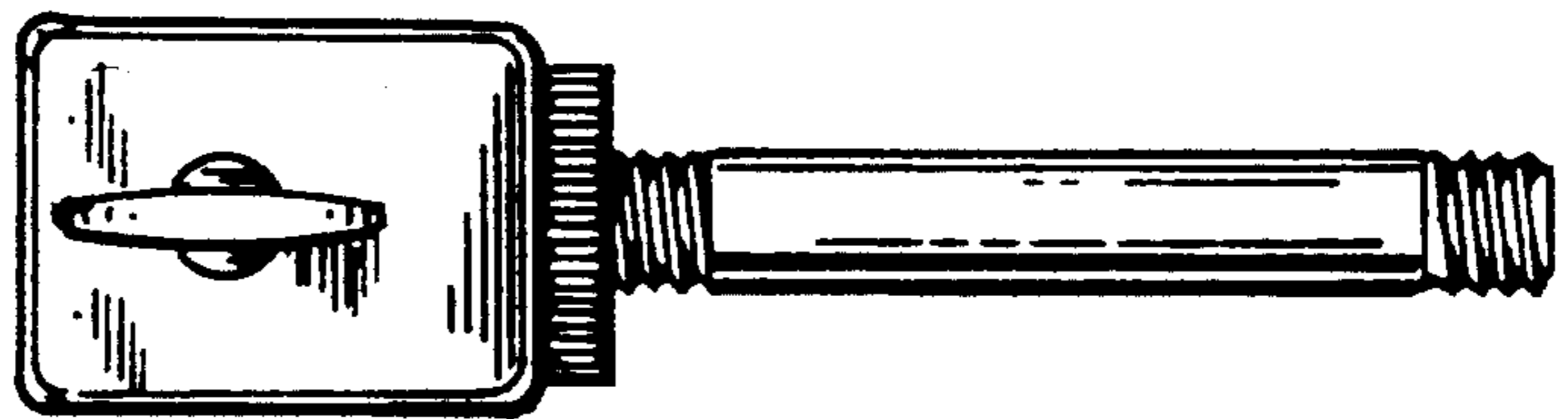
*Fig. 2.*



*Fig. 3.*



*Fig. 4.*



*Fig. 5.*