



US00D342432S

# United States Patent [19]

[11] Patent Number: Des. 342,432

Sadoway

[45] Date of Patent: \*\* Dec. 21, 1993

[54] COLLET AND TOOL HOLDER TRAY

[57] CLAIM

[76] Inventor: **Richard M. Sadoway**, 4512-3 Pontiac Lake Rd., Waterford, Mich. 48328

The ornamental design of a collet and tool holder tray, substantially as shown and described.

[\*\*] Term: **14 Years**

### DESCRIPTION

[21] Appl. No.: **893,355**

FIG. 1 is a top plan view of a collet and tool holder tray in accord with my new design of a configuration for mounting upon a machine tool column;

[22] Filed: **Jun. 5, 1992**

FIG. 2 is a bottom view of the tray of FIG. 1;

[52] U.S. Cl. .... **D8/71**

FIG. 3 is a front elevational view of my new design as taken from the bottom of FIG. 1;

[58] Field of Search ..... **D8/71; D6/396, 416-418, D6/466, 467, 475; D24/227, 229, 230; 211/70.6, 69, 60.1, 89, 13, 74**

FIG. 4 is a rear elevational view as taken from the top of FIG. 1;

FIG. 5 is a side elevational view as taken from the right of FIG. 1;

### [56] References Cited

#### U.S. PATENT DOCUMENTS

D. 294,209	2/1988	Havelka	.....	D8/71
D. 294,548	3/1988	Wallace	.....	D8/71
D. 297,111	8/1988	Thompson et al.	.....	D8/71
D. 320,730	10/1991	Ediger et al.	.....	D8/71
D. 333,769	3/1993	Jureckson	.....	D8/71
D. 333,770	3/1993	Jureckson	.....	D8/71

FIG. 6 is a side elevational view of my new design as taken from the left of FIG. 1;

FIG. 7 is a top plan view of another embodiment of my collet and tool holder tray design for mounting upon a flat surface;

FIG. 8 is a bottom view of the tray design of FIG. 7;

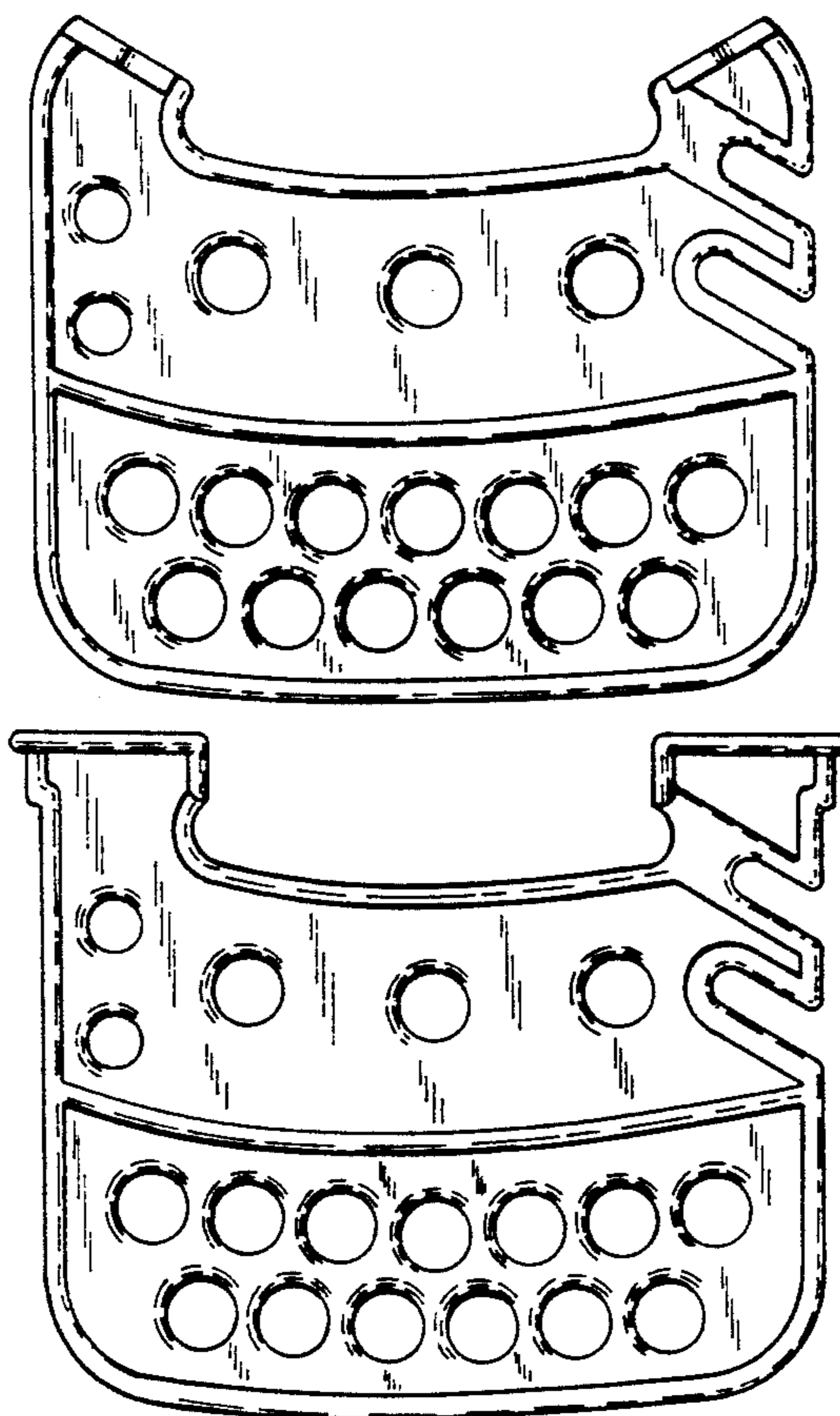
FIG. 9 is a front elevational view as taken from the bottom of FIG. 7;

FIG. 10 is a rear elevational view as taken from the top of FIG. 7;

FIG. 11 is a side elevational view as taken from the right of FIG. 7; and,

FIG. 12 is a side elevational view of my new design as taken from the left of FIG. 7.

*Primary Examiner*—Alan P. Douglas  
*Assistant Examiner*—Jeffrey H. Musgrove  
*Attorney, Agent, or Firm*—Beaman & Beaman



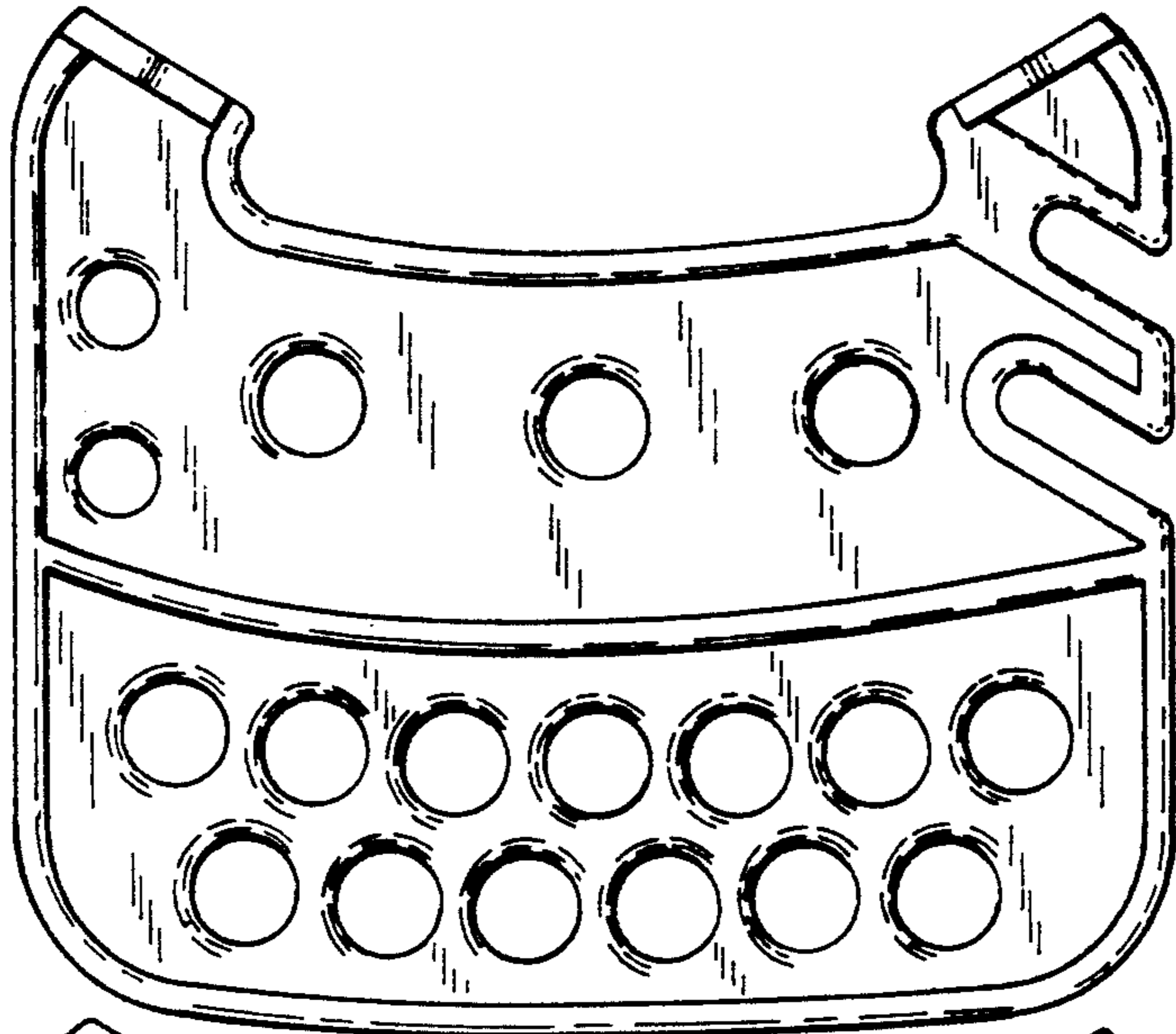


FIG-1

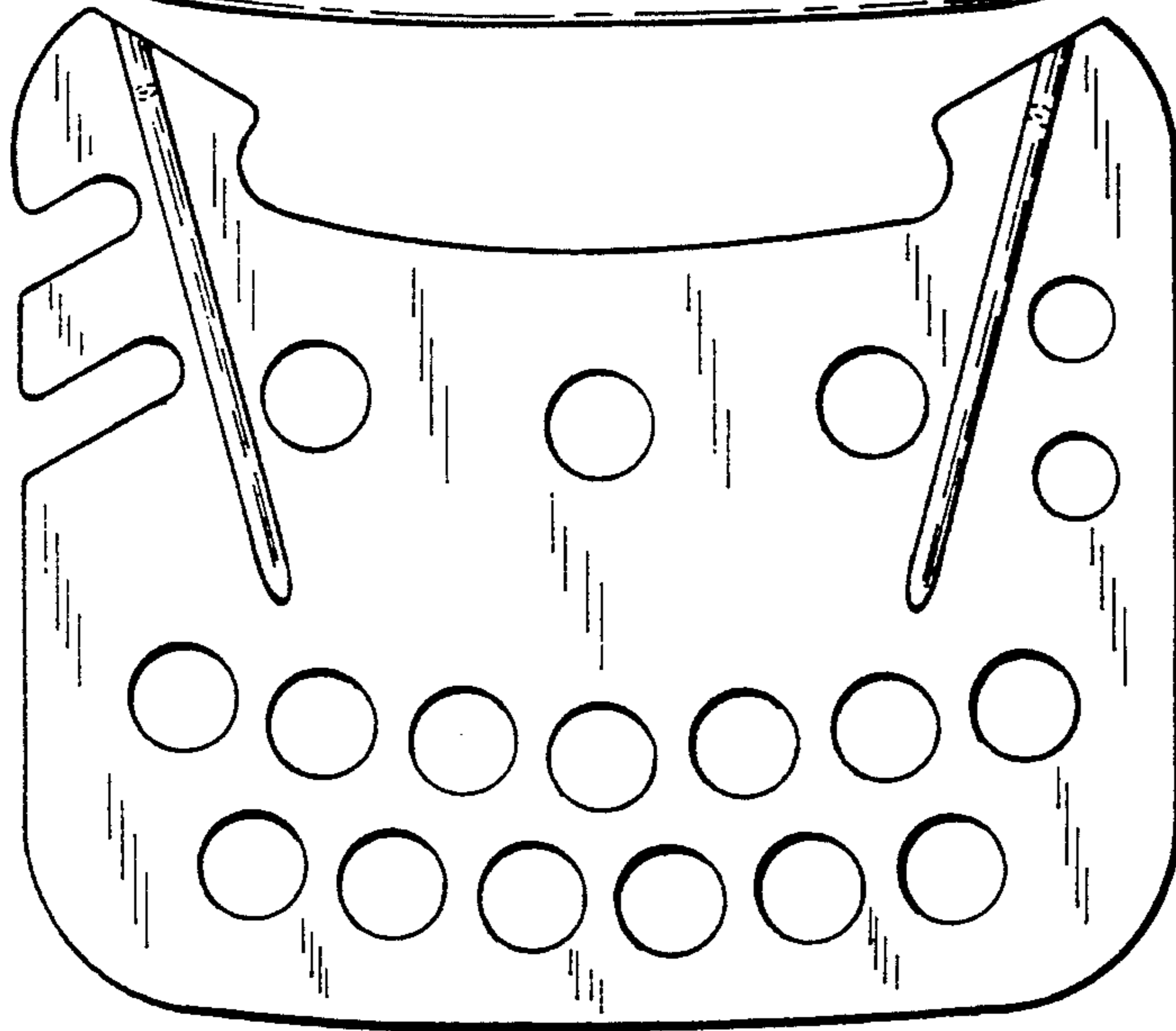


FIG-2

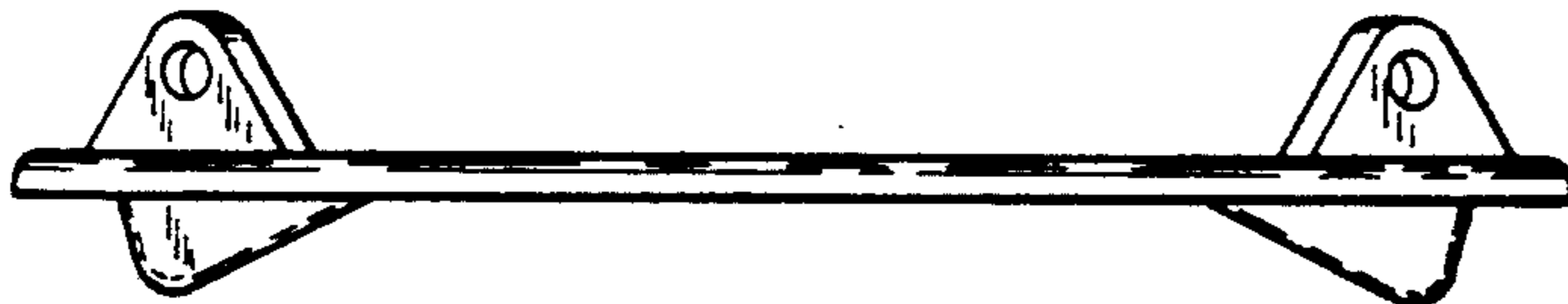


FIG-3

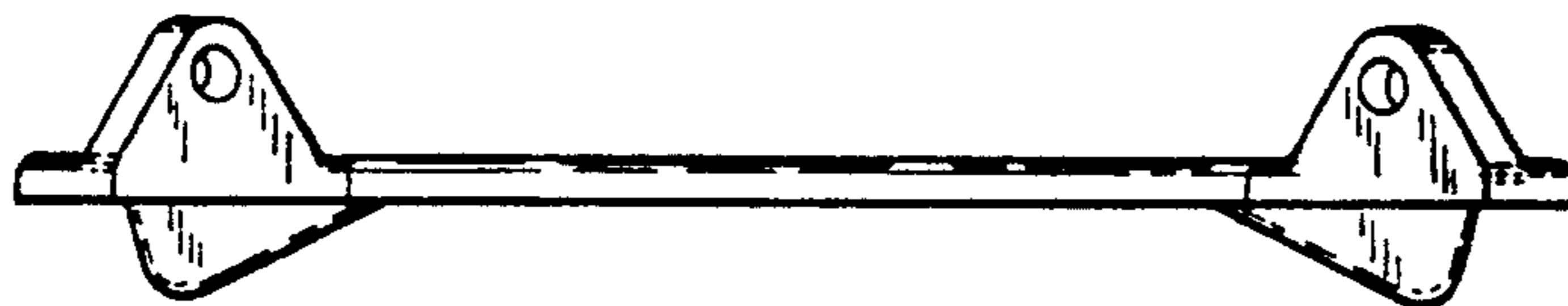


FIG-4



FIG-5



FIG-6

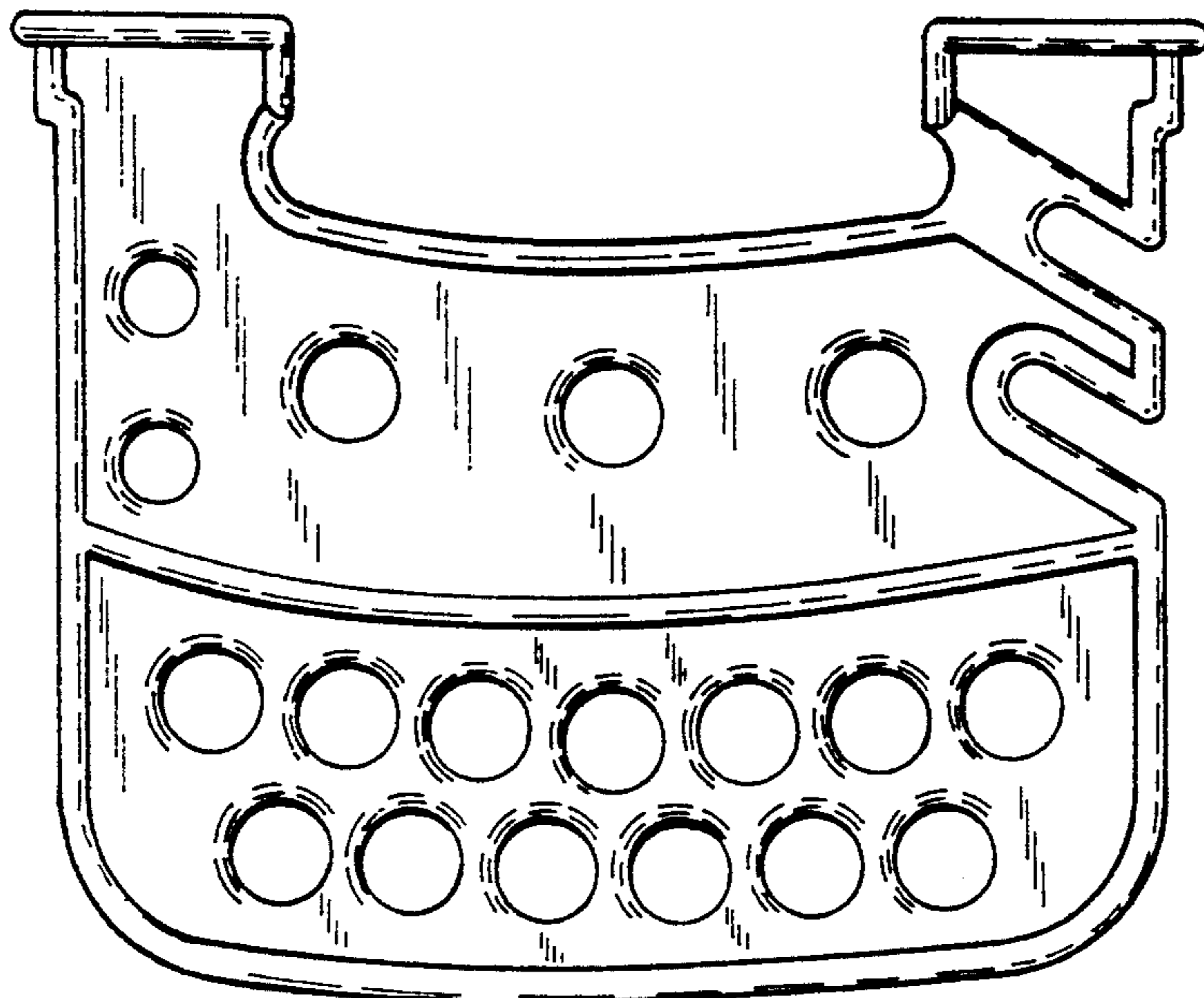


FIG-7

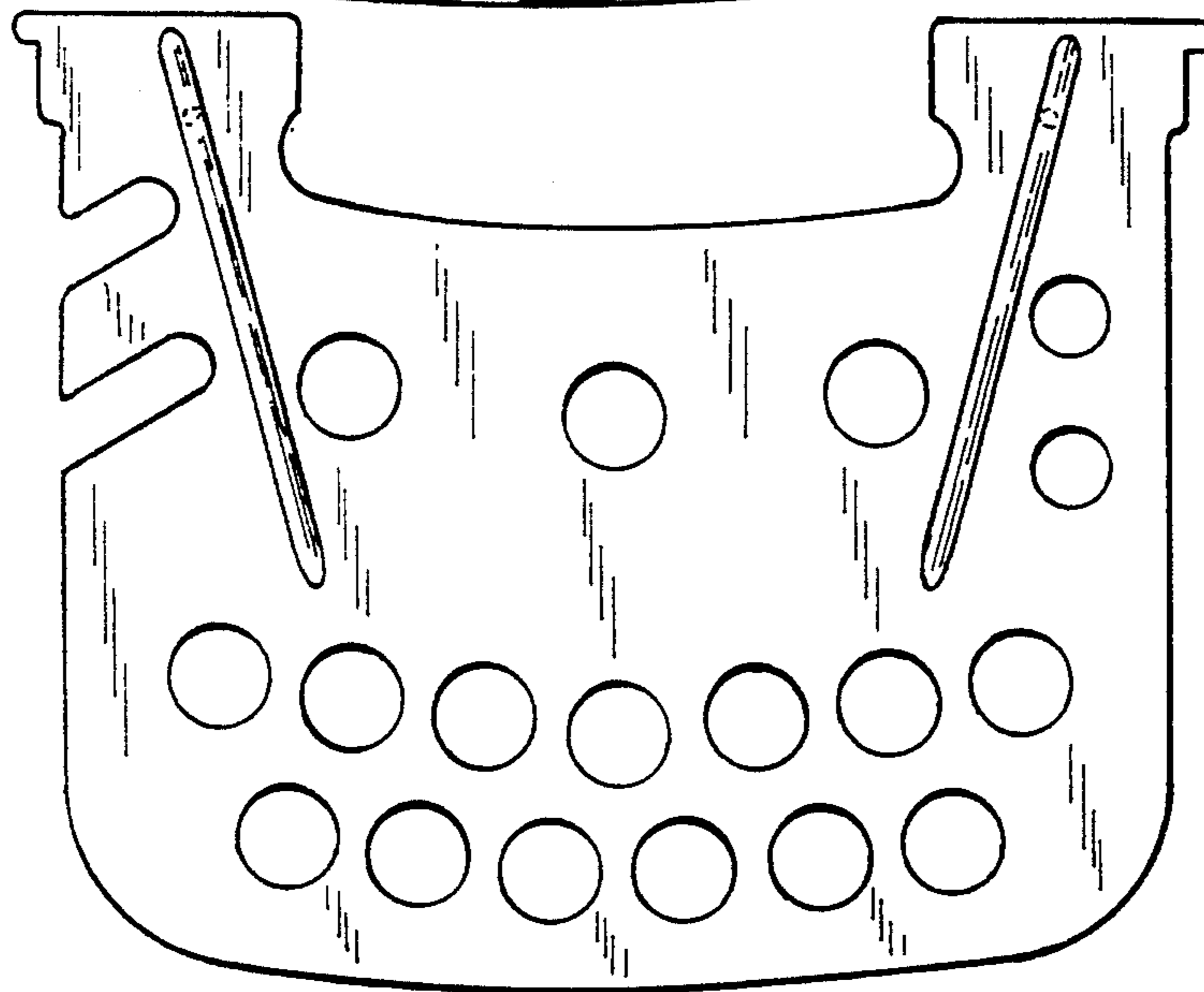


FIG-8

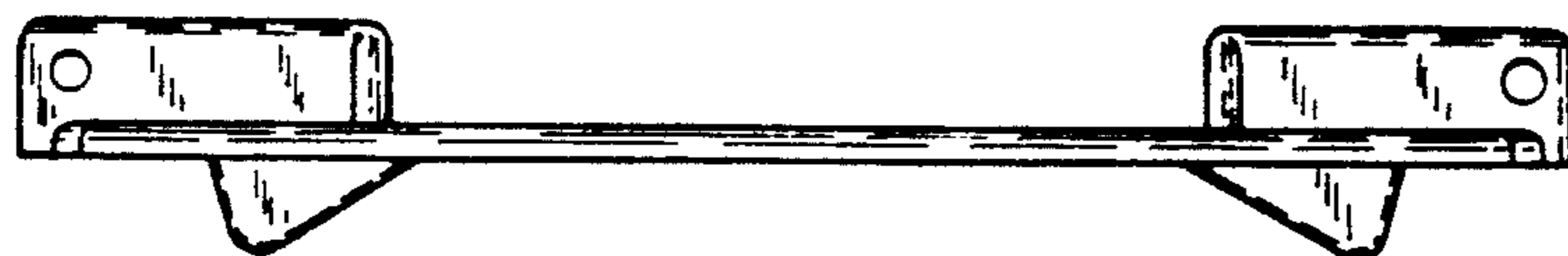


FIG-9

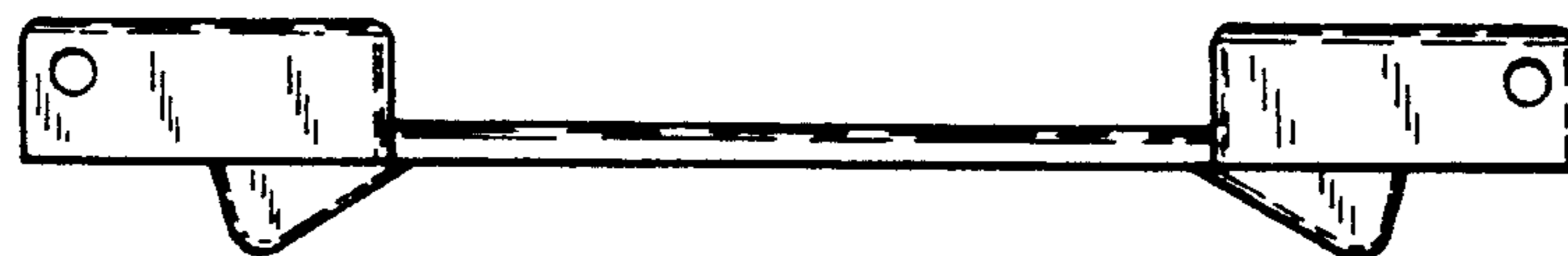


FIG-10



FIG-11

FIG-12