



US00D342431S

United States Patent [19]

Swigonski

[11] Patent Number: **Des. 342,431**

[45] Date of Patent: **** Dec. 21, 1993**

[54] **DEVICE FOR ADAPTING A SANDER TO BE A VACUUM**

[76] Inventor: **Leon Swigonski**, 7709 10th Ave., Brooklyn, N.Y. 11228

[**] Term: **14 Years**

[21] Appl. No.: **881,565**

[22] Filed: **May 14, 1992**

[52] U.S. Cl. **D8/70**

[58] Field of Search **D8/61, 70; 51/170 R, 51/273, 170 MT**

4,905,420 3/1990 Flachenecker et al. 51/170 R
4,937,984 7/1990 Taranto 51/392
4,967,516 11/1990 Hoshino 51/170 R

Primary Examiner—Alan P. Douglas
Assistant Examiner—Jeffry H. Musgrove
Attorney, Agent, or Firm—Terry M. Gernstein

[57] CLAIM

The ornamental design for a device for adapting a sander to be a vacuum, as shown and described.

DESCRIPTION

FIG. 1 is a perspective view of the device for adapting a sander to be a vacuum embodying the design of the present invention;

FIG. 2 is a front end elevational view thereof;

FIG. 3 is a rear end elevational view thereof;

FIG. 4 is a side elevational view thereof;

FIG. 5 is a side elevational view thereof;

FIG. 6 is a top plan view thereof; and,

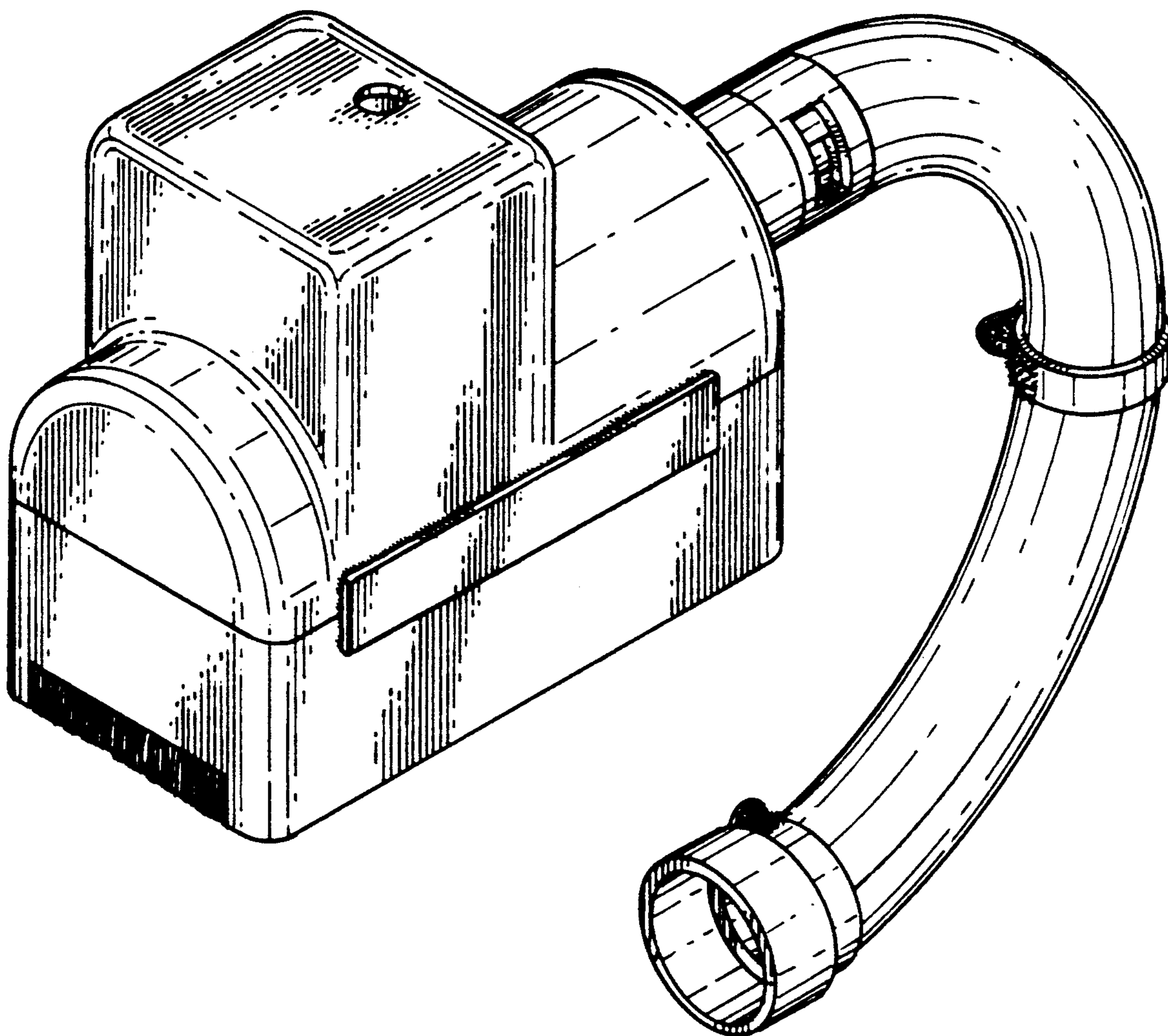
FIG. 7 is a bottom view thereof.

[56]

References Cited

U.S. PATENT DOCUMENTS

4,062,152	12/1977	Mehrer	51/170 R
4,102,083	7/1978	Stern	51/170 R
4,184,291	1/1980	Marton	51/170 R
4,616,449	10/1986	Marton	51/170 R
4,680,895	7/1987	Roestenberg	51/170 R
4,766,701	8/1988	Roestenberg	51/170 R



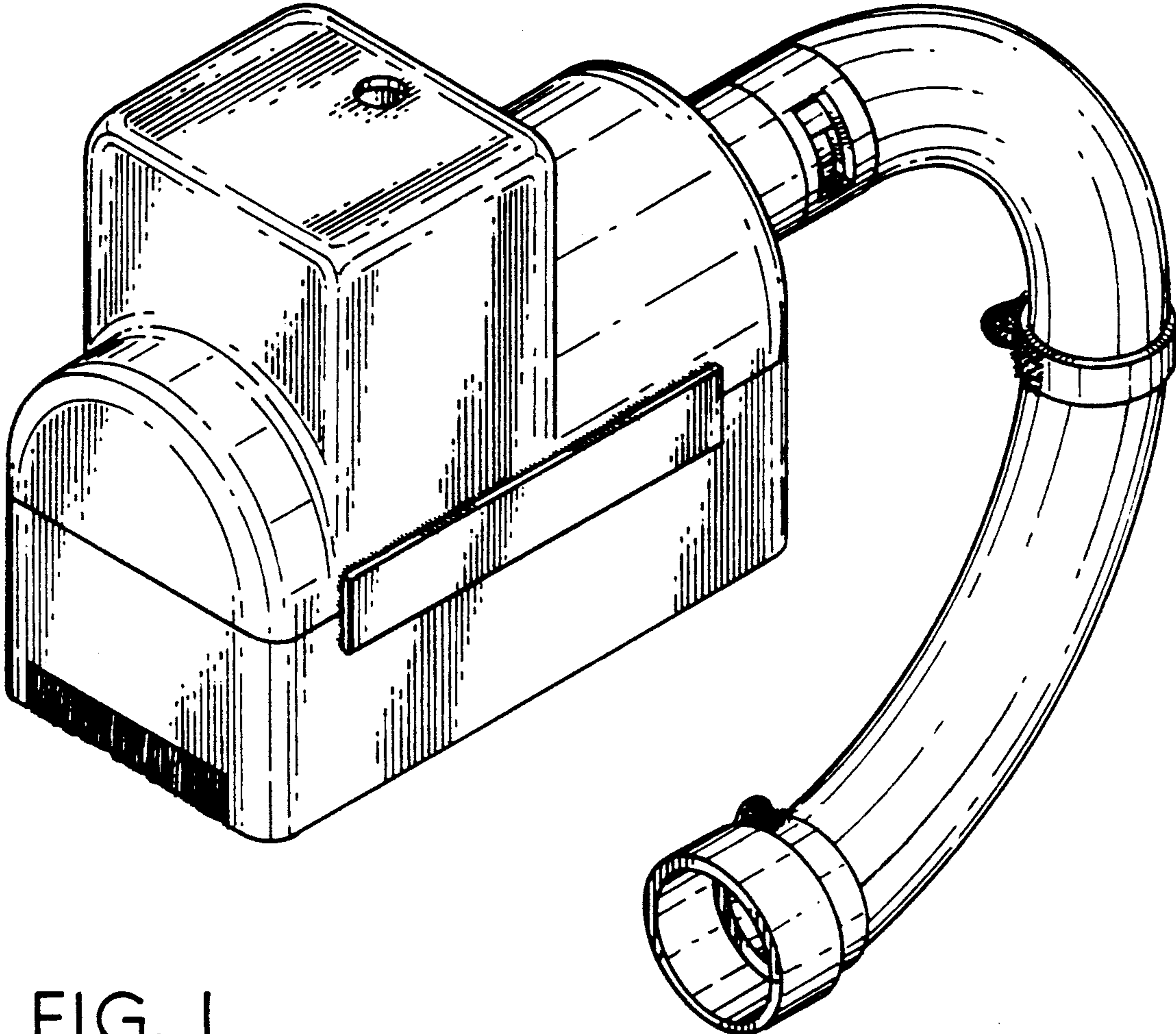


FIG. 1

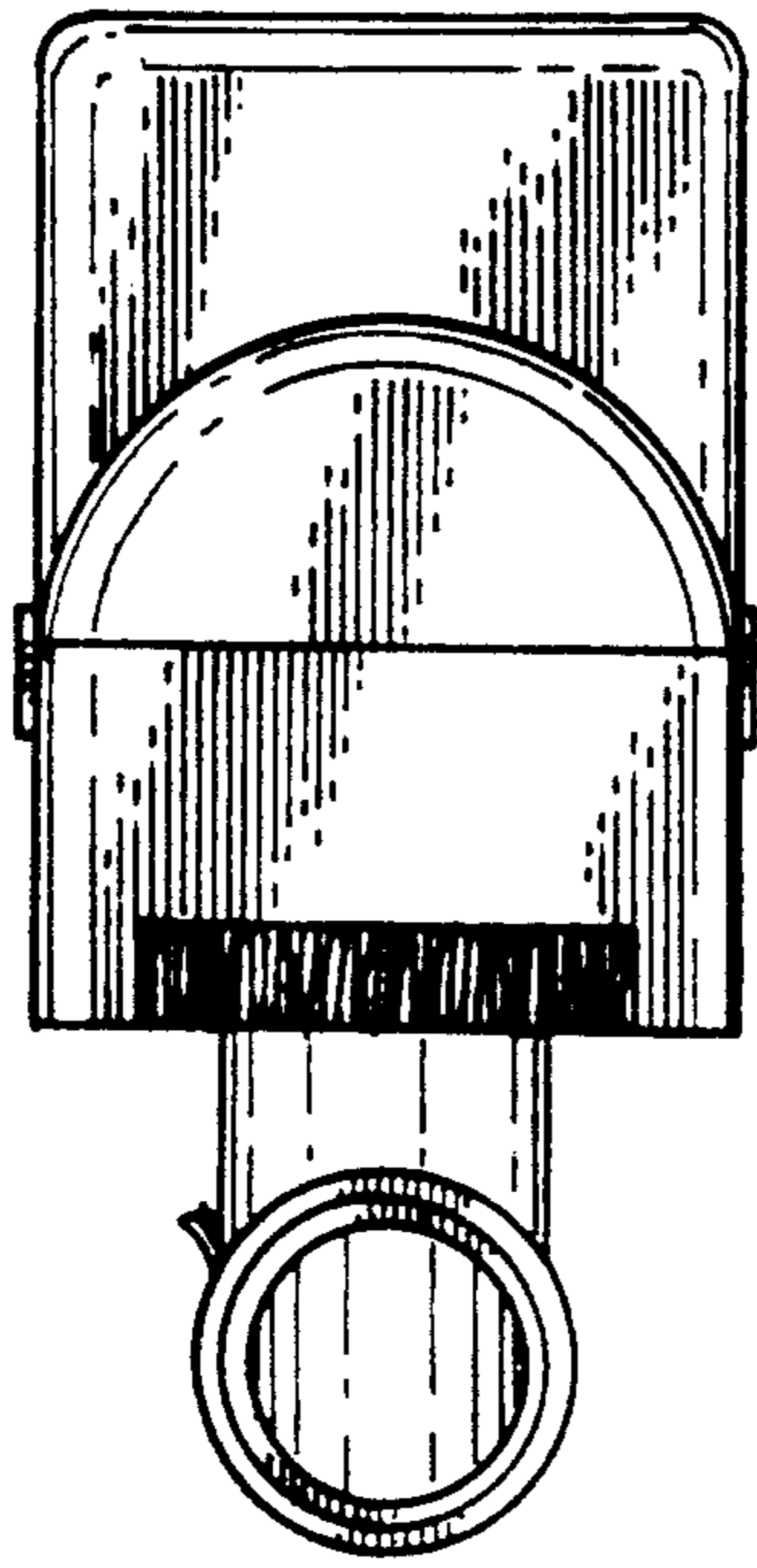


FIG. 2

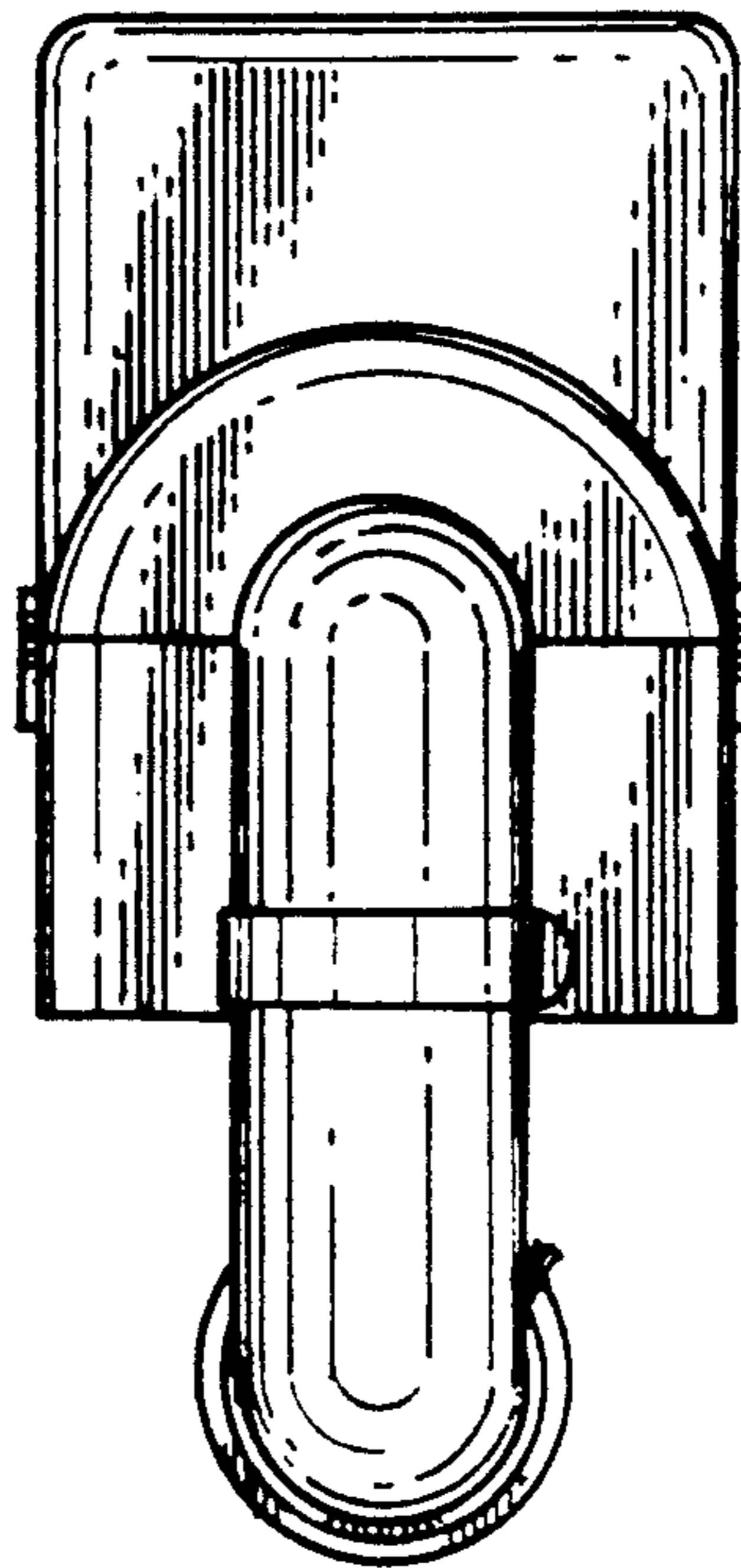


FIG. 3

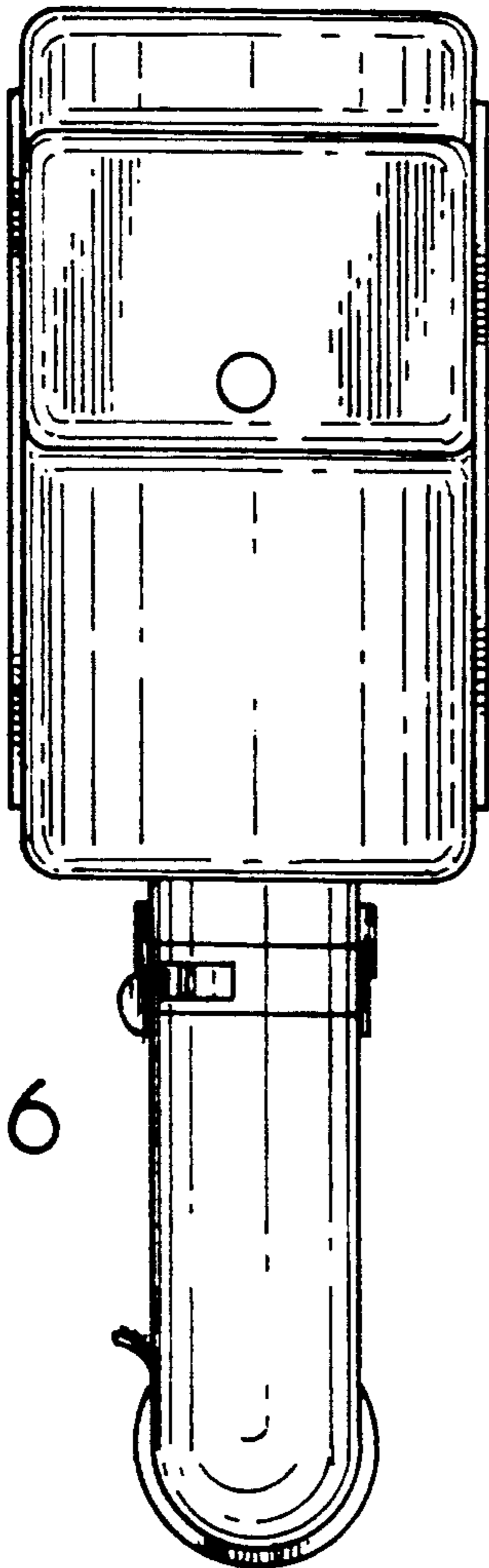


FIG. 6

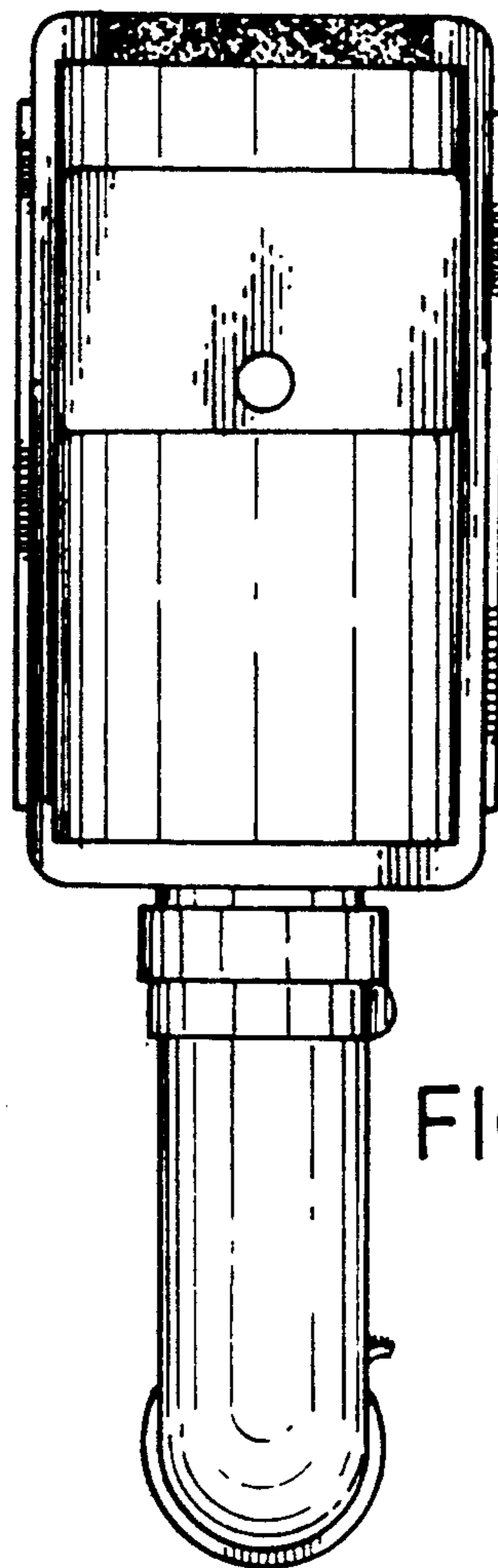


FIG. 7

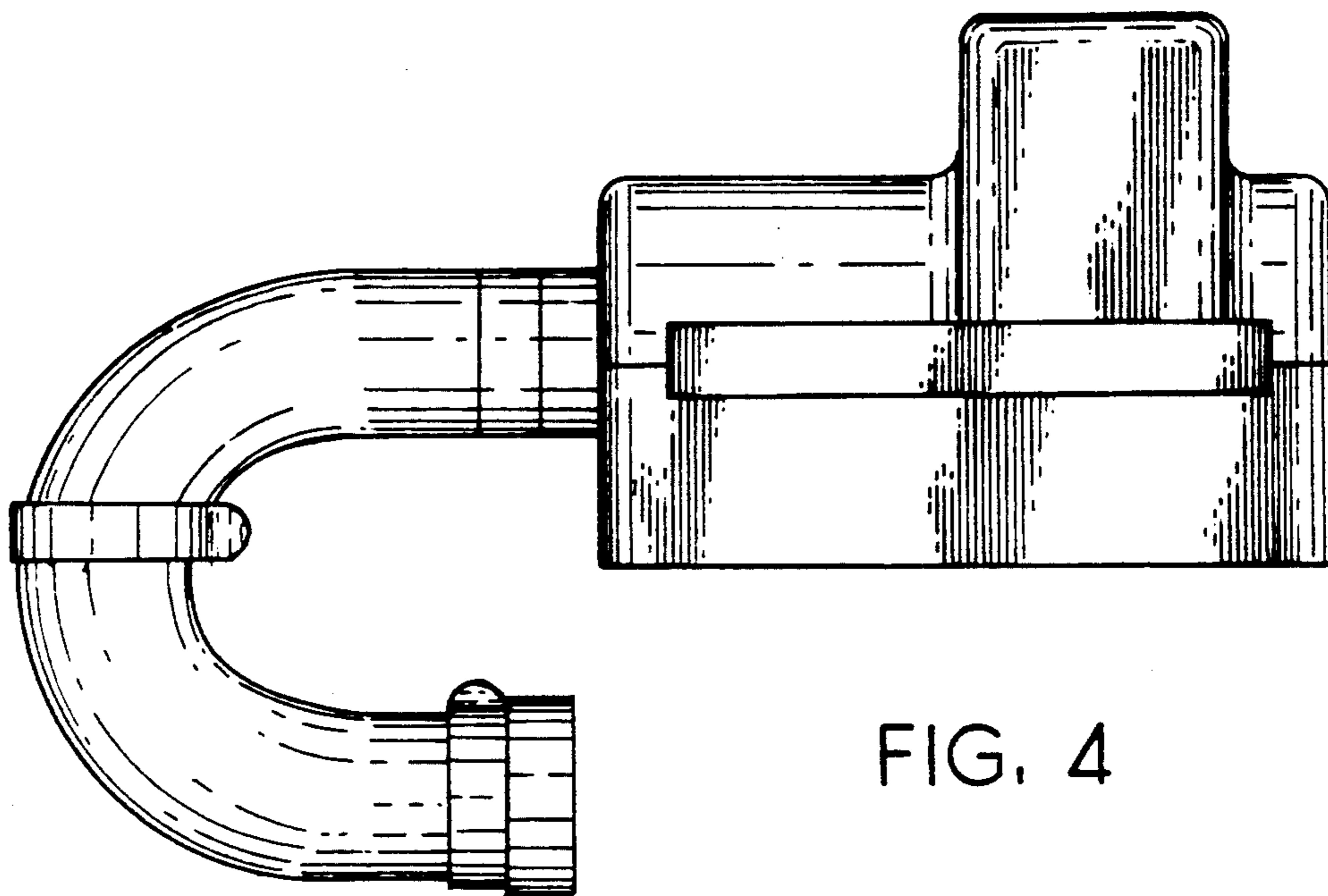


FIG. 4

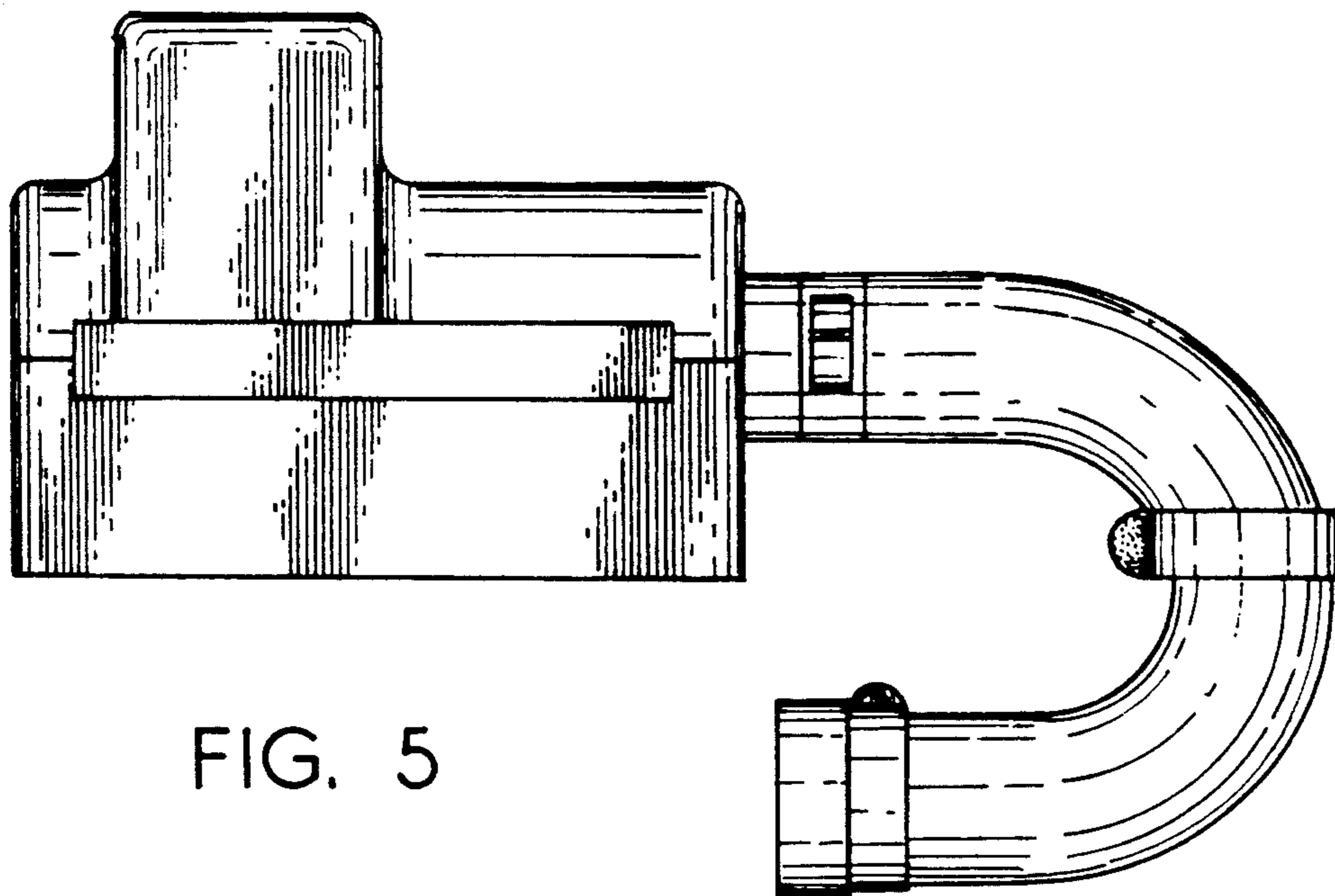


FIG. 5