



US00D342414S

United States Patent [19]

[11] Patent Number: **Des. 342,414**

Jorgensen

[45] Date of Patent: **** Dec. 21, 1993**

[54] NON-ELECTRIC COFFEE MAKER WITH EXTERNAL FRAME

[75] Inventor: **Carsten Jorgensen, Kriens, Switzerland**

[73] Assignee: **PI-Design AG, Triengen, Switzerland**

[**] Term: **14 Years**

[21] Appl. No.: **604,003**

[22] Filed: **Oct. 26, 1990**

[30] Foreign Application Priority Data

Apr. 26, 1990 [DK] Denmark 525/90

[52] U.S. Cl. **D7/317; D7/318**

[58] Field of Search **D7/300, 300.1, 301, D7/302, 303, 316, 317, 318, 319, 320, 321, 322, 619, 622, 312, 620, 506; 222/470, 471, 475.1, 472, 473; 99/295, 306, 316, 279; 220/254, 755, 758, 759, 278**

[56] References Cited

U.S. PATENT DOCUMENTS

D. 330.305	10/1992	Giugiaro	D7/317 X
1.782.962	11/1930	Hobbs	D7/620 X
2.215.411	9/1940	Sebring	D7/620 X
4.365.544	12/1982	Howitt	D7/317 X
4.823.975	4/1989	Schwankl	220/278 X
4.842.158	6/1989	Reyes, Jr.	220/758 X

OTHER PUBLICATIONS

Stainless Steel with Heat-Resistant, Glass Container, Art 9094 from Alessi by Aldo Rossi.

Corning Percolator No. 810, *Corning Housewares* Jan. 30, 1978.

Insta-Brewer, *House Beautiful* Oct. 1964, p. 85.

Primary Examiner—Alan P. Douglas
Assistant Examiner—M. N. Pandozzi
Attorney, Agent, or Firm—J. W. Gipple

[57] CLAIM

The ornamental design for a non-electric coffee maker with external frame, as shown and described.

DESCRIPTION

FIG. 1 is a side elevational view of the non-electric coffee maker with external frame showing my new design;

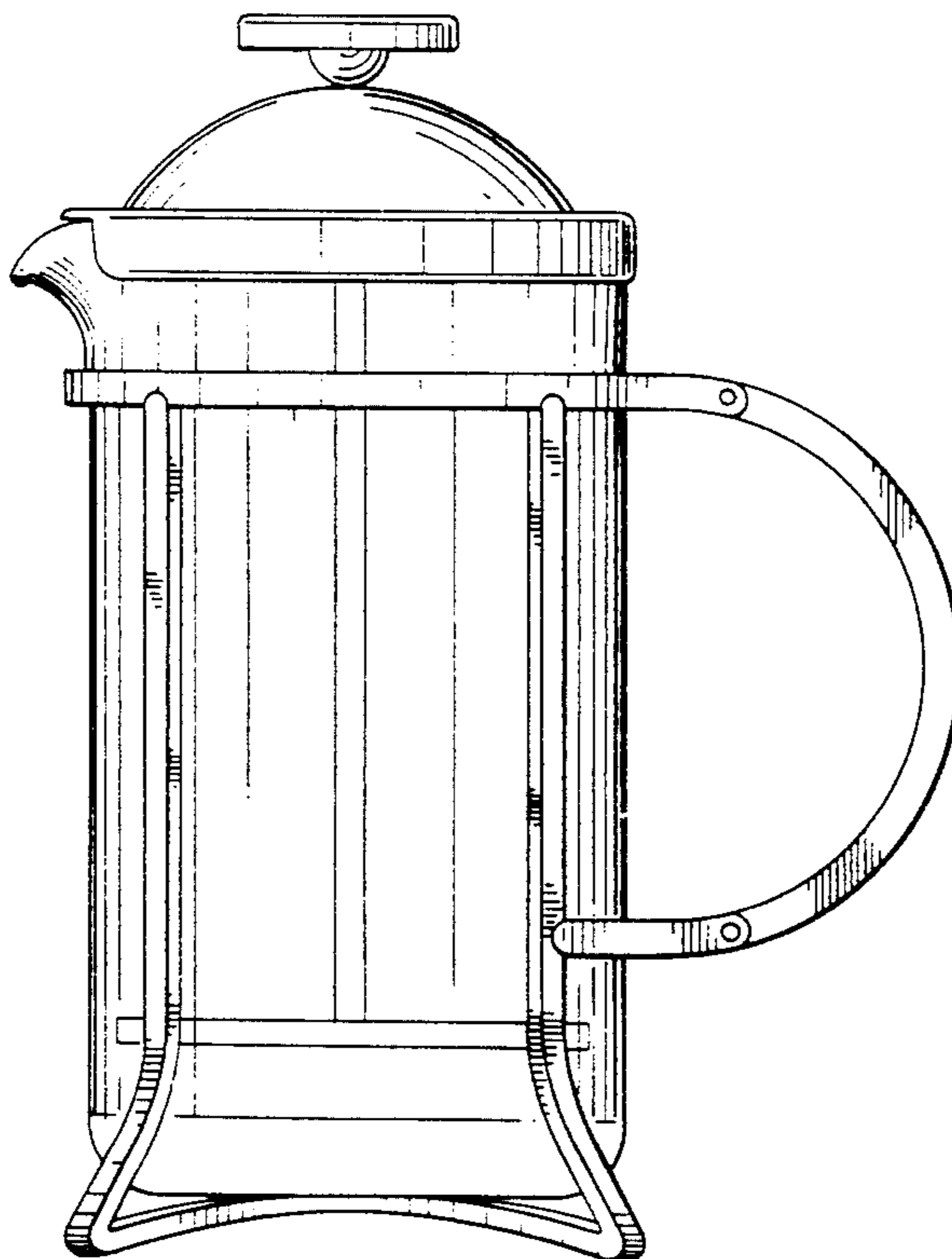
FIG. 2 is a side elevational view of the opposite side from FIG. 1 of the non-electric coffee maker with external frame showing my new design;

FIG. 3 is a top plan view of the non-electric coffee maker with external frame shown in FIG. 1;

FIG. 4 is a bottom plan view of the non-electric coffee maker with external frame shown in FIG. 1;

FIG. 5 is a front elevational view of the non-electric coffee maker with external frame showing my new design; and,

FIG. 6 is a rear elevational view of the non-electric coffee maker with external frame showing my new design.



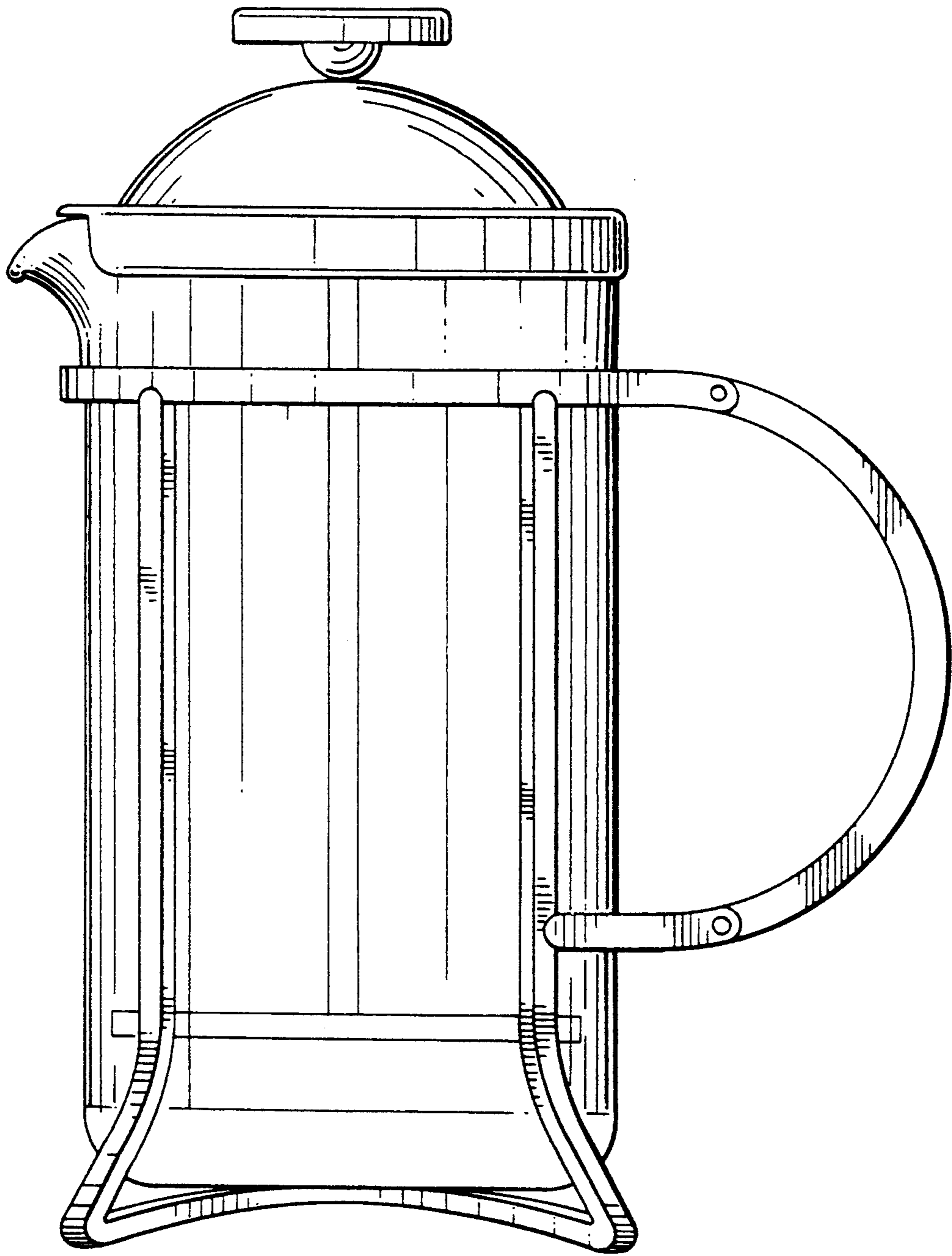


FIG. 1

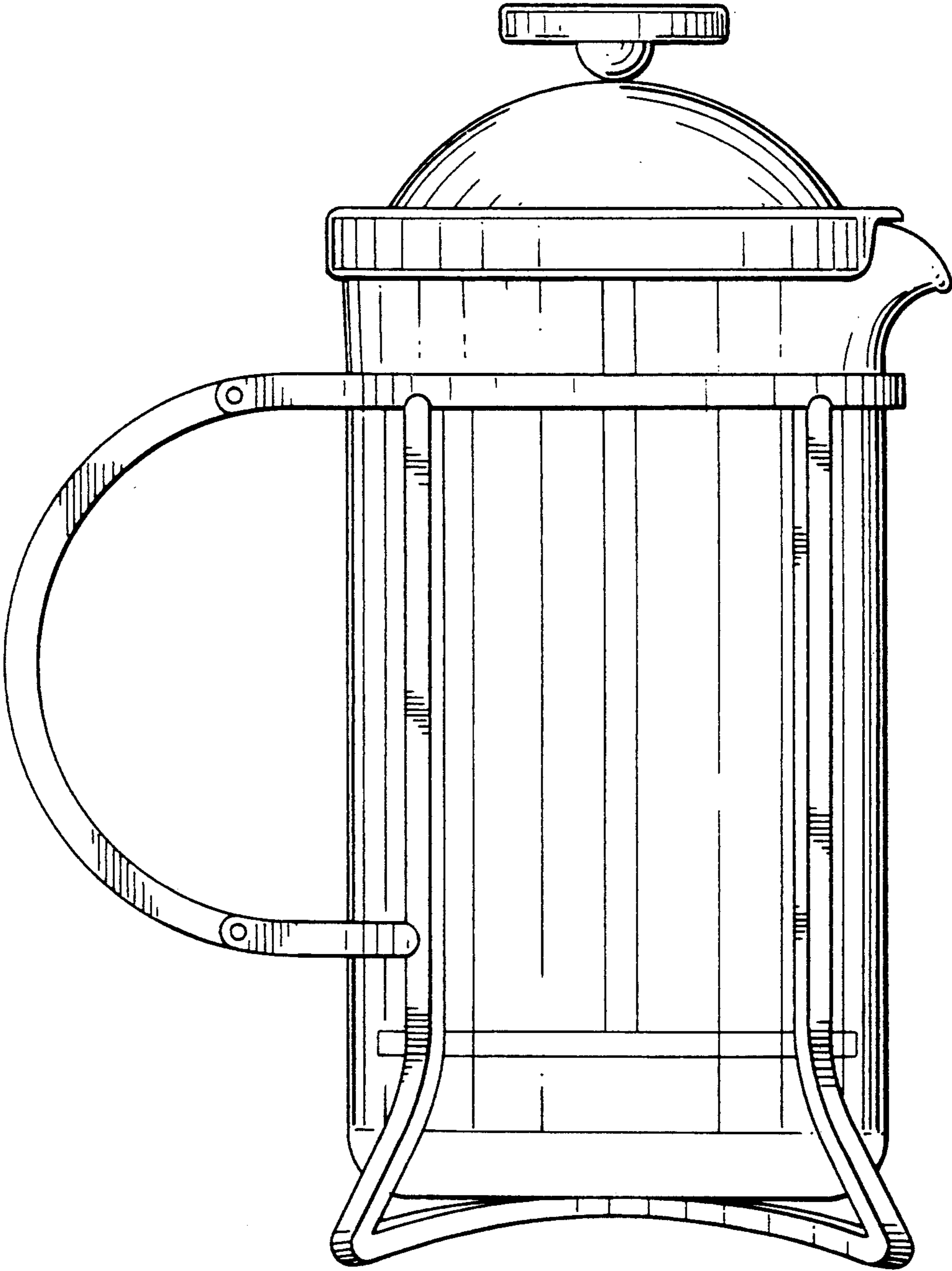


FIG. 2

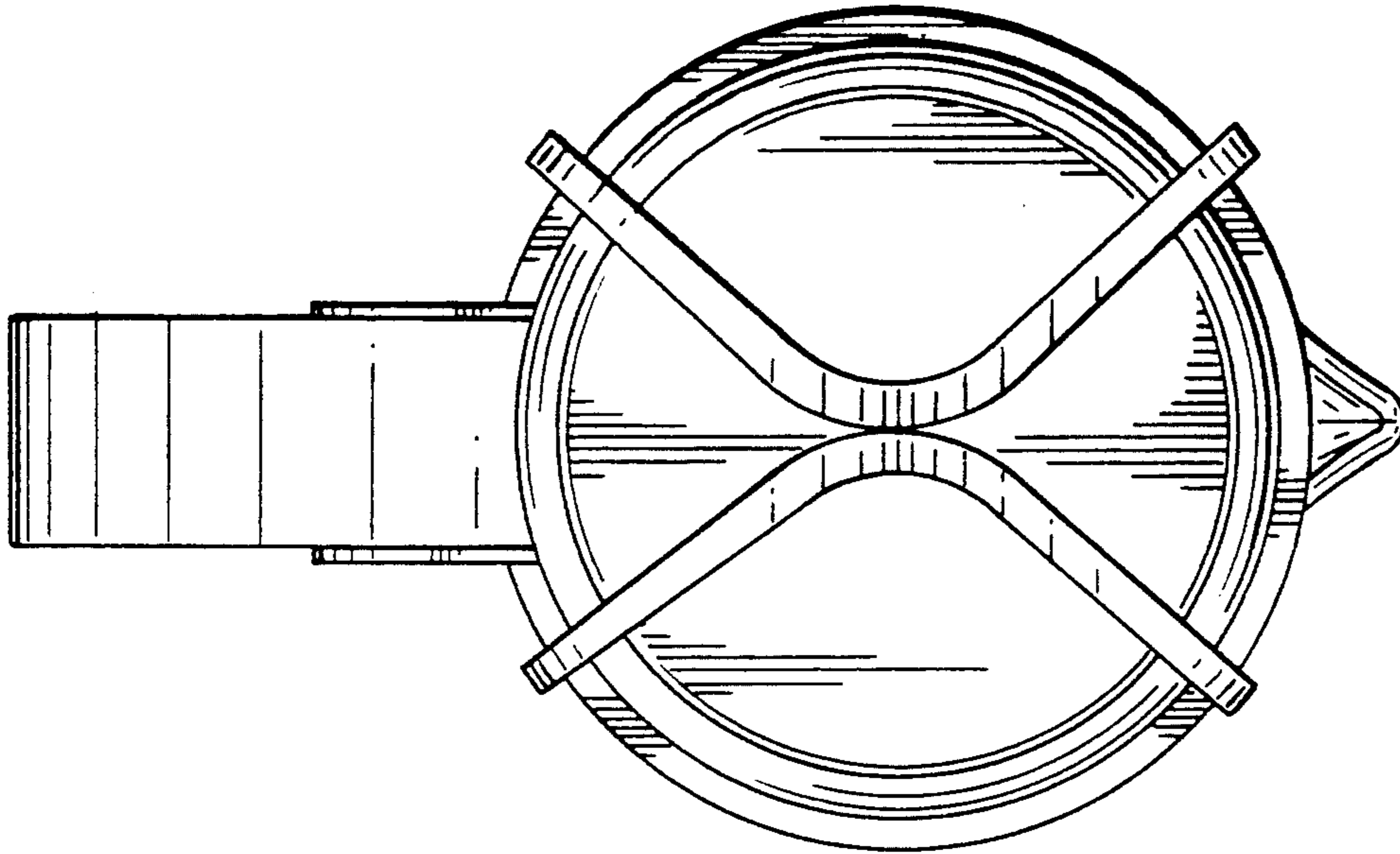


FIG. 4

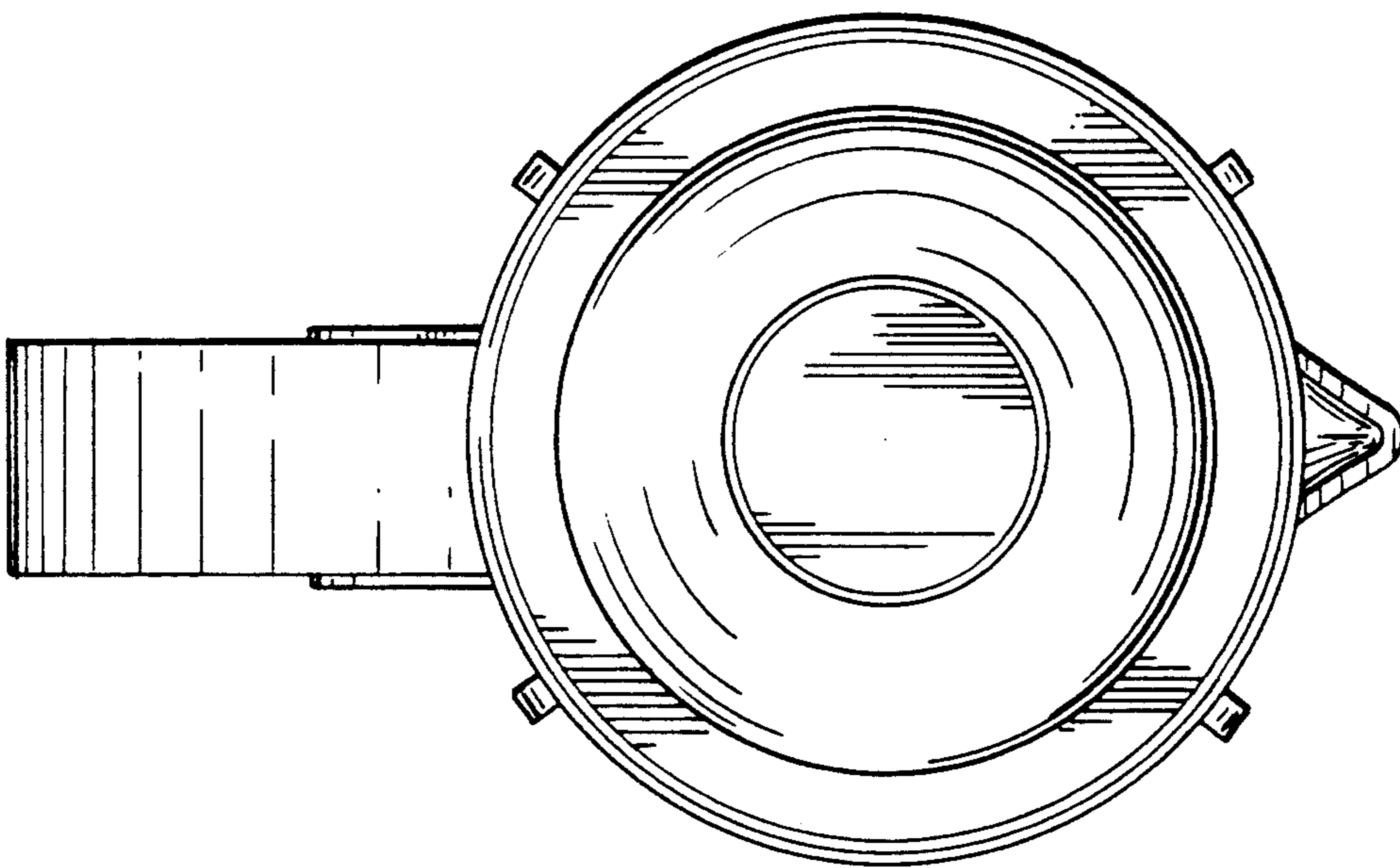


FIG. 3

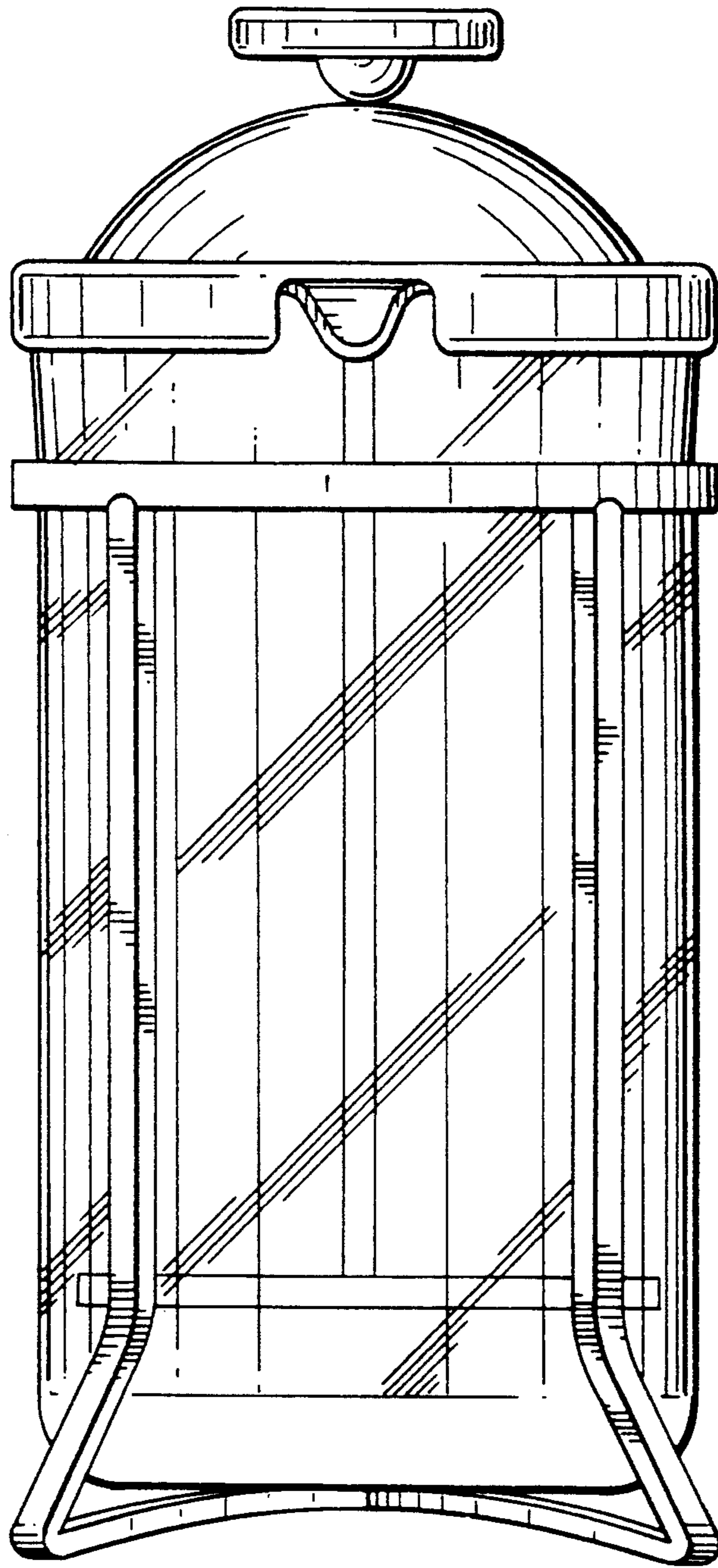


FIG. 5

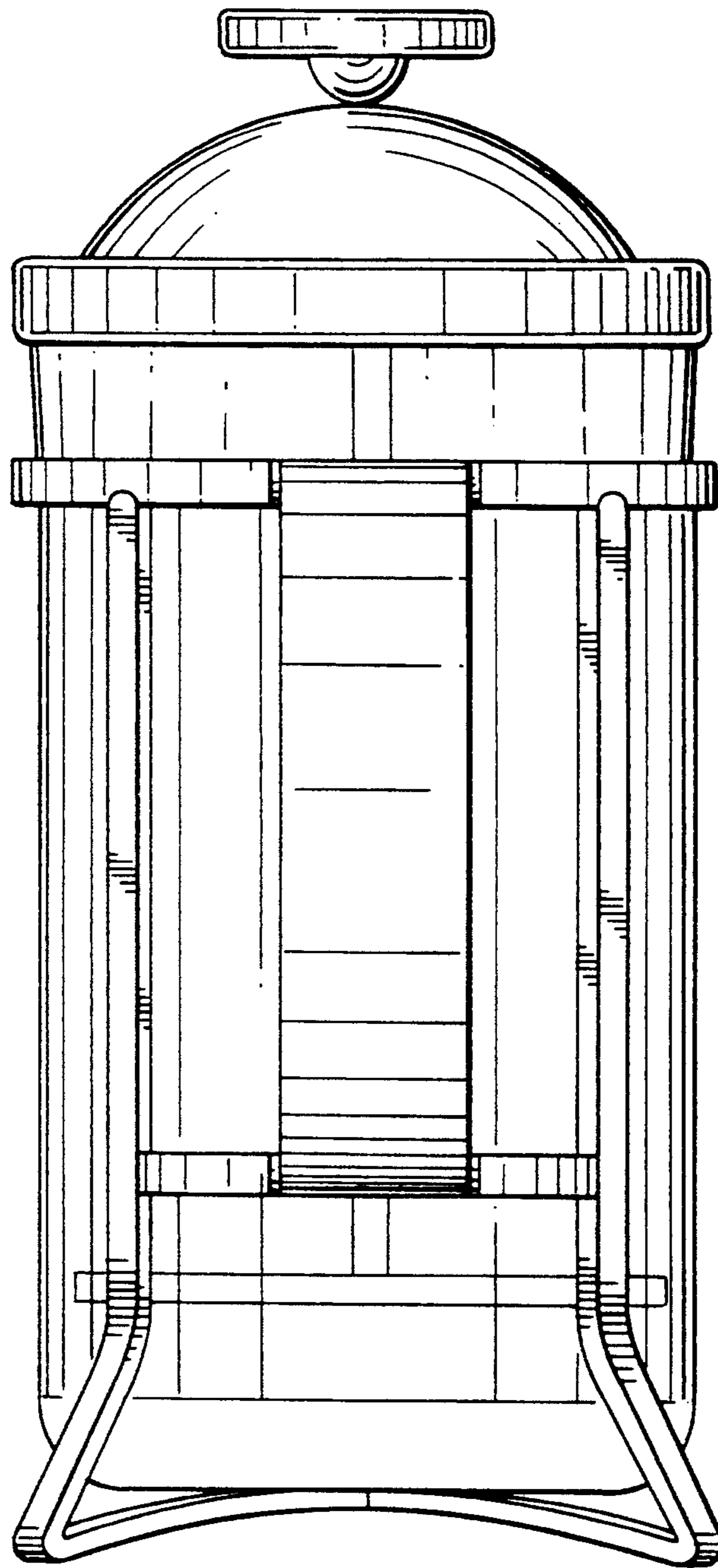


FIG. 6