



US00D342413S

# United States Patent [19]

[11] Patent Number: **Des. 342,413**

**Ullmann**

[45] Date of Patent: **\*\* Dec. 21, 1993**

[54] **COFFEE-MACHINE**

4,070,956 1/1978 Brown ..... D7/309 X

[75] Inventor: **Roland Ullmann, Offenbach/M, Fed. Rep. of Germany**

### FOREIGN PATENT DOCUMENTS

[73] Assignee: **Braun Aktiengesellschaft, Frankfurt, Fed. Rep. of Germany**

73MR8232 11/1976 Fed. Rep. of Germany .  
73MR9238 1/1983 Fed. Rep. of Germany .  
73MR8186 5/1983 Fed. Rep. of Germany .  
73MR784 11/1985 Fed. Rep. of Germany .  
DM/016657 5/1990 World Int. Prop. O. .  
DM/020329 8/1991 World Int. Prop. O. .

[\*\*] Term: **14 Years**

[21] Appl. No.: **835,569**

### OTHER PUBLICATIONS

[22] Filed: **Feb. 12, 1992**

Roweta Filtermatic, Form 96 IV 1981/1982 p. 80.

### [30] Foreign Application Priority Data

Aug. 24, 1991 [DE] Fed. Rep. of Germany ..... M9105895.3

*Primary Examiner*—Alan P. Douglas  
*Assistant Examiner*—M. N. Pandozzi  
*Attorney, Agent, or Firm*—Fish & Richardson

[52] U.S. Cl. .... **D7/309; D7/310; D7/311**

### [57] CLAIM

[58] Field of Search ..... **D7/310, 300, 309, 311, D7/312, 314, 317, 321, 602, 619; 99/293, 279, 395, 300**

The ornamental design for a coffee-machine, as shown and described.

### DESCRIPTION

### [56] References Cited

#### U.S. PATENT DOCUMENTS

D. 198,703 7/1964 Douglas ..... D7/310  
D. 257,475 11/1980 von Dercuehe ..... D7/309  
D. 270,699 9/1983 Rakocy et al. .... D7/309  
D. 288,885 3/1987 Kahlcke ..... D7/309  
D. 299,608 1/1989 Knöchner ..... D7/309

FIG. 1 is a top, front left perspective view of a coffee machine showing my new design;  
FIG. 2 is a side view thereof;  
FIG. 3 is a side view thereof;  
FIG. 4 is a top plan view thereof;  
FIG. 5 is a bottom plan view thereof;  
FIG. 6 is a front elevational view thereof; and,  
FIG. 7 is a rear elevational view thereof.

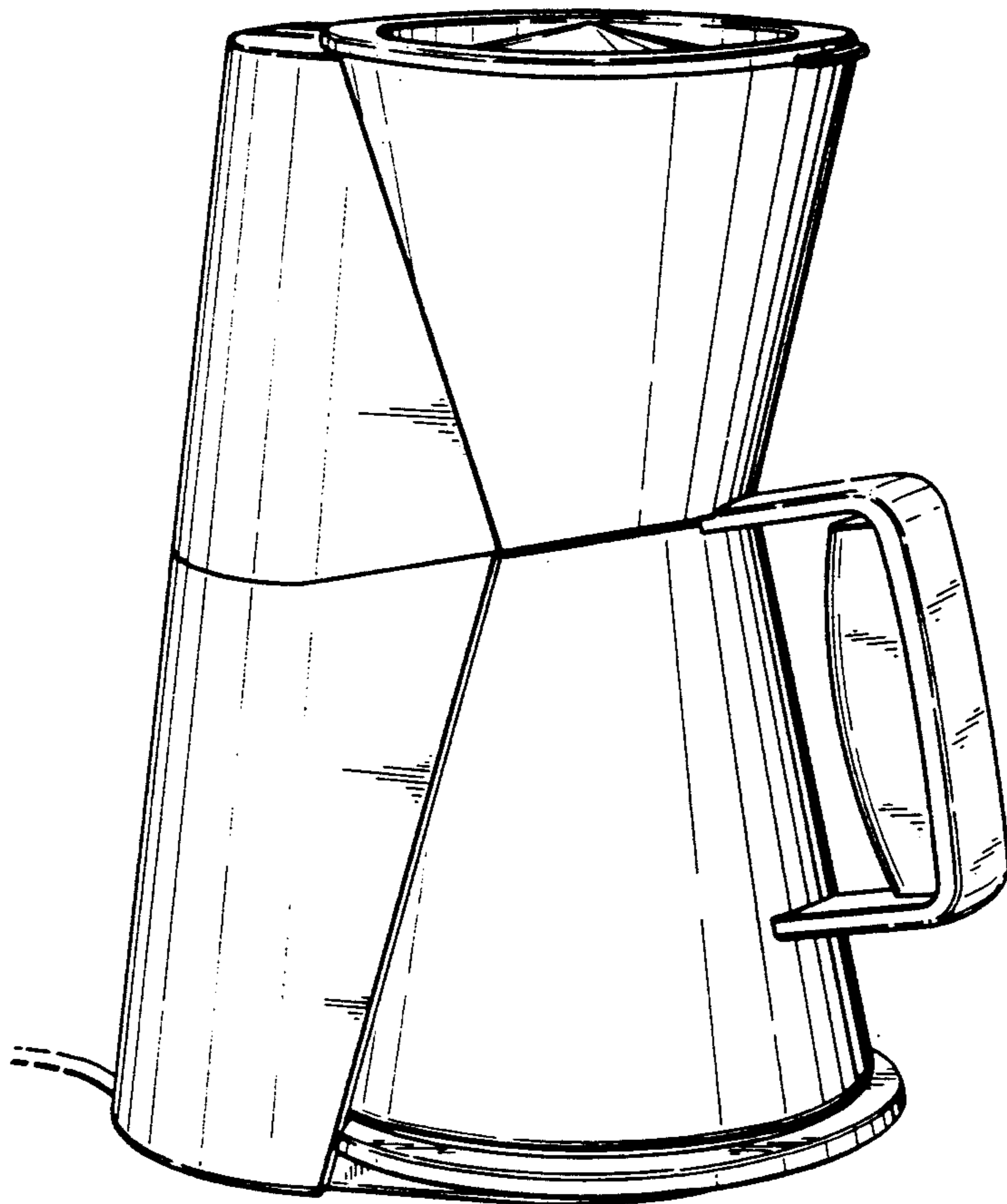


Fig. 1

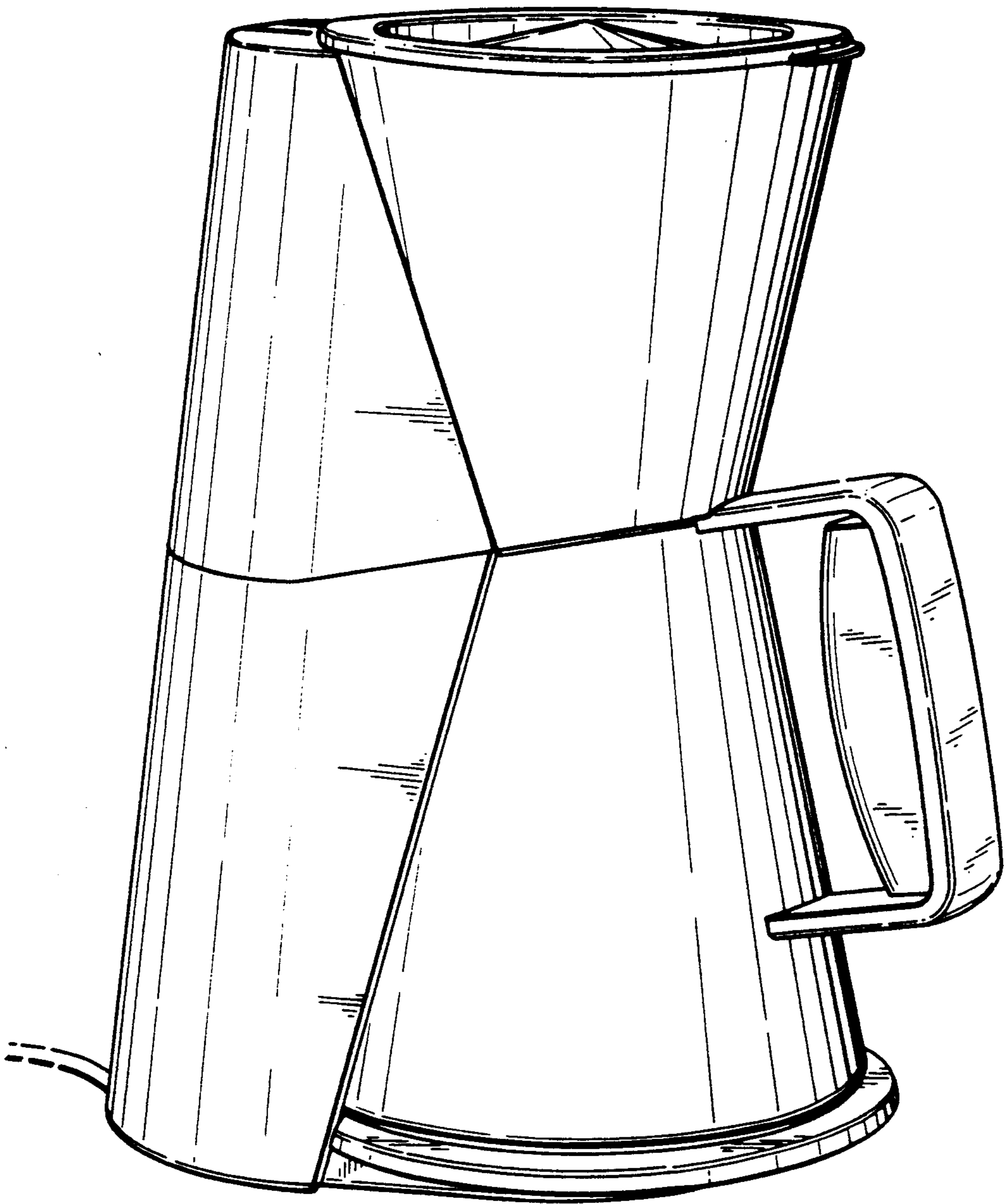


Fig. 4

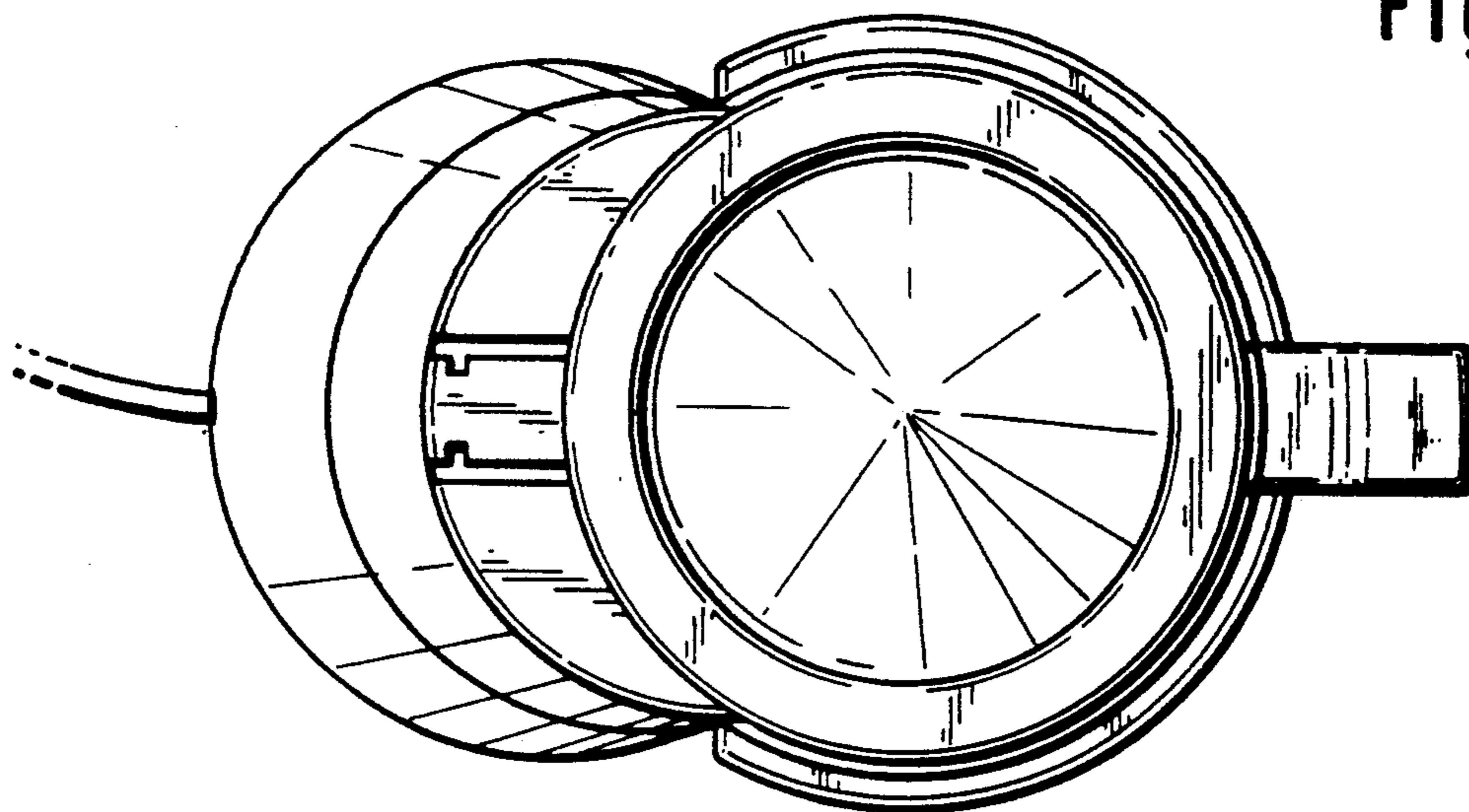


Fig. 2

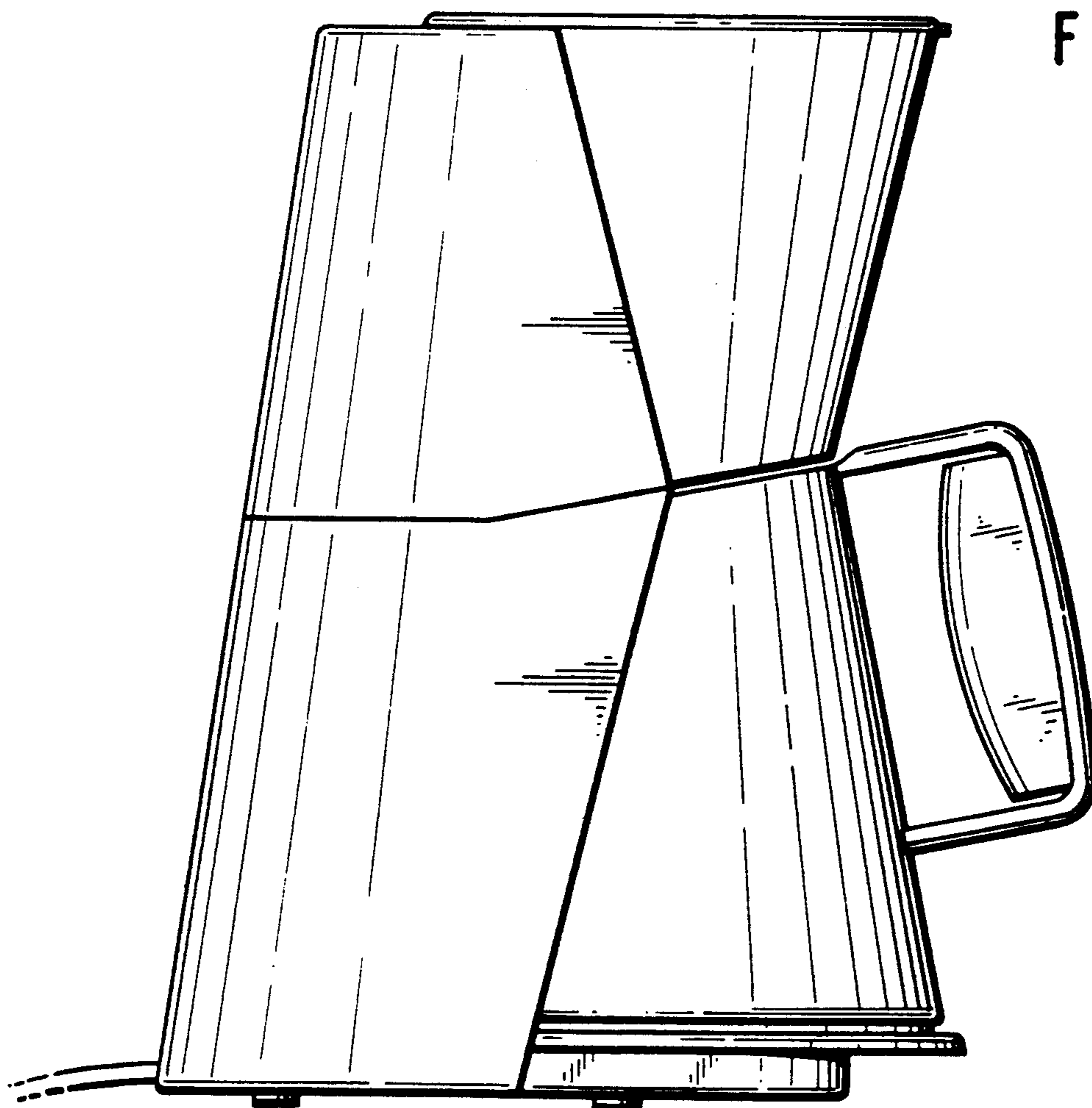


Fig. 3

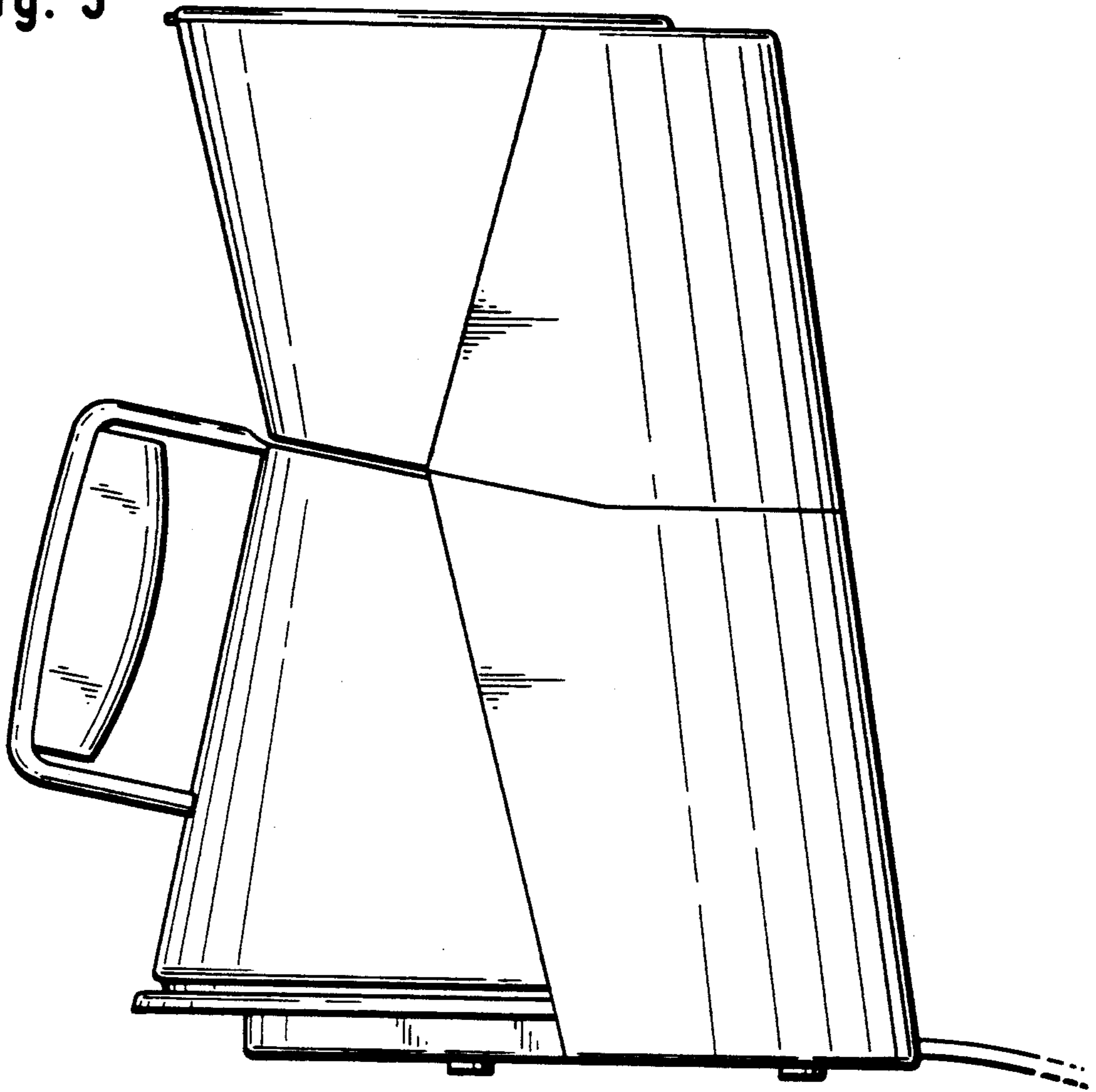


Fig. 5

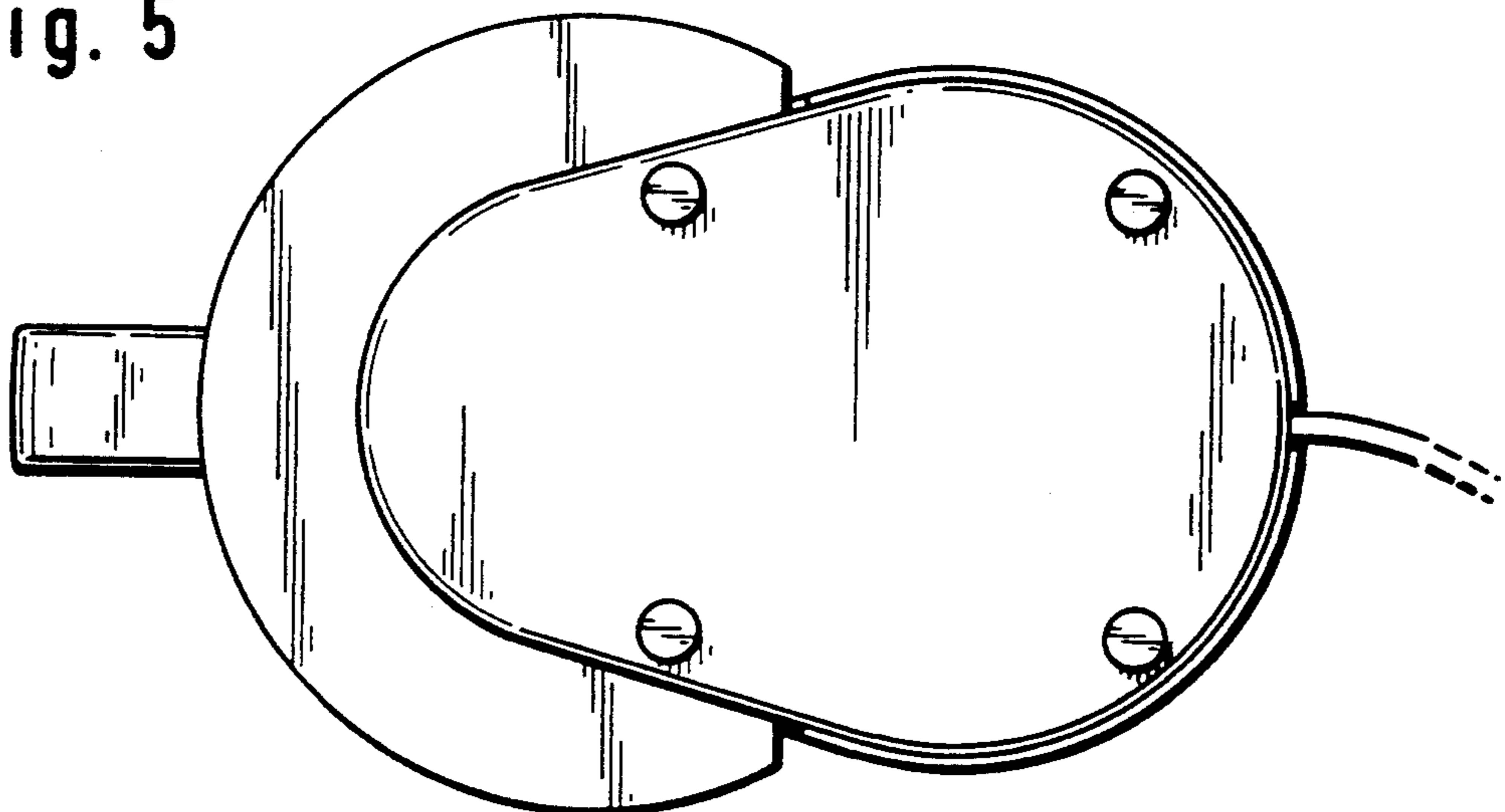


Fig. 7

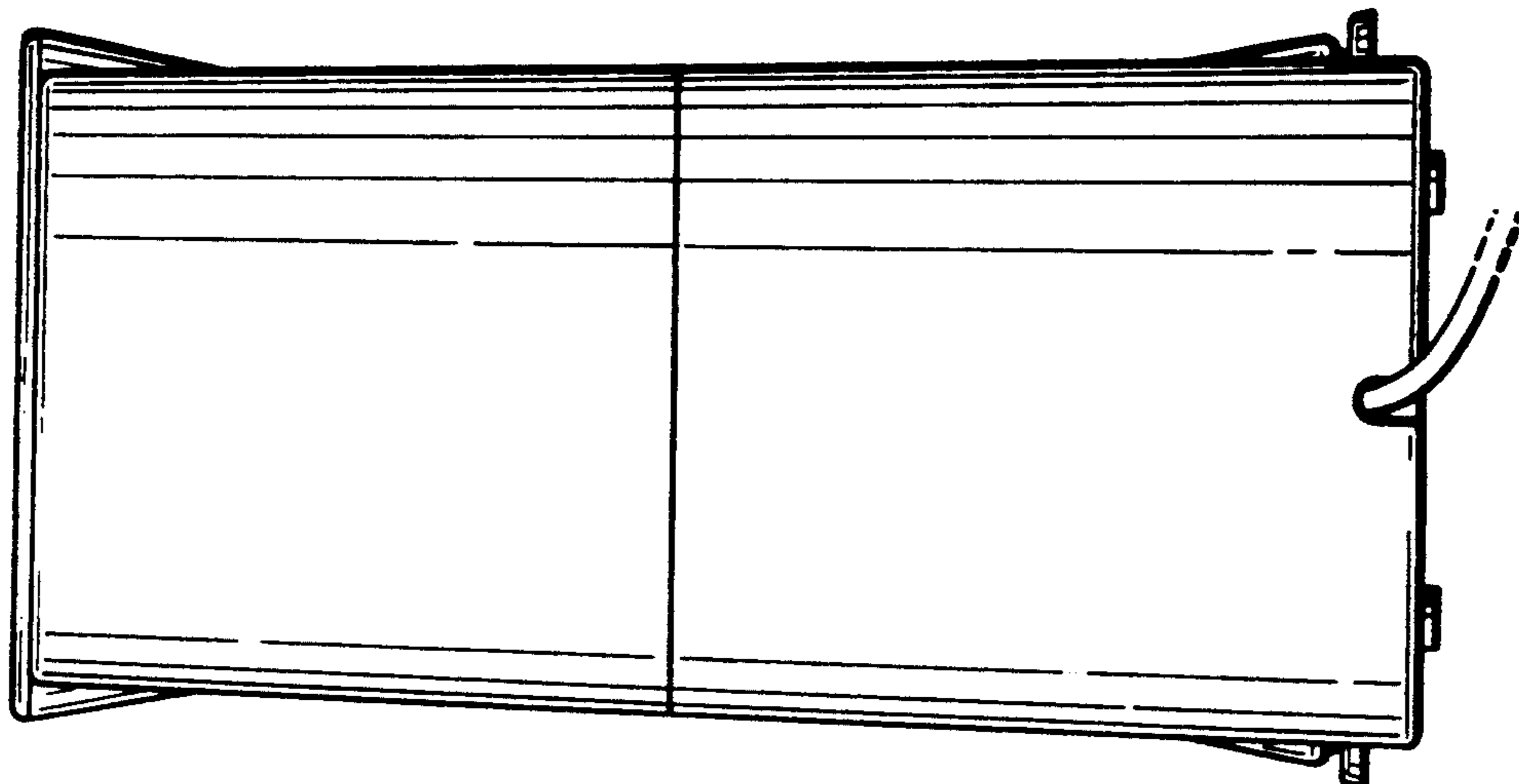


Fig. 6

