



US00D342405S

United States Patent [19] Hazel

[11] Patent Number: **Des. 342,405**

[45] Date of Patent: **** Dec. 21, 1993**

[54] **CHILD'S CAR SEAT ACCESSORY**

[76] Inventor: **Robert P. Hazel**, Rte. 1, Box 601,
Broad Run, Va. 22014

[**] Term: **14 Years**

[21] Appl. No.: **913,896**

[22] Filed: **Jul. 16, 1992**

[52] U.S. Cl. **D6/501; D6/333;
D6/601**

[58] Field of Search **D6/333, 339, 368, 501,
D6/601, 509; 5/94, 417; 297/DIG. 4, 219, 231,
250**

4,915,446 4/1990 Darling et al. .
4,930,842 6/1990 Wilkinson et al. 297/DIG. 4 X

FOREIGN PATENT DOCUMENTS

469129 5/1914 France 297/231
54766 2/1911 Switzerland 297/231

Primary Examiner—Carmen H. Vales-Lado

[57] CLAIM

The original design for a child's car seat accessory, as shown.

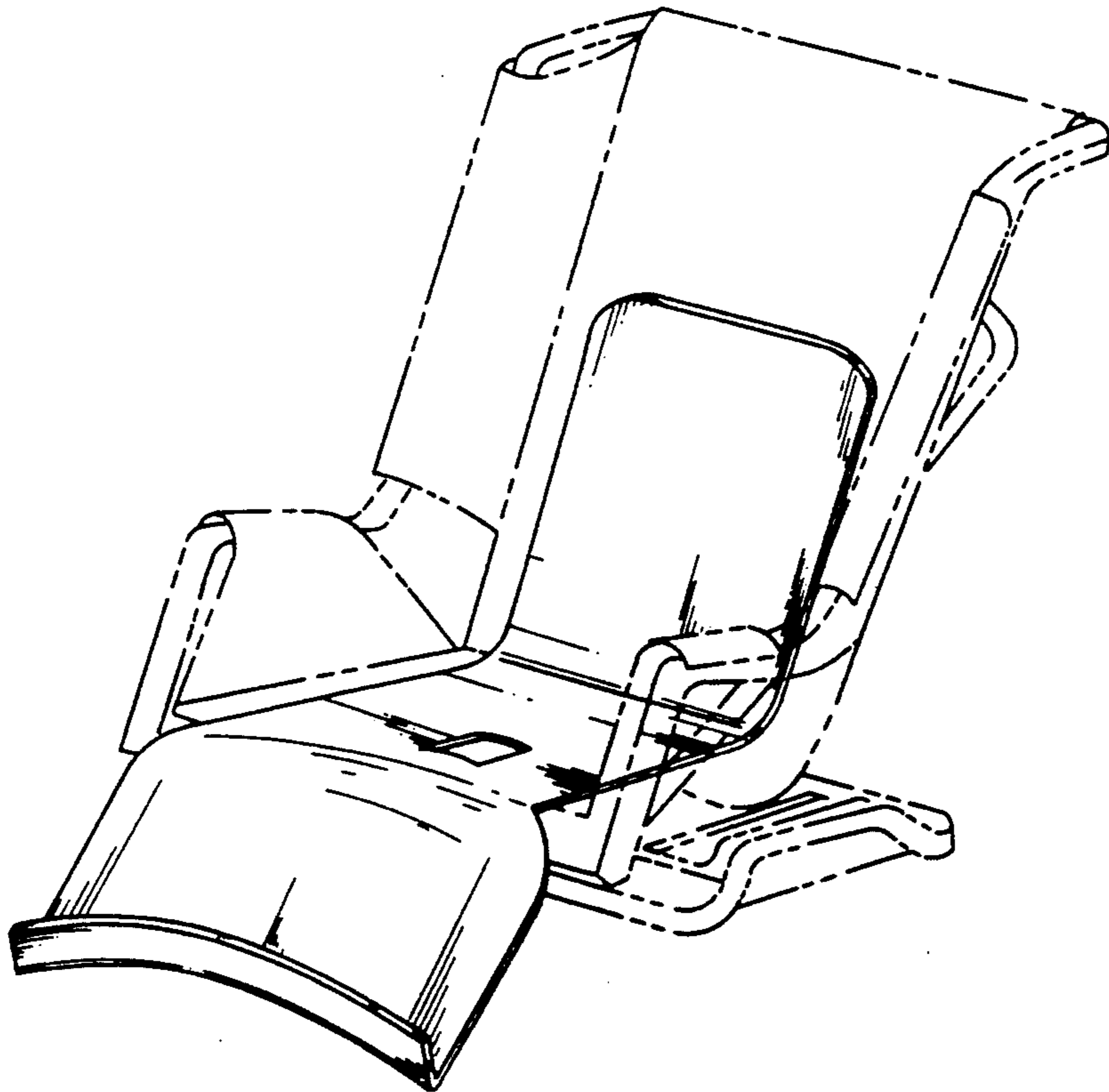
DESCRIPTION

FIG. 1 is a top, front and left side perspective view of a child's car seat accessory showing my new design;
FIG. 2 is a front view thereof;
FIG. 3 is a top plan view thereof;
FIG. 4 is a right side view, the left side being a mirror image thereof;
FIG. 5 is a rear view thereof;
FIG. 6 is a bottom view thereof;
FIG. 7 is a top front and left side perspective view of a modified embodiment of the child's car seat accessory shown in FIG. 1;
FIG. 8 is a rear view thereof, portion of the padding lifted for convenience of illustration; and,
FIG. 9 is a right side view, the left side being a mirror image thereof.
The broken line showings of FIGS. 1 and 7 are for illustrative purposes only and form no part of the claimed design.

[56] References Cited

U.S. PATENT DOCUMENTS

D. 264,788	6/1982	Blanchard	D6/333
D. 315,837	4/1991	Bernon	D6/368
1,216,287	2/1917	Corbin .	
1,621,367	3/1927	Hawkins .	
1,688,225	10/1928	Belohlavek .	
3,054,637	9/1962	Pambello .	
3,501,197	6/1969	Burton .	
4,198,716	4/1980	Hollyday, III .	
4,385,782	5/1983	Clark, Jr. .	
4,402,548	9/1983	Mason	297/250 X
4,416,462	11/1983	Thompson .	
4,565,405	1/1986	Mayer	297/219 X
4,695,092	9/1987	Hittie .	
4,728,151	3/1988	Neufeld .	
4,874,203	10/1989	Henley .	



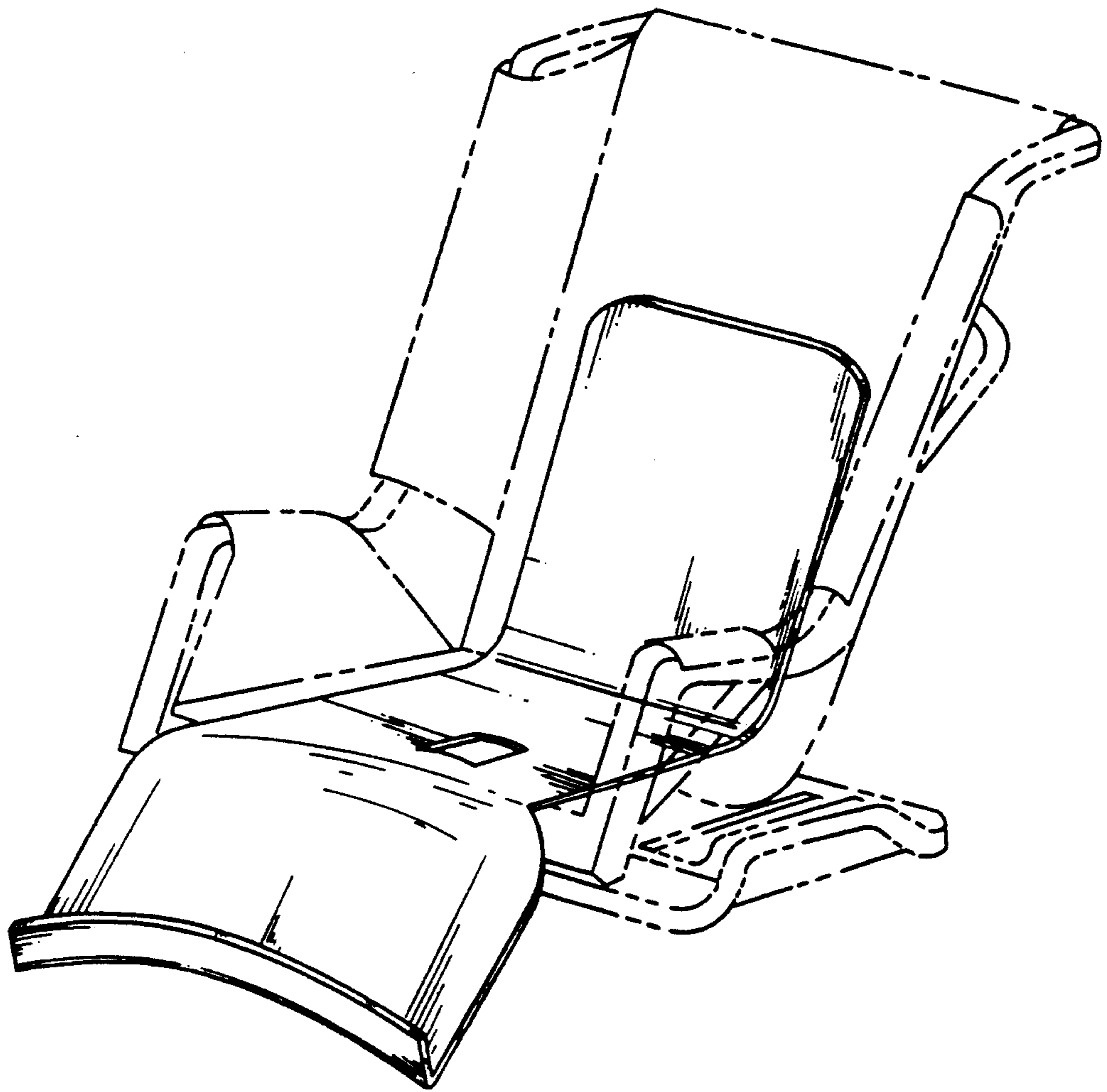


FIG. 1

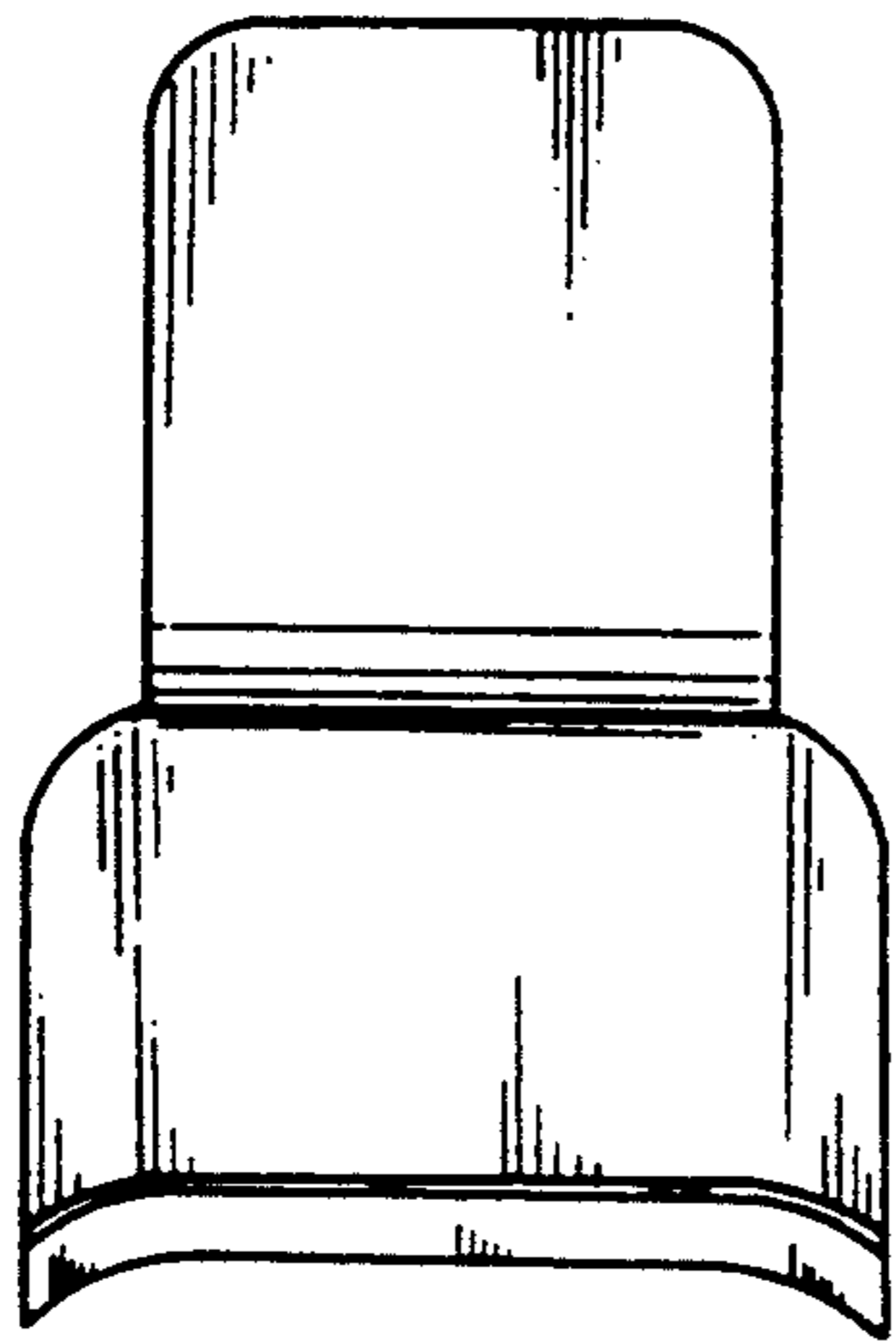


FIG. 2

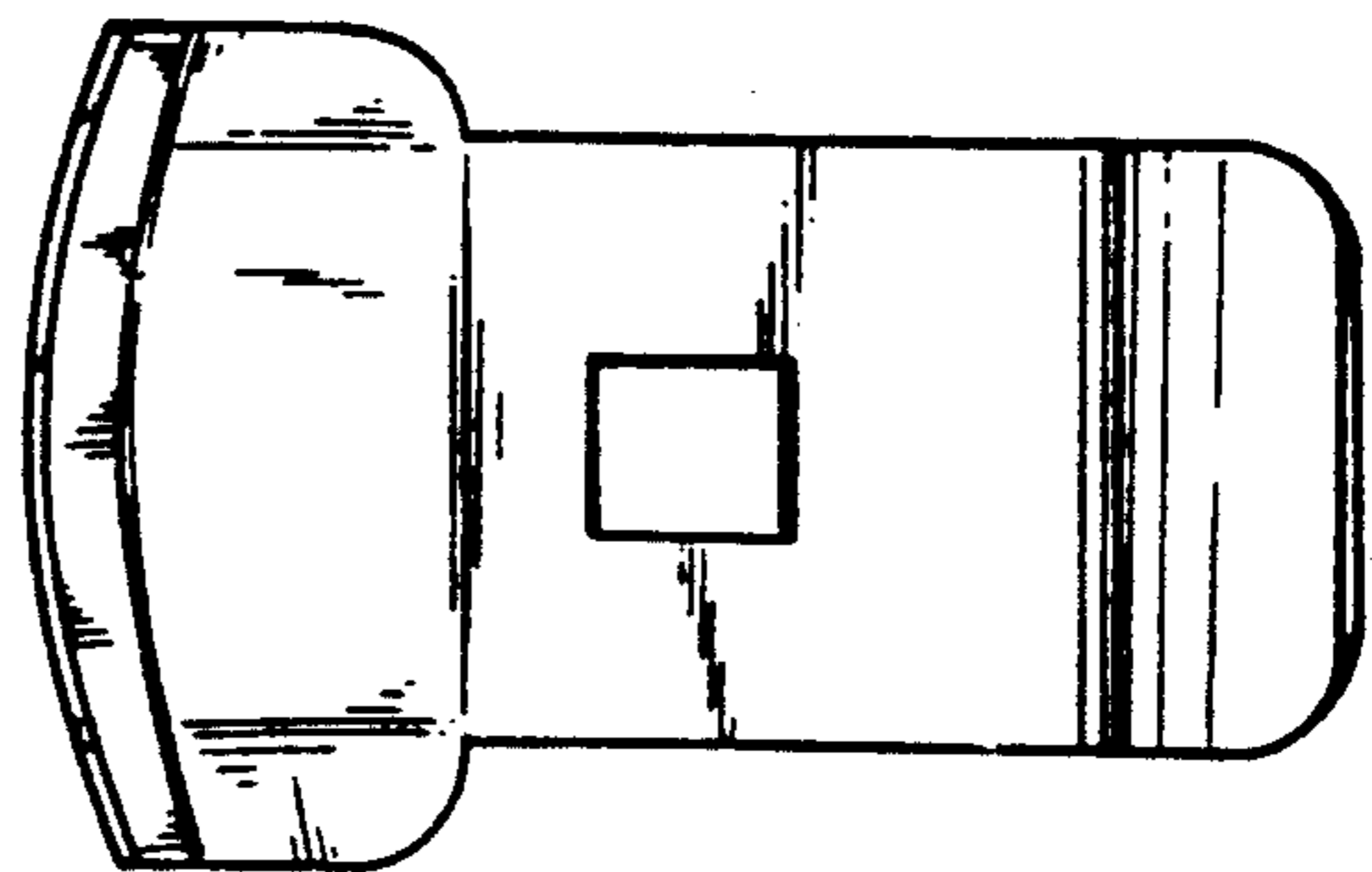


FIG. 3

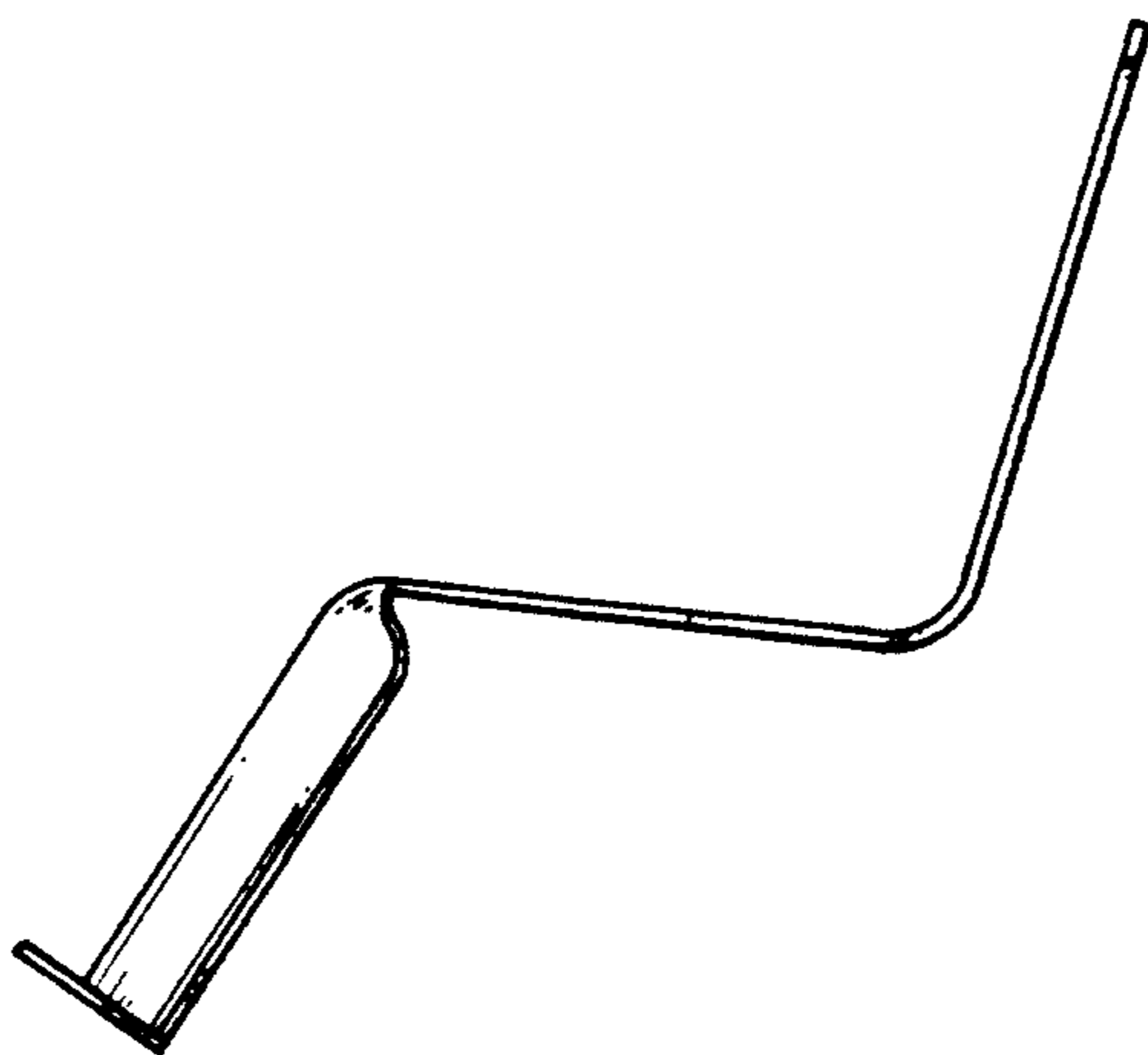


FIG. 4

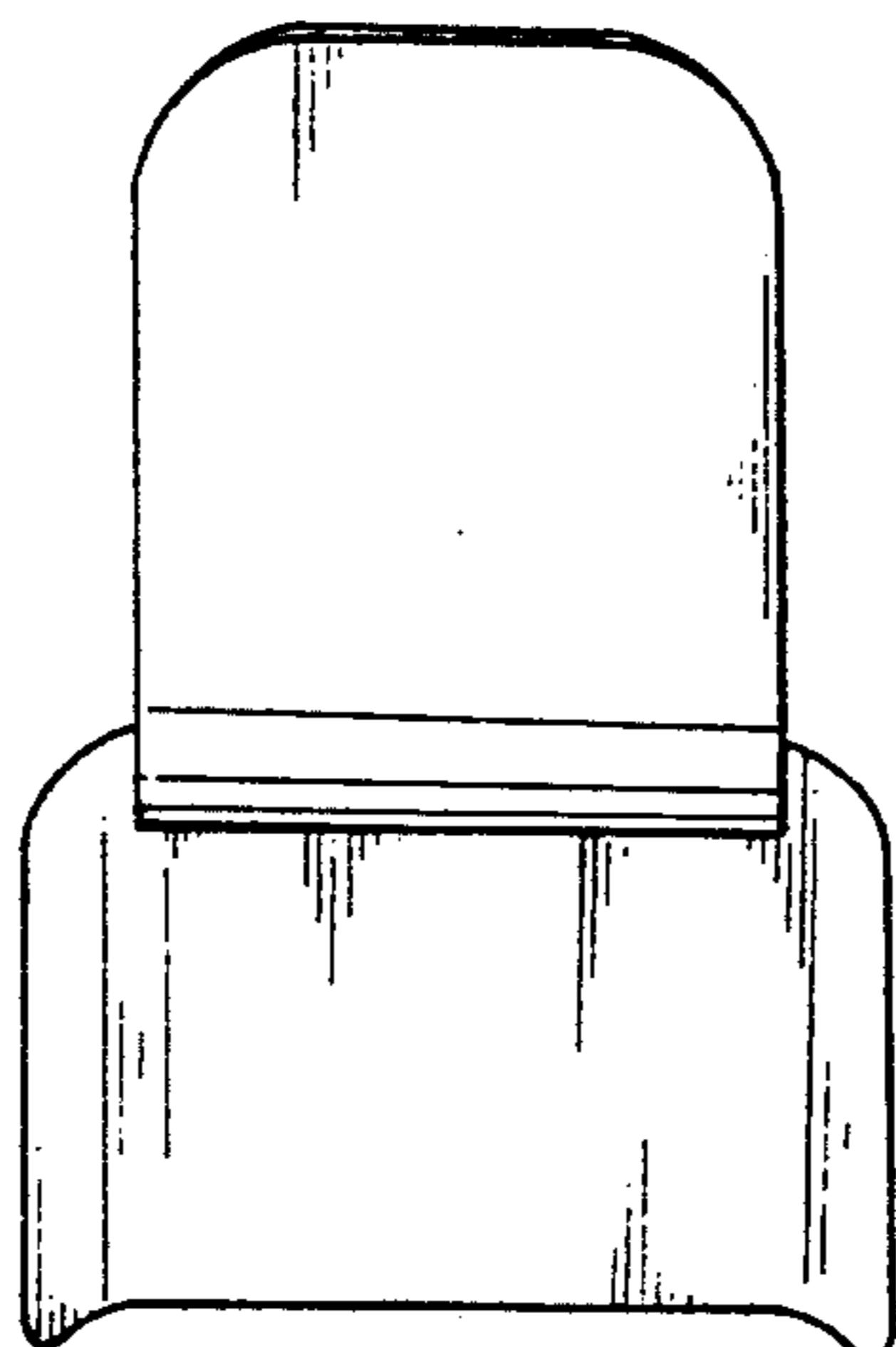


FIG. 5

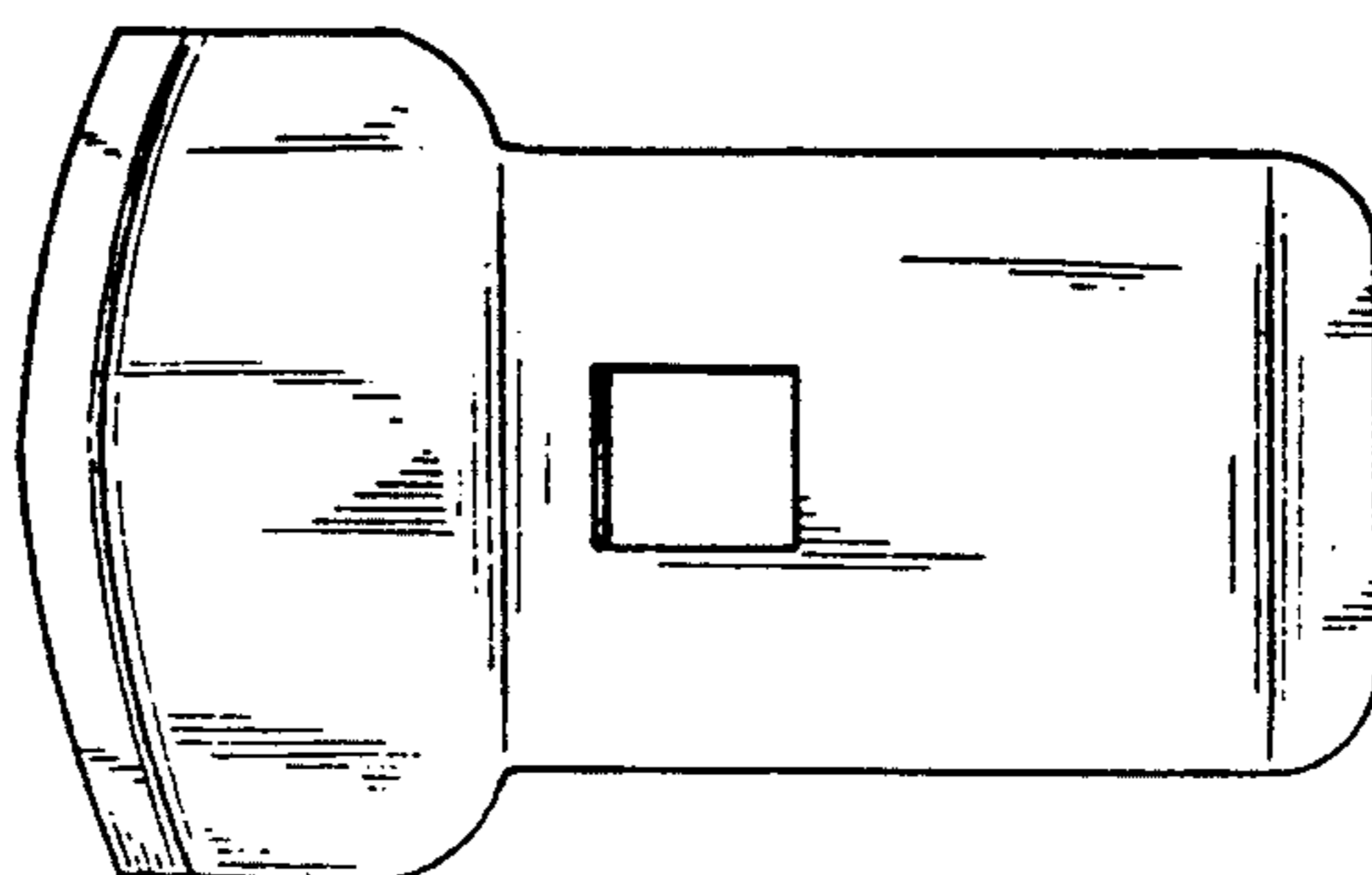


FIG. 6

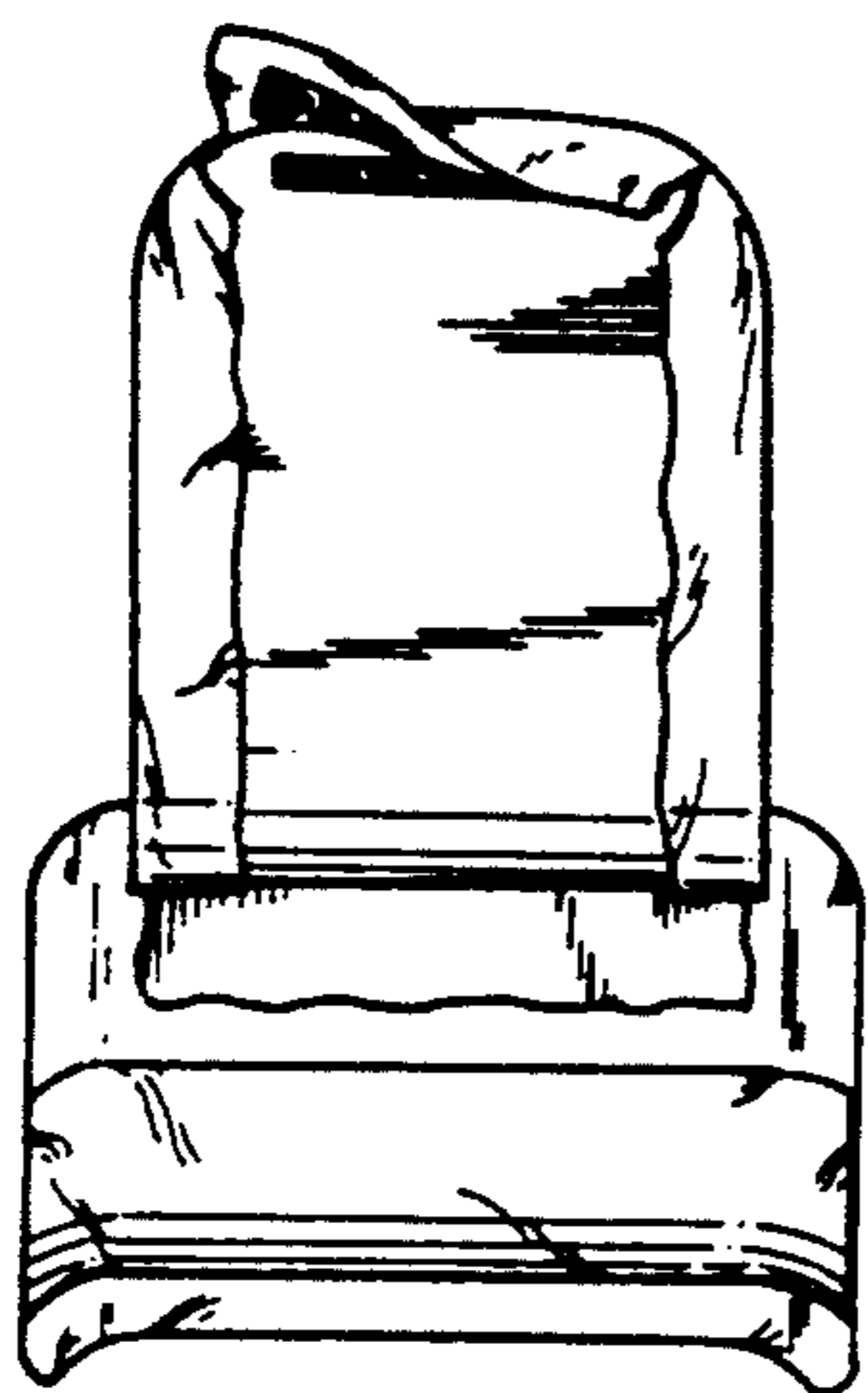
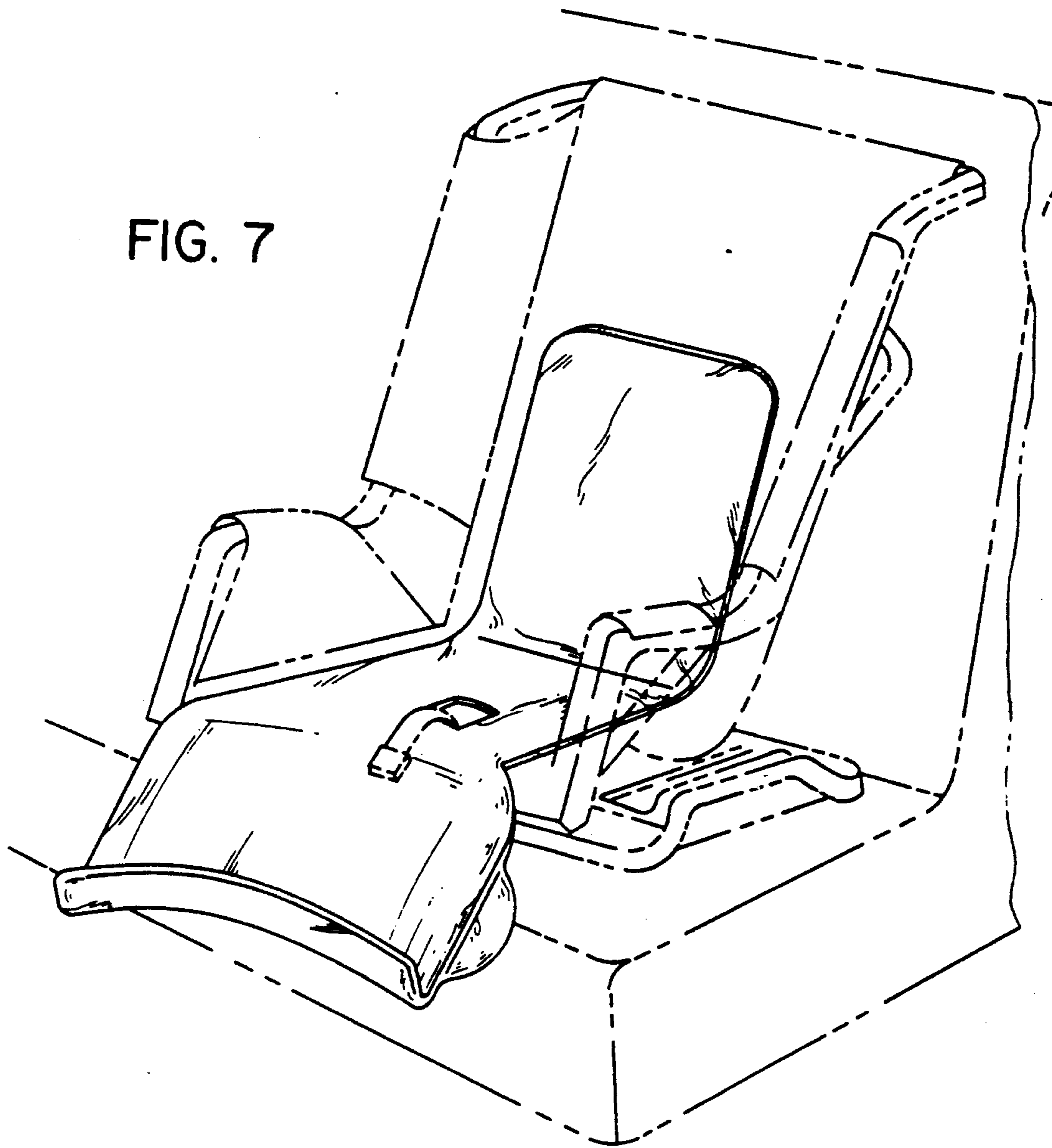


FIG. 8

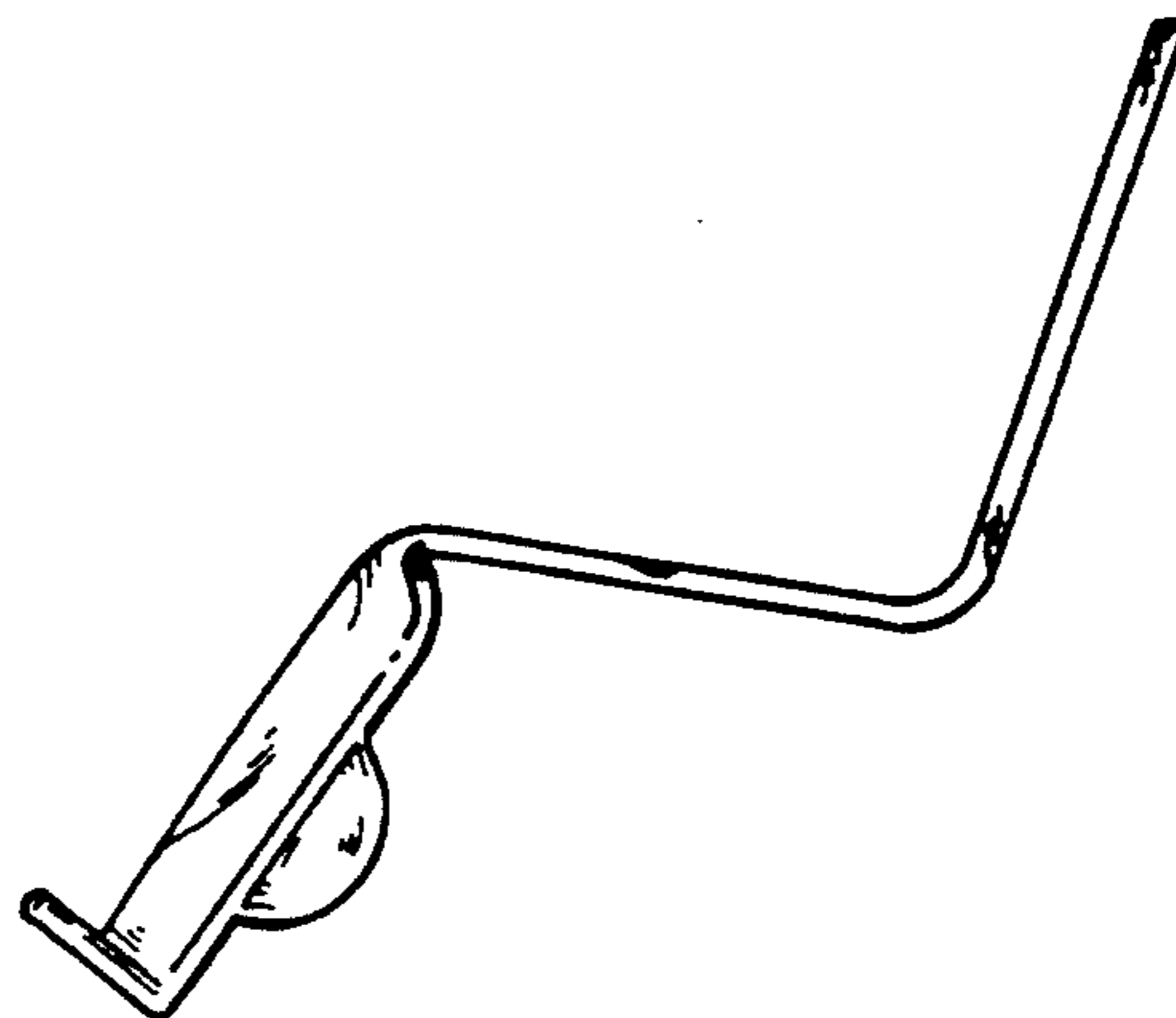


FIG. 9