



US00D342367S

United States Patent [19]

[11] Patent Number: Des. 342,367

Lamancusa

[45] Date of Patent: ** Dec. 14, 1993

[54] MAILBOX AND NEWSPAPER DELIVERY BOX

[57] CLAIM

The ornamental design for the mailbox and newspaper delivery box, as shown and described.

[76] Inventor: Martin Lamancusa, 4626 Estes Dr., Kent, Ohio 44240

DESCRIPTION

[**] Term: 14 Years

FIG. 1 is a front elevational view of a new design of a mailbox and newspaper delivery box, mounted on a post;

[21] Appl. No.: 923,047

FIG. 2 is a left side elevational view with reference to FIG. 1;

[22] Filed: Jul. 31, 1992

FIG. 3 is a right side elevational view, also with reference to FIG. 1;

[52] U.S. Cl. D99/30

FIG. 4 is a rear view;

[58] Field of Search D99/28-30; 232/1-17, 34; D12/114, 158; 280/835

FIG. 5 is a top plan view;

FIG. 6 is a bottom view;

[56] References Cited

U.S. PATENT DOCUMENTS

D. 319,421 8/1991 Kerezman D12/158
2,109,316 2/1938 Harley 280/835

FIG. 7 is a top plan view of a second embodiment of the design, intended for mounting on a wall;

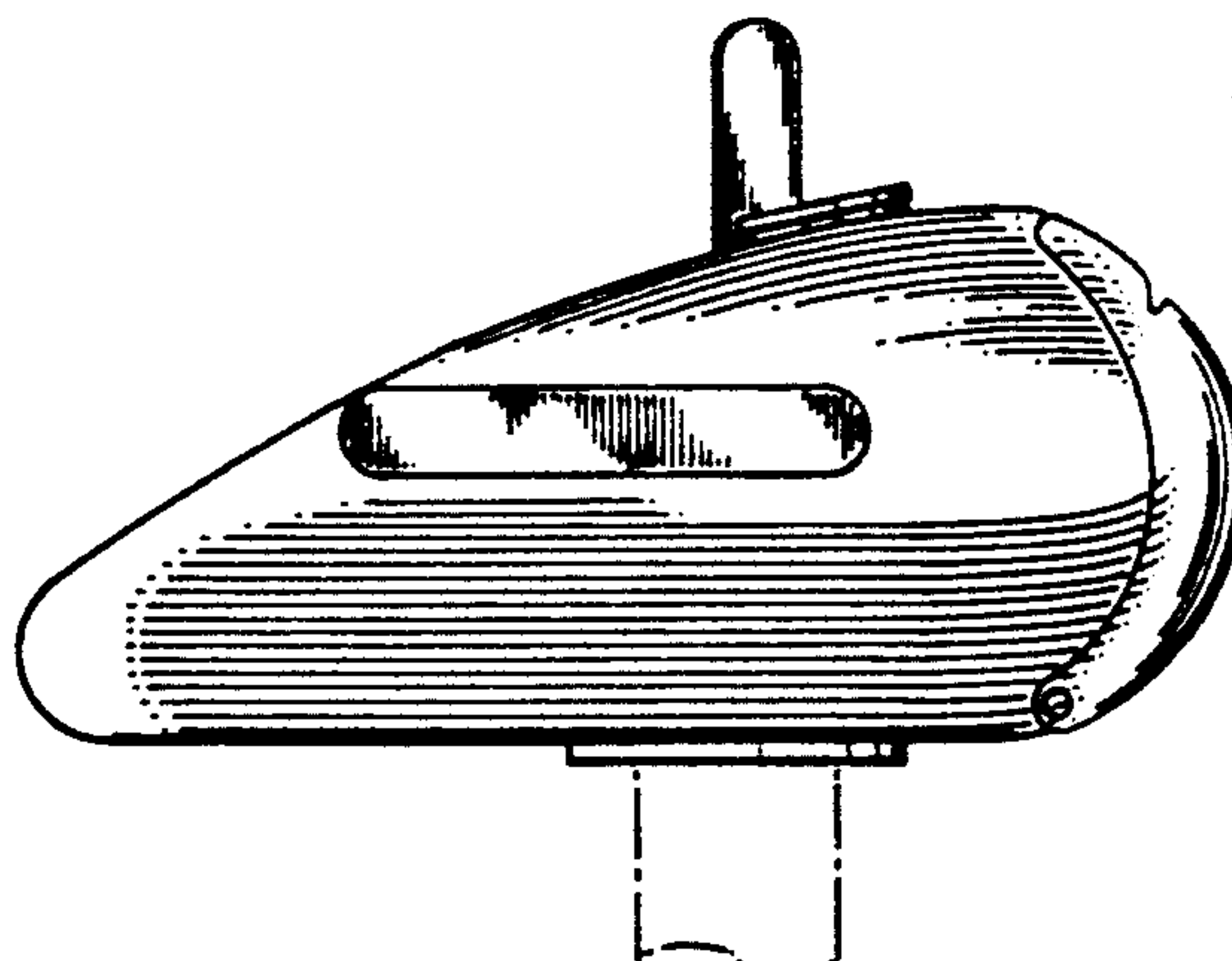
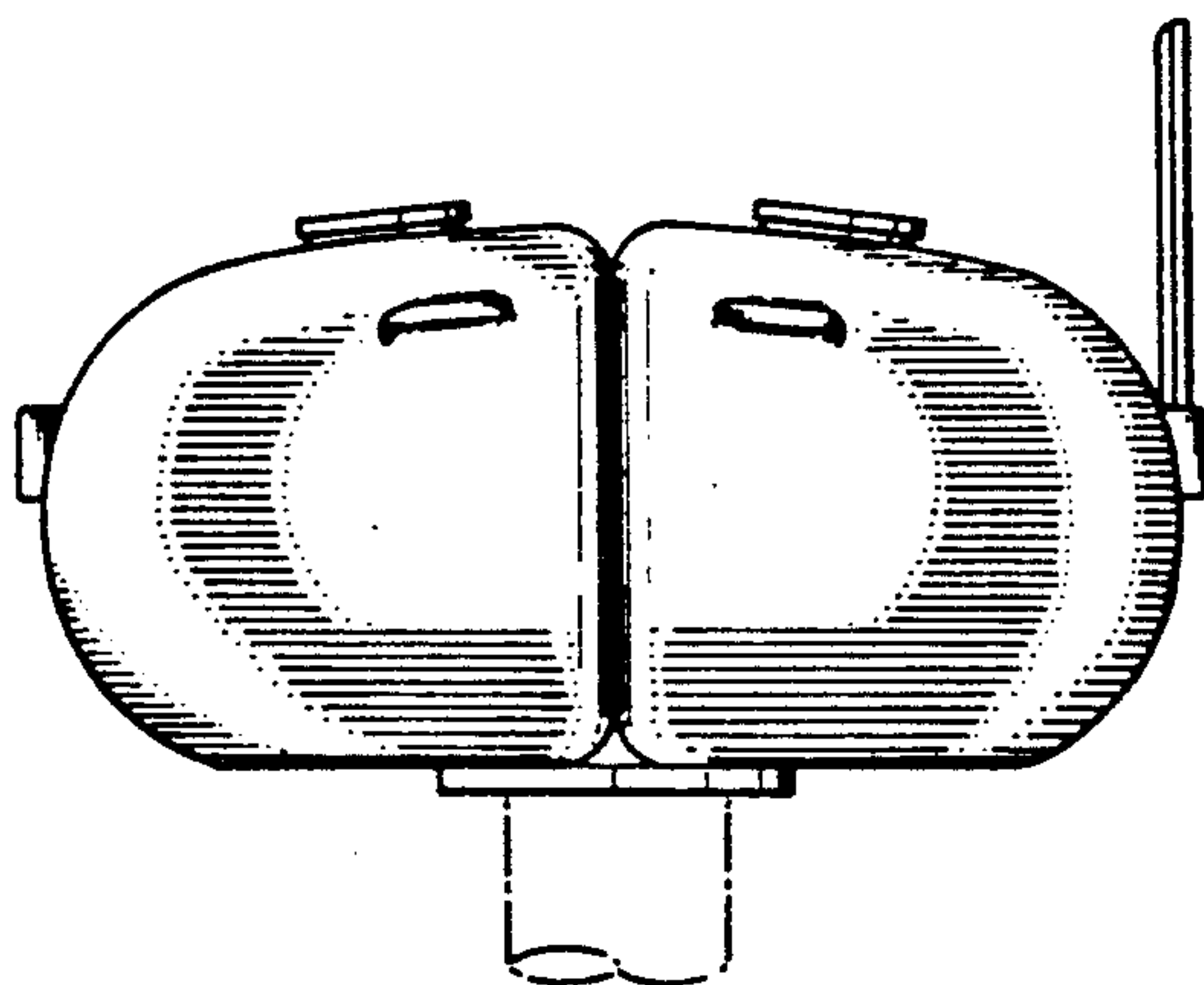
FIG. 8 is a right side elevational view of the embodiment of FIG. 7;

FIG. 9 is a front elevational view of the FIG. 7 embodiment;

FIG. 10 is a rear view of the FIG. 7 embodiment; and, FIG. 11 is a left side elevational view.

Primary Examiner—Alan P. Douglas
Assistant Examiner—Jeff Musgrove
Attorney, Agent, or Firm—Oldham, Oldham & Wilson Co.

The broken line showing of the posts in FIGS. 1-4 are for illustrative purposes only and forms no part of the claimed design.



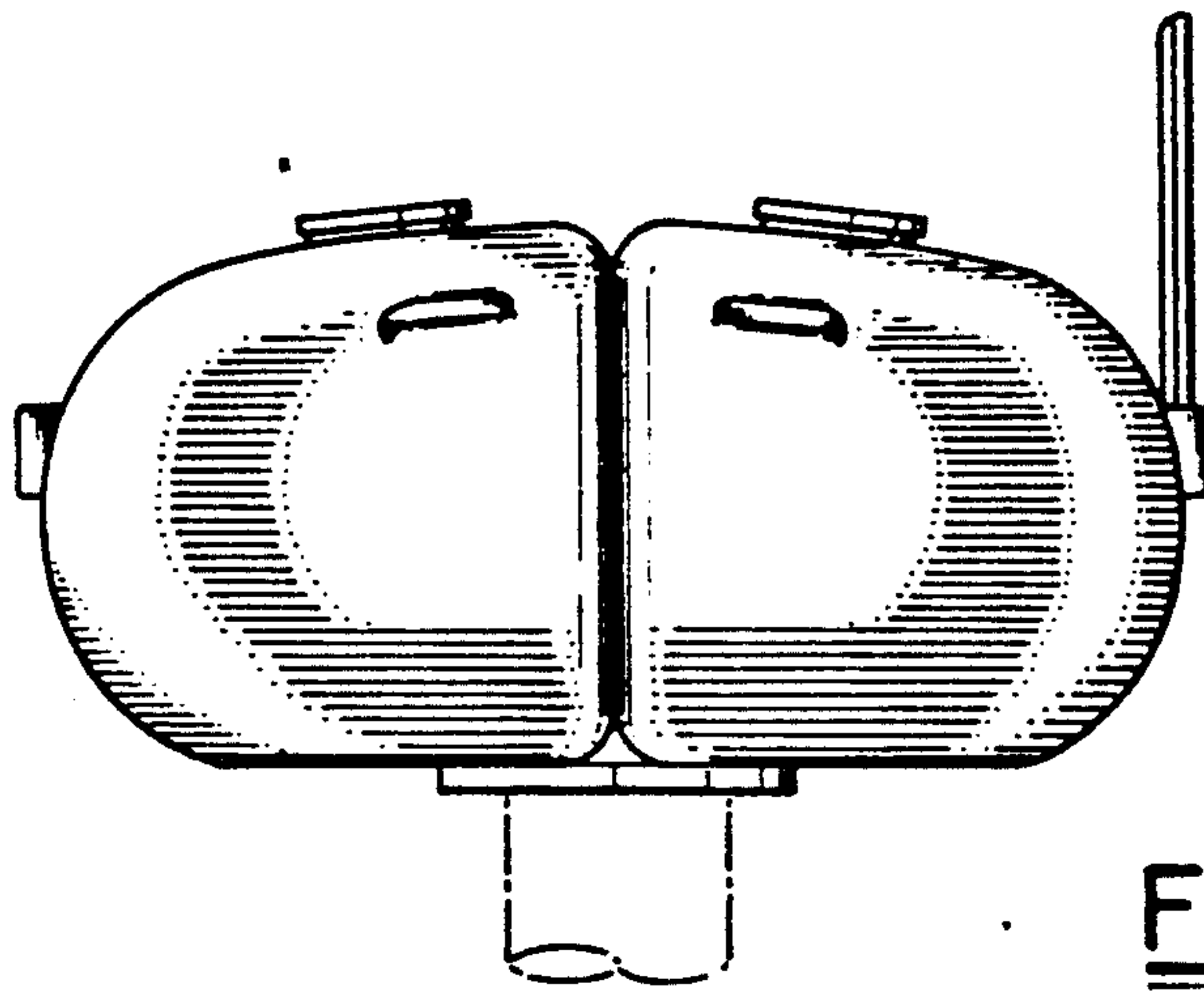


FIG.-1

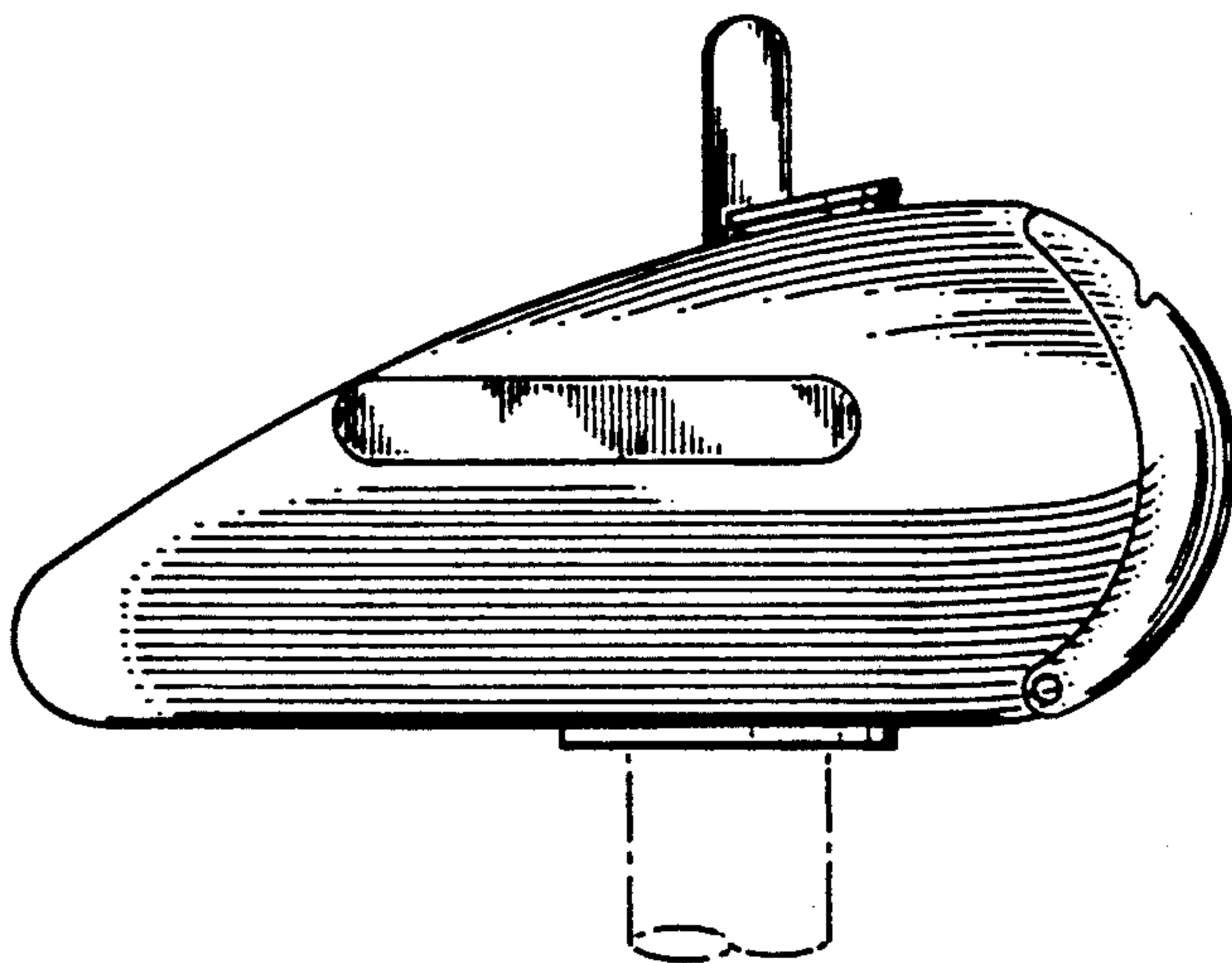


FIG.-2

FIG.-3

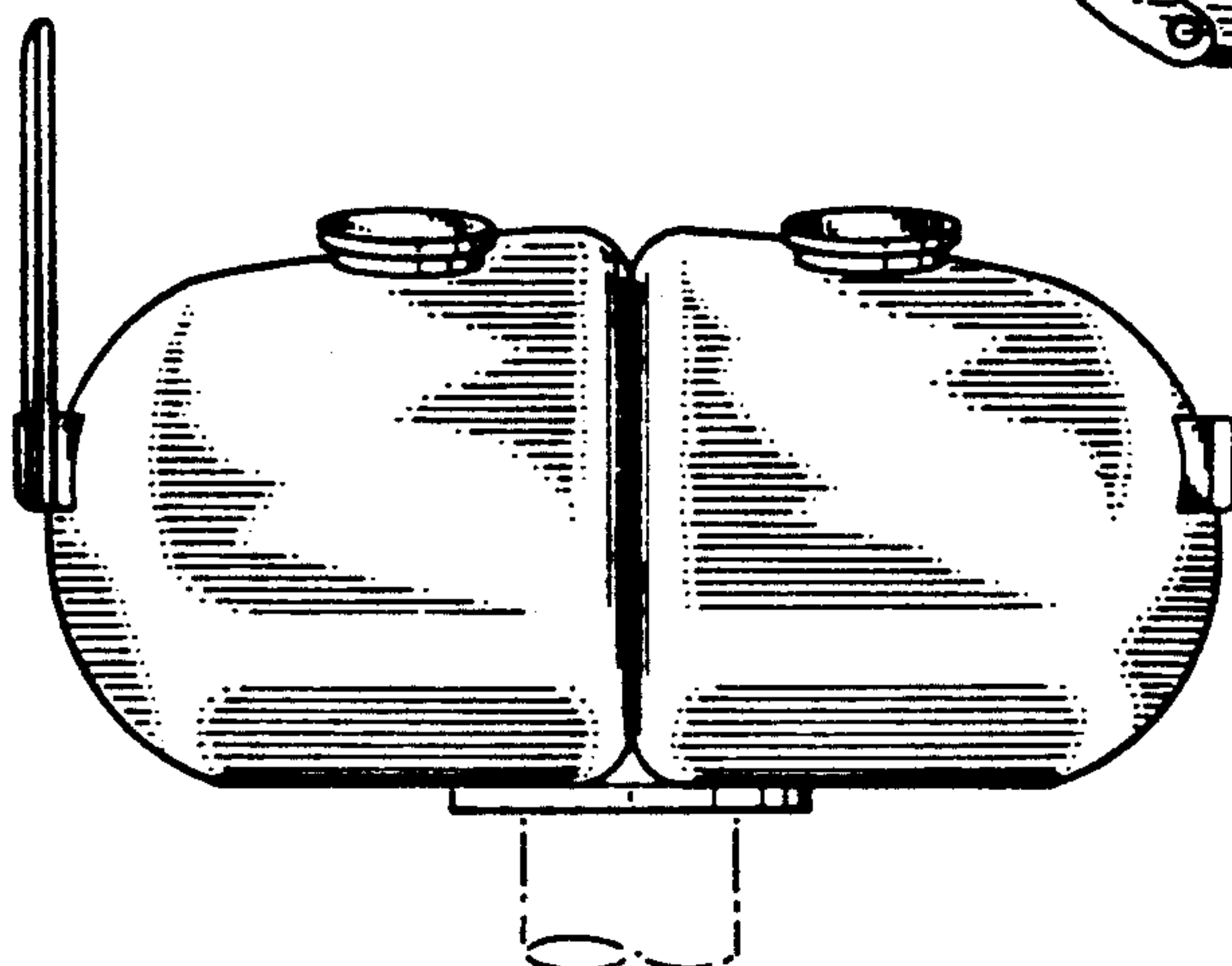
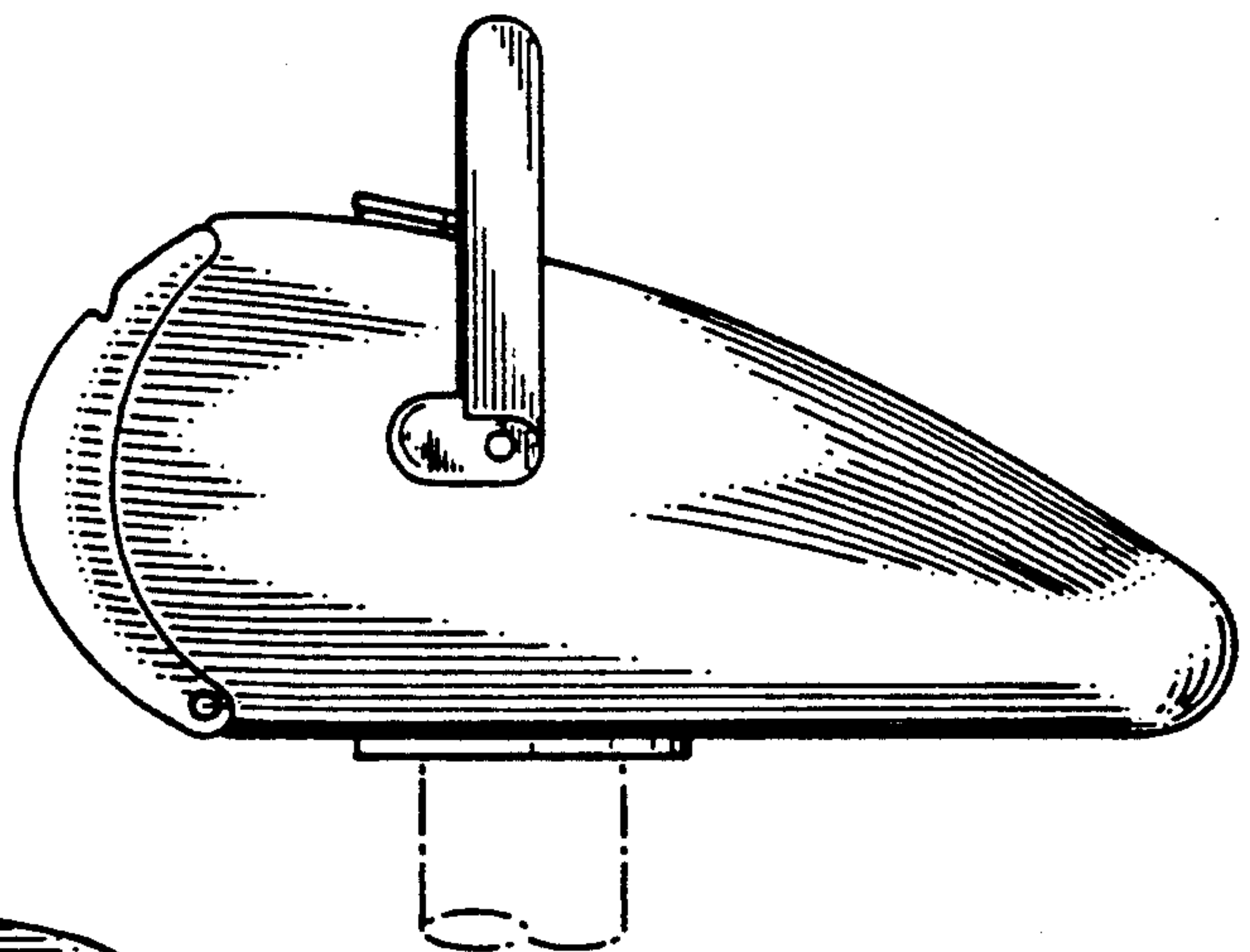


FIG.-4

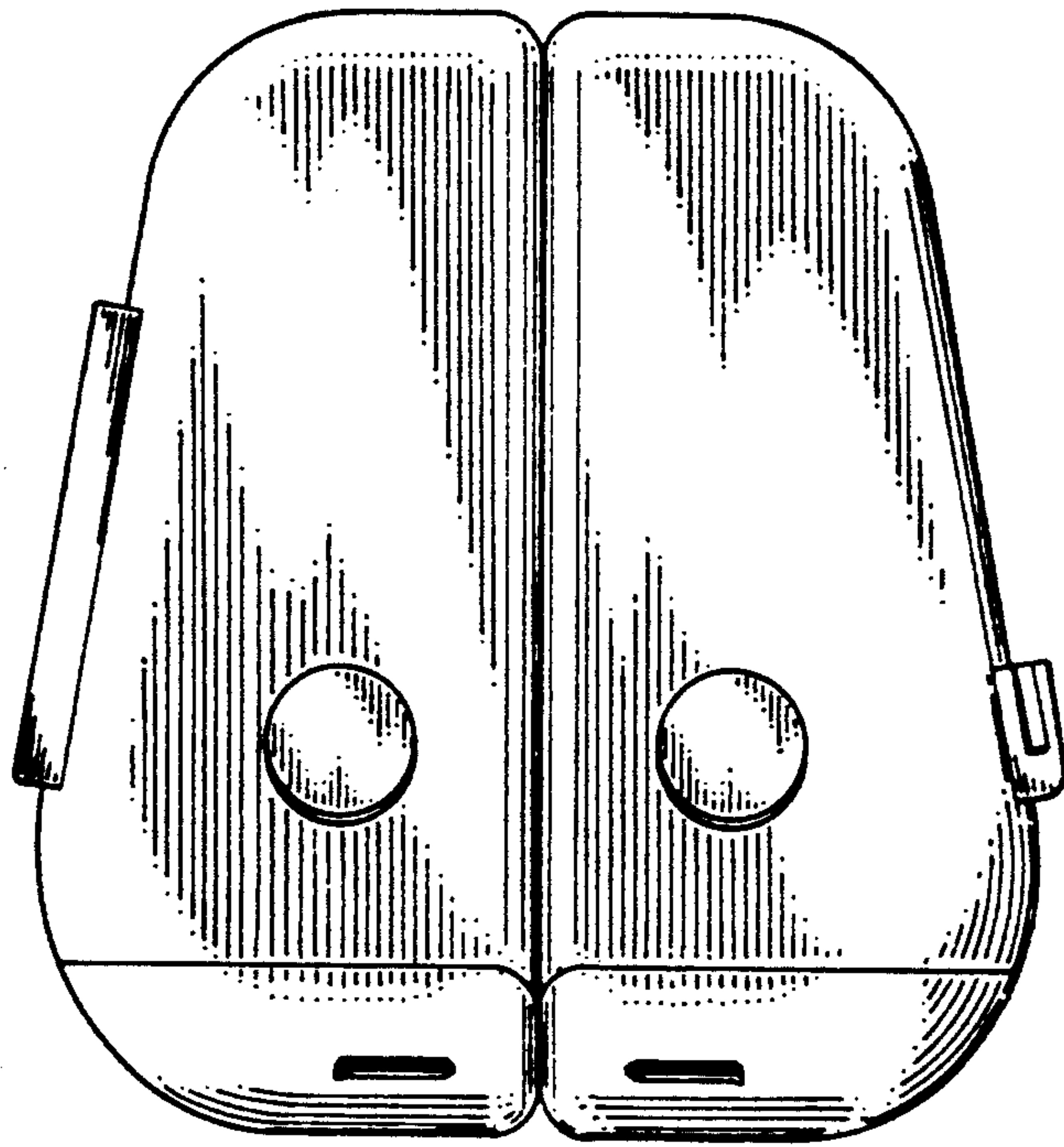


FIG. - 5

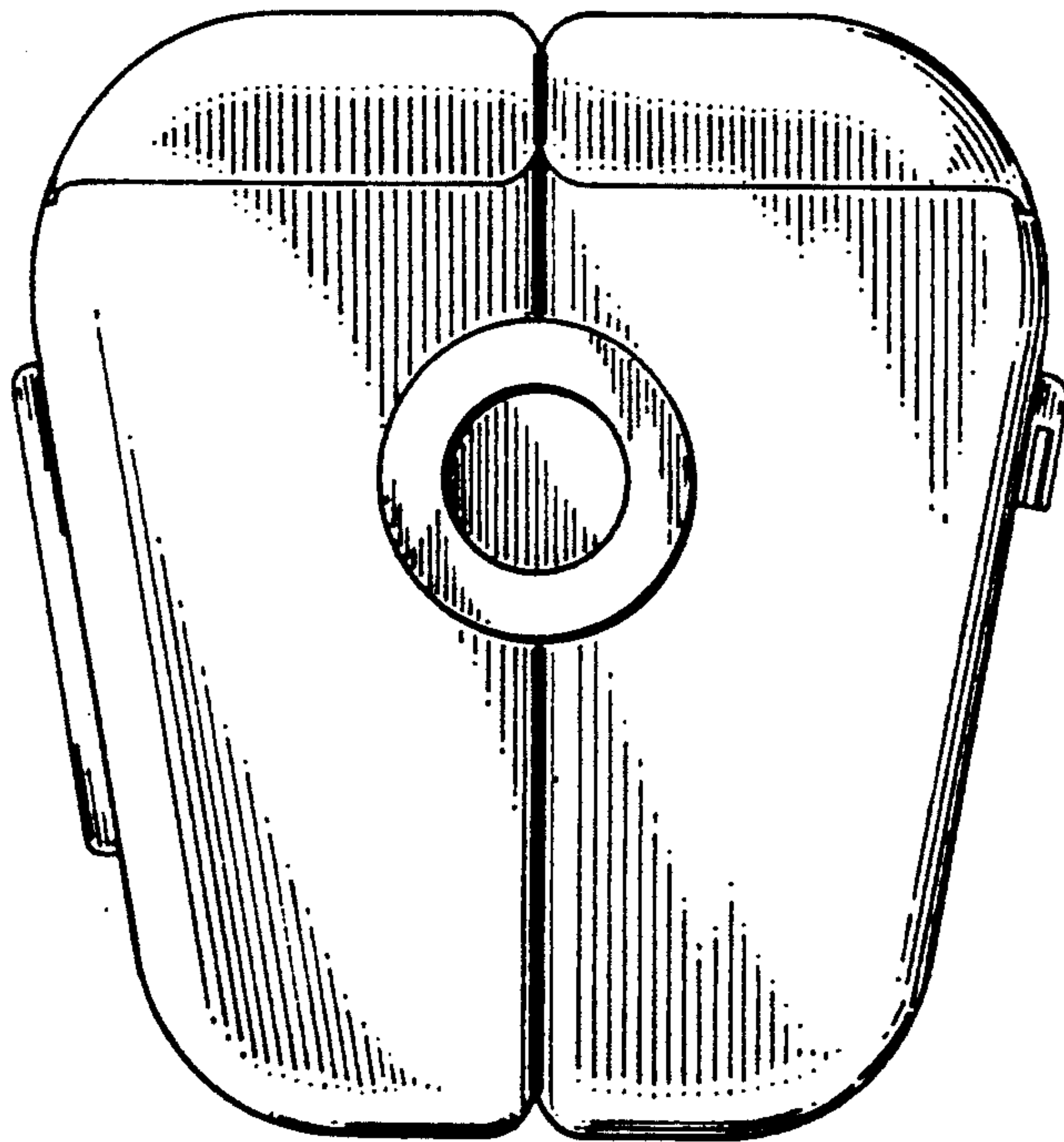


FIG. - 6

FIG.-7

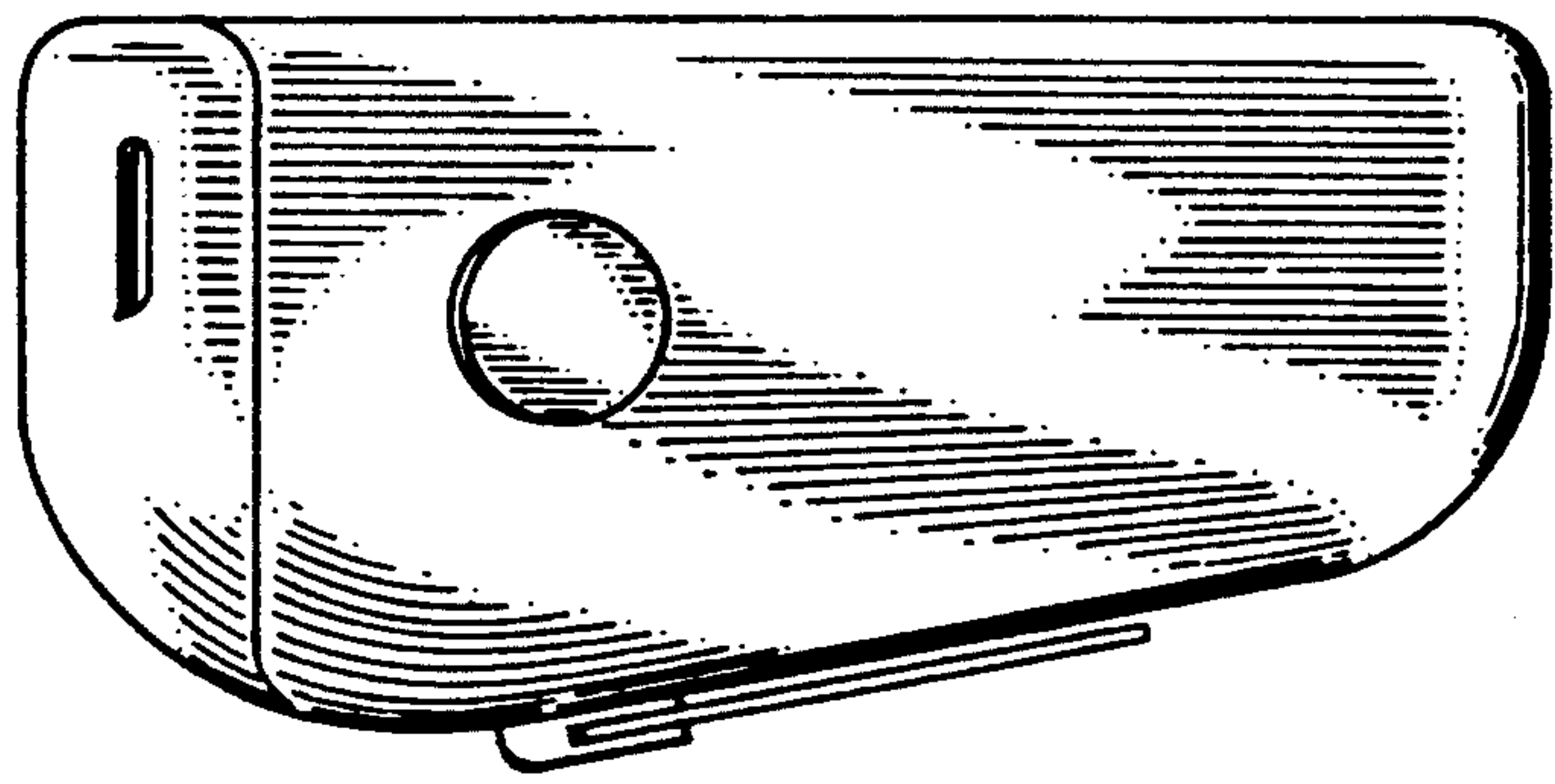


FIG.-8

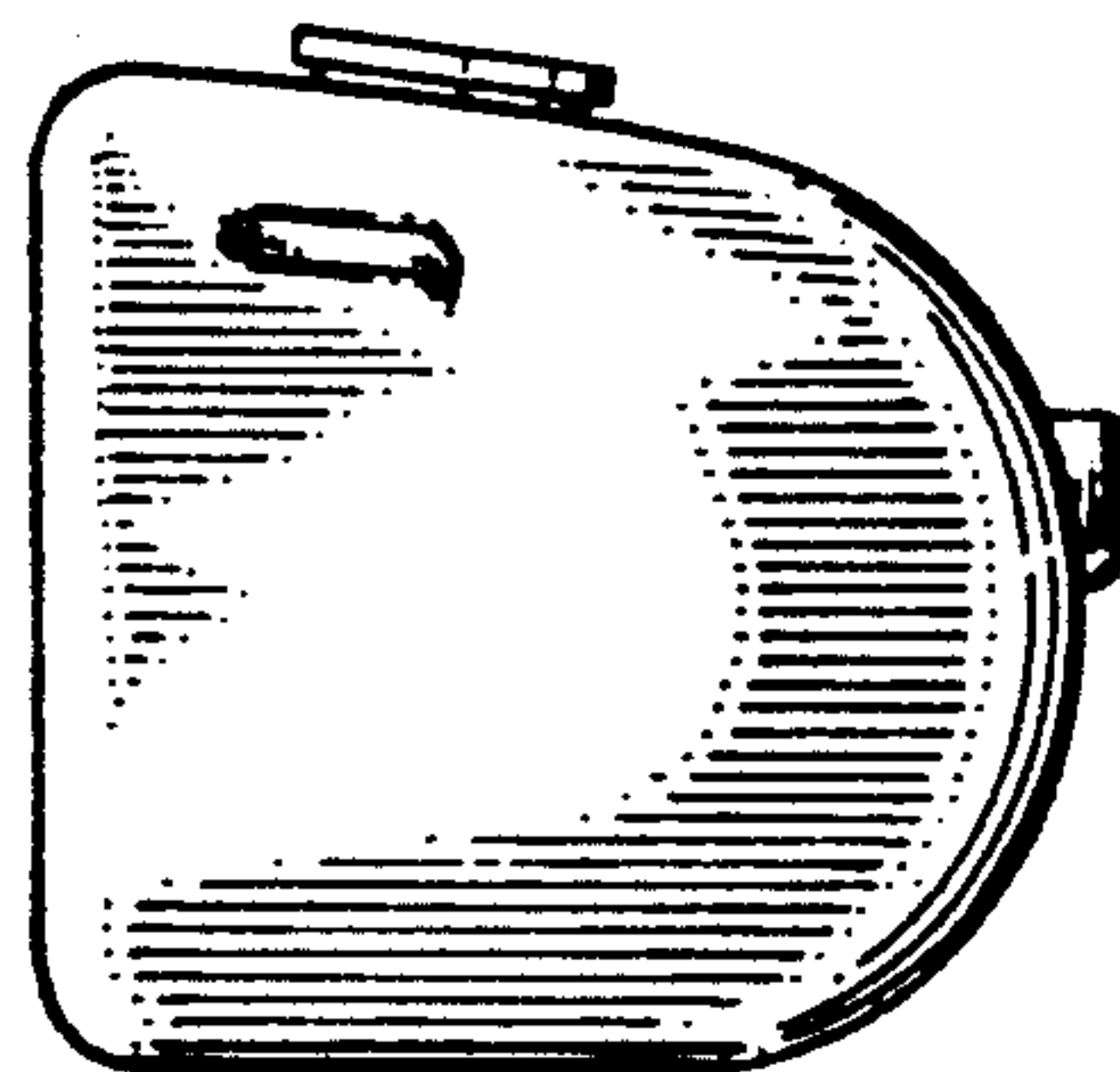
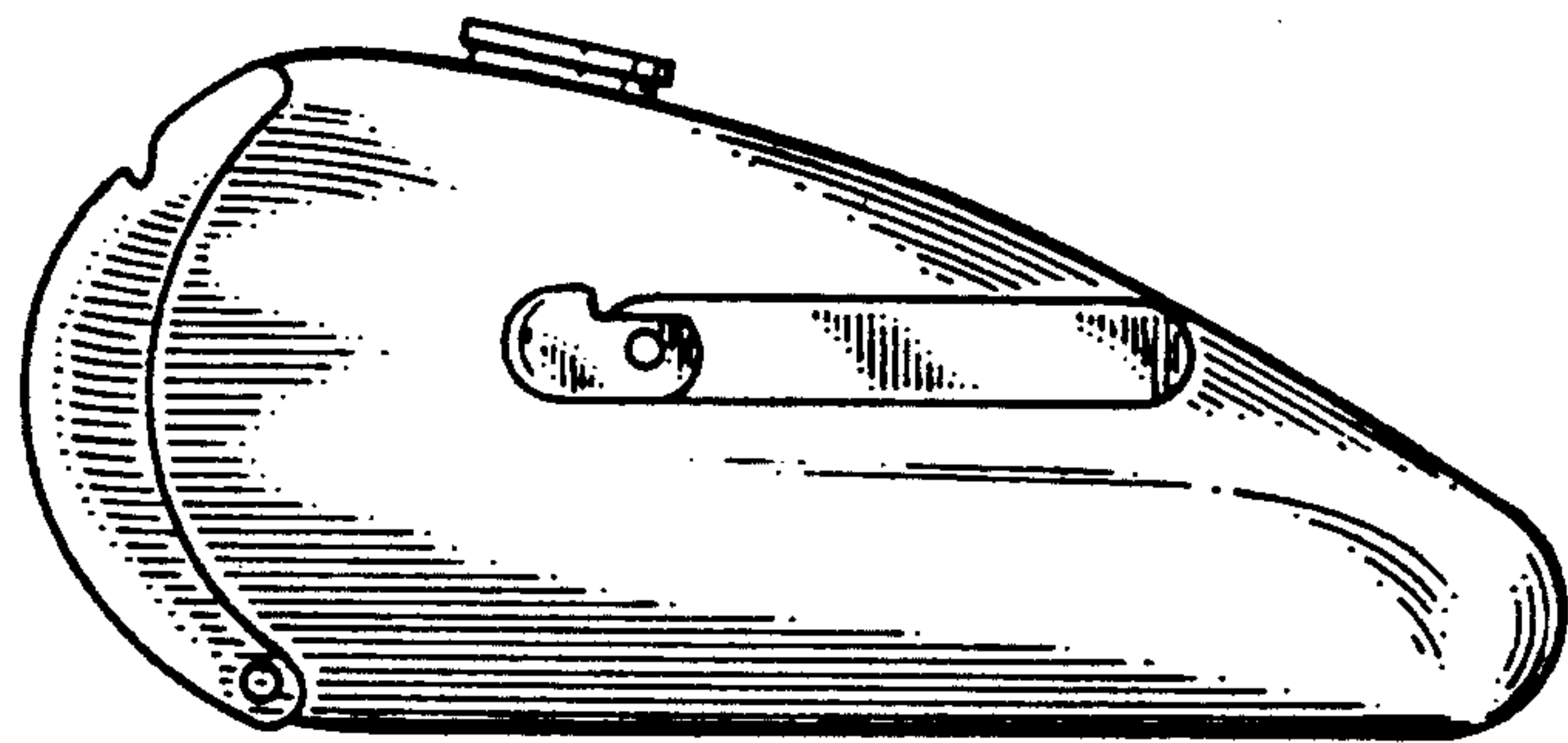


FIG.-9

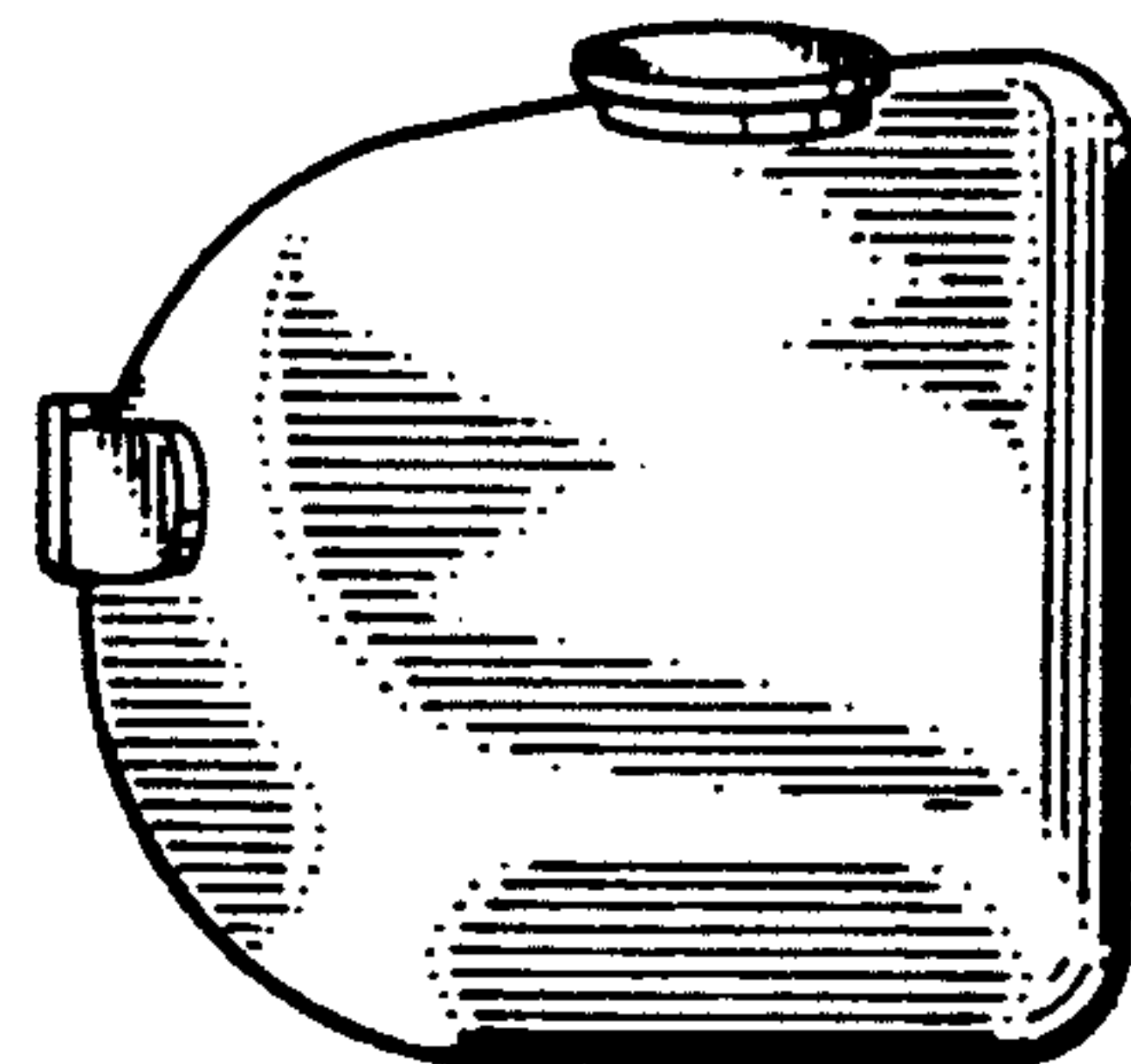


FIG.-10

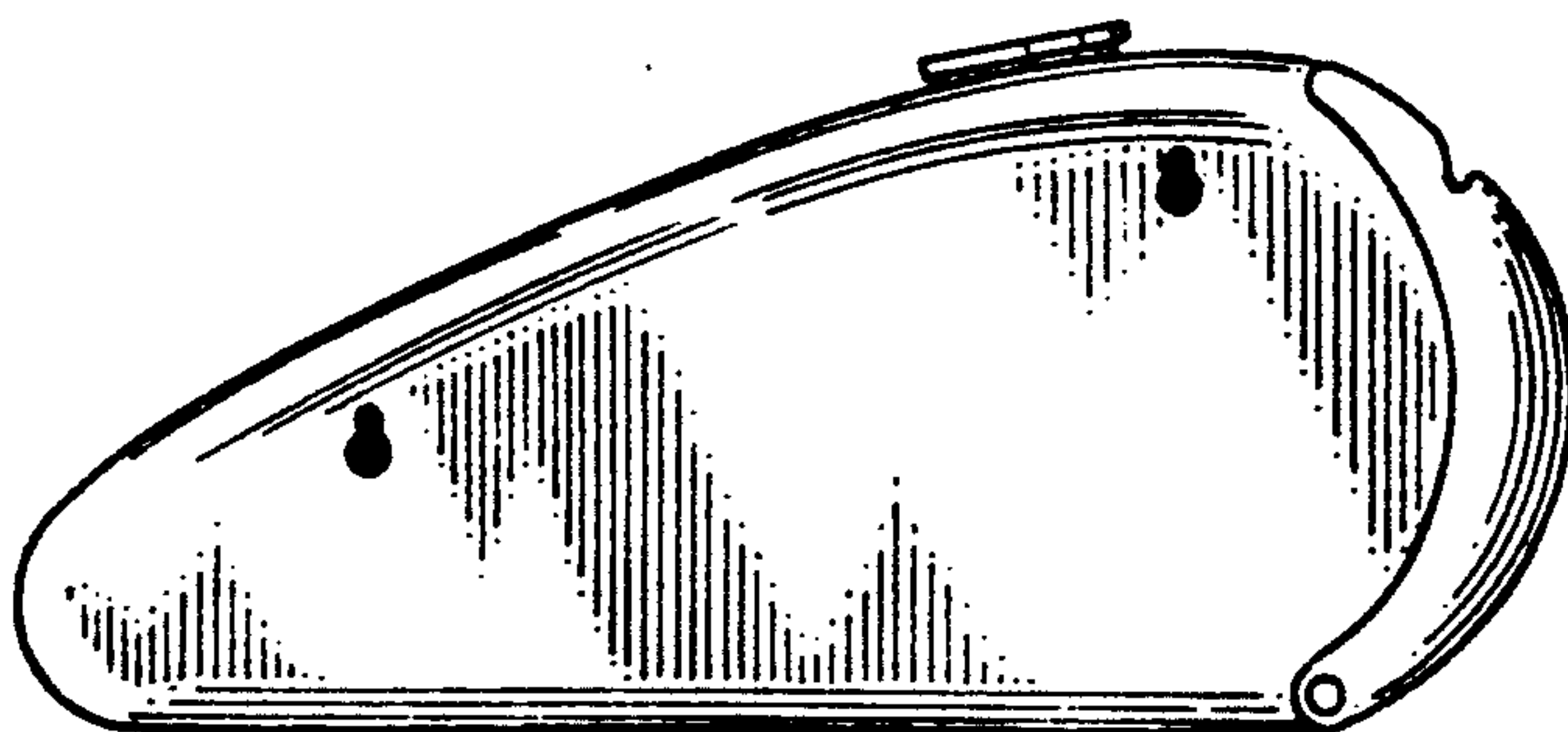


FIG.-11