



US00D342364S

United States Patent [19]

[11] Patent Number: **Des. 342,364**

Hobson

[45] Date of Patent: **** Dec. 14, 1993**

[54] **COMBINED CONTAINER WITH TRAY**

[75] Inventor: **Jody A. Hobson, Rocky River, Ohio**

[73] Assignee: **Rubbermaid Incorporated, Wooster, Ohio**

[**] Term: **14 Years**

[21] Appl. No.: **818,978**

[22] Filed: **Jan. 10, 1992**

[52] U.S. Cl. **D34/46; D9/425**

[58] Field of Search **D34/40-46; D9/424, 425, 432, 341-350, 456, 337; D3/30.1, 40; 220/500, 501, 521, 522, 528, 544, 553, 23.6, 23.83, 659, 641, 645, 648, 675, 912, DIG. 12; 206/524.6, 518, 557, 563, 503, 541, 564, 521, 528**

Housewares Products Division, 1147 Akron Road, Wooster, Ohio 44691, Publication date 1990.

Pp. 15, 17 and 18, Coolers, Gott Corporation, P.O. Box 652, Winfield, Kansas 67156, publication date 1987.

Pp. 10, 11 and 13, Coolers, Rubbermaid Incorporated, Specialty Products Division, 6250 N. Honeytown Road, Smithville, Ohio 44677, publication date 1991.

Primary Examiner—Prabhakar G. Deshmukh

Attorney, Agent, or Firm—Richard B. O'Planick; Lisa B. Riedesel

[57] **CLAIM**

The ornamental design for a combined container with tray, as shown and described.

DESCRIPTION

FIG. 1 is a perspective view of a combined container with tray showing my new design;

FIG. 2 is an enlarged scale fragmentary perspective view thereof showing the tray in an alternate position;

FIG. 3 is a perspective view thereof with the lid in place;

FIG. 4 is a perspective view thereof similar to FIG. 1, except the tray shown in an alternate position for clarity of illustration;

FIG. 5 is a top plan view of FIG. 1;

FIG. 6 is a front elevational view of FIG. 1, with tray removed for clarity of illustration; the rear elevational view being a mirror image thereof;

FIG. 7 is a bottom plan view of FIG. 1;

FIG. 8 is a left side elevational view of FIG. 1, with tray removed for clarity of illustration, the right side elevational view being a mirror image thereof; and,

FIG. 9 is an enlarged scale fragmentary sectional elevational view taken along line 9-9 of FIG. 2.

[56] **References Cited**

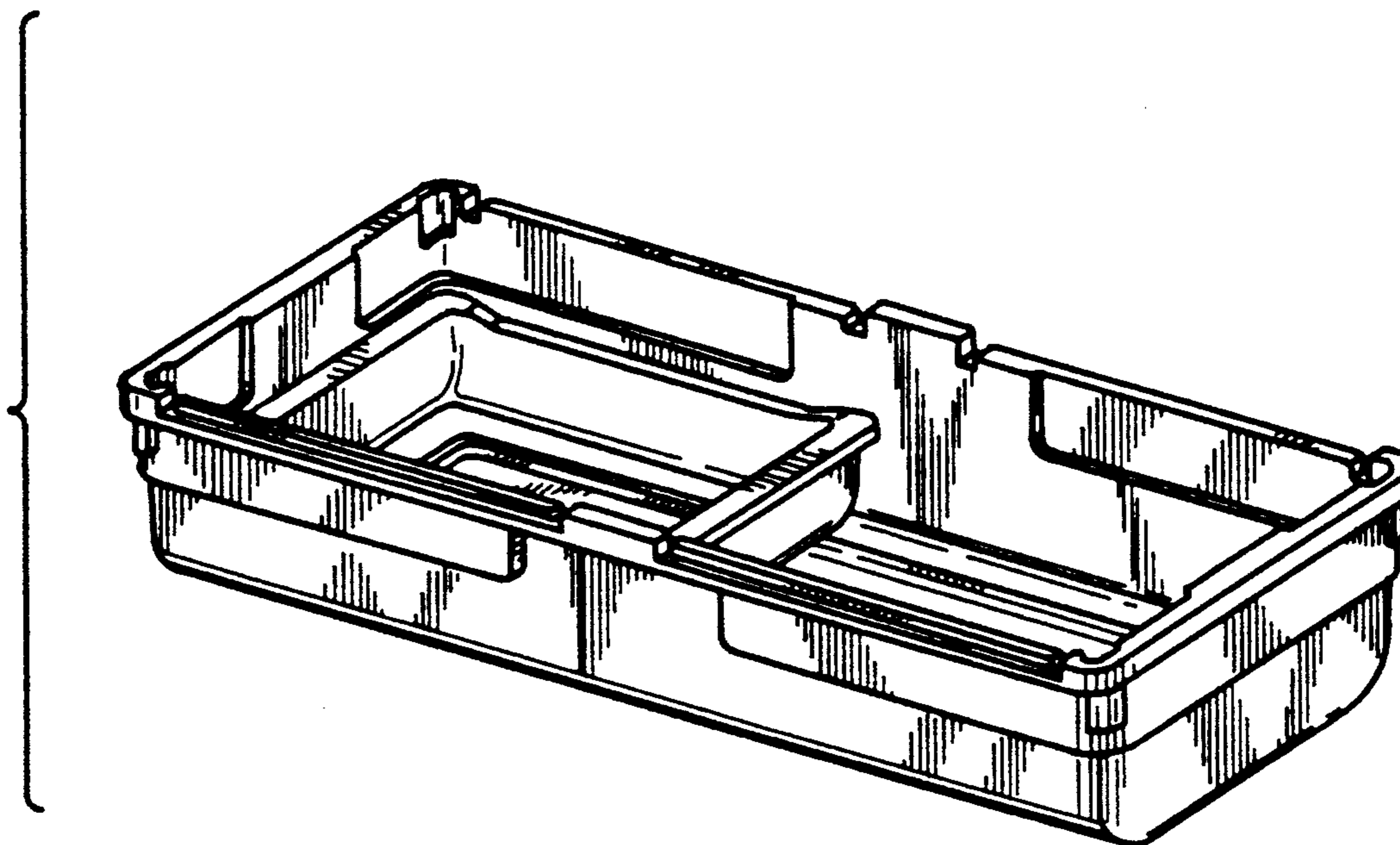
U.S. PATENT DOCUMENTS

D. 204,787	5/1966	Braun	D34/45
D. 229,894	1/1974	Reifers	D9/425
D. 258,721	3/1981	Steeg	.	
D. 285,413	9/1986	Carlson	D9/425 X
D. 298,308	11/1988	Van Kirk	D3/40 X
D. 302,774	8/1989	Murphy	.	
D. 319,016	8/1991	Kahl	.	
2,944,694	7/1960	Kinsey	220/23.83 X
4,499,998	2/1985	Carlson	206/541
4,951,814	8/1990	Belmont	206/564 X
4,981,232	1/1991	Wynn	220/528 X
5,174,452	12/1992	Wang	220/521 X

OTHER PUBLICATIONS

Instruction Sheet, Container, Delta, Inc., 4800 Krueger Drive, Jonesboro, Arkansas 72401, publication date Oct., 1988.

Pages 22 and 23, Containers, Rubbermaid Incorporated,



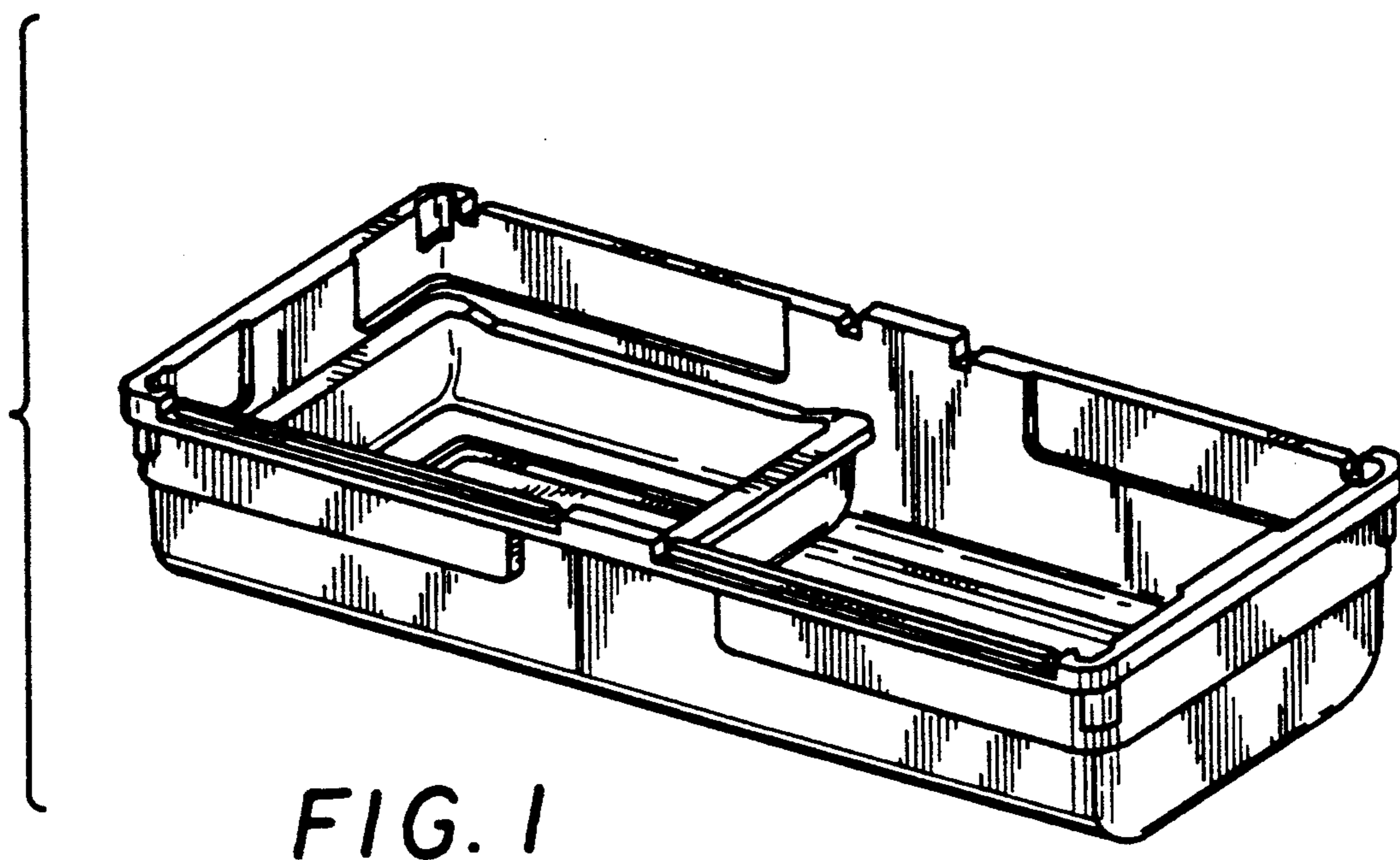


FIG. 1

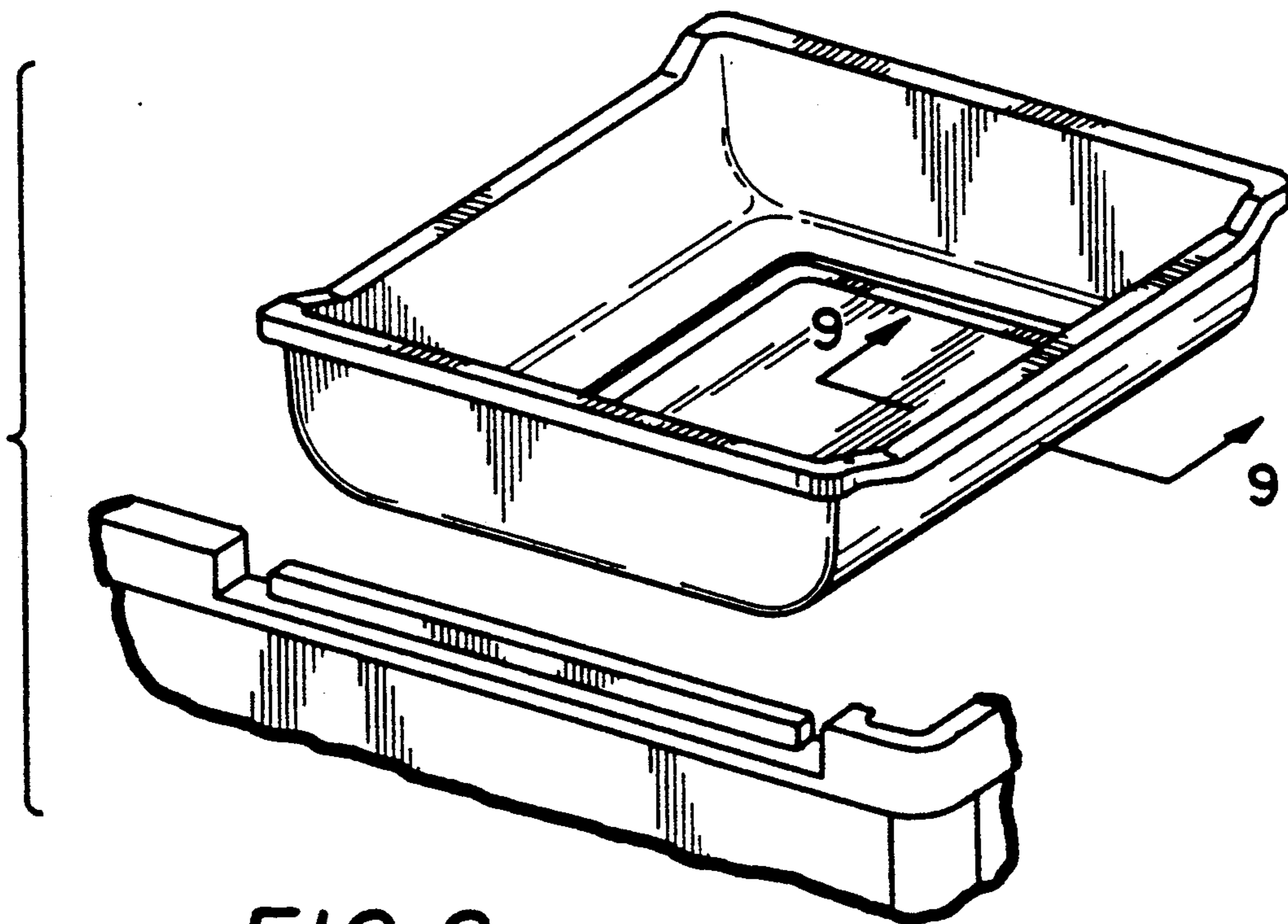


FIG. 2

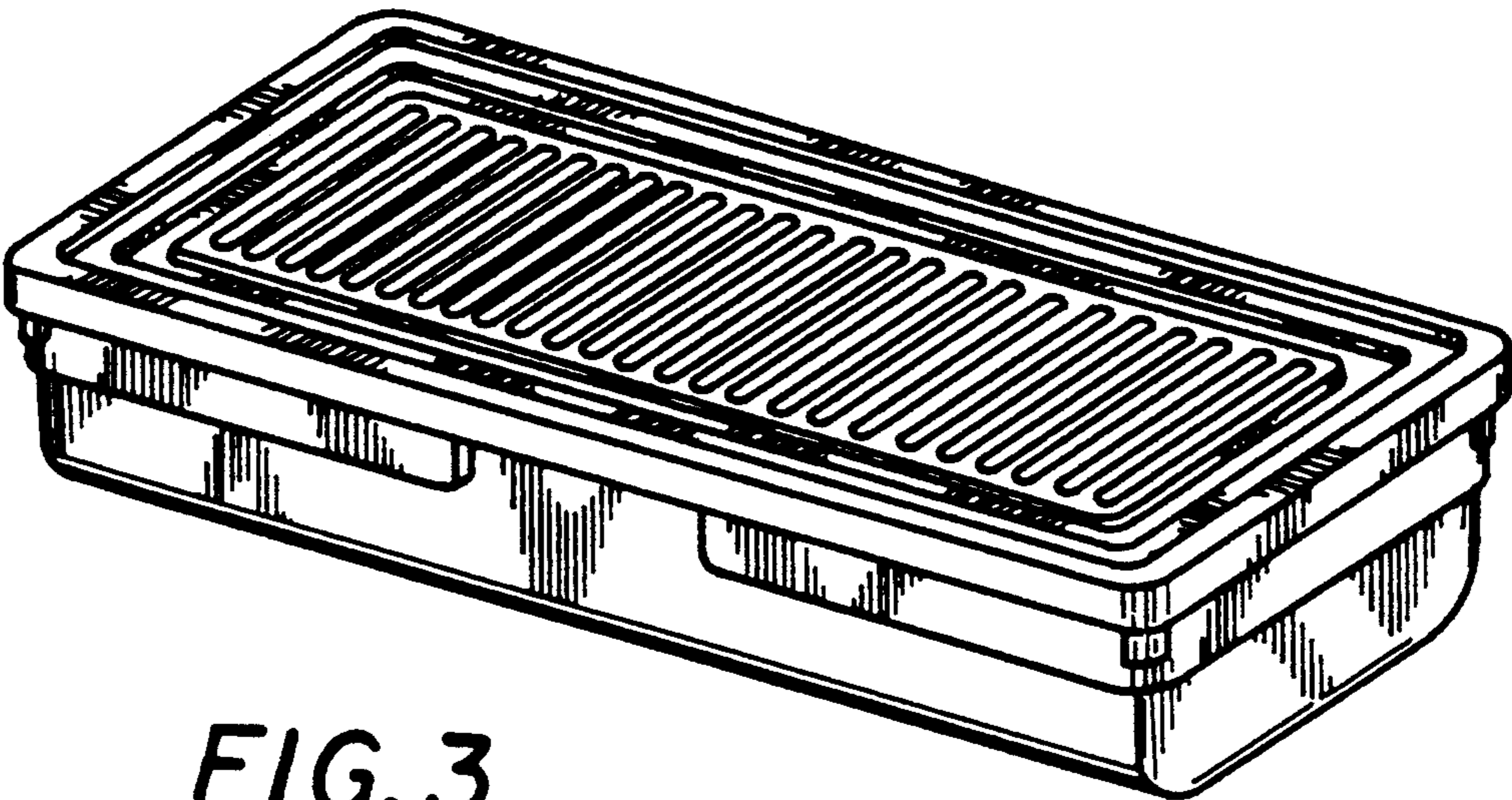


FIG. 3

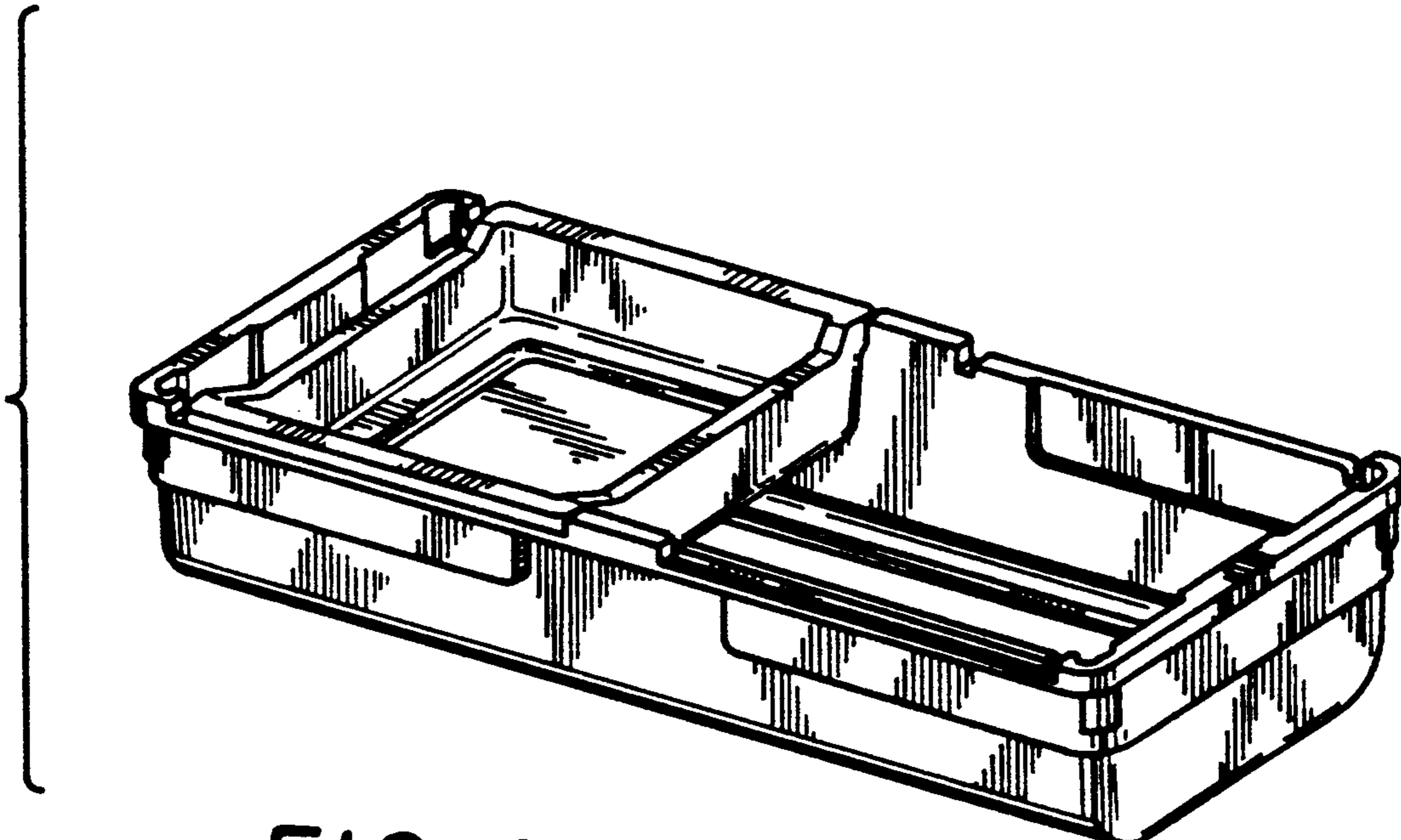


FIG. 4

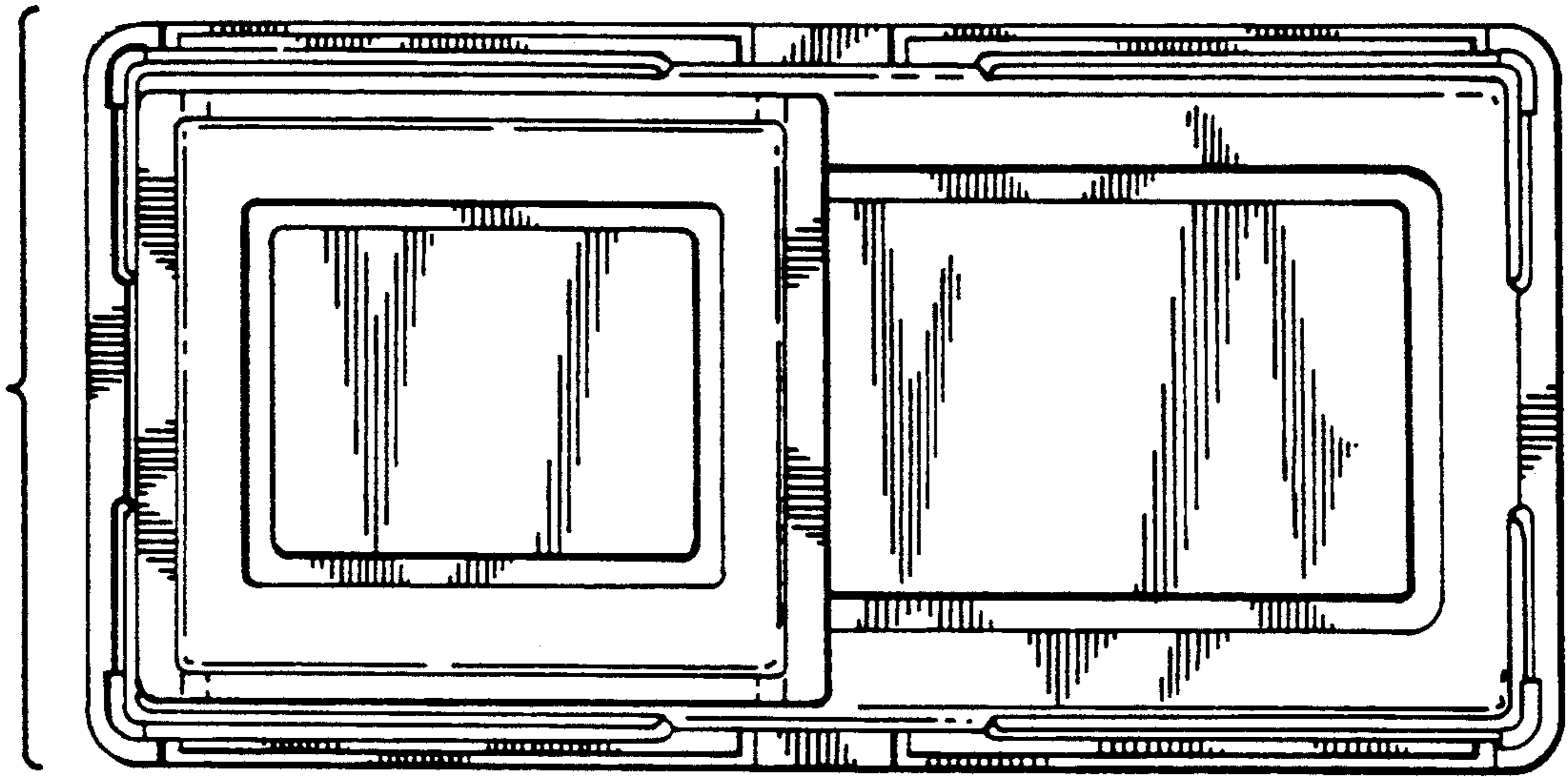


FIG. 5

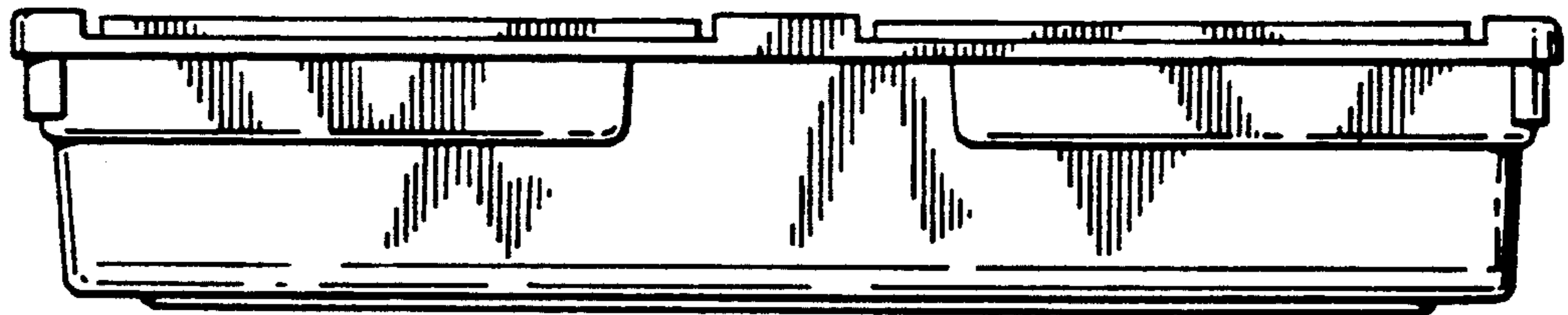


FIG. 6

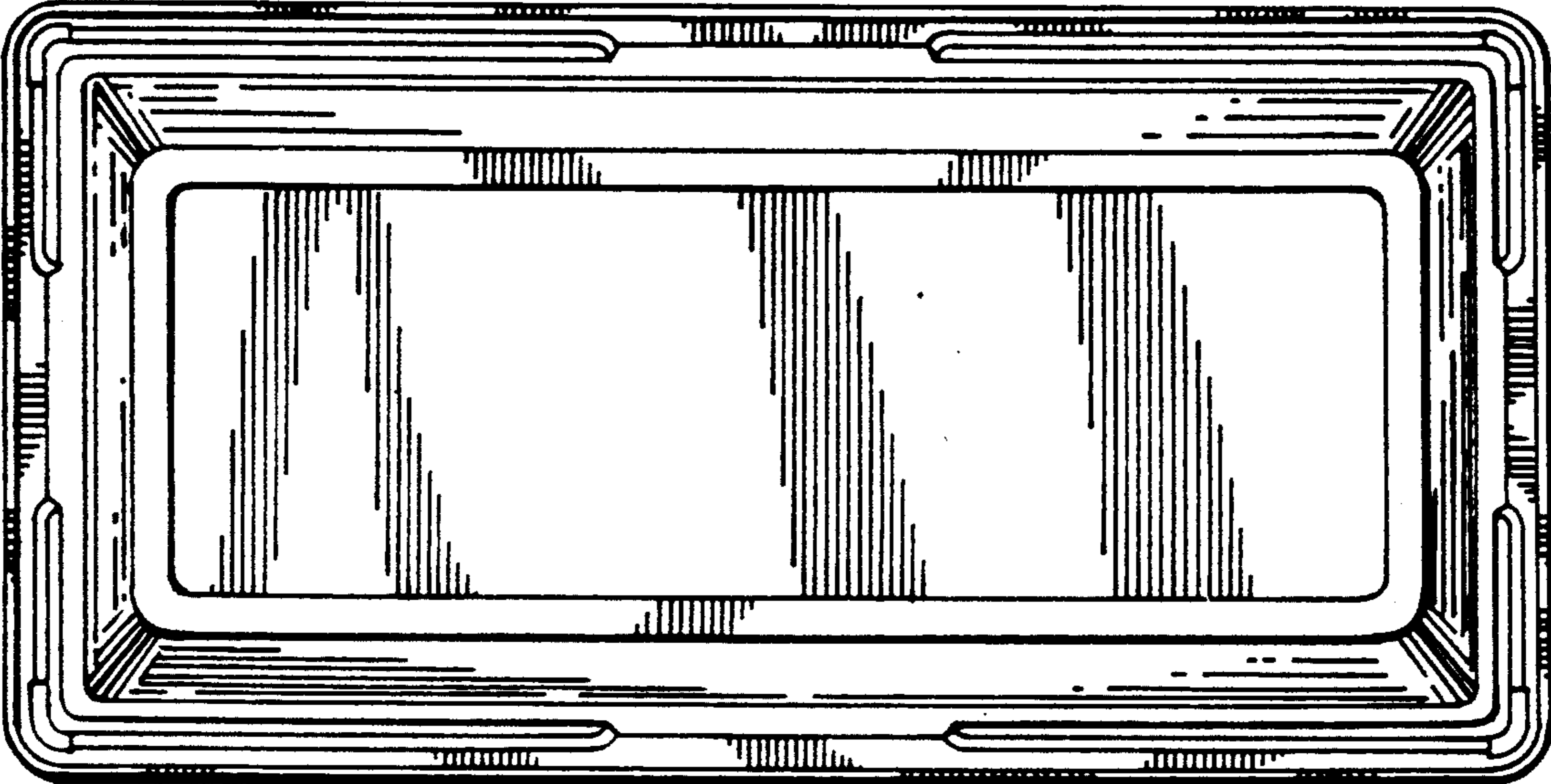


FIG. 7

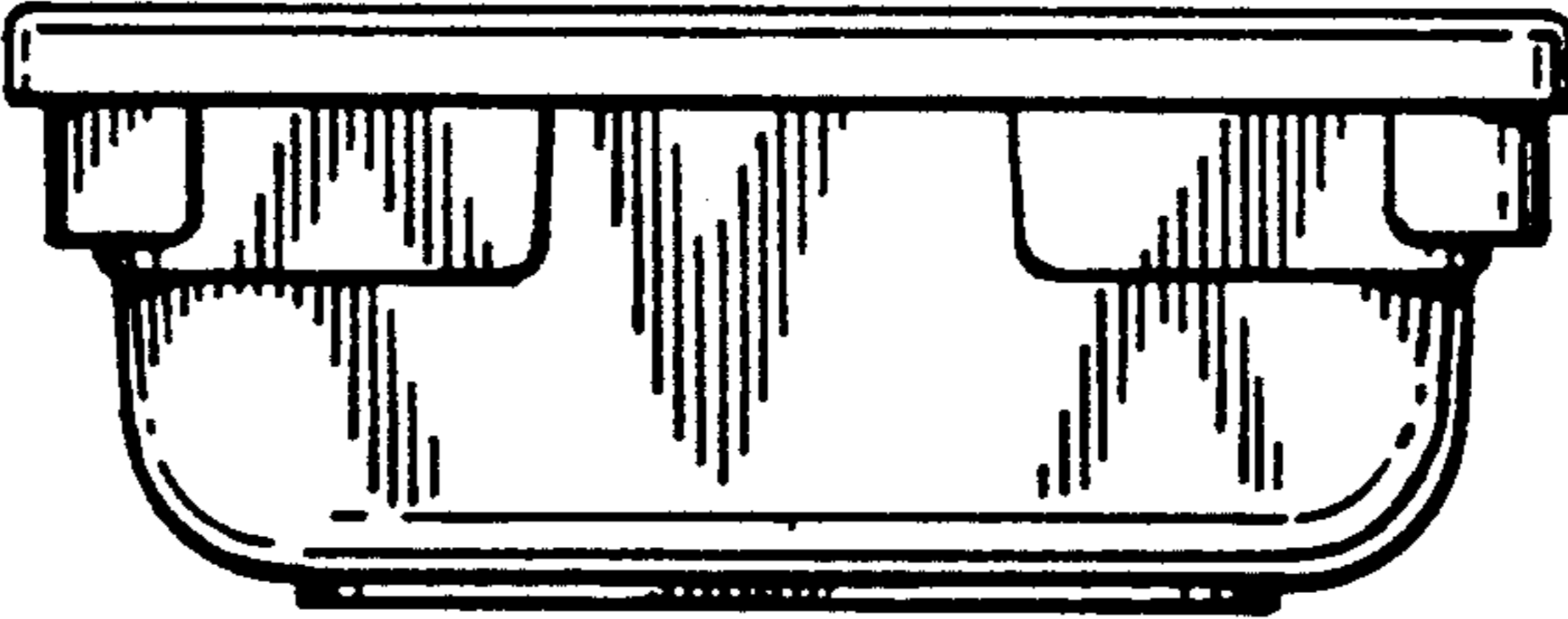


FIG. 8

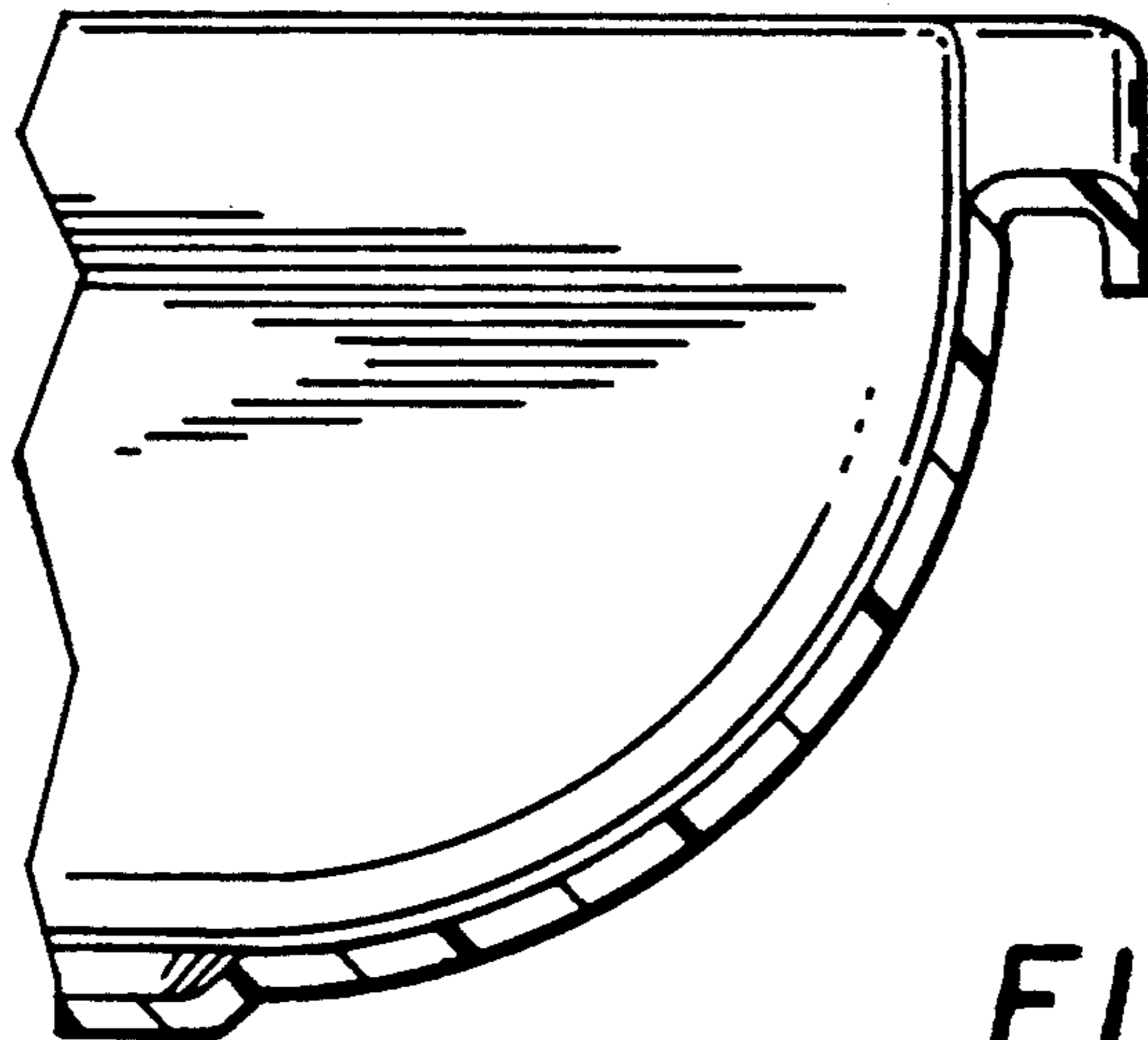


FIG. 9