



US00D342363S

# United States Patent [19]

[11] Patent Number: **Des. 342,363**

Stein

[45] Date of Patent: **\*\* Dec. 14, 1993**

[54] **COLLAPSIBLE LUGGAGE CART**

[75] Inventor: **Edward B. Stein, Chicago, Ill.**

[73] Assignee: **Stebco Products Corporation, Chicago, Ill.**

[\*\*] Term: **14 Years**

[21] Appl. No.: **860,349**

[22] Filed: **Mar. 30, 1992**

[52] U.S. Cl. .... **D34/26; D34/24**

[58] Field of Search ..... **D34/12, 24, 25, 26; 280/655, 30, 47.18, 654**

[56] **References Cited**

**U.S. PATENT DOCUMENTS**

4,896,897	1/1990	Wilhelm	280/655
5,024,458	6/1991	Kazmark et al.	280/655
5,161,811	11/1992	Cheng	280/655

*Primary Examiner*—Kay H. Chin  
*Attorney, Agent, or Firm*—Charles F. Meroni, Jr.

[57] **CLAIM**

The ornamental design for a collapsible luggage cart, as shown and described.

**DESCRIPTION**

FIG. 1 is a front perspective view of my collapsible luggage cart;

FIG. 2 is a rear perspective view of my collapsible luggage cart, as seen in FIG. 1;

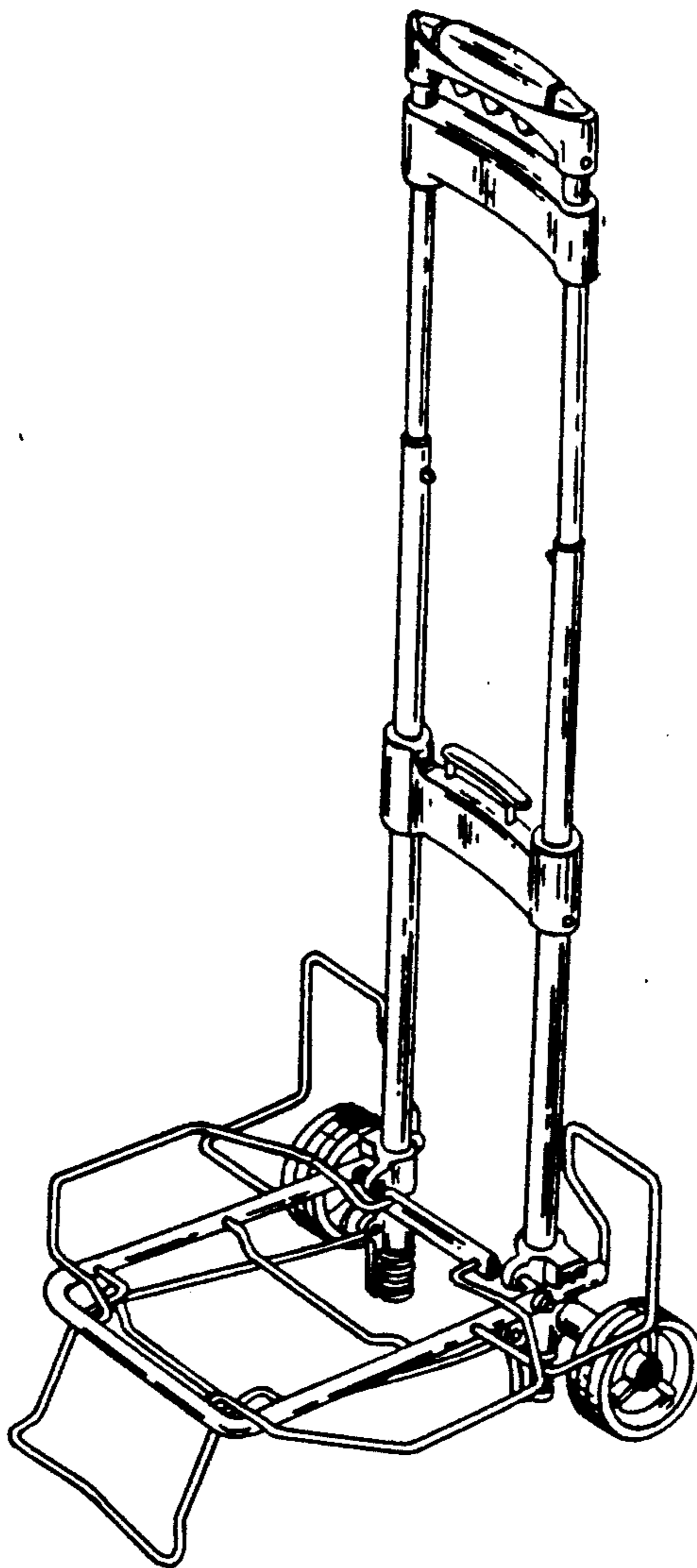
FIG. 3 is a front view of my collapsible luggage cart showing the handle assembly in an expanded position;

FIG. 4 is a rear view of the collapsible luggage cart shown in FIG. 3;

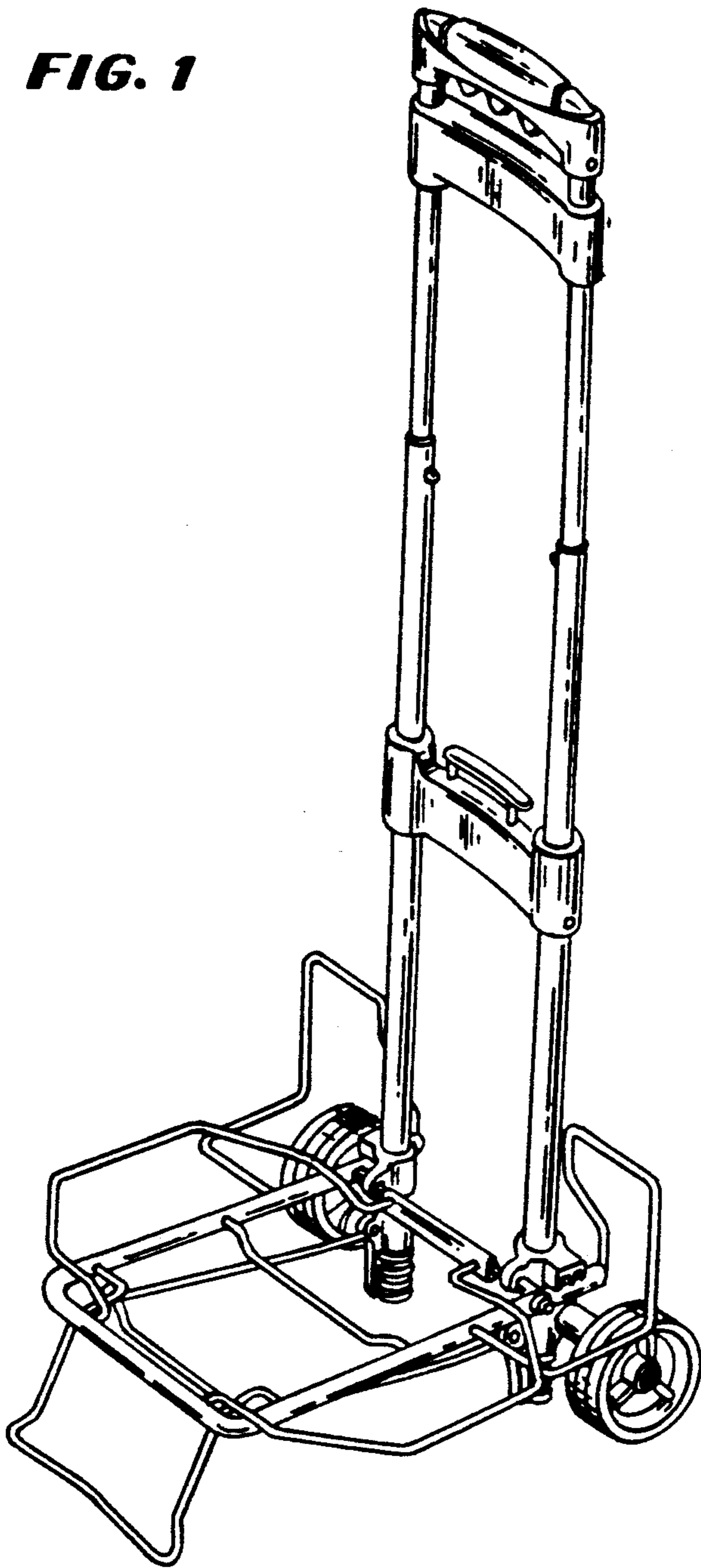
FIG. 5 is a side view of the collapsible luggage cart shown in FIG. 3;

FIG. 6 is a top view looking down on the cart shown in FIG. 3; and,

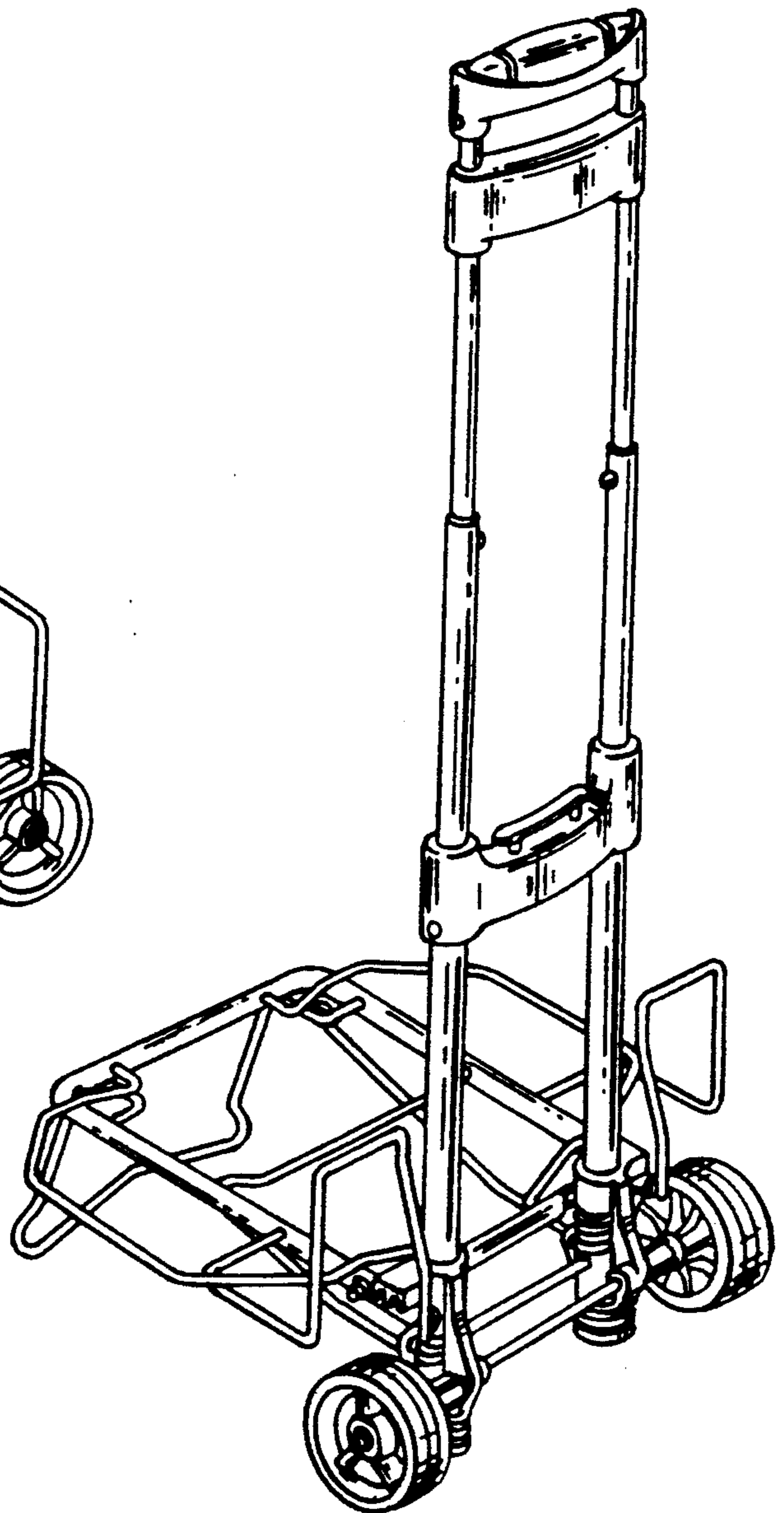
FIG. 7 is a bottom view of the cart shown in FIG. 3.

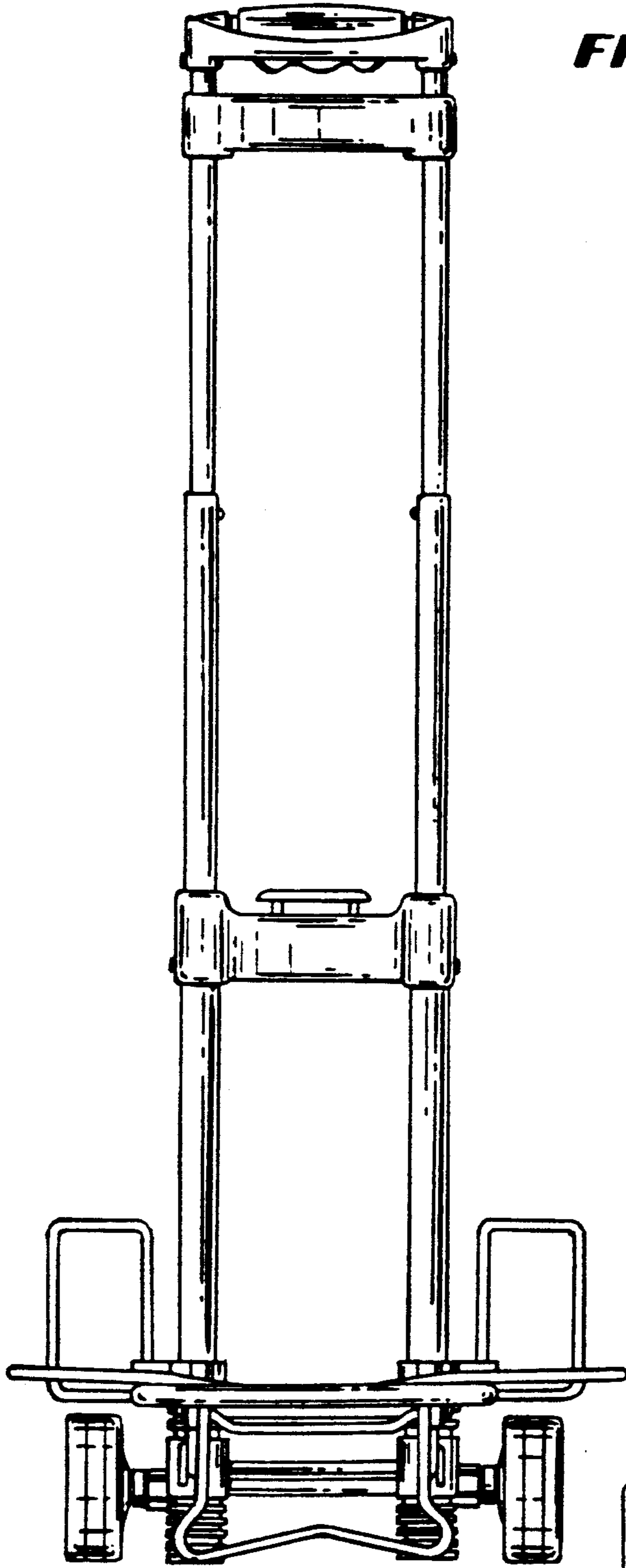


**FIG. 1**

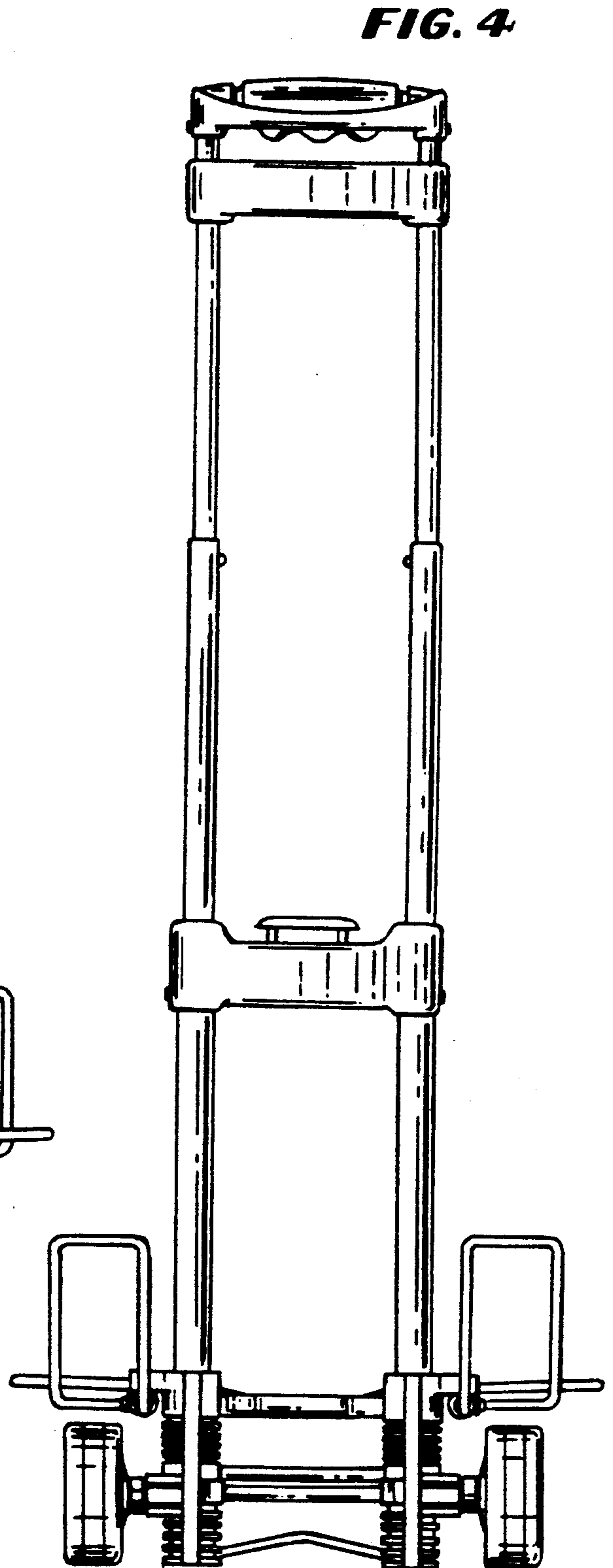


**FIG. 2**



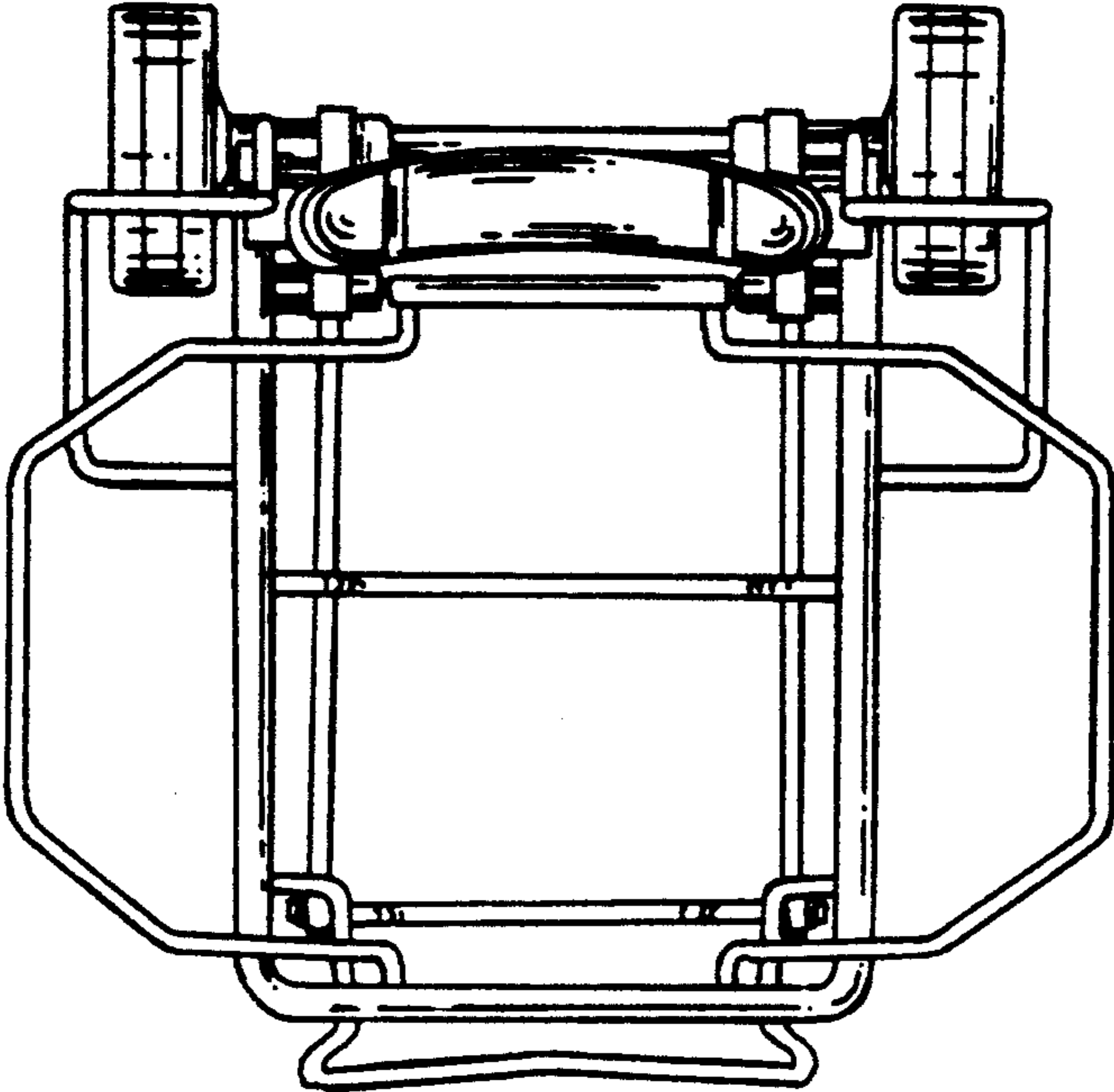


**FIG. 3**

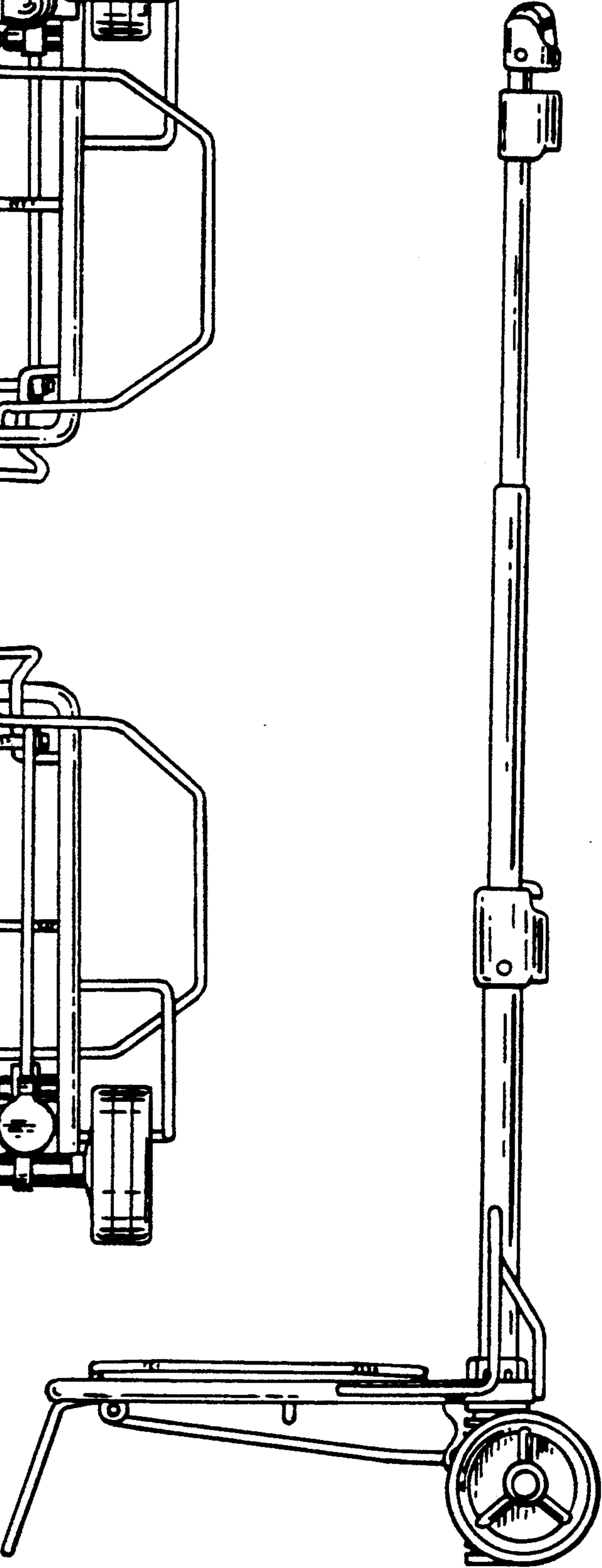


**FIG. 4**

**FIG. 6**



**FIG. 5**



**FIG. 7**

