



US00D342361S

# United States Patent [19]

[11] Patent Number: **Des. 342,361**

Williams et al.

[45] Date of Patent: **\*\* Dec. 14, 1993**

[54] **MOBILE SUPPORT UNIT FOR A WIRE SPOOL**

D. 263,210	3/1982	Langen et al.	.....	D34/24
D. 295,100	4/1988	Talton et al.	.....	D34/24
4,358,123	11/1982	Richards	.....	280/47.13 R
4,583,904	4/1986	Maxwell	.....	D34/28 X

[76] Inventors: **David Williams**, 10237 - 127th Street, Surrey, British Columbia, Canada, V3V 5J8; **Gustav Berkelaar**, 12077 - 101A Street, Surrey, British Columbia, Canada, V3V 2Z7

*Primary Examiner*—Wallace R. Burke  
*Assistant Examiner*—H. Baynham  
*Attorney, Agent, or Firm*—Norman M. Cameron

[\*\*] Term: **14 Years**

[57] **CLAIM**

[21] Appl. No.: **844,703**

The ornamental design for the mobile support unit for a wire spool, as shown.

[22] Filed: **Mar. 3, 1992**

**DESCRIPTION**

[52] U.S. Cl. .... **D34/24**

FIG. 1 is a top, front isometric view of the mobile support unit for a wire spool;

[58] Field of Search ..... D8/349, 380; D34/24, D34/28; 280/47.24, 47.13 R

FIG. 2 is a top plan thereof;

[56] **References Cited**

FIG. 3 is a side elevation thereof showing the side opposite FIG. 1;

**U.S. PATENT DOCUMENTS**

FIG. 4 is a bottom plan thereof;

D. 130,351 11/1941 Hunt ..... D34/24

FIG. 5 is a front view thereof; and,

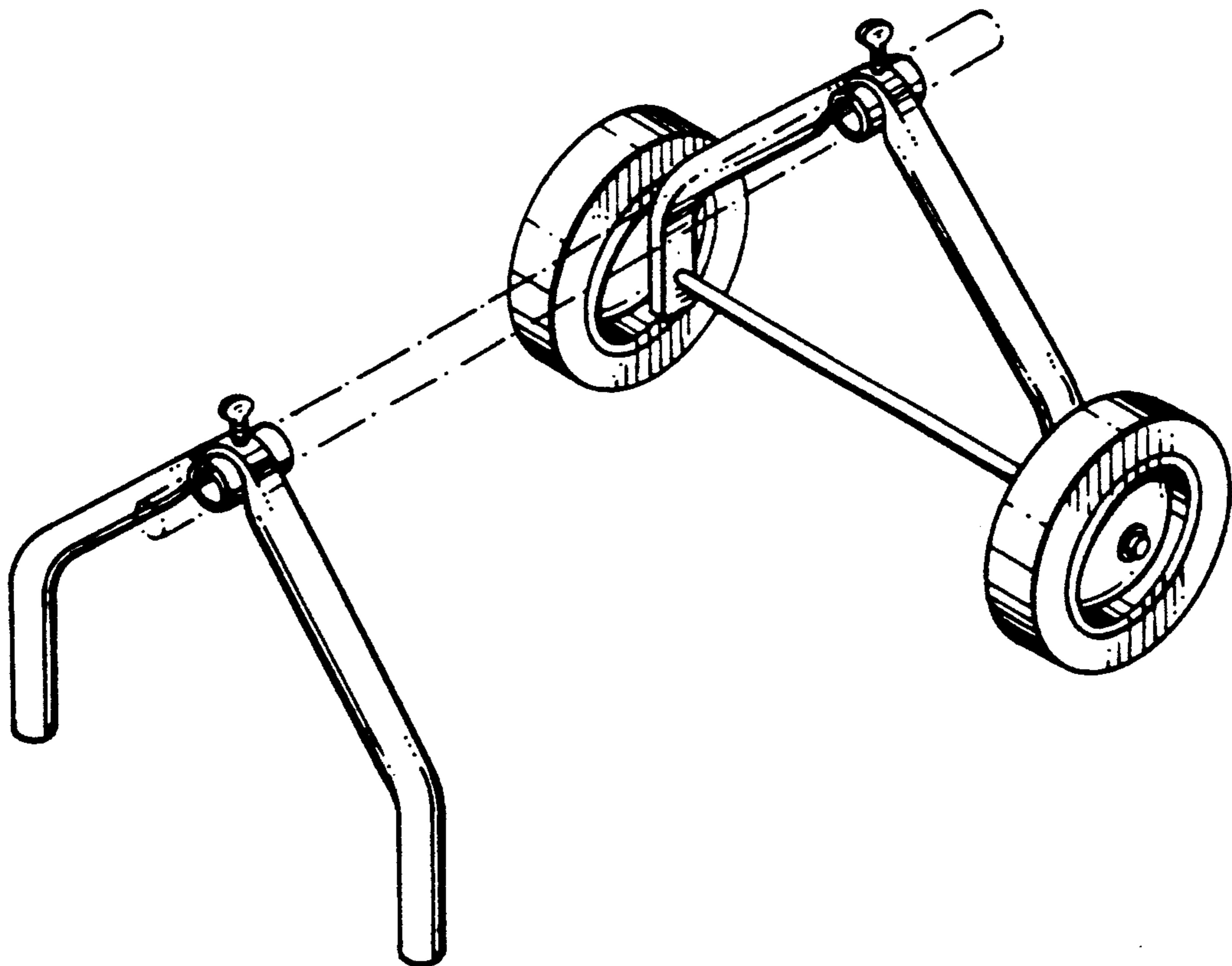
D. 143,329 12/1945 Leonard ..... D34/24

FIG. 6 is a rear view thereof.

D. 183,289 7/1958 Ott ..... D34/24

D. 184,962 4/1959 Ress ..... D34/24

The broken line showing of a rod is for illustrative purposes only and forms no part of the claimed design.



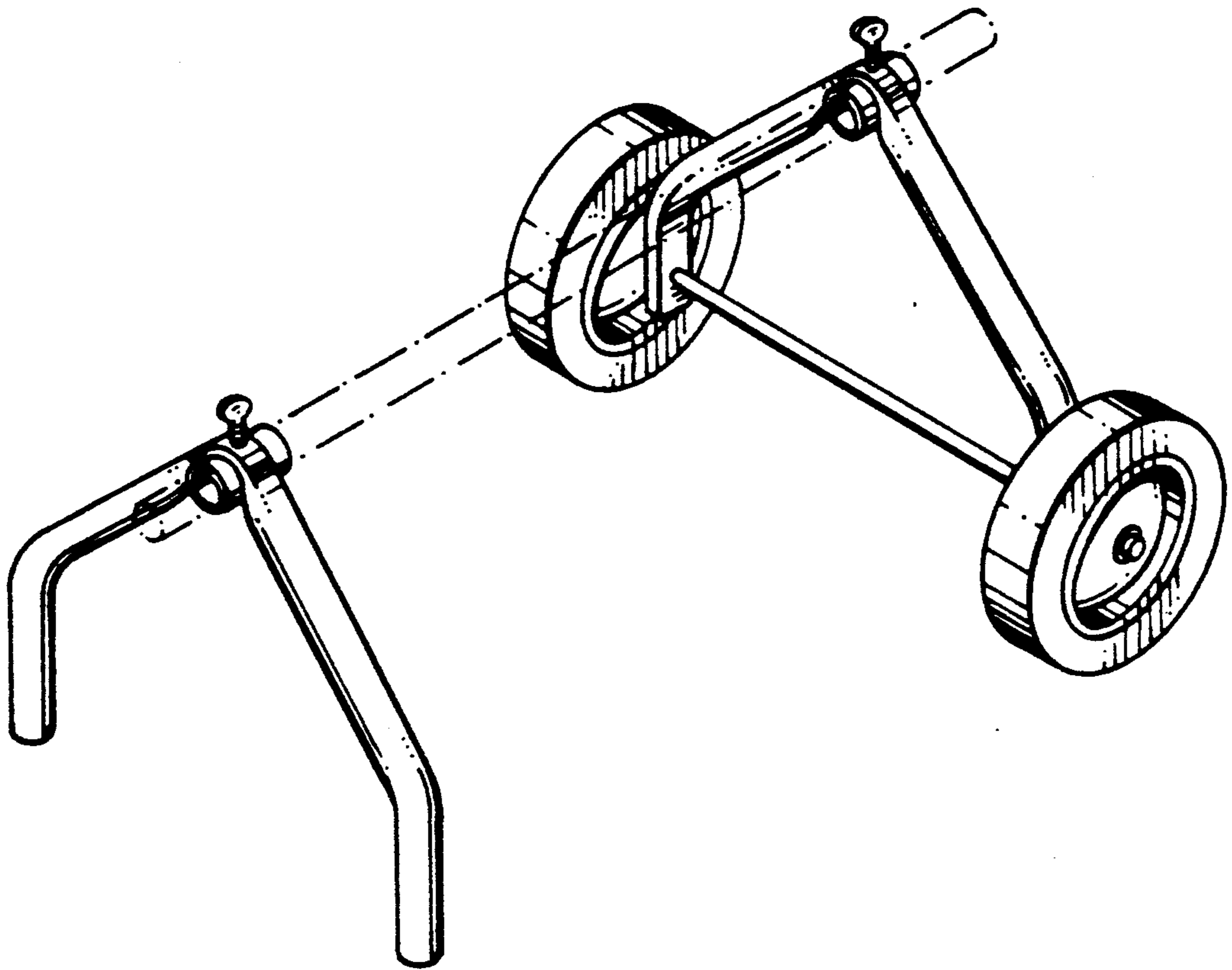


FIG. 1

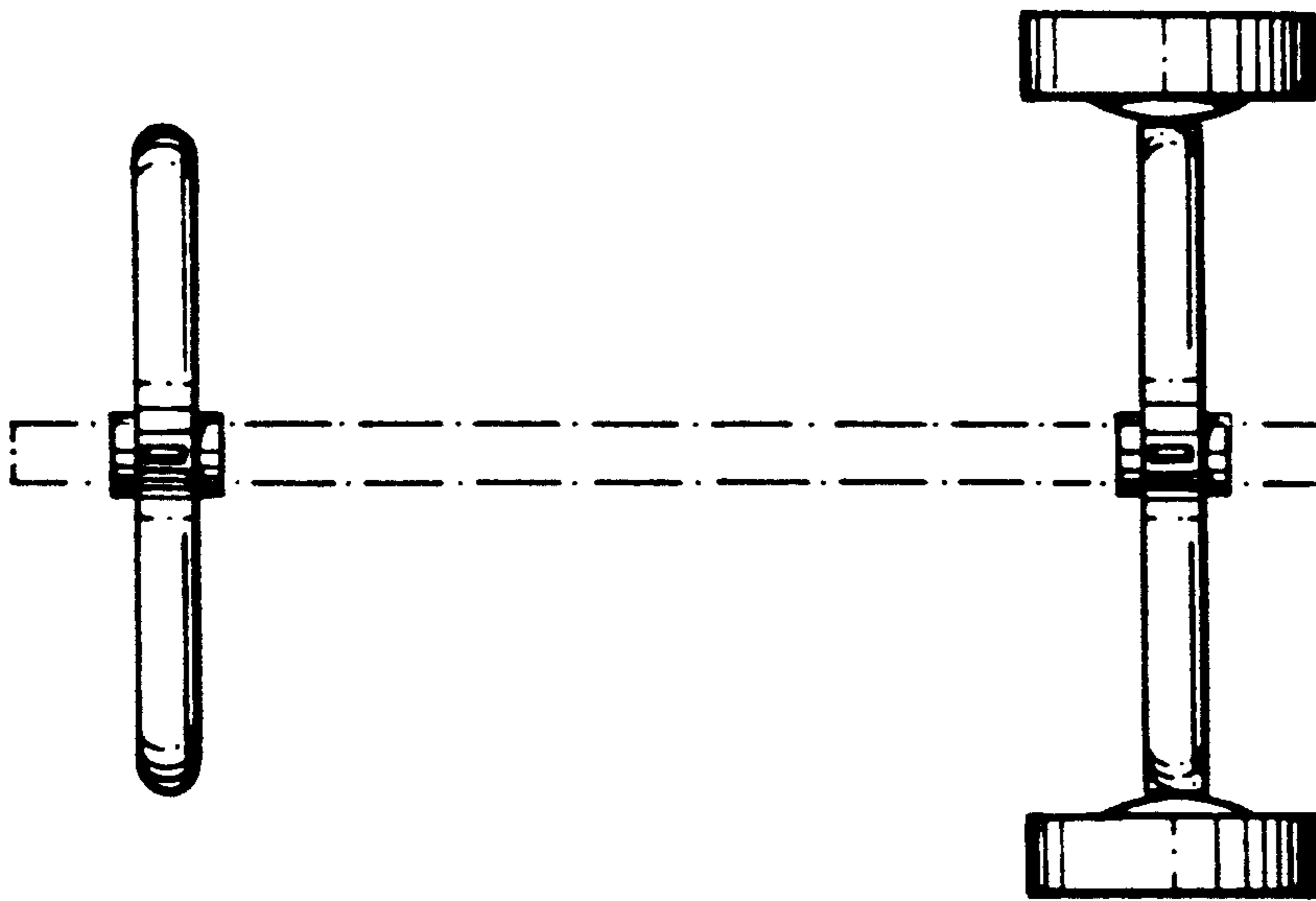


FIG. 2

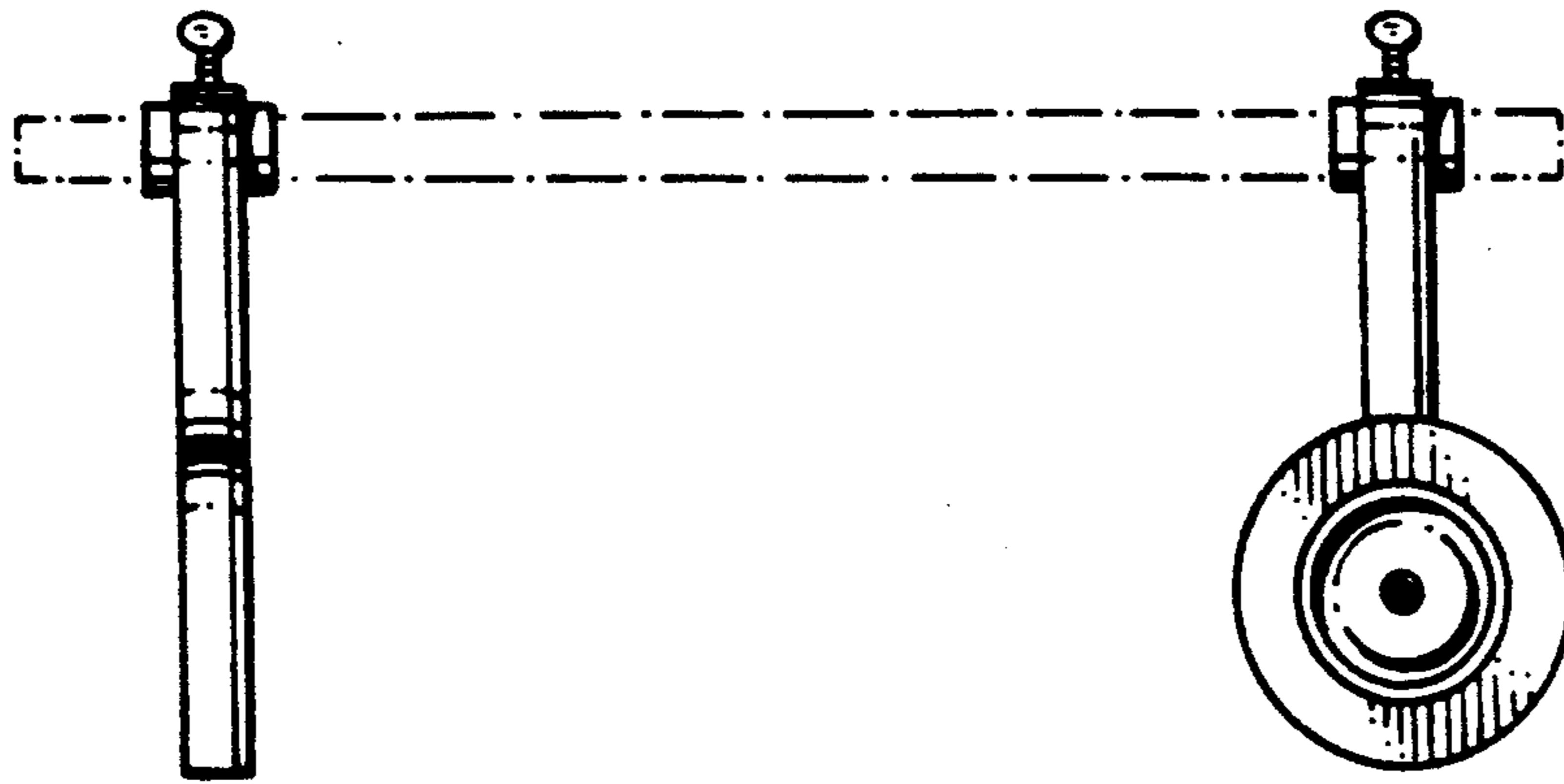


FIG. 3

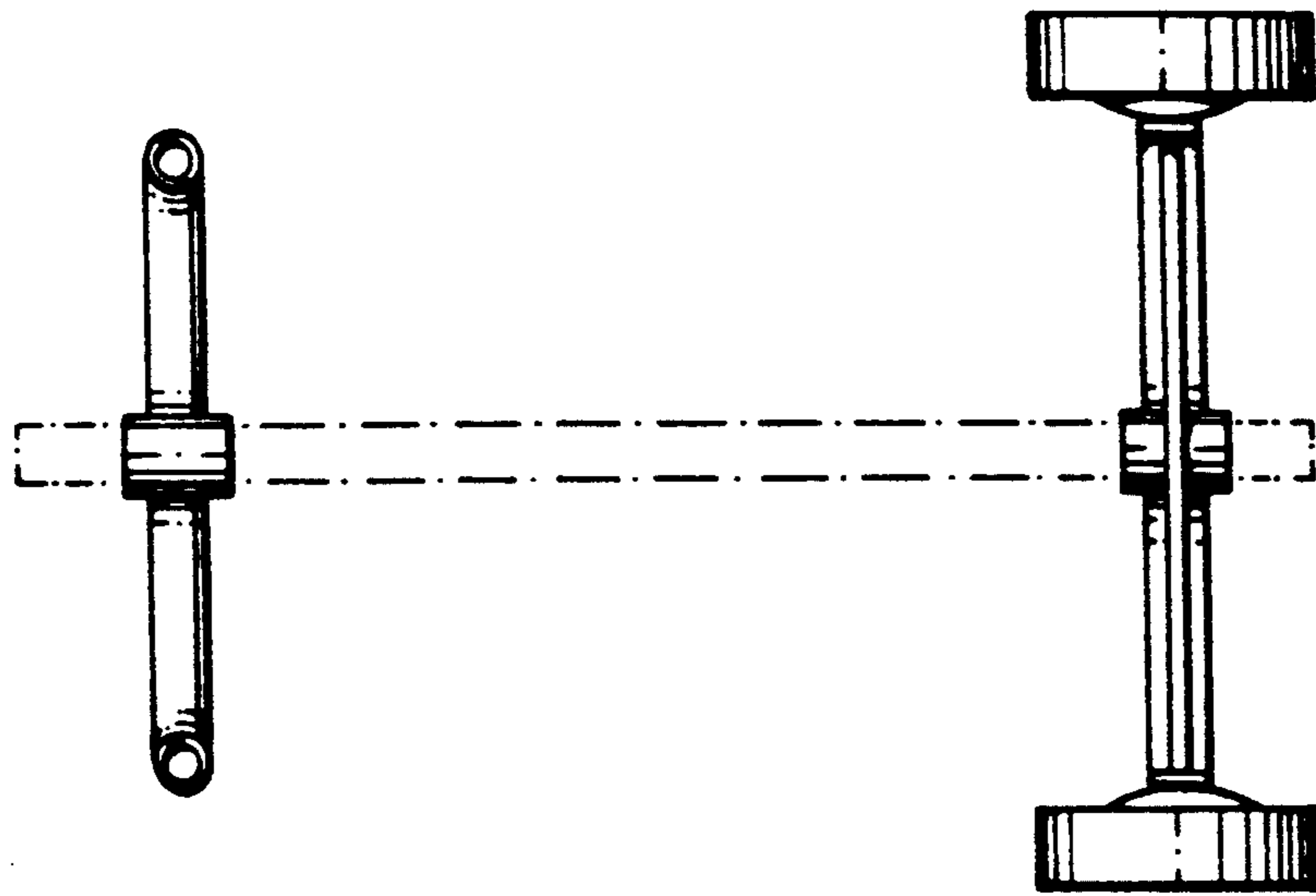


FIG. 4

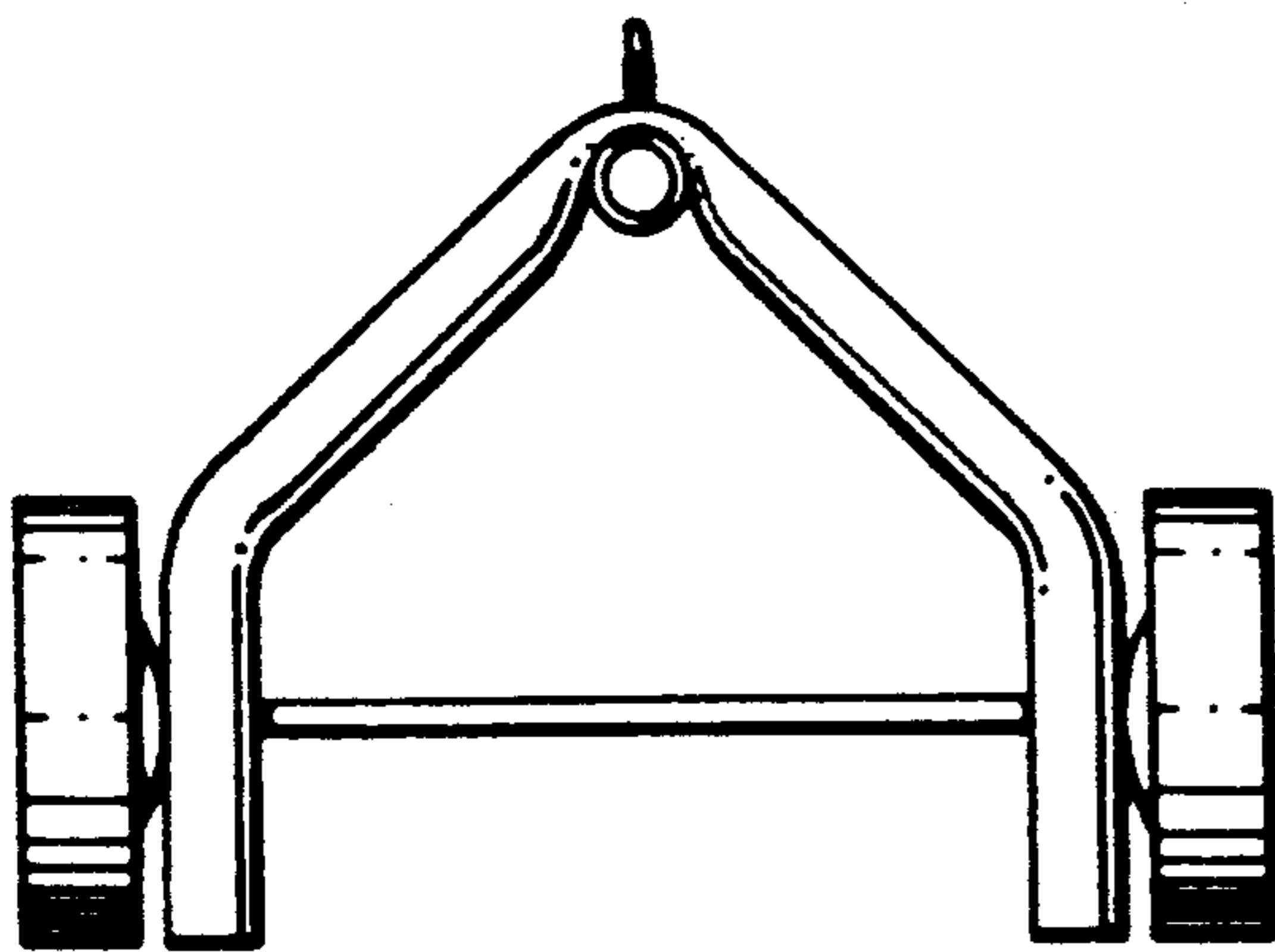


FIG. 5

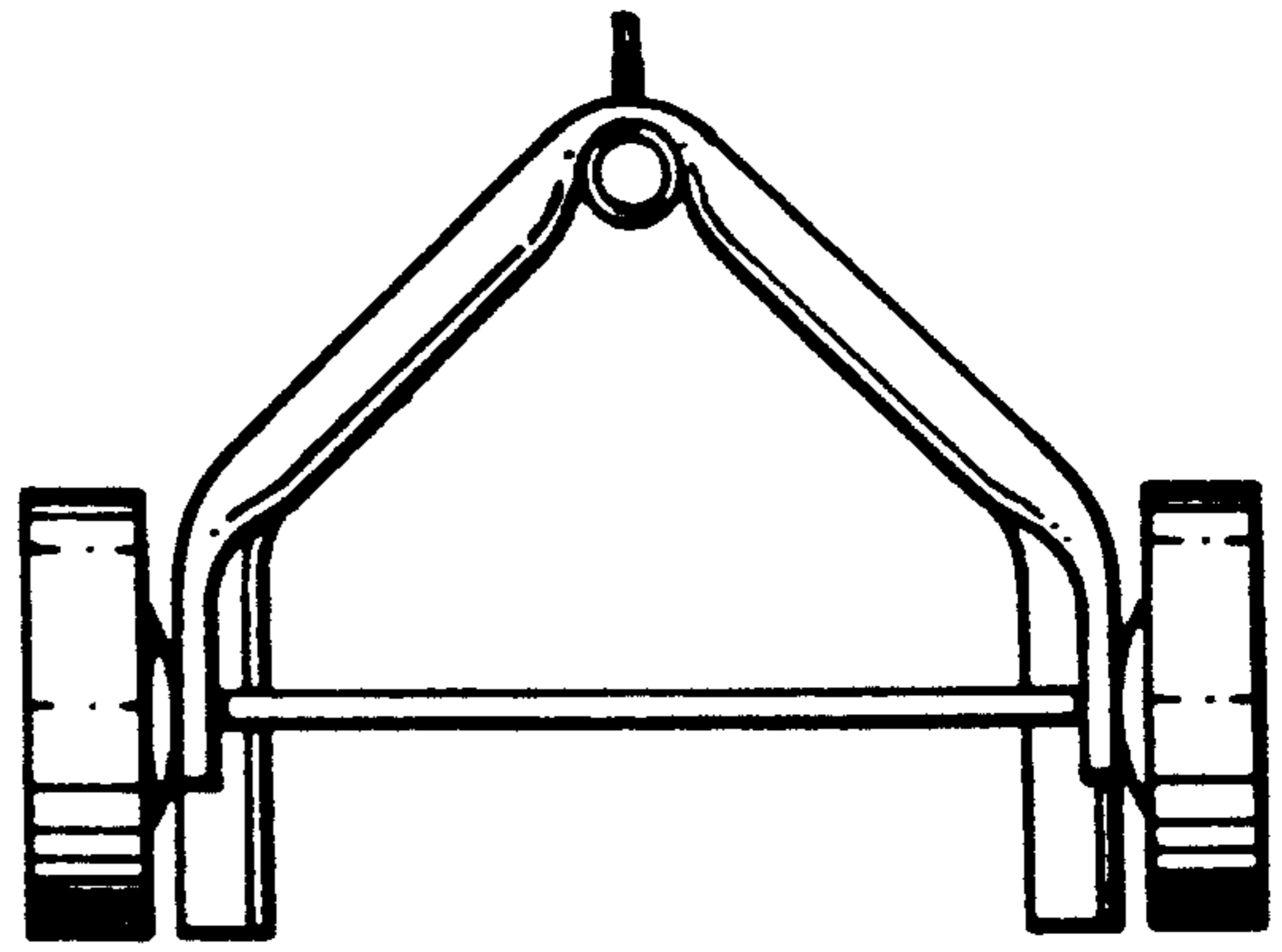


FIG. 6