



US00D342360S

United States Patent [19]

[11] Patent Number: Des. 342,360

Ticknor

[45] Date of Patent: ** Dec. 14, 1993

[54] **HAND-ADJUSTABLE BRIDLE FOR A LITTER BASKET**

[76] Inventor: **James M. Ticknor**, P.O. Box 86, Girard, Pa. 16417

[**] Term: **14 Years**

[21] Appl. No.: **864,070**

[22] Filed: **Apr. 6, 1992**

[52] U.S. Cl. **D34/5; D34/10**

[58] Field of Search **D34/1, 5, 6; 248/97, 248/95, 98, 99, 100, 101**

[56] **References Cited**

U.S. PATENT DOCUMENTS

1,113,287 10/1914 Barnes 248/97
4,188,005 2/1980 Lee 248/97

Primary Examiner—Kay H. Chin

Attorney, Agent, or Firm—Charles W. McHugh

[57] **CLAIM**

The ornamental design for a hand-adjustable bridle for a litter basket, as shown and described.

DESCRIPTION

FIG. 1 is a perspective view of the hand-adjustable bridle for a litter basket, showing my new design, and

showing the bridle in a condition in which all four legs have been manually adjusted so as to be of approximately the same length;

FIG. 2 is a top plan view of the bridle as illustrated in FIG. 1;

FIG. 3 is a front elevational view of the bridle as shown in FIG. 1, with both the front and rear elevational views being identical;

FIG. 4 is a bottom plan view of the bridle as shown in FIG. 1;

FIG. 5 is a side elevational view of the bridle as shown in FIG. 1, with both side views being identical;

FIG. 6 is a perspective view of the bridle in which two of the legs have been manually adjusted so as to be relatively short in comparison with the length of the remaining two legs;

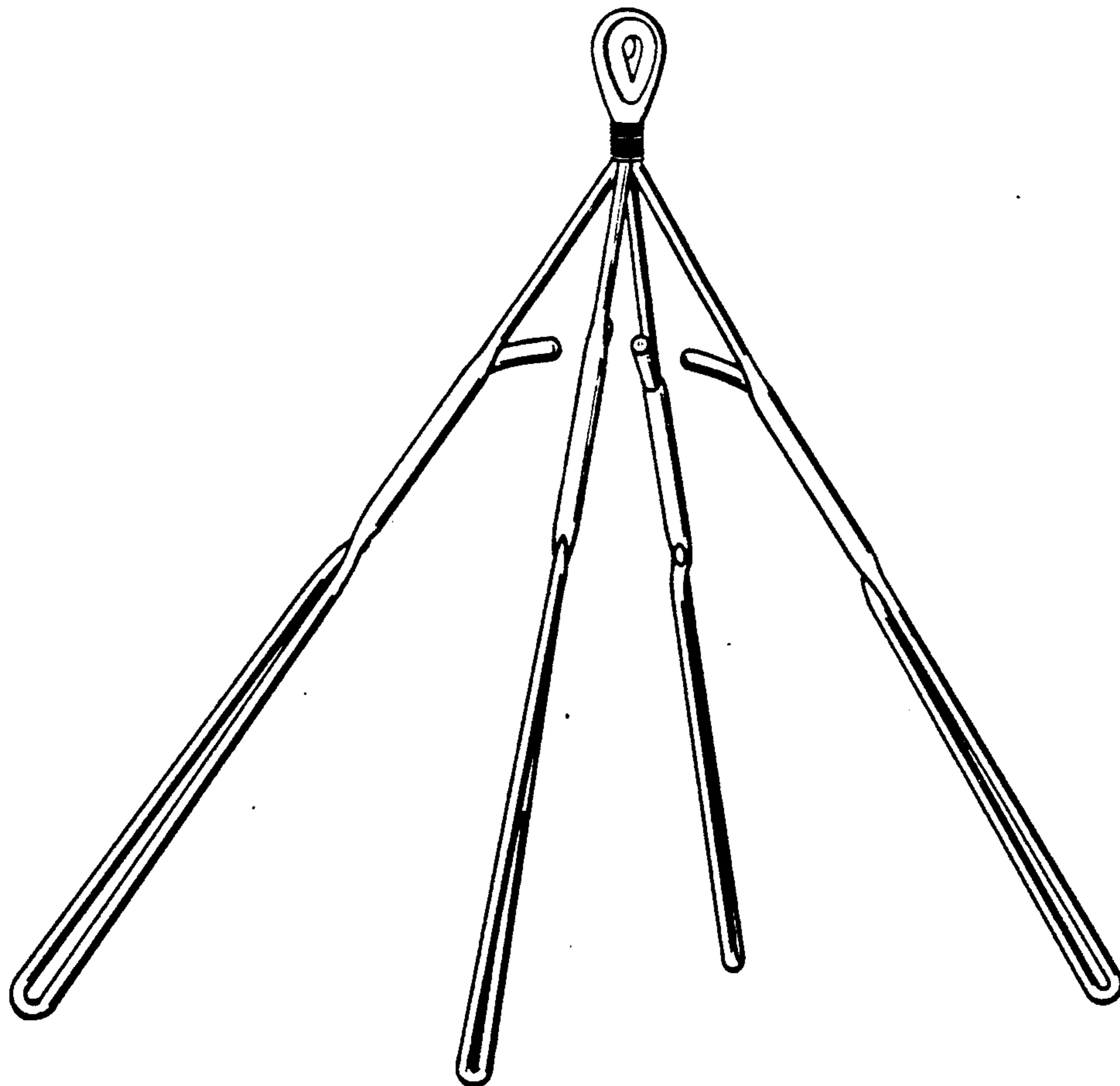
FIG. 7 is a top plan view of the bridle as shown in FIG. 6;

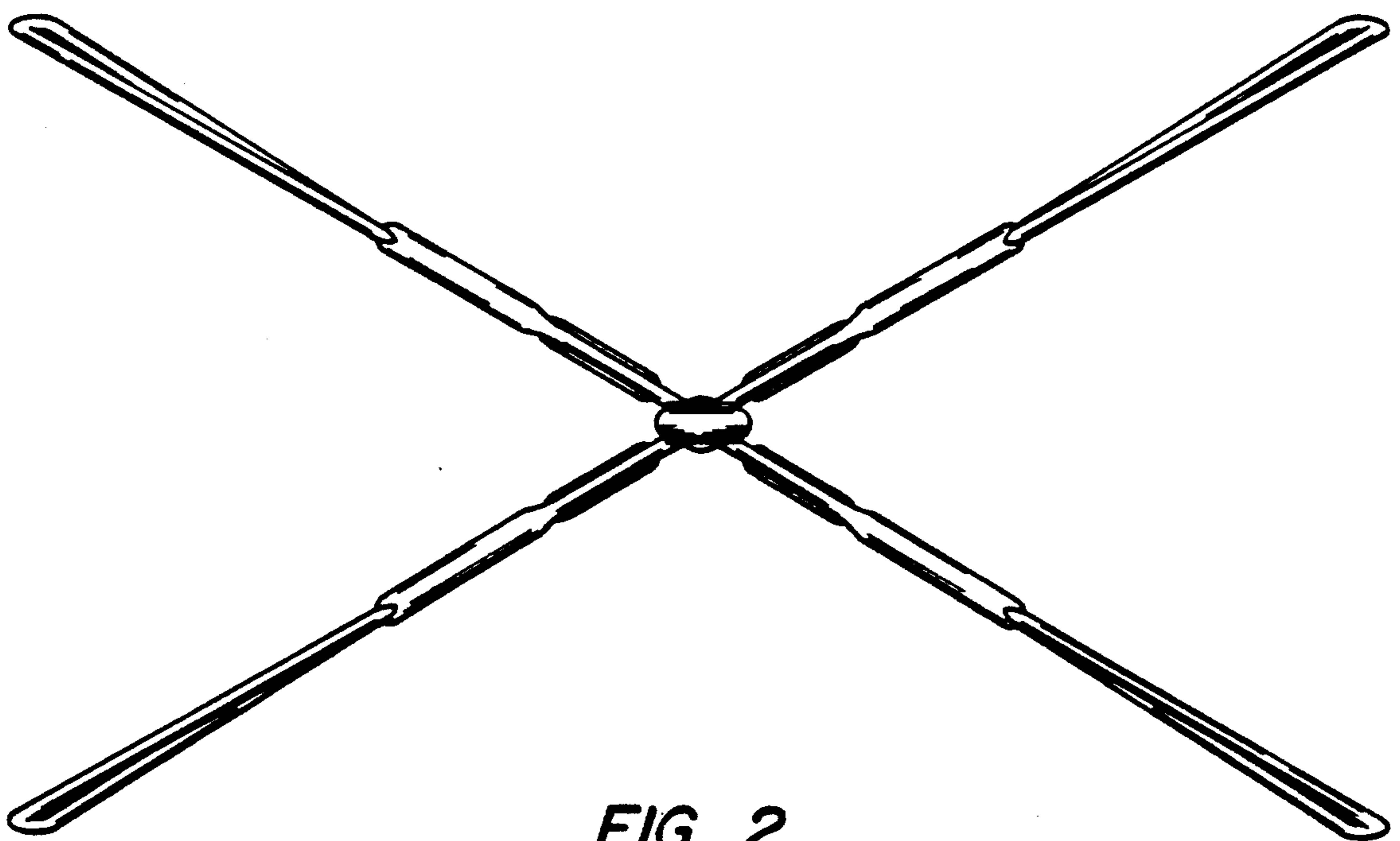
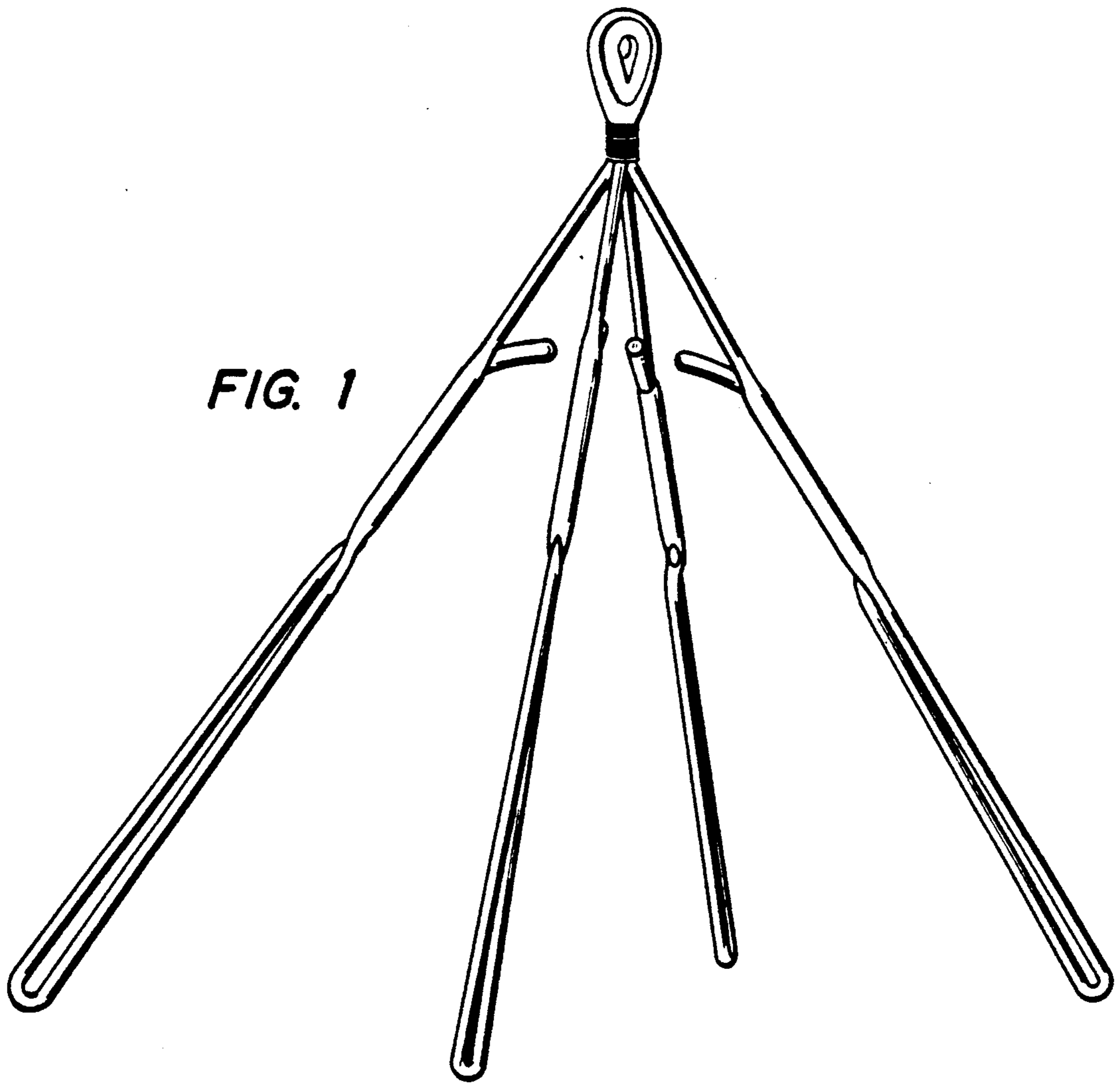
FIG. 8 is a front elevational view of the bridle as shown in FIG. 6;

FIG. 9 is a side elevational view of the bridle as shown in FIG. 6, with both side elevational views being identical;

FIG. 10 is a bottom plan view of the bridle as shown in FIG. 6; and,

FIG. 11 is a rear elevational view of the bridle as shown in FIG. 6.





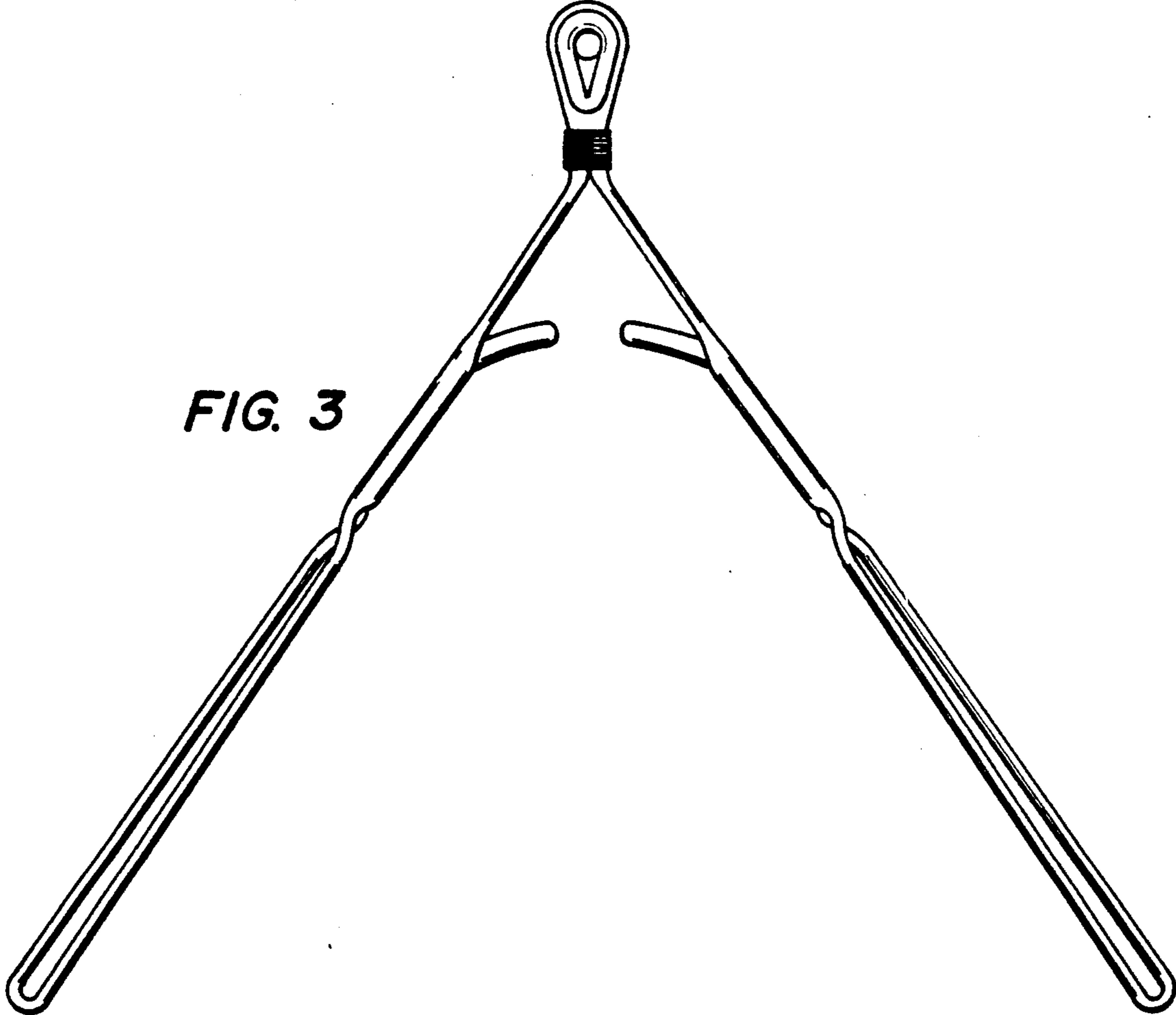


FIG. 3

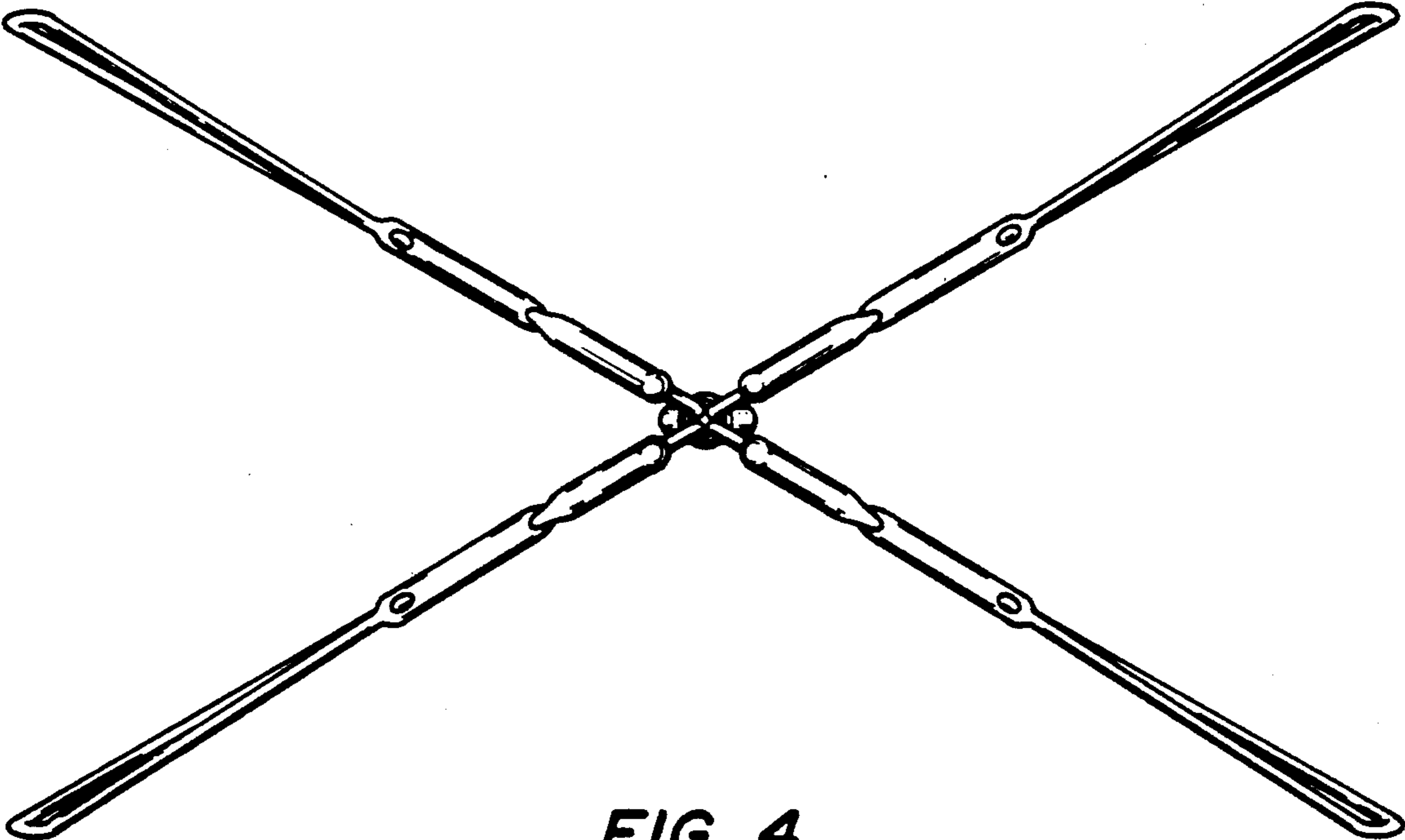


FIG. 4

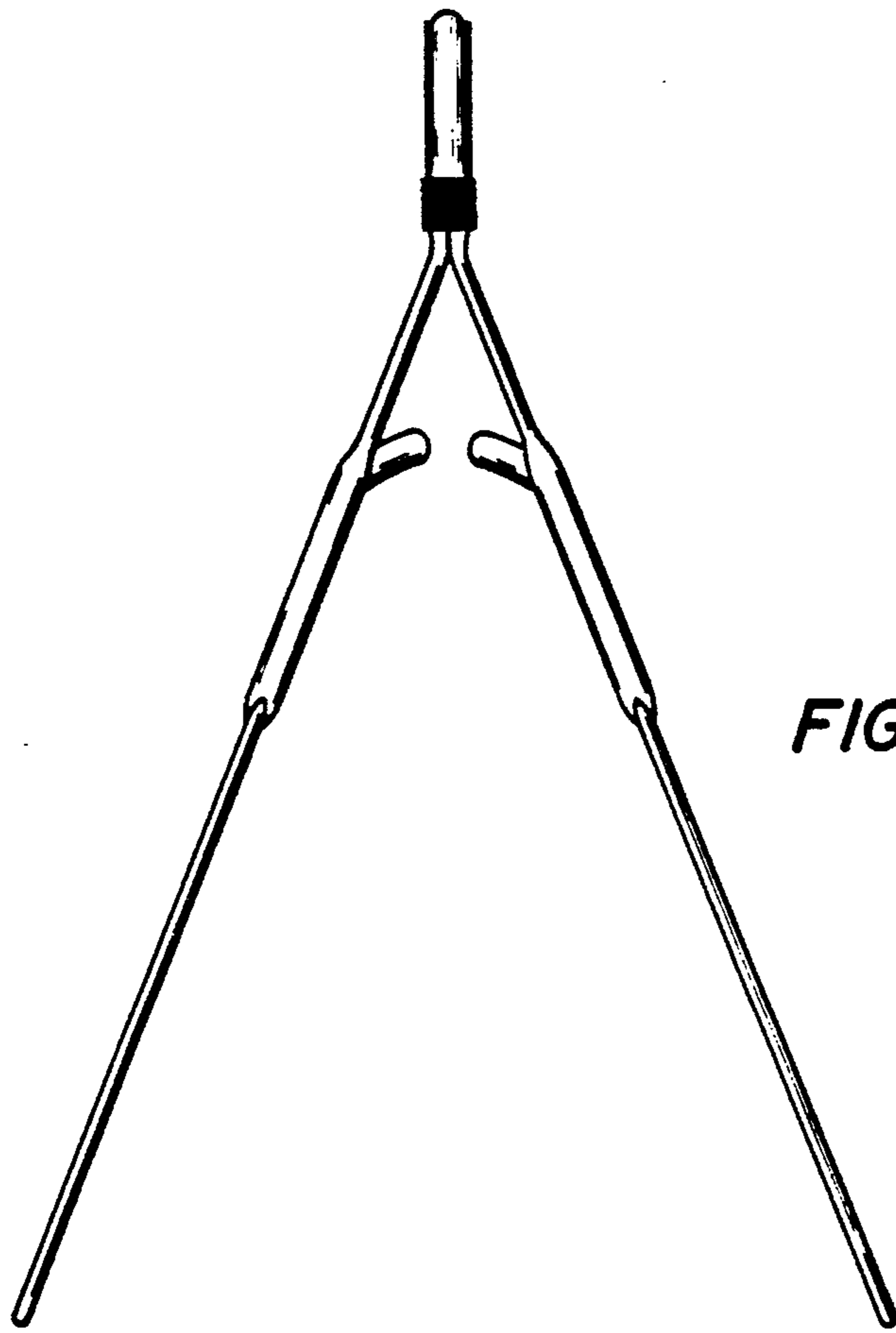


FIG. 5

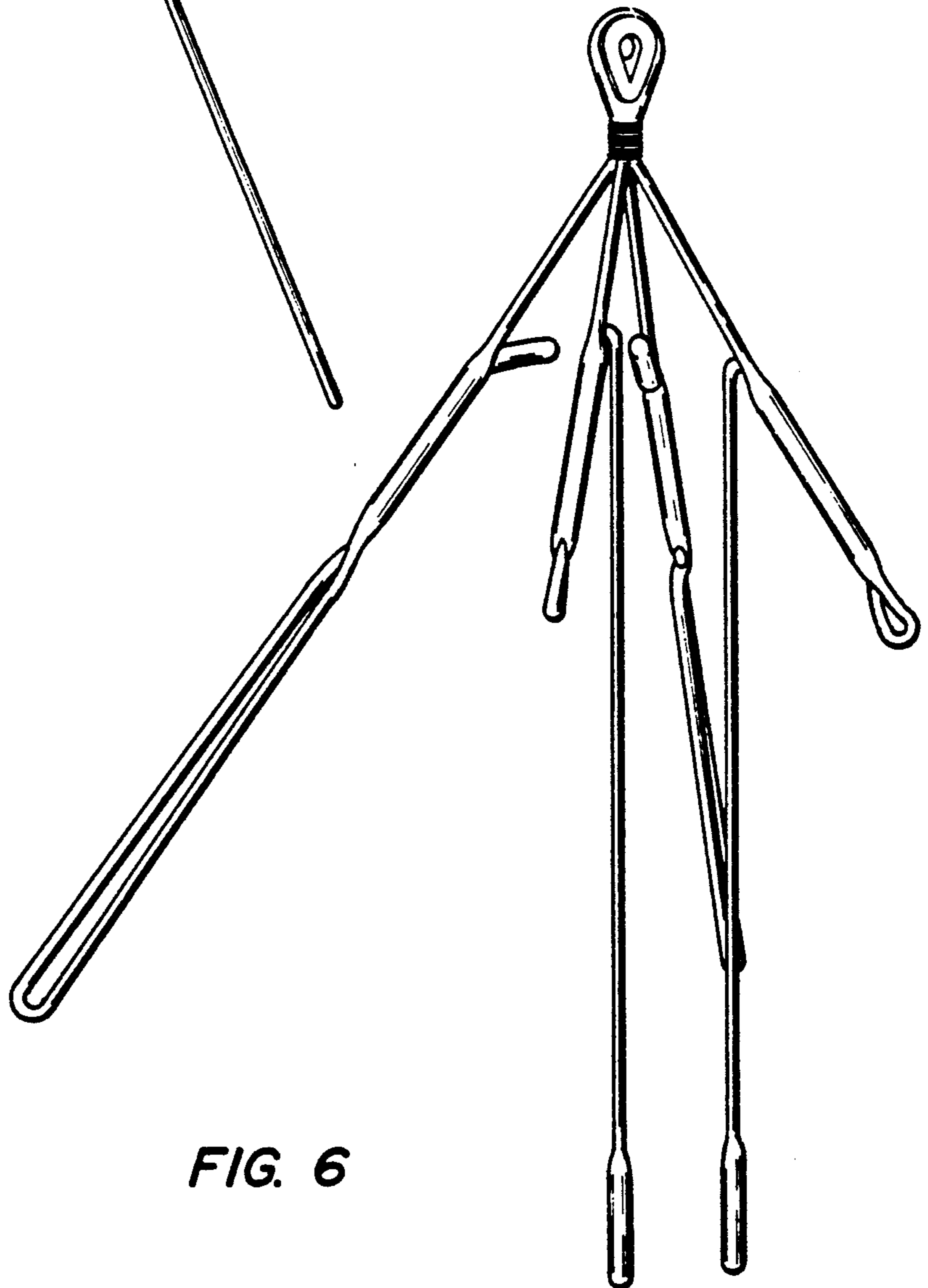


FIG. 6

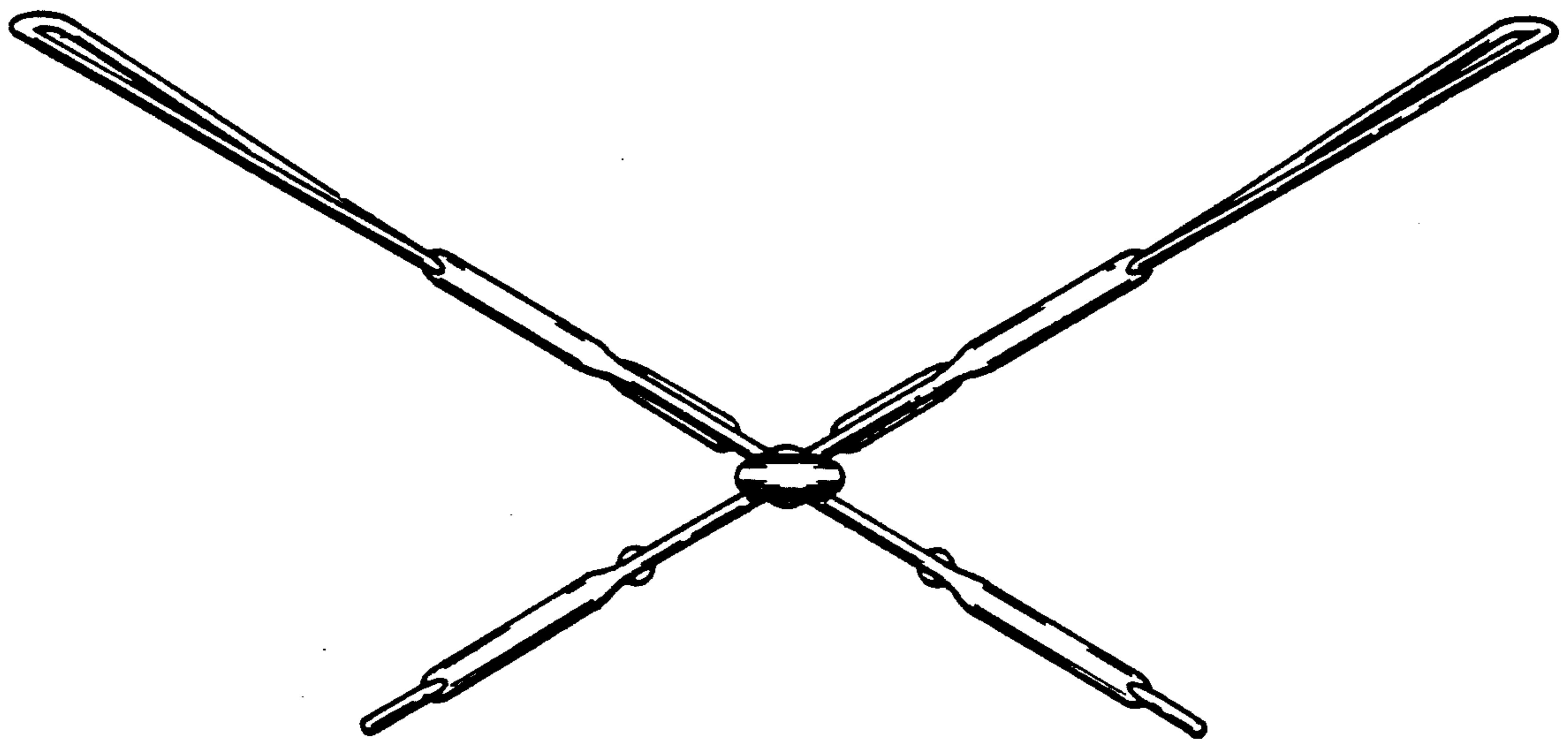


FIG. 7

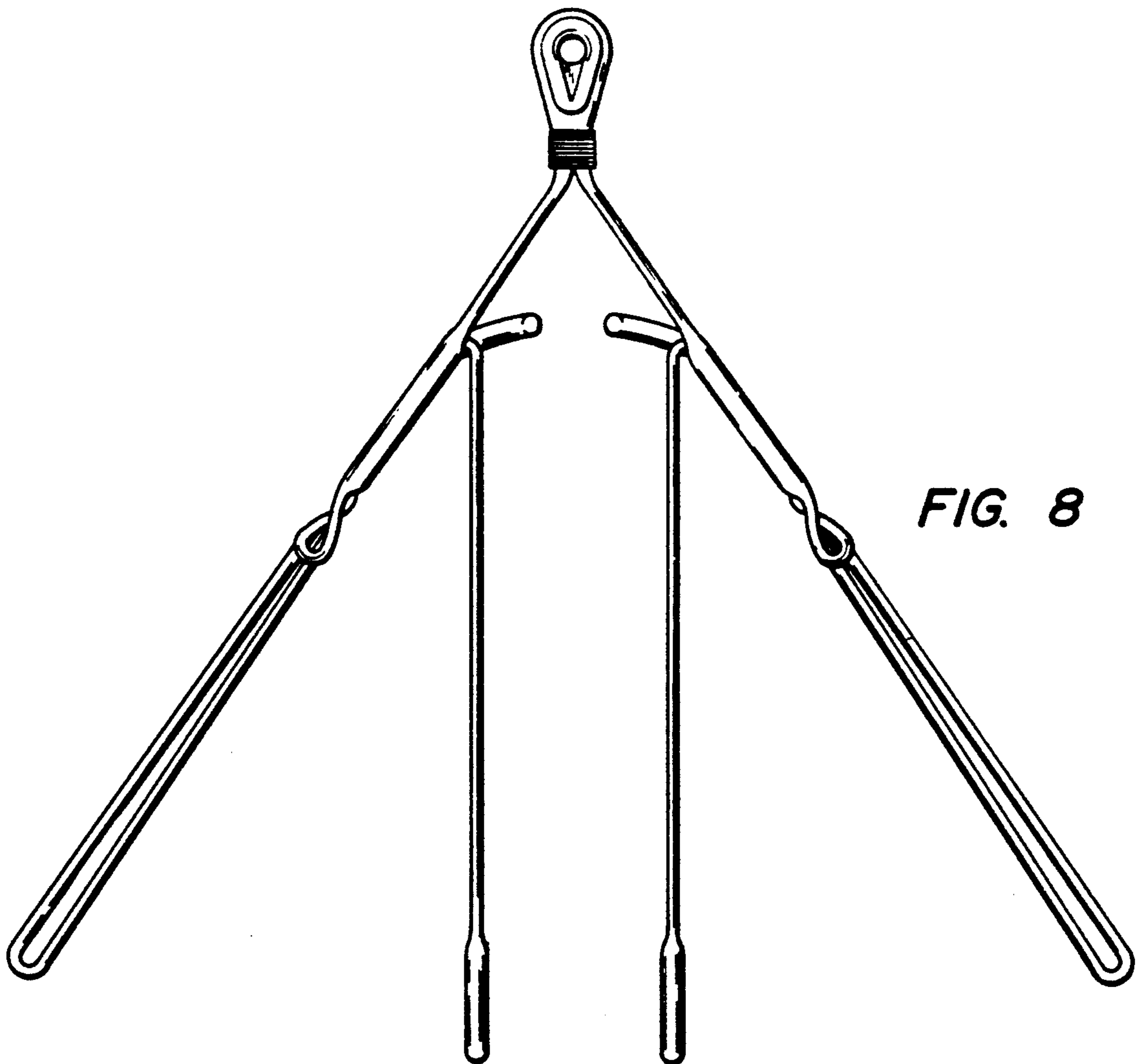


FIG. 8

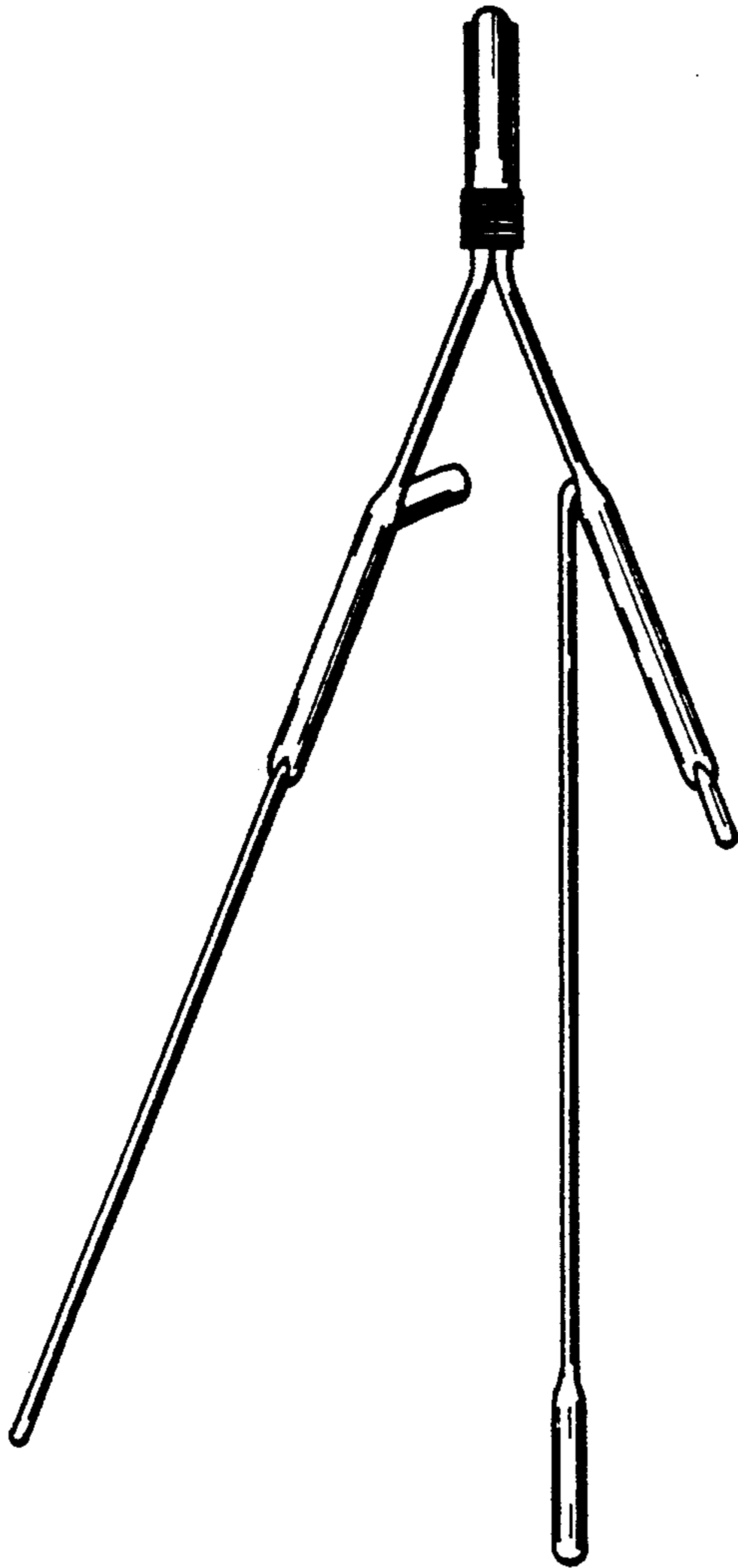


FIG. 9

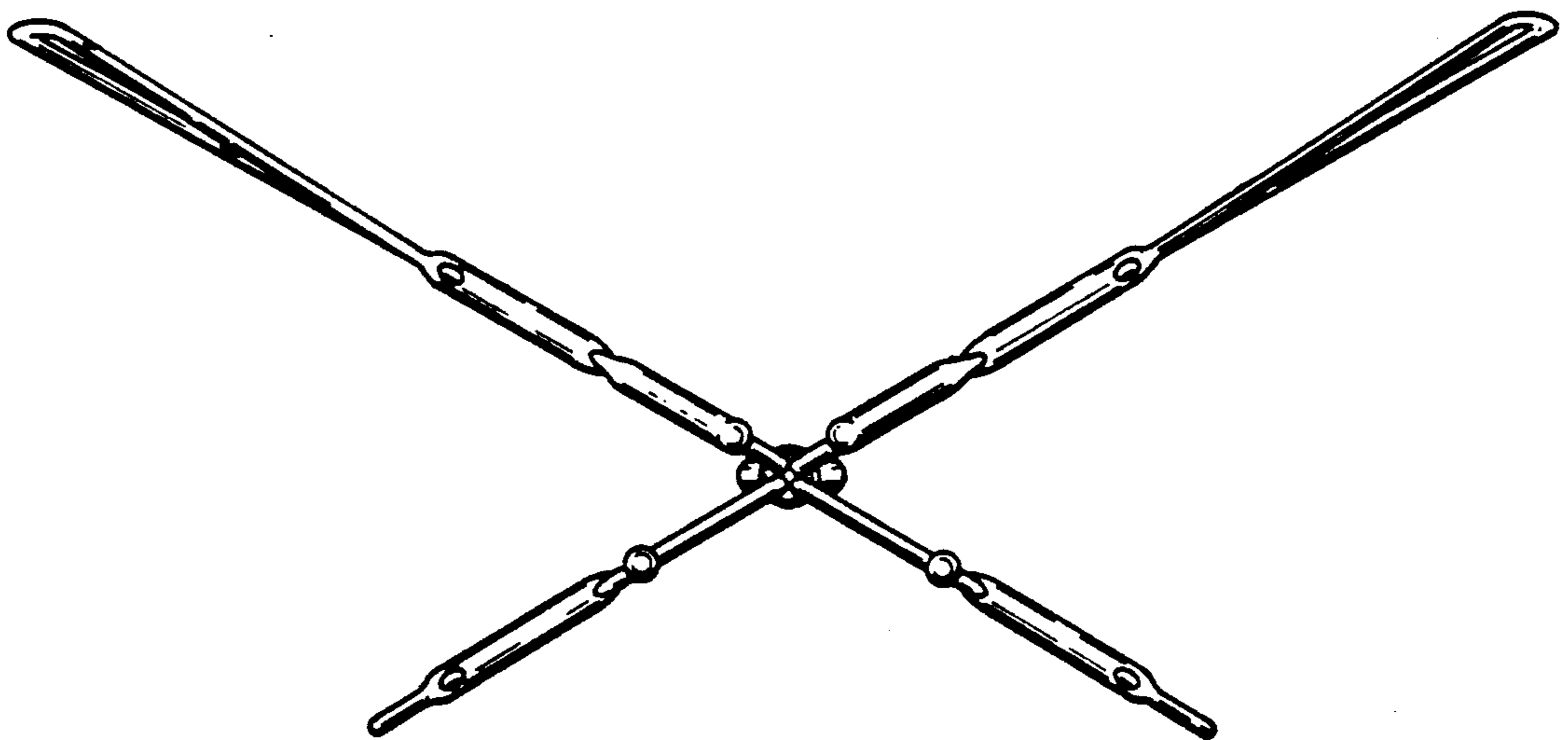


FIG. 10

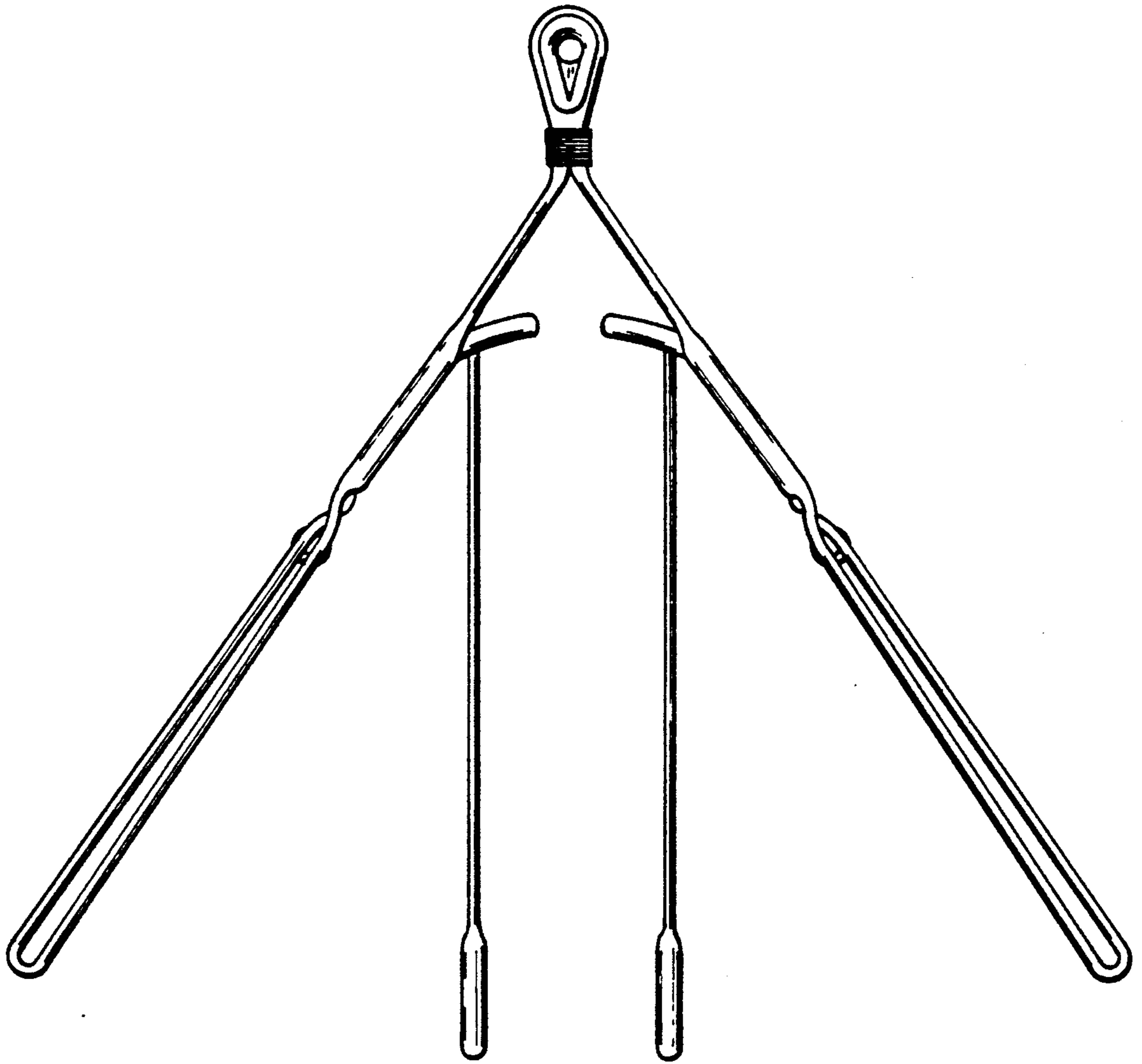


FIG. 11