



US00D342358S

United States Patent [19]

[11] Patent Number: **Des. 342,358**

Castro et al.

[45] Date of Patent: **** Dec. 14, 1993**

[54] DUSTPAN

2,648,959 8/1953 Budzyna 15/257.7
4,562,611 1/1986 Marttinen 15/257.7

[75] Inventors: **Harry Castro**, Honolulu, Hi.; **Frank E. McLane**, Paramount, Calif.

Primary Examiner—Wallace R. Burke
Assistant Examiner—Lavone D. Tabor
Attorney, Agent, or Firm—Knobbe, Martens, Olson & Bear

[73] Assignee: **McLane Industries**, Paramount, Calif.

[**] Term: **14 Years**

[57] **CLAIM**

[21] Appl. No.: **789,160**

The ornamental design for a dustpan, as shown and described.

[22] Filed: **Nov. 6, 1991**

[52] U.S. Cl. **D32/74; D8/10**

DESCRIPTION

[58] Field of Search **D32/74; D8/10;**
15/257.1-257.9; 37/264-266; 294/1.3, 1.4, 49,
54.5, 55

FIG. 1 is a front perspective view of a dustpan showing our ornamental design;

FIG. 2 is a side elevational view of the dustpan of FIG. 1;

FIG. 3 is a front elevational view of the dustpan of FIG. 1;

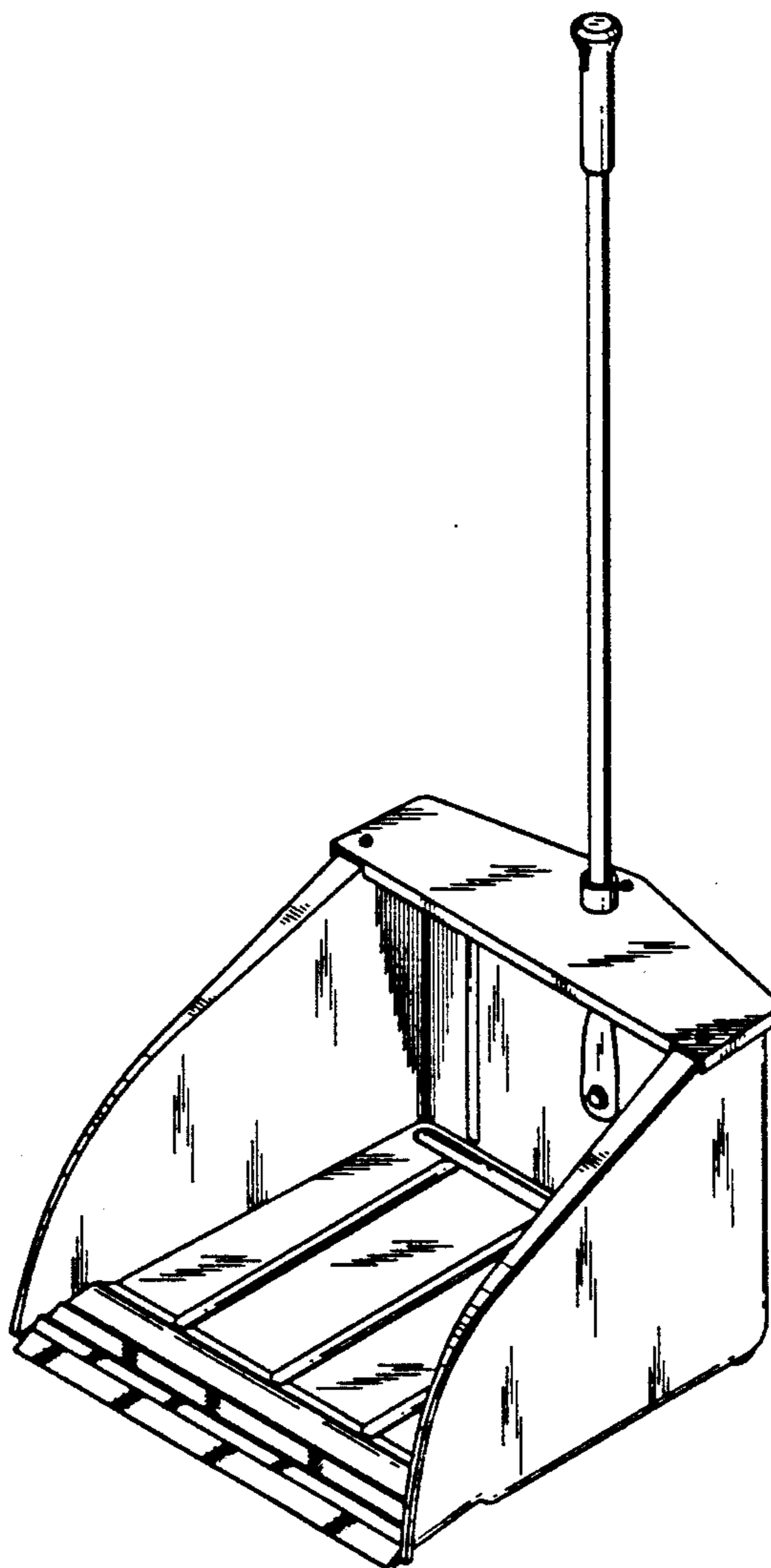
FIG. 4 is a rear elevational view of the dustpan of FIG. 1;

FIG. 5 is a top plan view of the dustpan of FIG. 1; and, FIG. 6 is a bottom plan view of the dustpan of FIG. 1.

[56] **References Cited**

U.S. PATENT DOCUMENTS

| | | | | |
|------------|--------|--------|-------|----------|
| D. 94,592 | 2/1935 | Badger | | D32/74 |
| D. 267,468 | 1/1983 | Simms | | D8/10 |
| D. 280,456 | 9/1985 | Malone | | D32/74 |
| 984,356 | 2/1911 | Davis | | 15/257.5 |



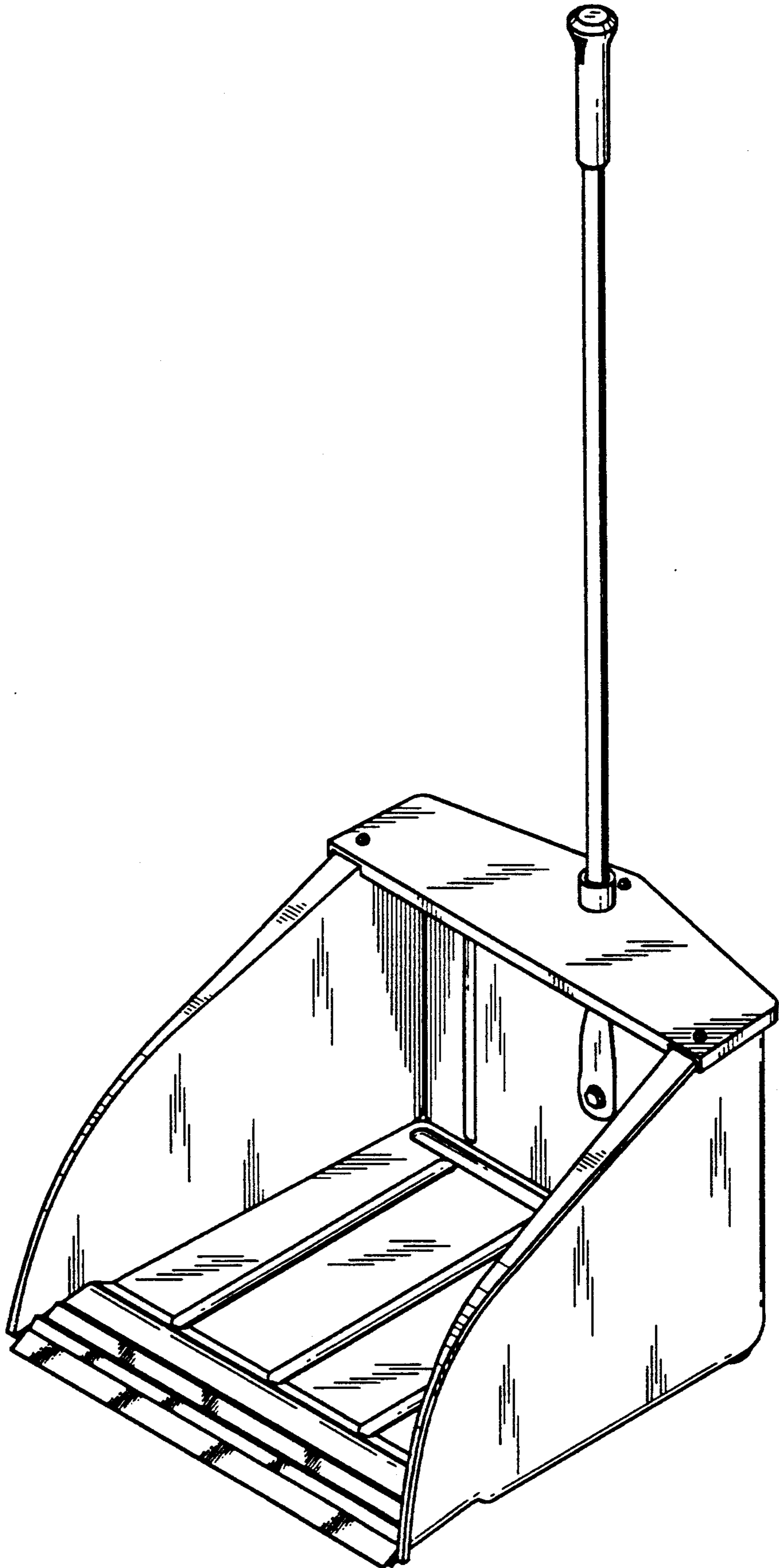


Fig. 1

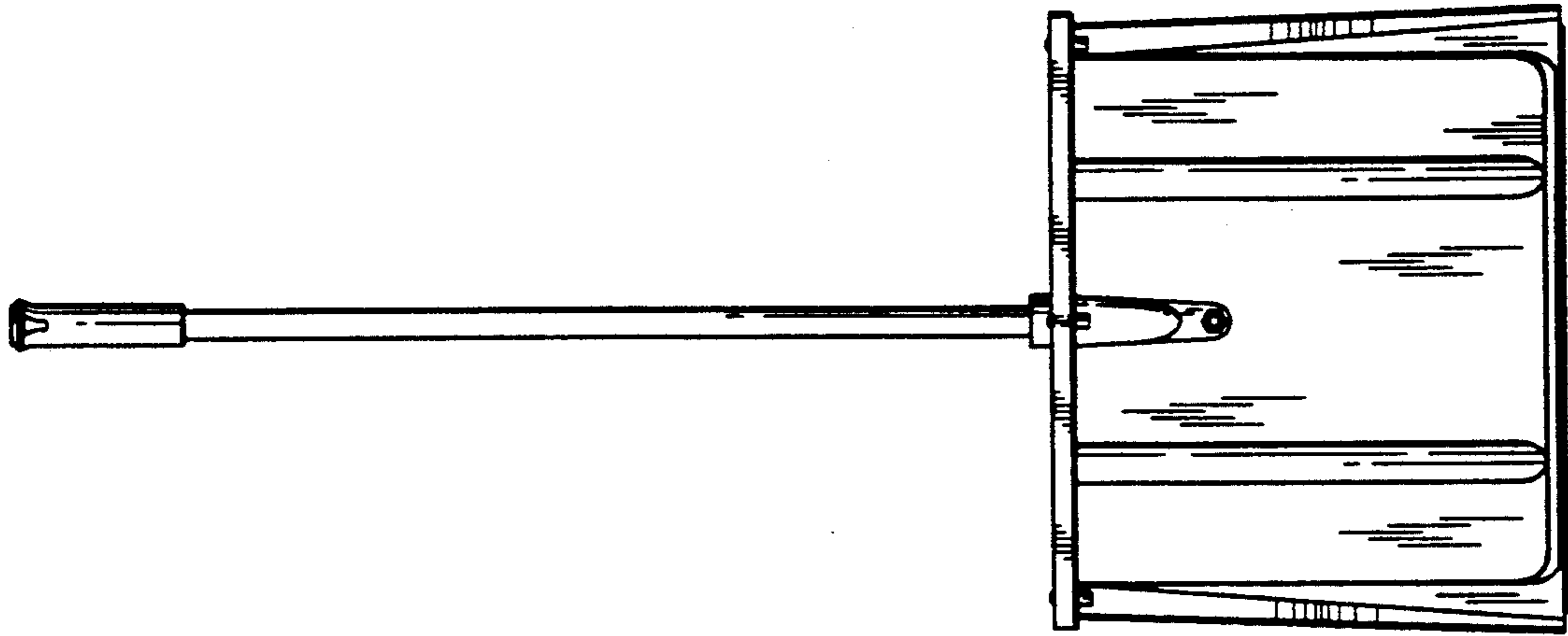


Fig. 4

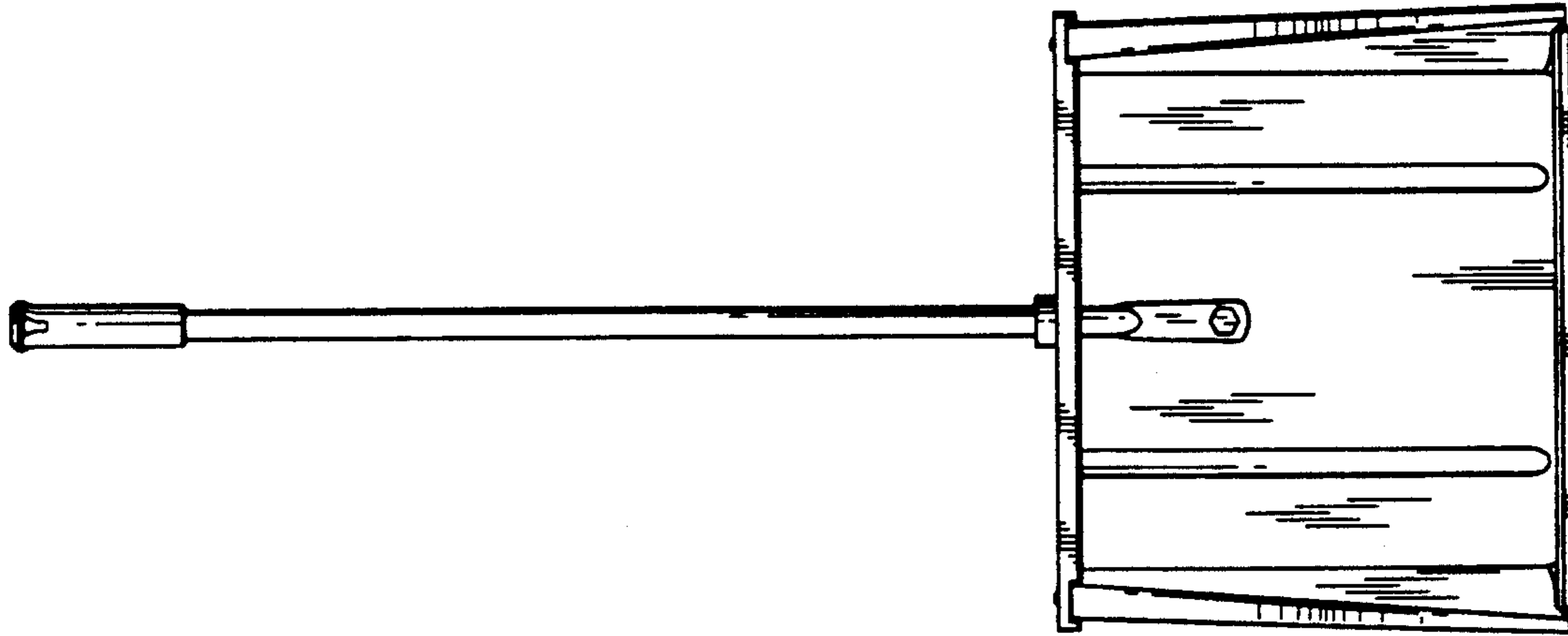


Fig. 3

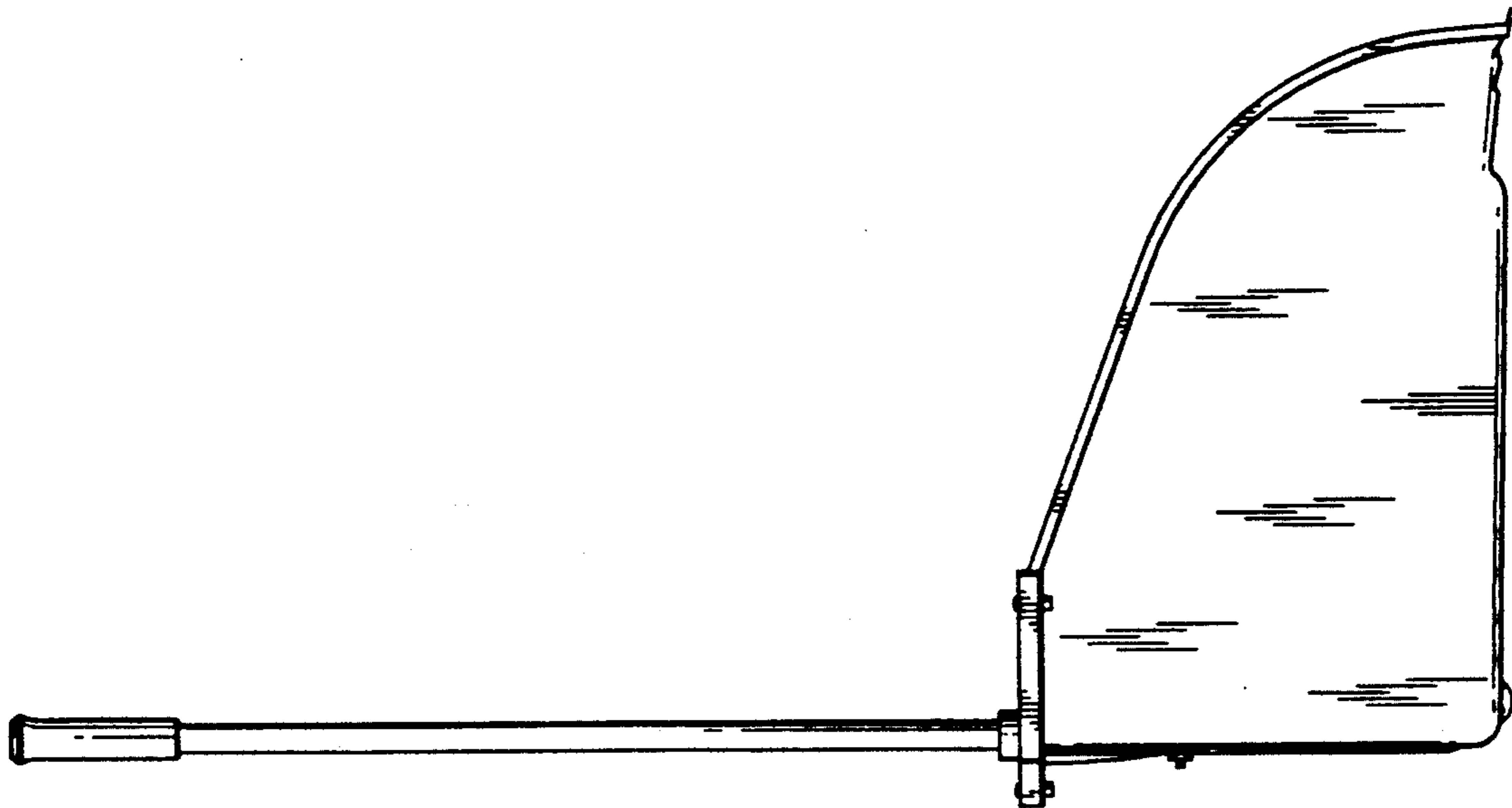


Fig. 2

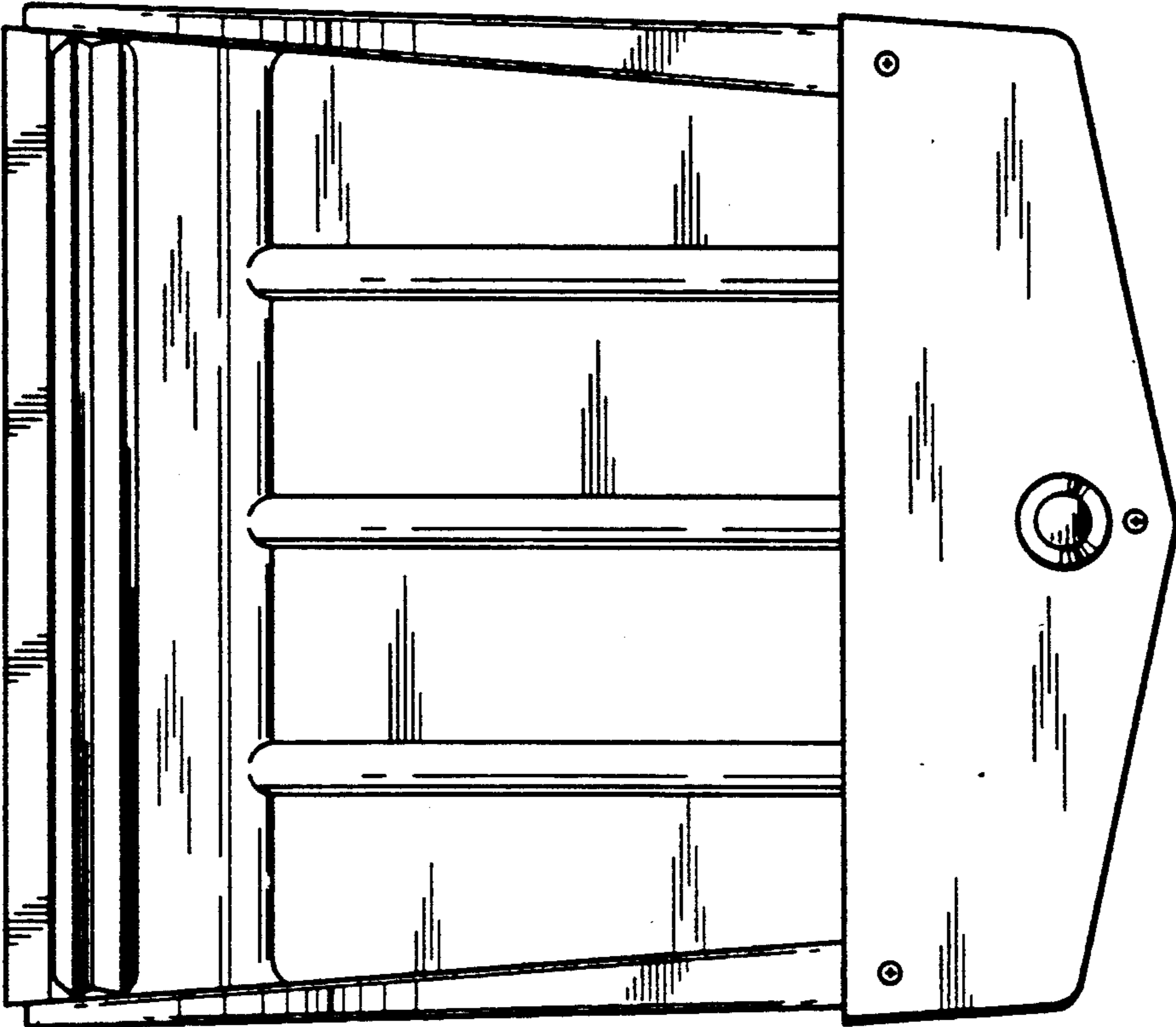


Fig. 5

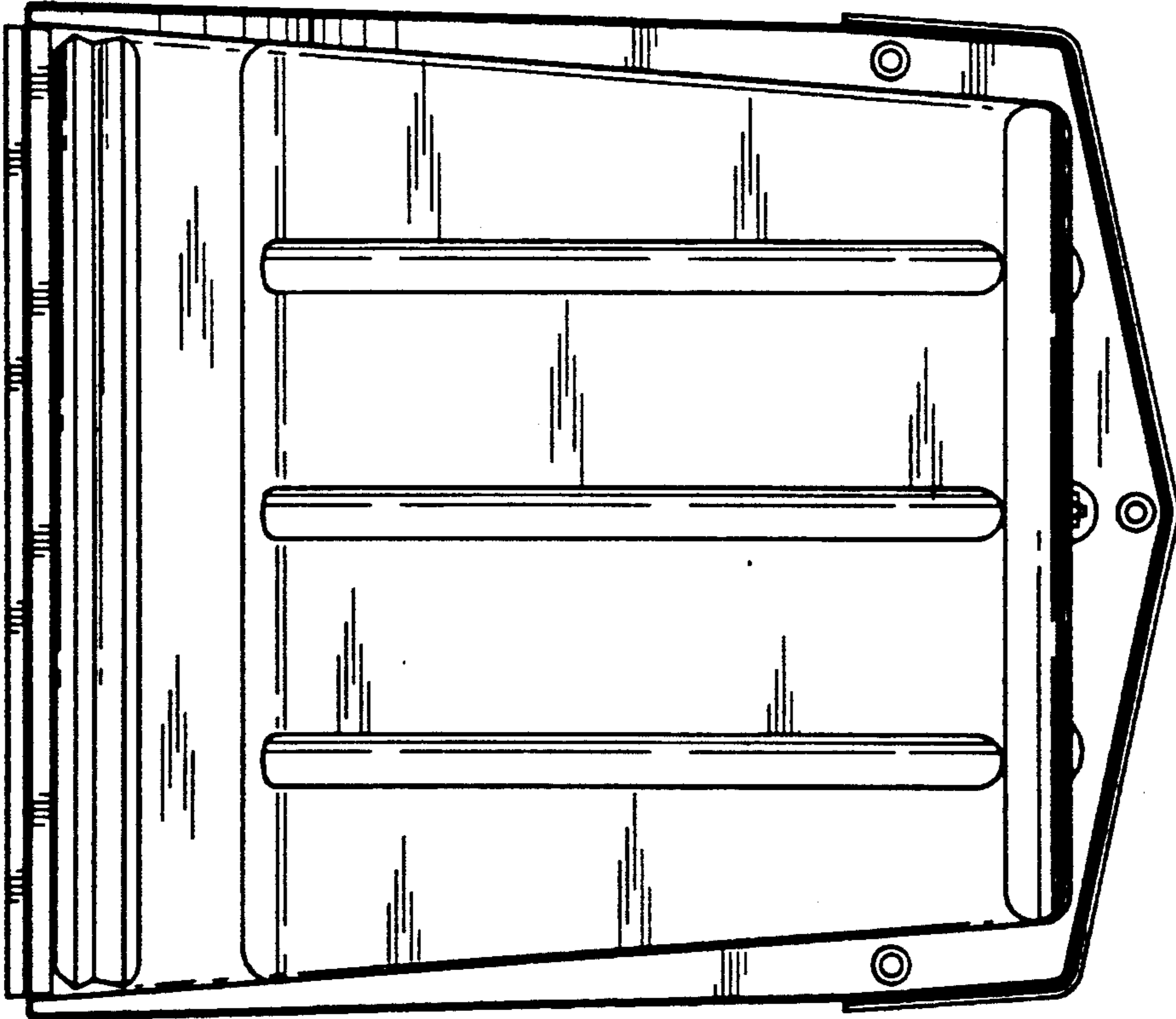


Fig. 6