



US00D342357S

# United States Patent [19]

[11] Patent Number: **Des. 342,357**

**Balk**

[45] Date of Patent: **\*\* Dec. 14, 1993**

[54] **BAG DRYER**

3,225,977 12/1965 Gandy ..... 223/85

[76] Inventor: **Peter N. Balk**, P.O. Box 1609, Port Townsend, Wash. 98368

3,887,079 6/1975 Crew ..... 211/118

4,778,088 10/1988 Miller ..... 223/91

[\*\*] Term: **14 Years**

### FOREIGN PATENT DOCUMENTS

68817 12/1913 Switzerland ..... 211/119

[21] Appl. No.: **694,029**

*Primary Examiner*—Wallace R. Burke

*Assistant Examiner*—Lavone D. Tabor

[22] Filed: **May 1, 1991**

[52] U.S. Cl. .... **D32/58; D6/514**

[58] Field of Search ..... **D6/318-319, D6/513-514; D32/35, 58; 211/113, 115-119; 248/317, 327-328; 16/111 R**

### [57] CLAIM

The ornamental design for a bag dryer, as shown and described.

### [56] References Cited

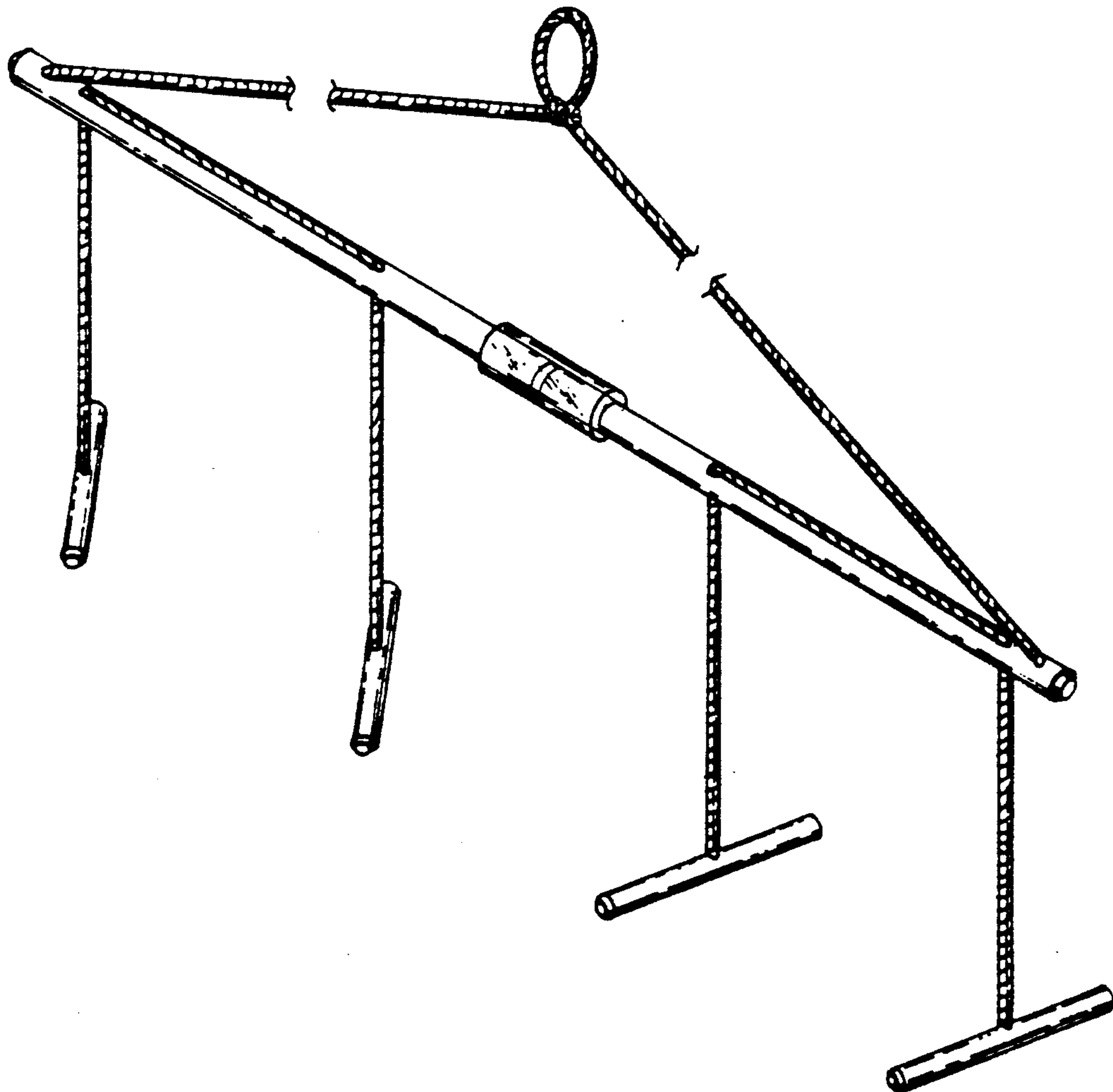
### DESCRIPTION

#### U.S. PATENT DOCUMENTS

D. 19,485	12/1889	Campbell	.....	D6/513
D. 27,923	11/1897	Robbins	.	
D. 194,574	2/1963	Reeser	.	
273,028	2/1883	Clark	.....	16/111 R
1,179,349	4/1916	Collis	.	
1,783,749	12/1930	Roehl	.	
1,815,673	7/1931	Kelley	.	
2,376,097	5/1945	Stamm	.....	211/34
2,423,782	7/1947	LaCourse	.....	223/91
2,796,206	6/1957	Schwartz	.....	223/68

FIG. 1 is a perspective view of the bag dryer invention; FIG. 2 is a front view of the bag dryer invention; FIG. 3 is a top plan view of the bag dryer invention; FIG. 4 is a rear view of the bag dryer invention; FIG. 5 is a bottom view of the bag dryer invention; FIG. 6 is a right side elevation view of the bag dryer invention; and, FIG. 7 is a left side elevation view of the bag dryer invention.

The cord support is shown broken away to indicate indeterminate length.



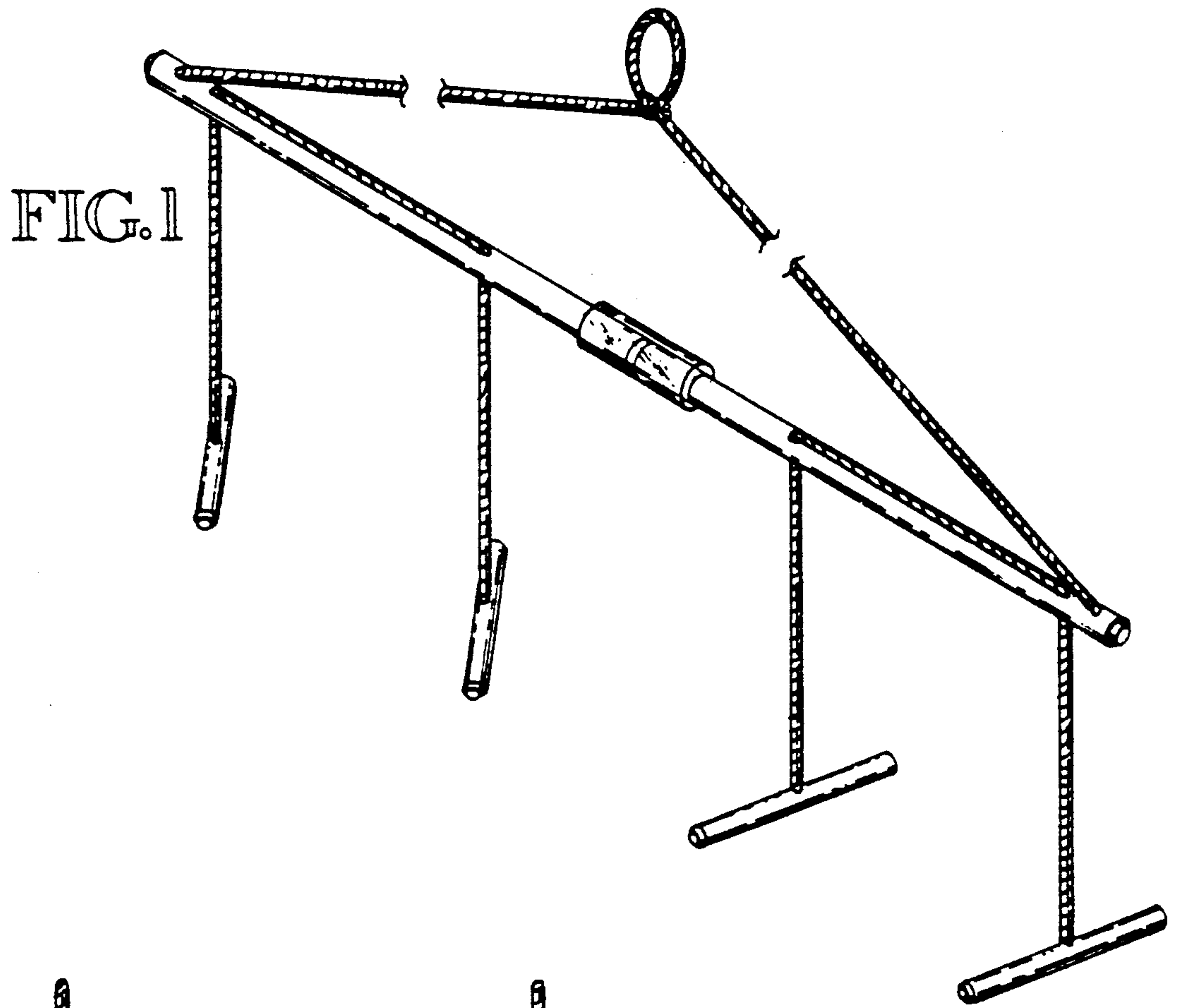


FIG. 1

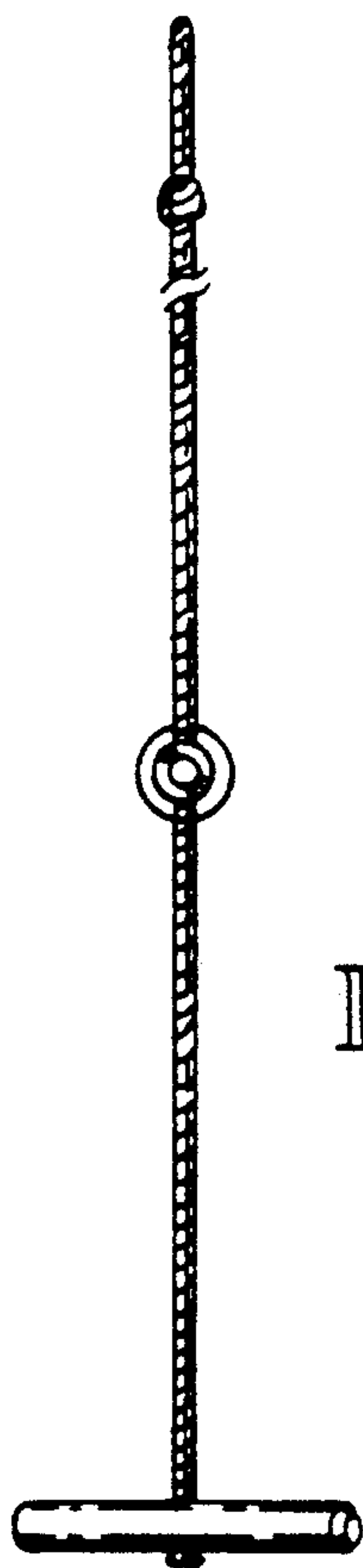


FIG. 6

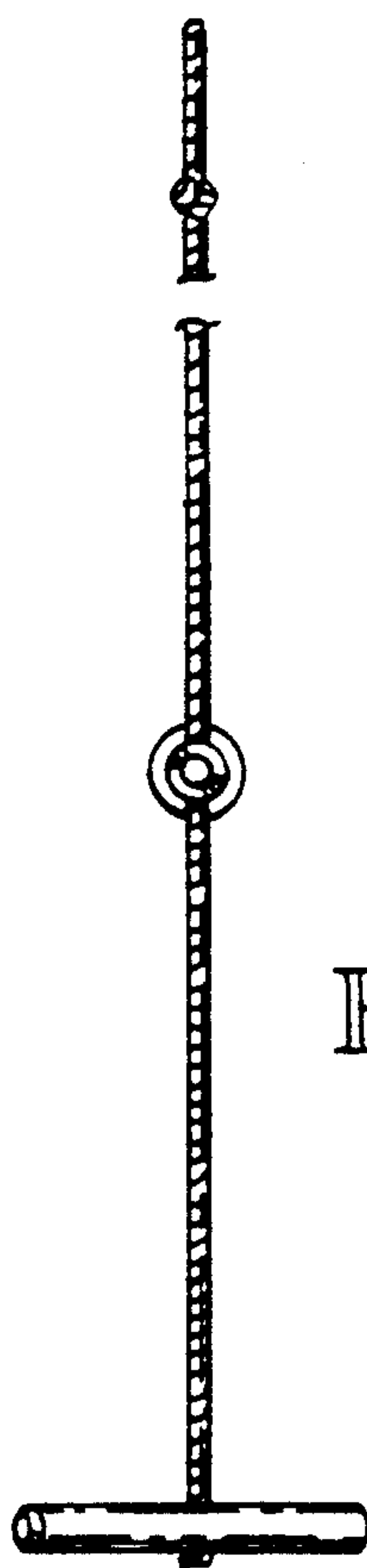


FIG. 7

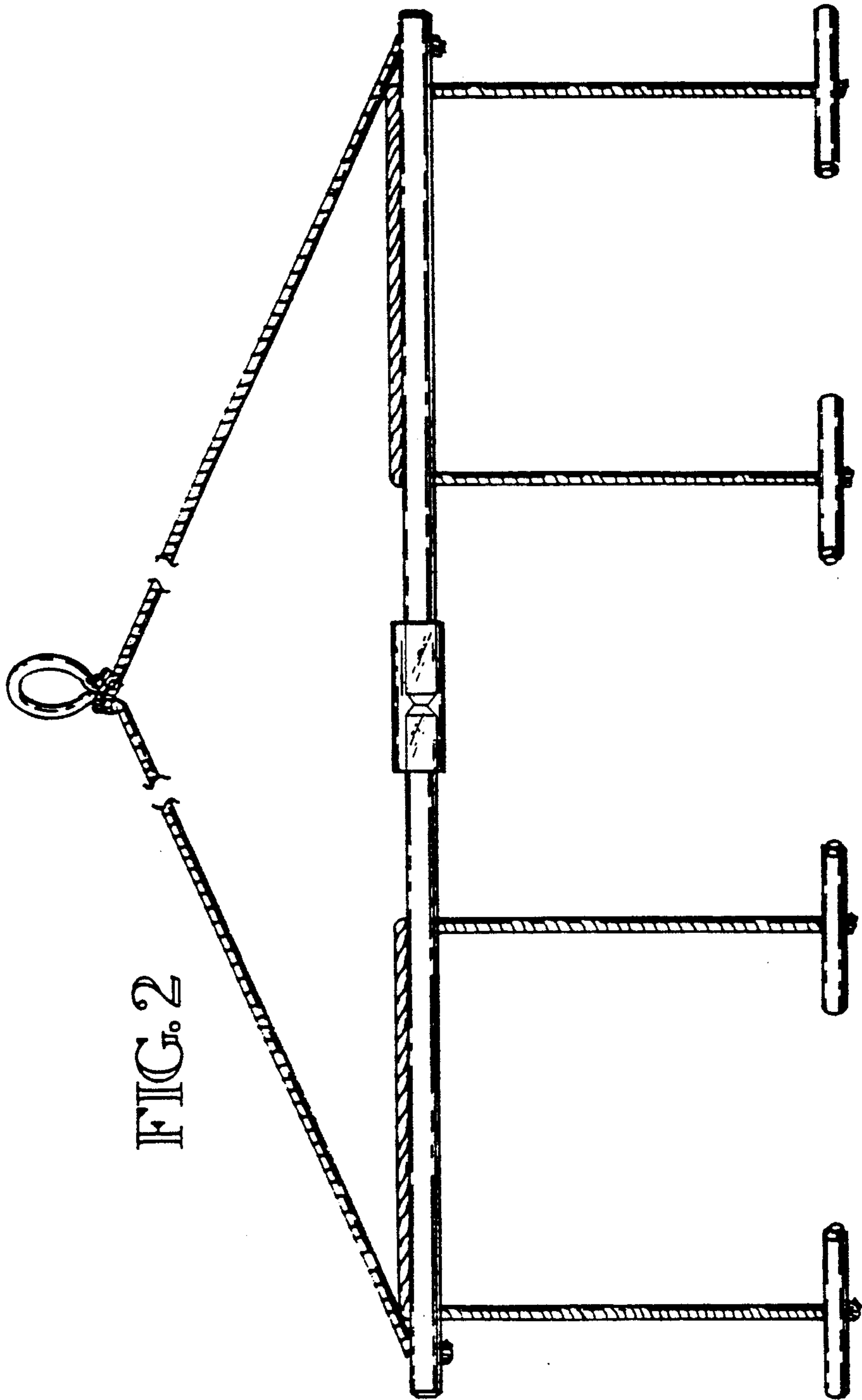


FIG. 2

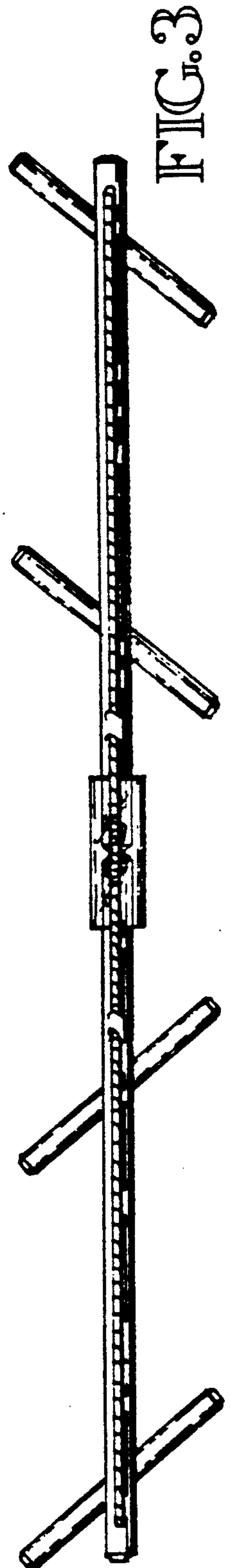


FIG. 3

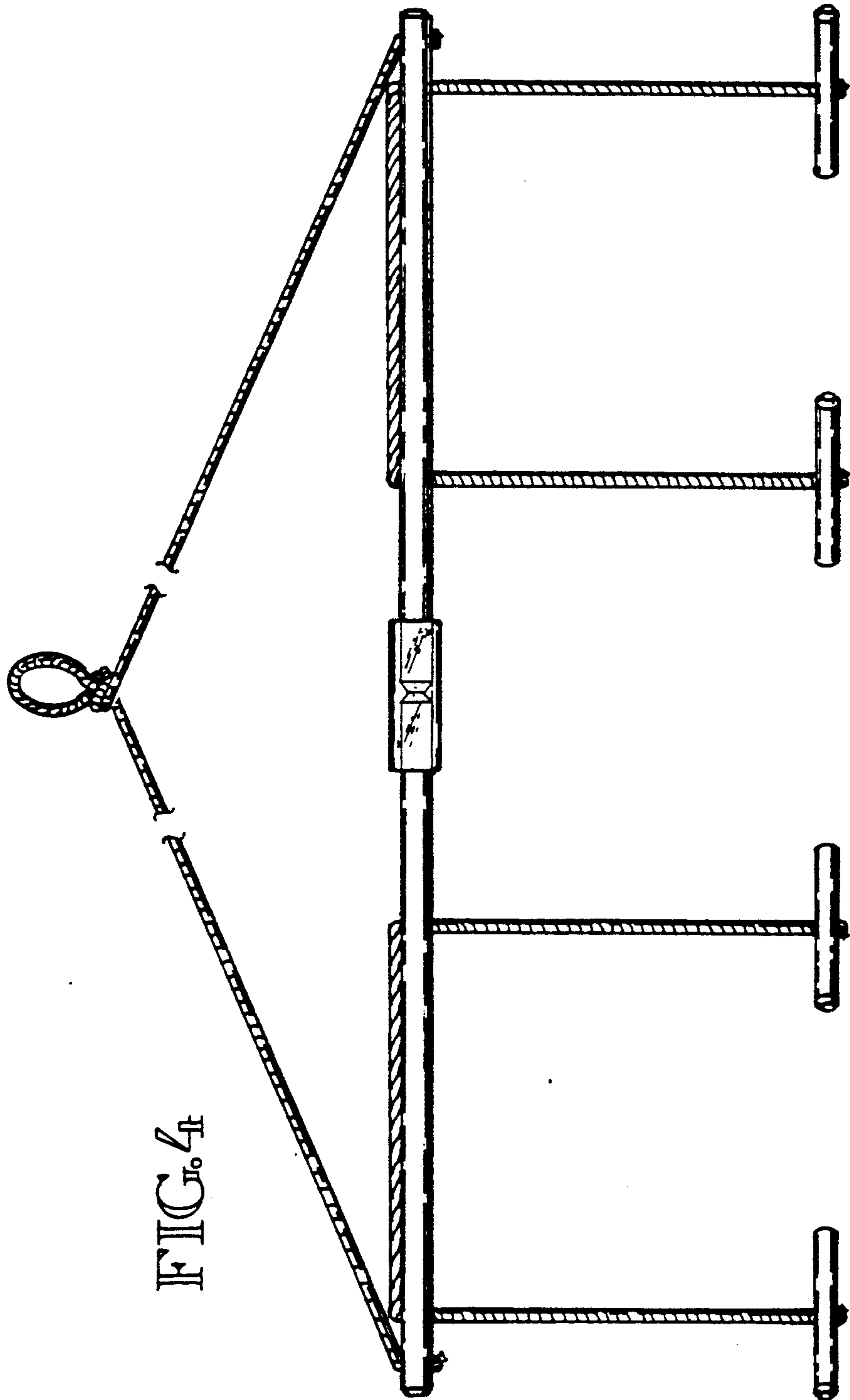


FIG. 4

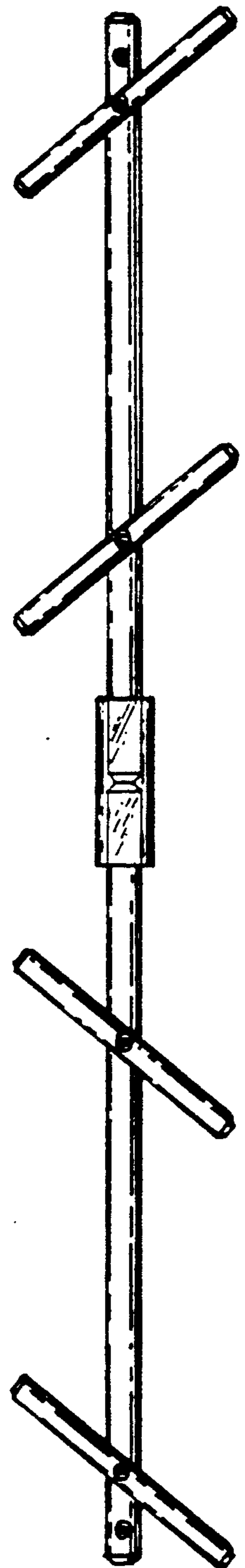


FIG. 5