



US00D342356S

United States Patent [19]

[11] Patent Number: Des. 342,356

Gratopp

[45] Date of Patent: ** Dec. 14, 1993

[54] **DEVICE FOR CLEANING PAINT ROLLERS**

4,811,749 3/1989 Dixon 134/200
4,832,066 5/1989 Shipman 134/200

[76] Inventor: **Merlin Gratopp**, 766 Michigan,
Lincoln Park, Mich. 48146

Primary Examiner—Wallace R. Burke
Assistant Examiner—Lavone D. Tabor
Attorney, Agent, or Firm—Terry M. Gernstein

[**] Term: **14 Years**

[21] Appl. No.: **791,610**

[57] **CLAIM**

[22] Filed: **Nov. 13, 1991**

The ornamental design for a device for cleaning paint rollers, as shown and described.

[52] U.S. Cl. **D32/35**

[58] Field of Search **D32/35; 68/213;**
134/138-139, 149, 151, 153; 401/9-11, 15

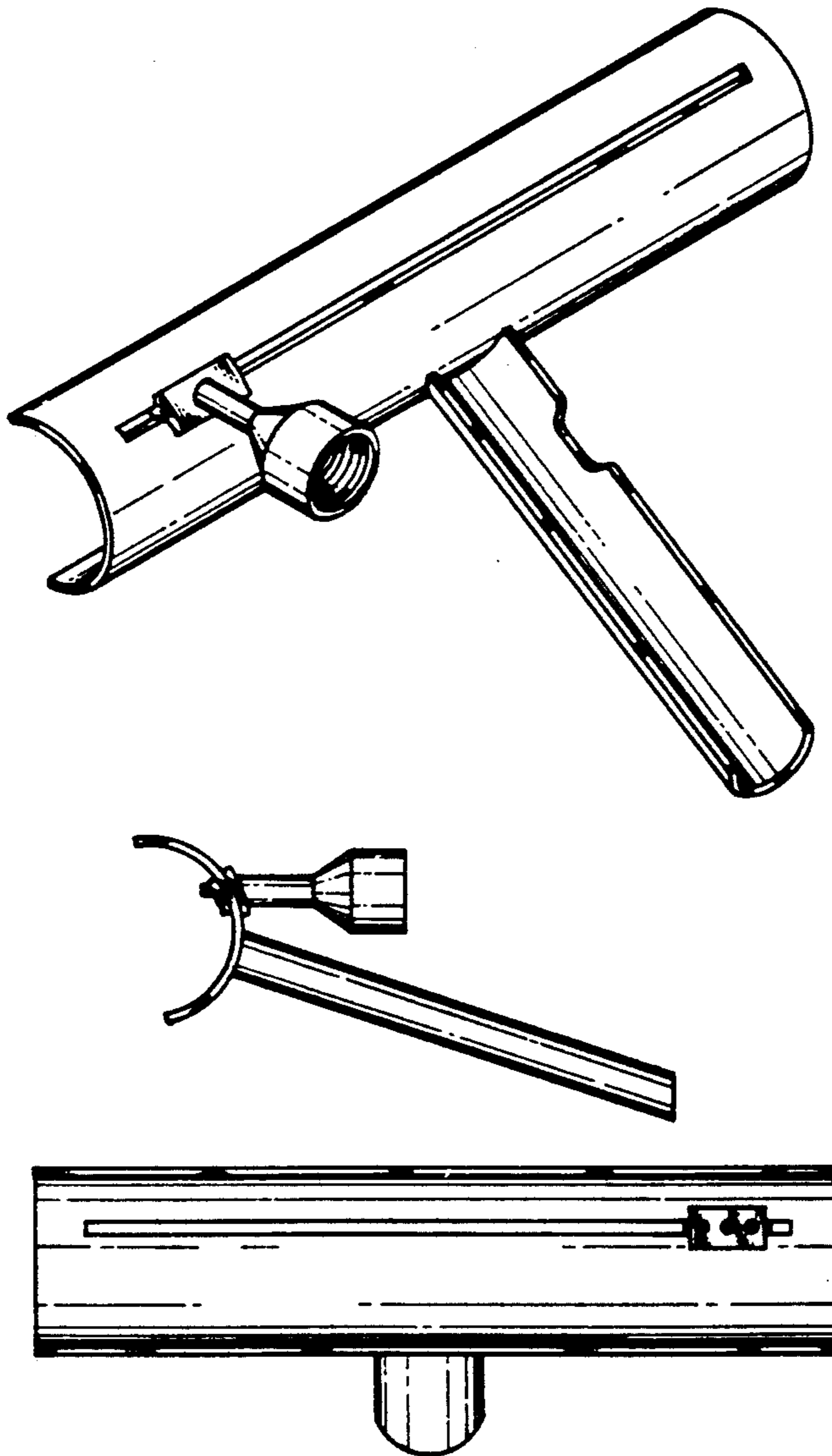
DESCRIPTION

[56] **References Cited**

U.S. PATENT DOCUMENTS

D. 267,123	11/1982	Fuller	D32/35
3,139,891	7/1964	Faustman	134/138
3,422,828	1/1969	Dommer	134/138
3,755,840	9/1973	Barger	134/138 X
4,809,722	3/1989	Pennise	134/200

FIG. 1 is a perspective view of the device for cleaning paint rollers embodying the design of the present invention;
FIG. 2 is a side elevational view thereof;
FIG. 3 is the opposite side of that shown in FIG. 2;
FIG. 4 is a front elevational view thereof;
FIG. 5 is a rear elevational view thereof;
FIG. 6 is a top plan view thereof; and,
FIG. 7 is a bottom view thereof.



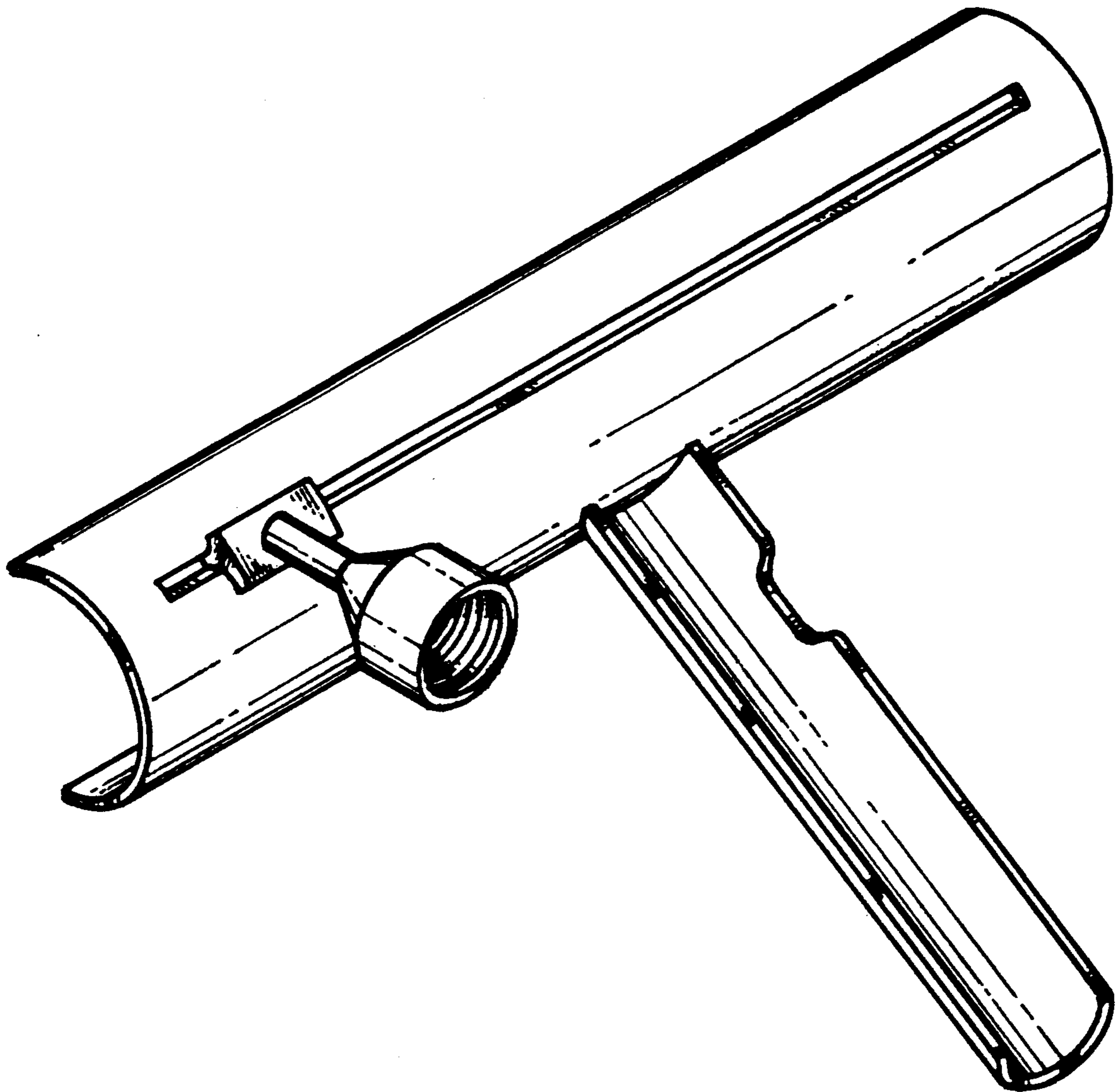


FIG.1

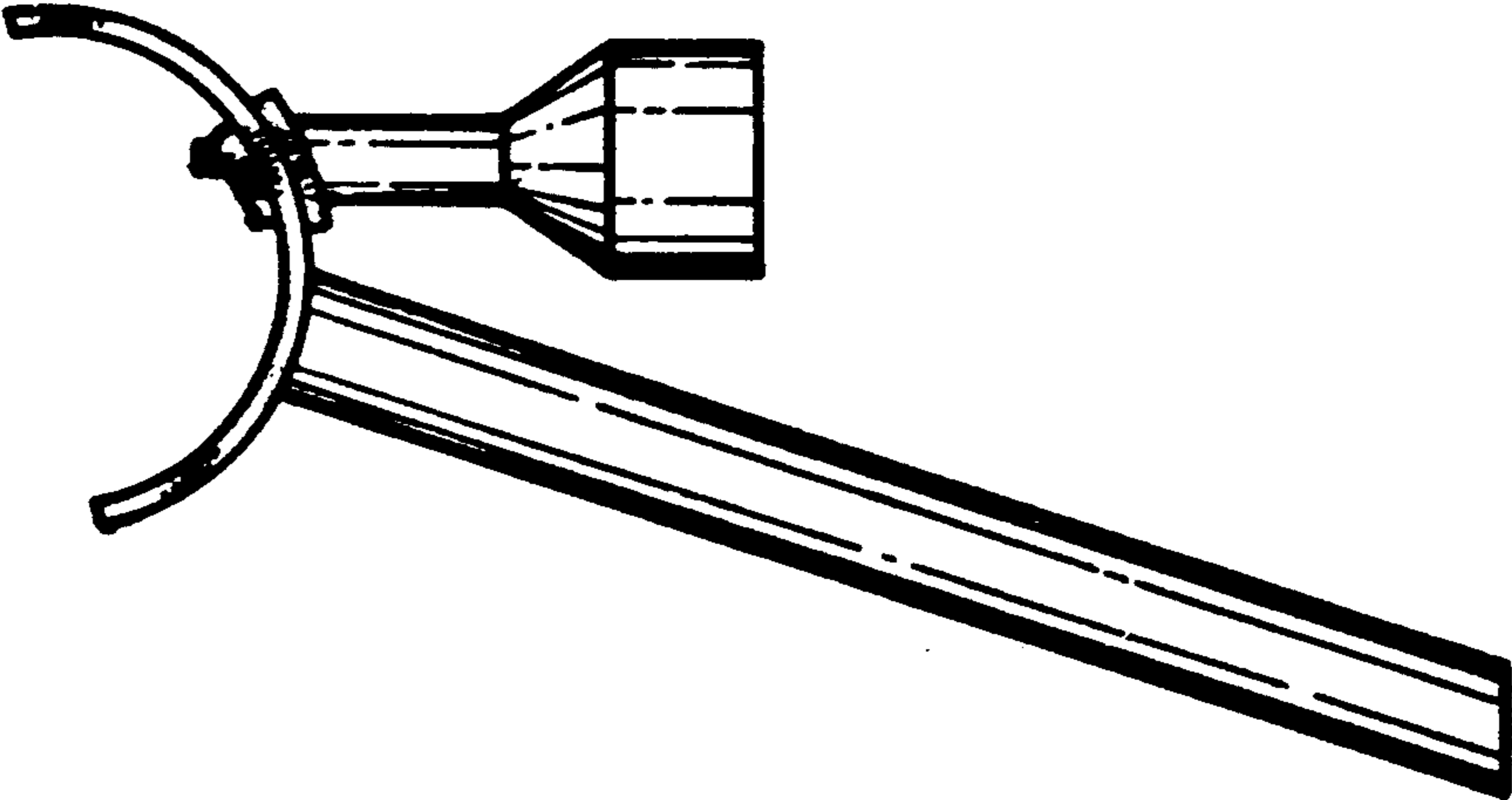


FIG. 2

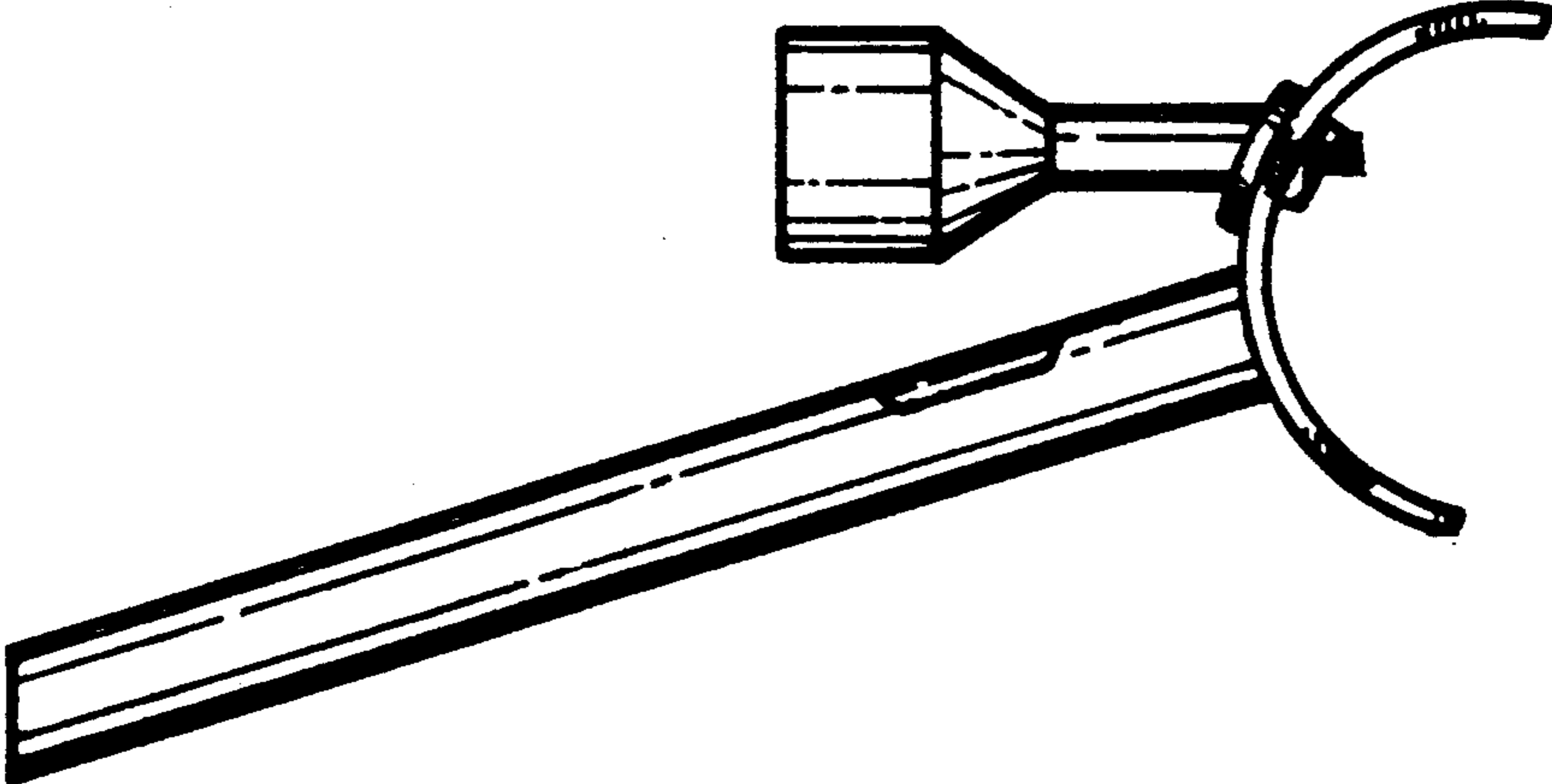


FIG. 3

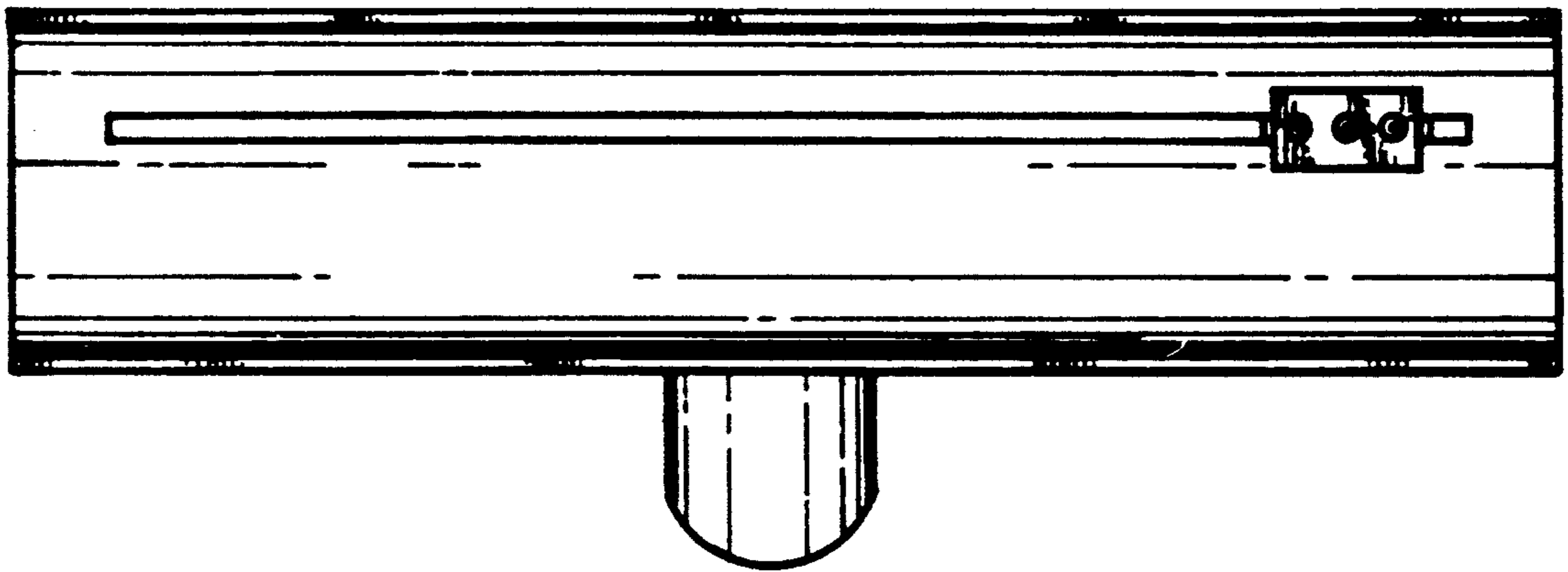


FIG. 4

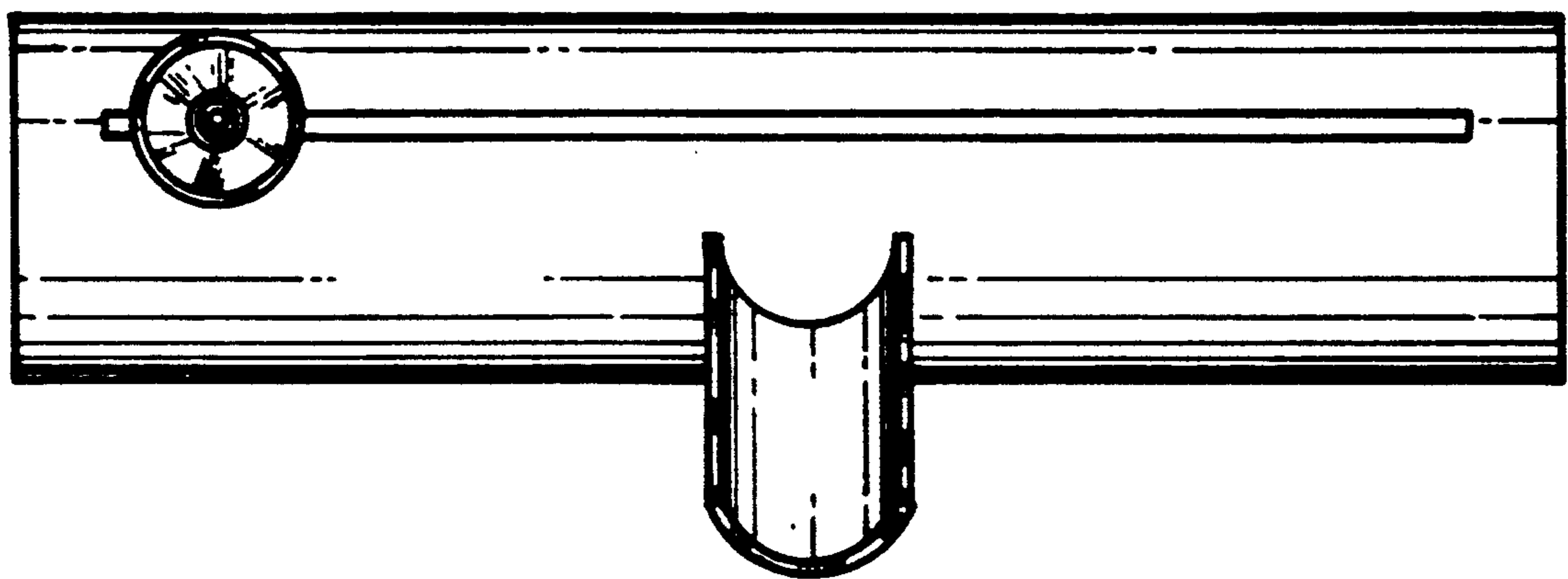


FIG. 5

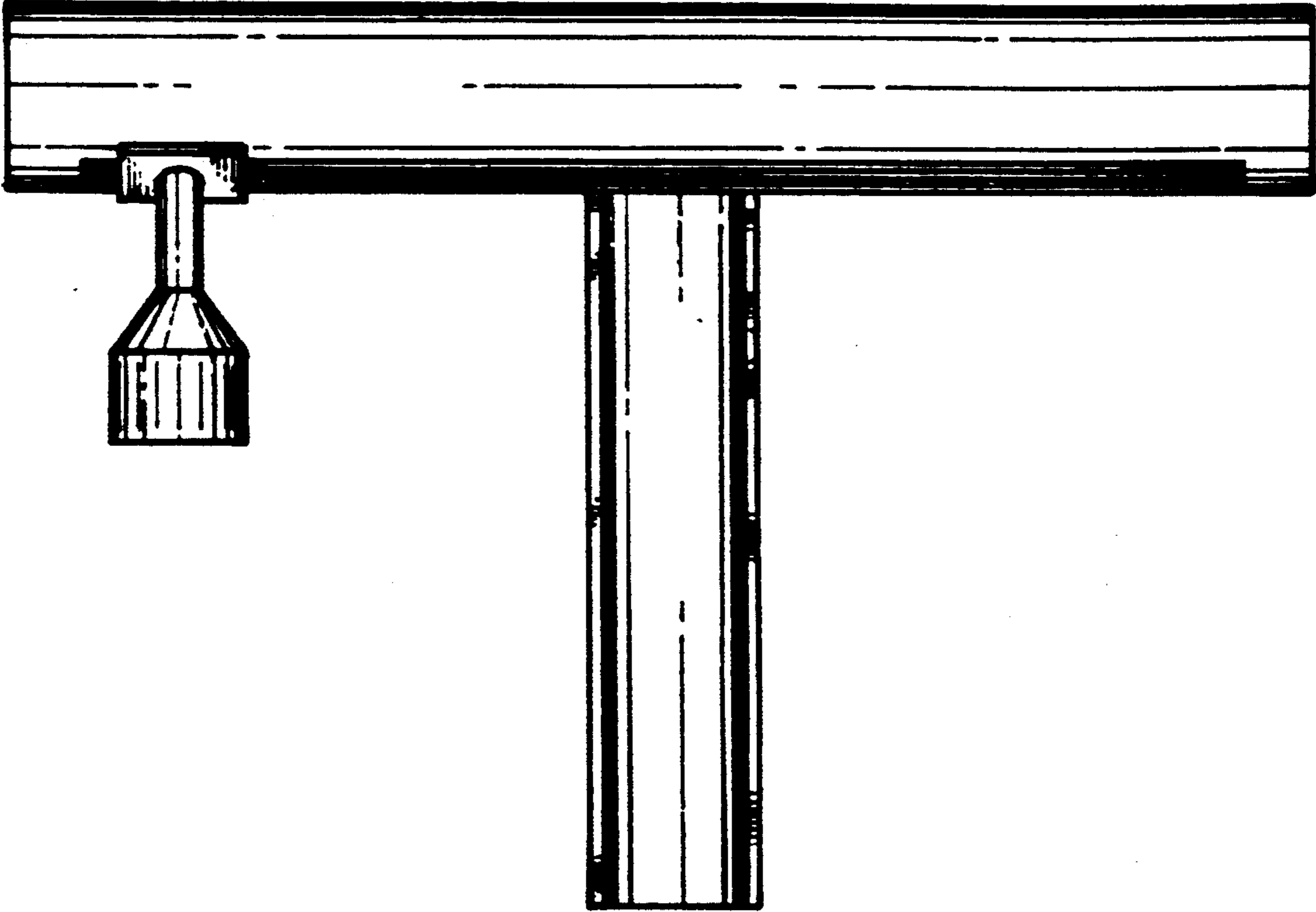


FIG. 6

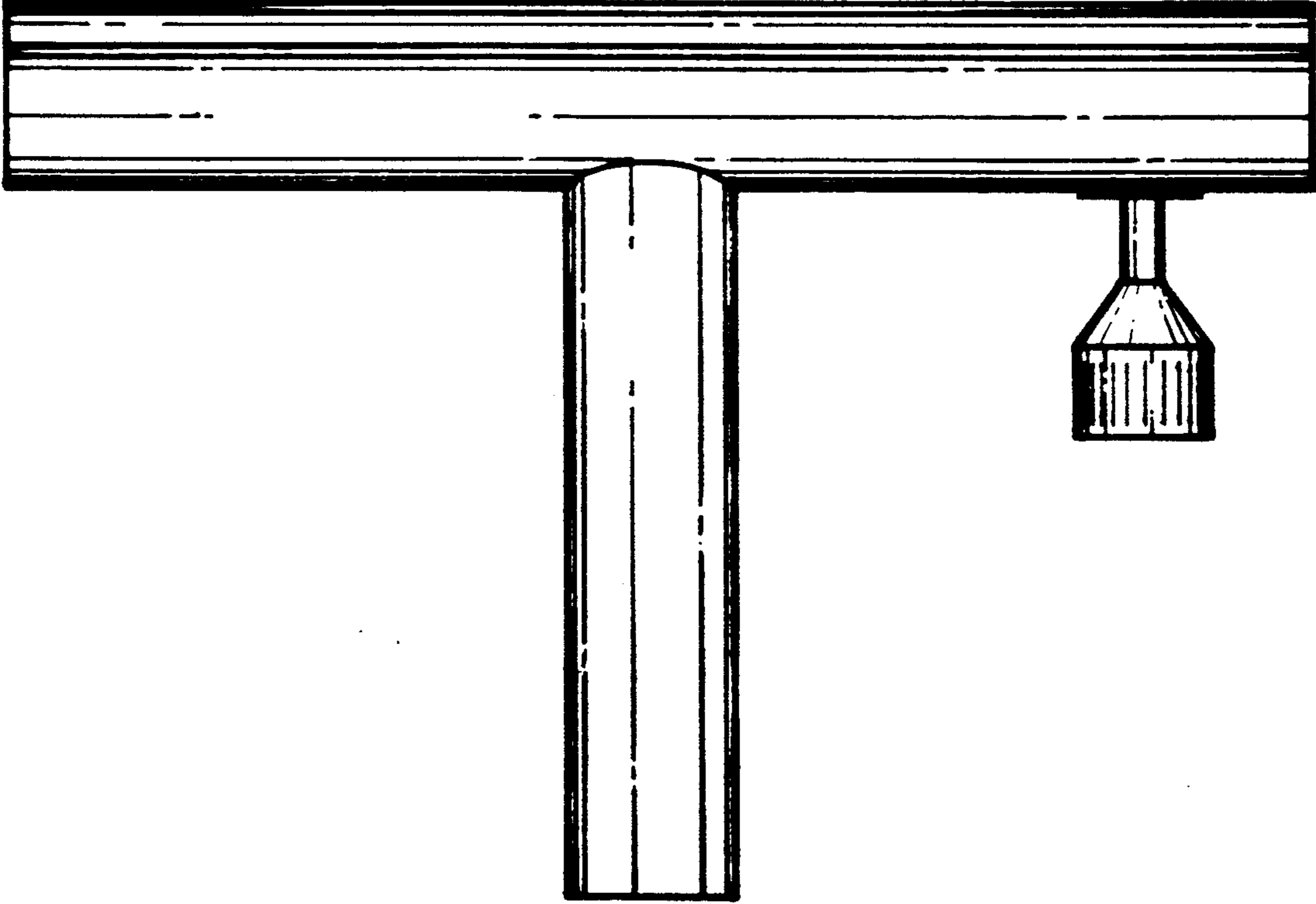


FIG. 7