



US00D342355S

# United States Patent [19] Schildkraut

[11] Patent Number: Des. 342,355  
[45] Date of Patent: \*\* Dec. 14, 1993

- [54] SQUEEGEE
- [75] Inventor: Micki Schildkraut, Great Neck, N.Y.
- [73] Assignee: E & B. Giftware, Inc., Mt. Vernon, N.Y.
- [\*\*] Term: 14 Years
- [21] Appl. No.: 752,333
- [22] Filed: Aug. 30, 1991
- [52] U.S. Cl. .... D32/41
- [58] Field of Search ..... D4/132, 138;  
D32/40-42, 48-49; 15/121, 143.1, 147.1,  
236.01, 236.02, 245, 245.1; 30/169; 401/285

1,794,048 2/1931 Wright ..... 15/147.1 X  
2,756,449 7/1956 Dewey ..... 401/285

*Primary Examiner*—Wallace R. Burke  
*Assistant Examiner*—Lavone D. Tabor  
*Attorney, Agent, or Firm*—Schweitzer Cornman & Gross

### [57] CLAIM

The ornamental design for a squeegee, as shown and described.

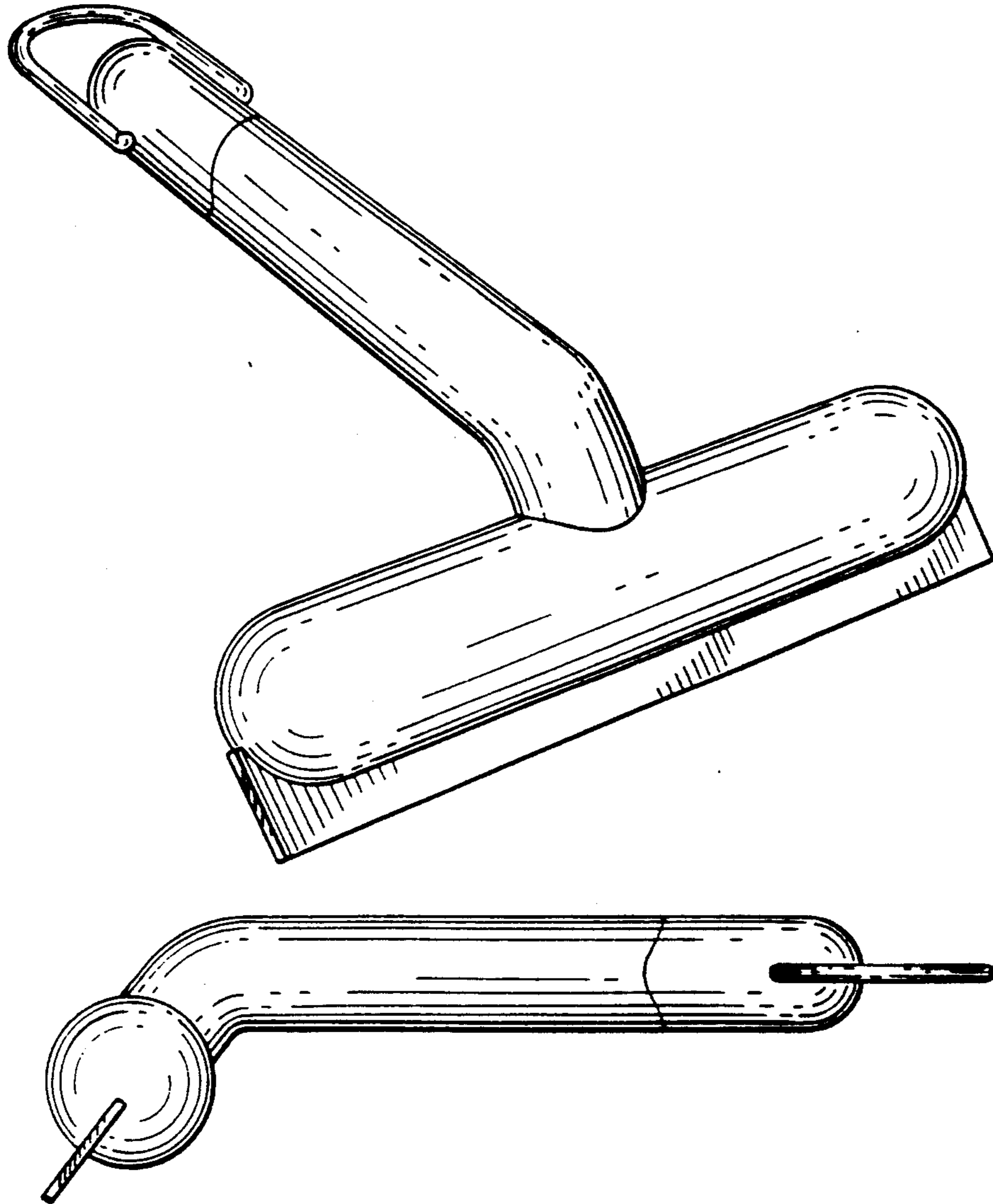
### DESCRIPTION

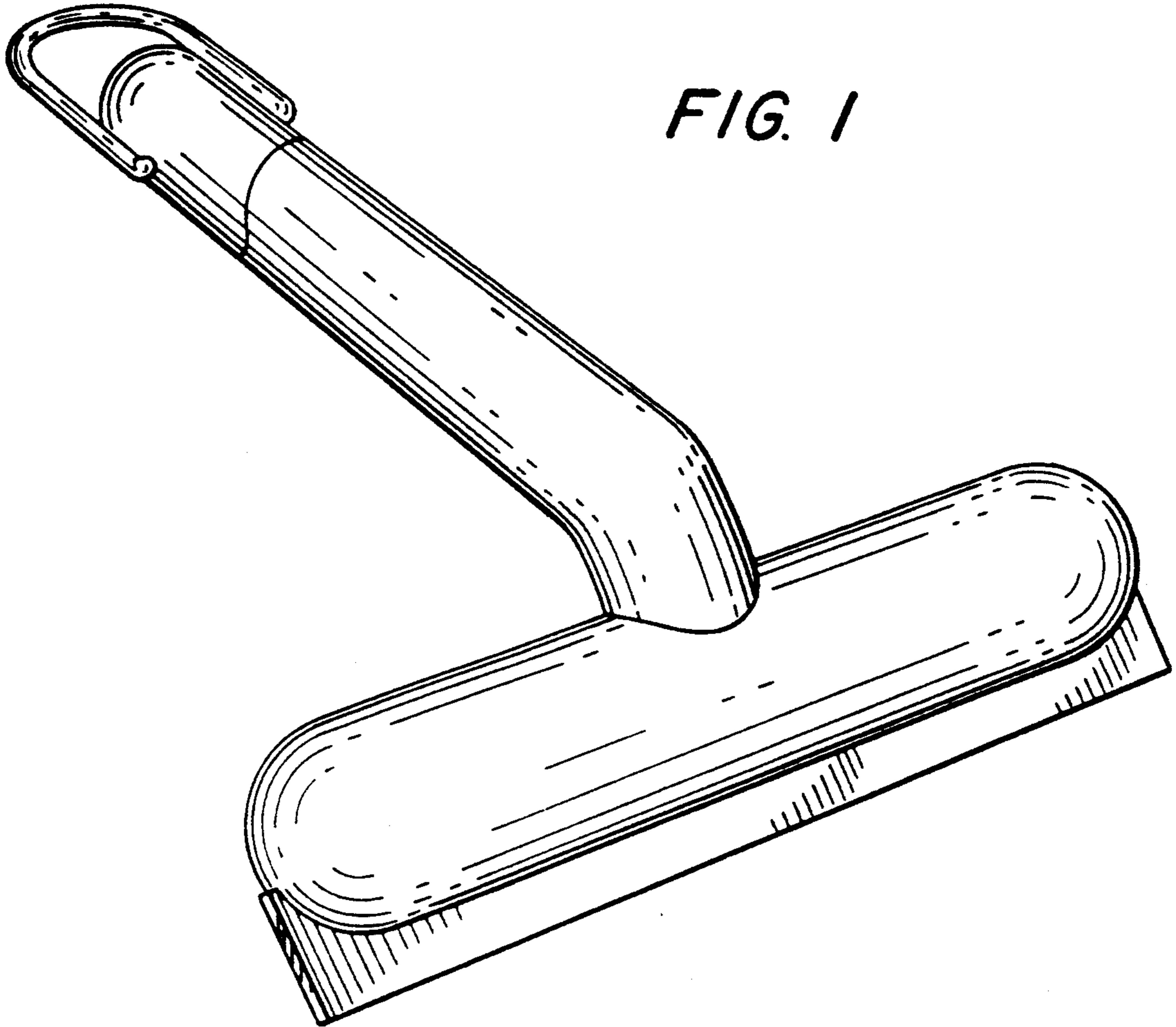
FIG. 1 is a top perspective view of a squeegee embodying my new design;  
FIG. 2 is a front elevation view thereof;  
FIG. 3 is a top plan view thereof;  
FIG. 4 is a right side elevation view thereof;  
FIG. 5 is a rear elevation view thereof; and,  
FIG. 6 is a bottom plan view thereof.

### [56] References Cited

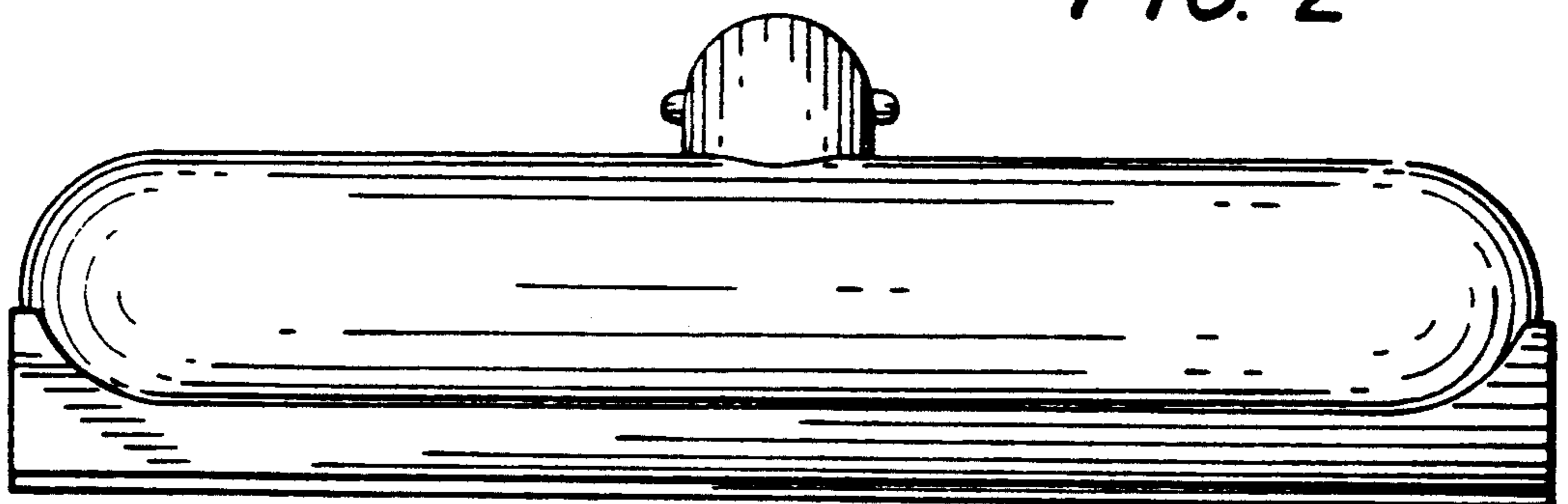
#### U.S. PATENT DOCUMENTS

- D. 100,225 6/1936 Porter ..... D4/132
- 635,462 10/1899 Bourke ..... 15/245

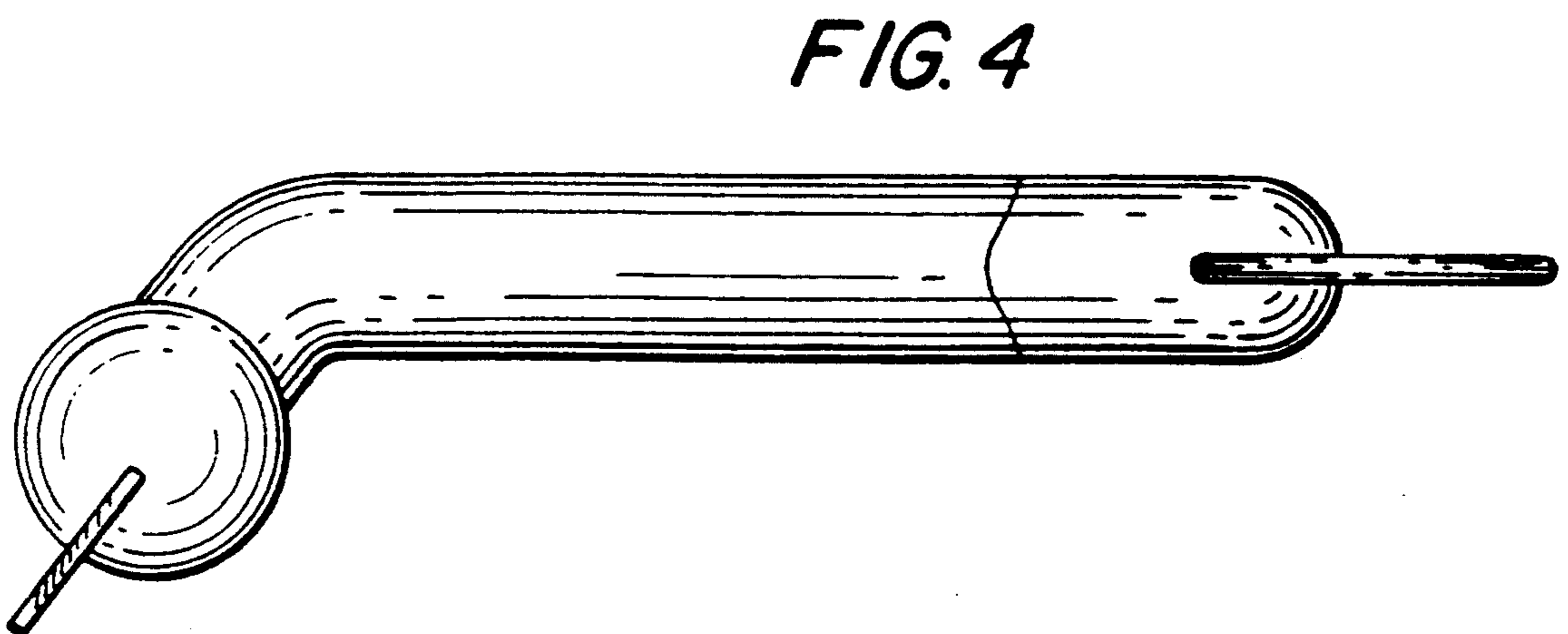
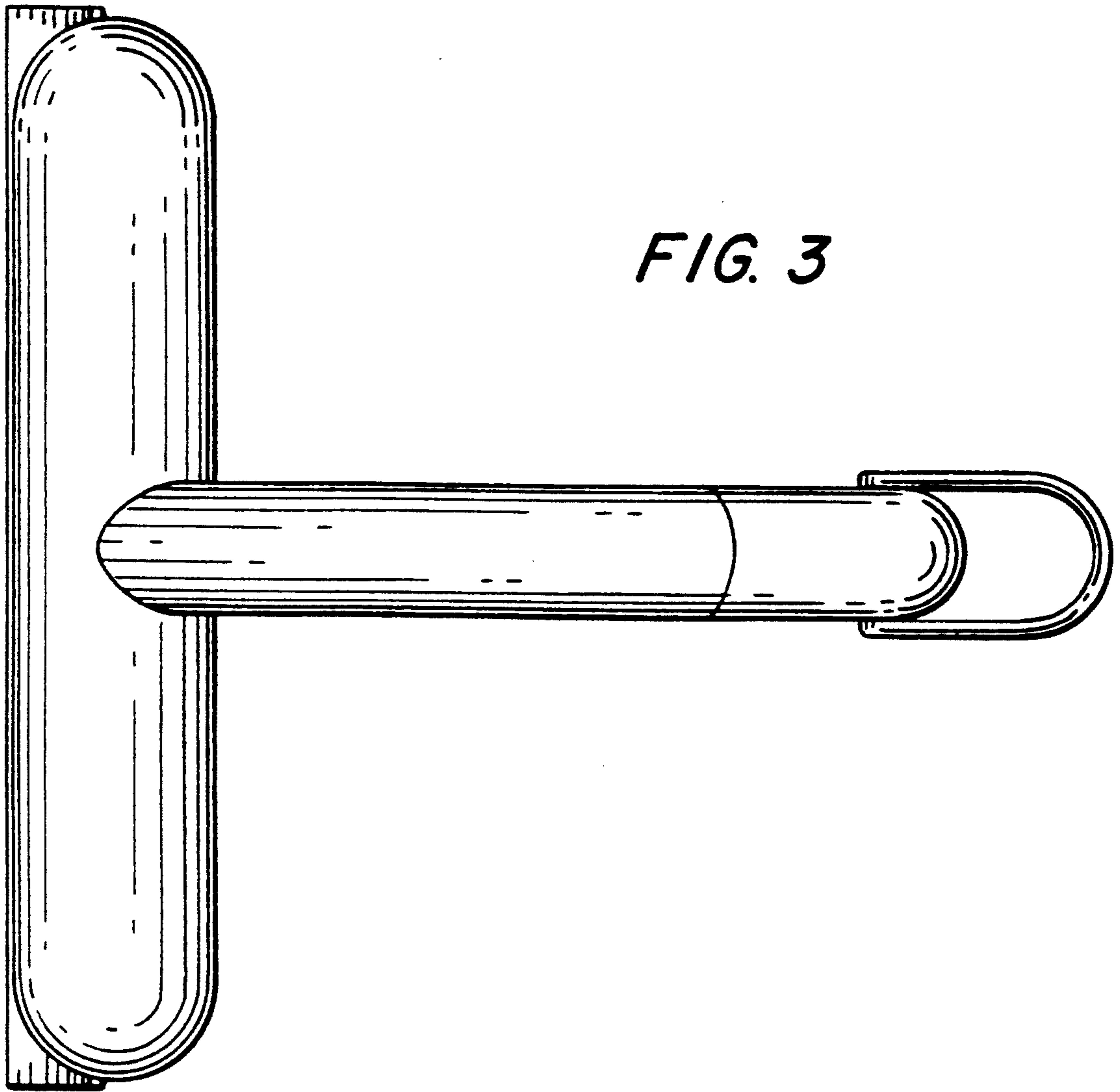




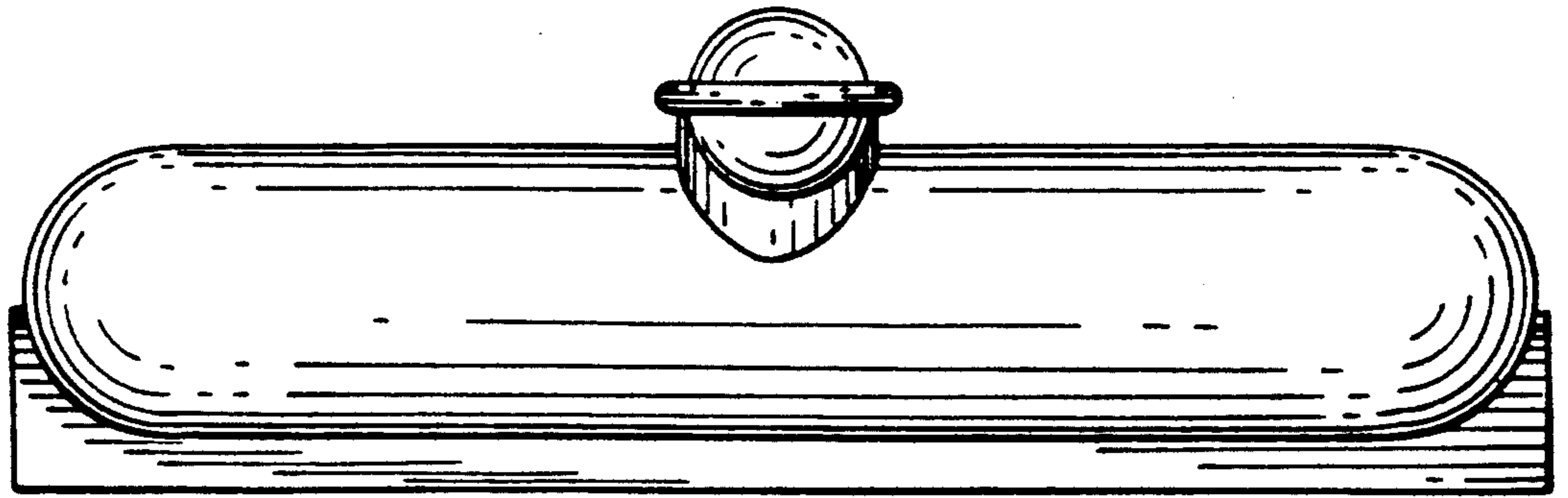
*FIG. 1*



*FIG. 2*



*FIG. 5*



*FIG. 6*

