



US00D342354S

United States Patent [19]

[11] Patent Number: **Des. 342,354**

Lopes

[45] Date of Patent: **** Dec. 14, 1993**

[54] COMBINED VACUUM CLEANER HOUSING AND DISPLAY PEDESTAL

Attorney, Agent, or Firm—Mark C. Jacobs

[75] Inventor: **Gene Lopes**, Sacramento, Calif.

[57] CLAIM

[73] Assignee: **Flash Vac Inc.**, Sacramento, Calif.

The ornamental design for combined vacuum cleaner housing and display pedestal, as shown and described.

[**] Term: **14 Years**

DESCRIPTION

[21] Appl. No.: **751,247**

FIG. 1 is a top, front and right side perspective view of a combined vacuum cleaner housing and display pedestal showing my new design;

[22] Filed: **Aug. 26, 1991**

FIG. 2 is a front elevational view thereof;

[52] U.S. Cl. **D32/21**

FIG. 3 is a right side elevational view thereof, the left side being a mirror image;

[58] Field of Search **D32/1, 4, 21; D6/398, D6/403, 432, 440, 449, 470, 455; 15/301, 306.1, 312.3, 314, 323**

FIG. 4 is a top plan view thereof;

FIG. 5 is a rear elevational view thereof;

[56] References Cited

U.S. PATENT DOCUMENTS

D. 326,005	5/1992	Andersen	D32/21
D. 326,543	5/1992	Zwicker	D32/21
4,194,262	3/1980	Finley et al.	15/314
4,202,070	5/1980	Harfst	15/314
4,706,326	11/1987	Romani	15/314

FIG. 6 is a rear elevational view of a second embodiment thereof, wherein the front and right side is the same as FIGS. 2 and 3;

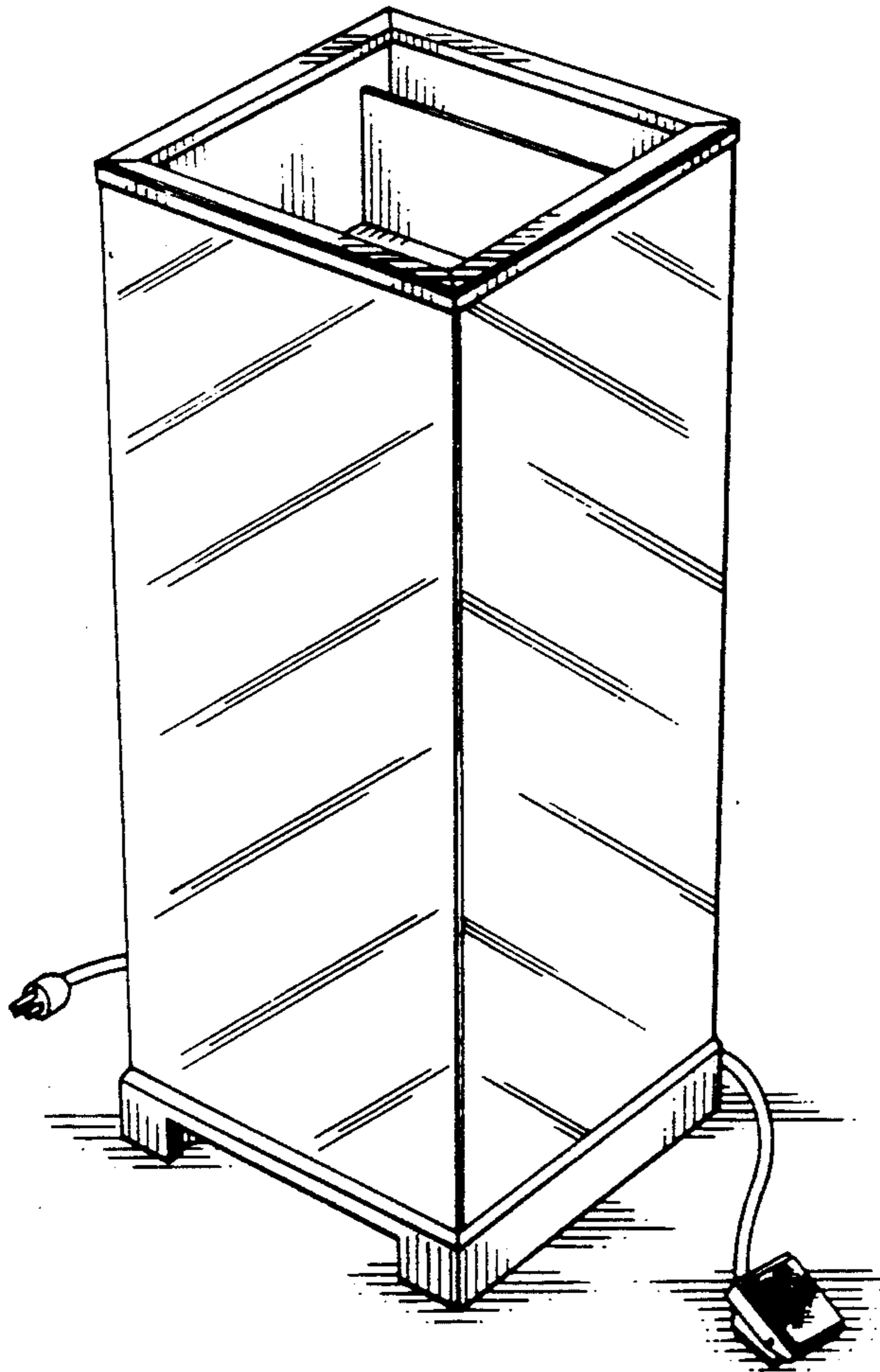
FIG. 7 is a bottom plan view of the first embodiment;

FIG. 8 is a top plan view of the second embodiment; and,

FIG. 9 is a bottom plan view thereof.

The electric cord and the foot pedal cord are shown broken away in FIGS. 2-9 and are understood to represent indeterminate length.

Primary Examiner—Ruth McInroy



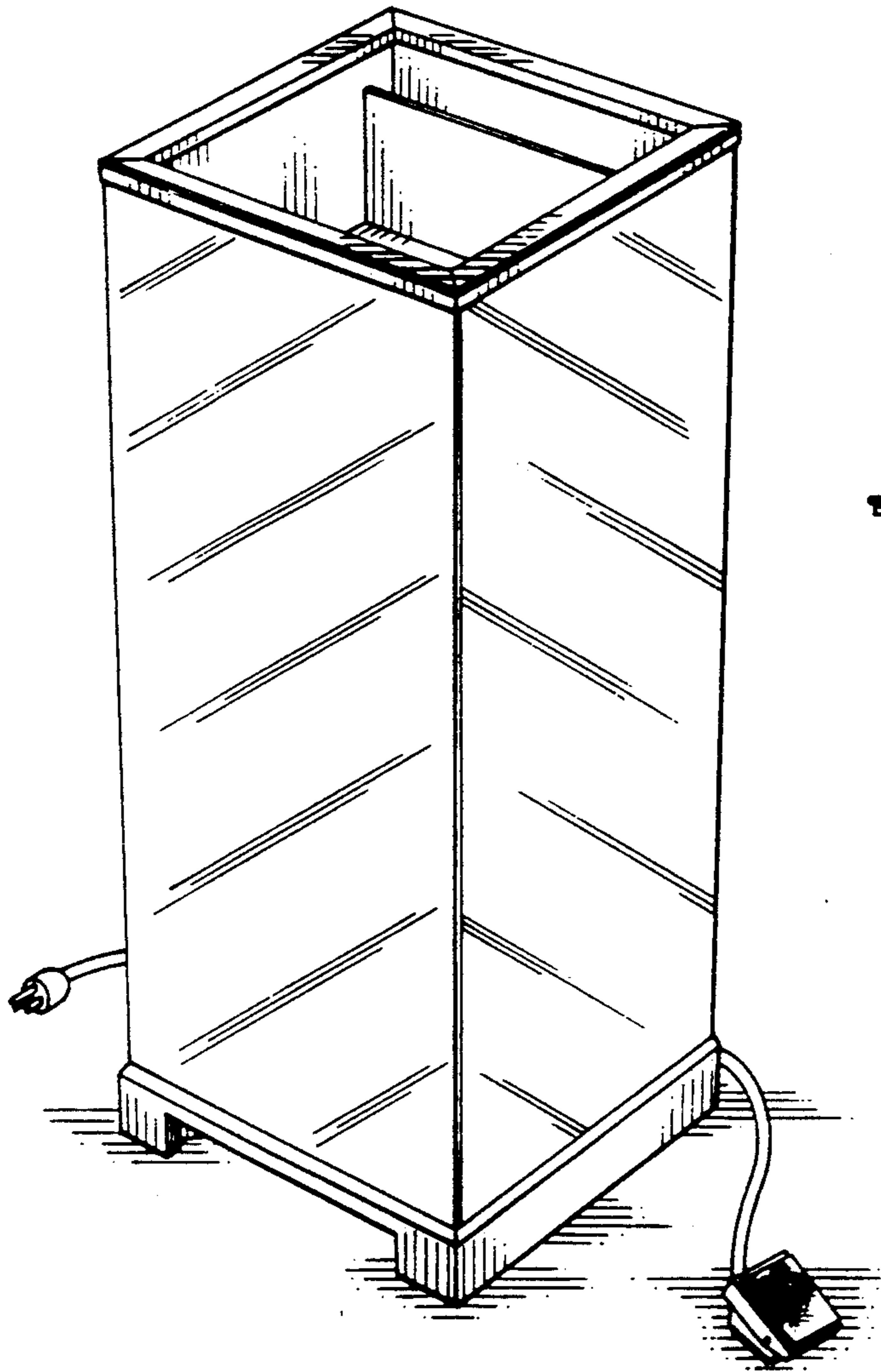


FIG. 1

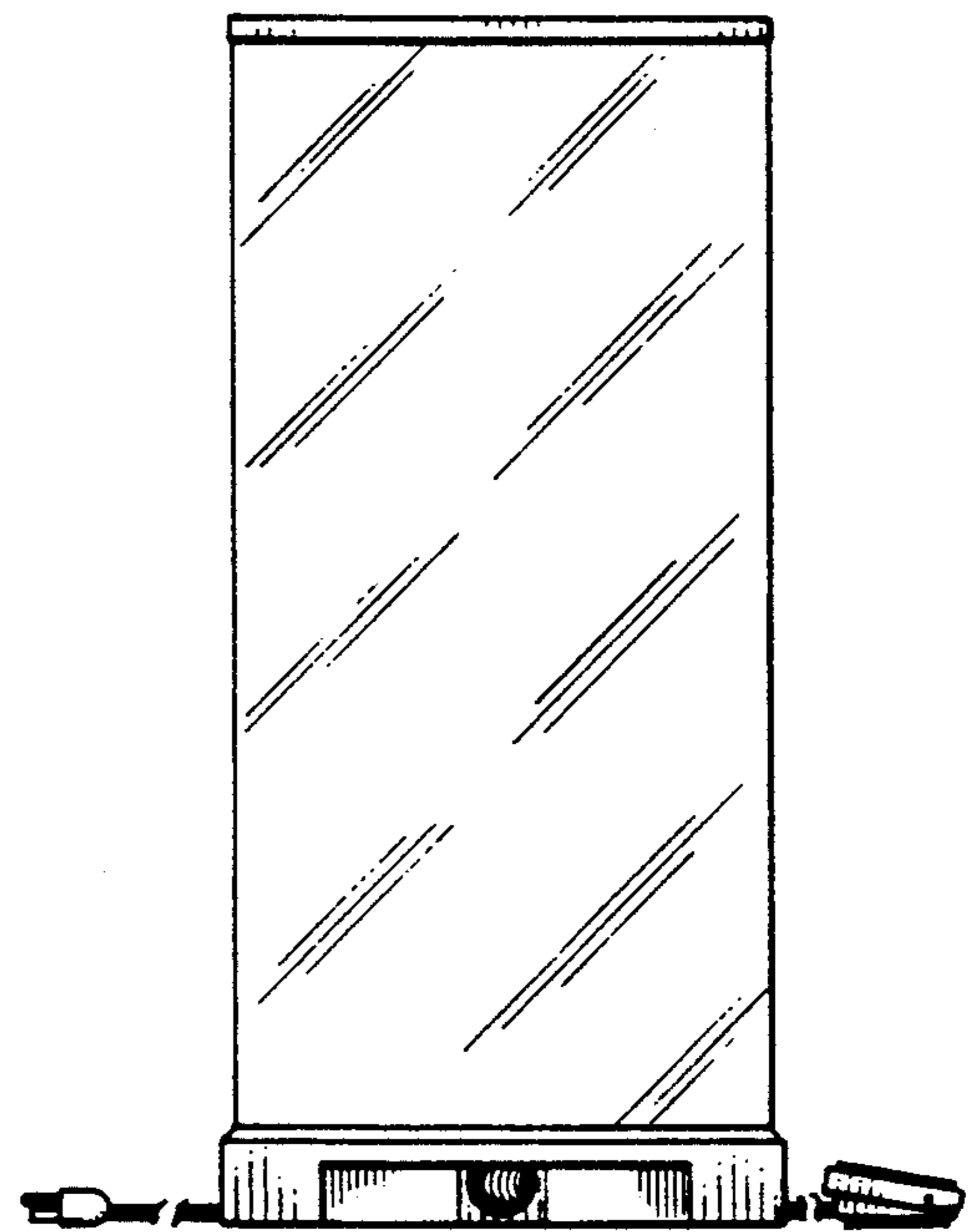


FIG. 2

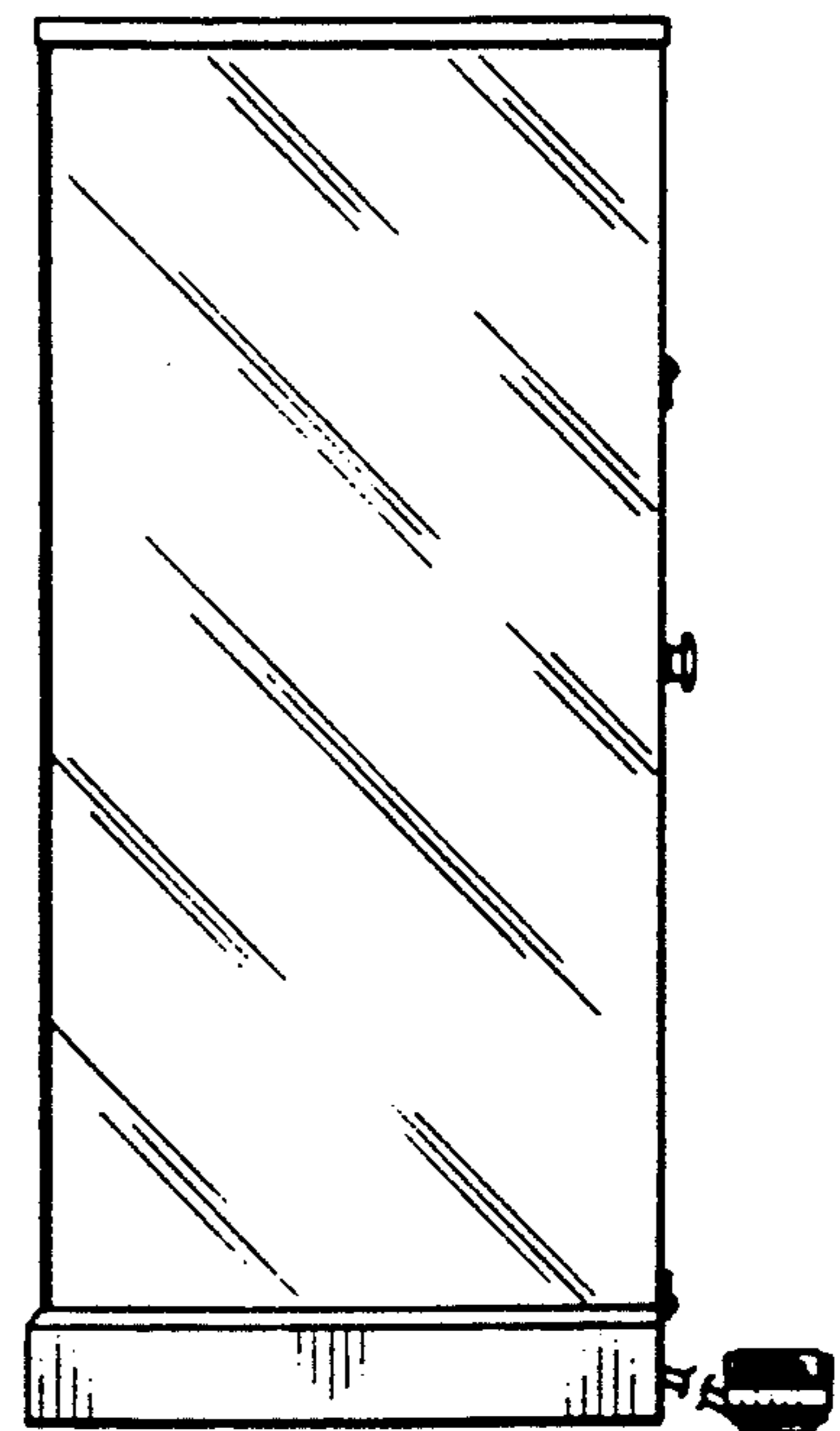


FIG. 3

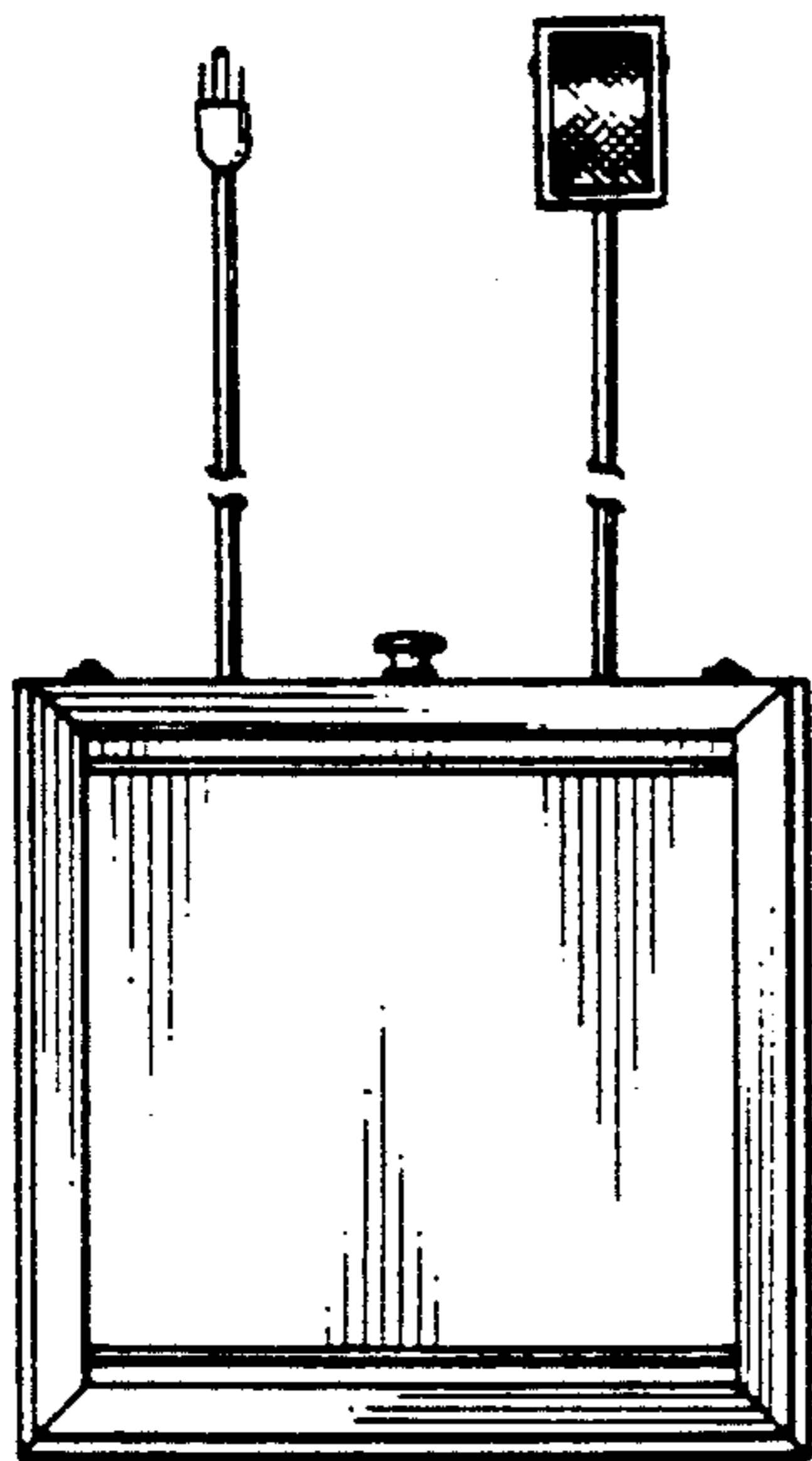


FIG. 4

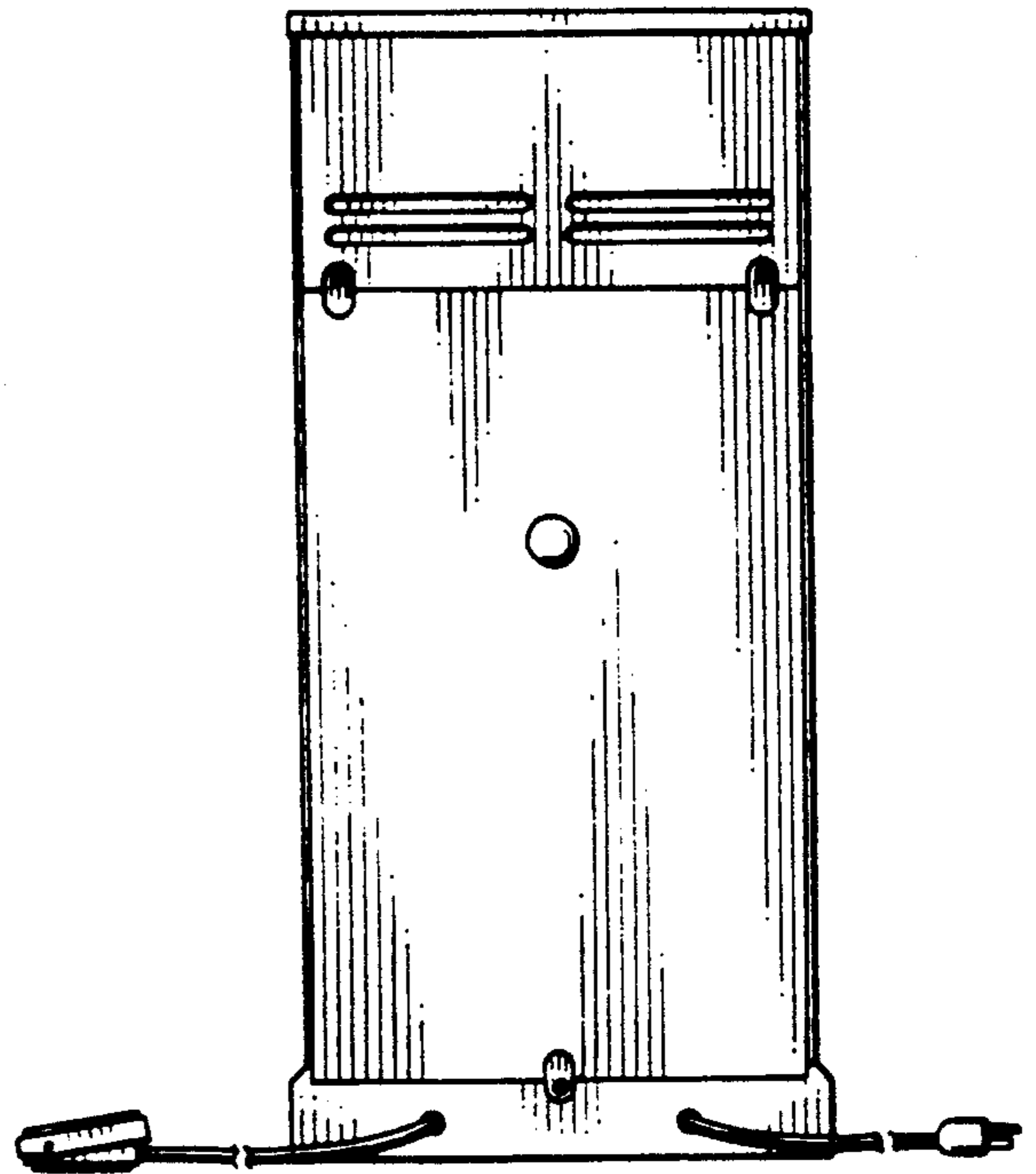


FIG. 5

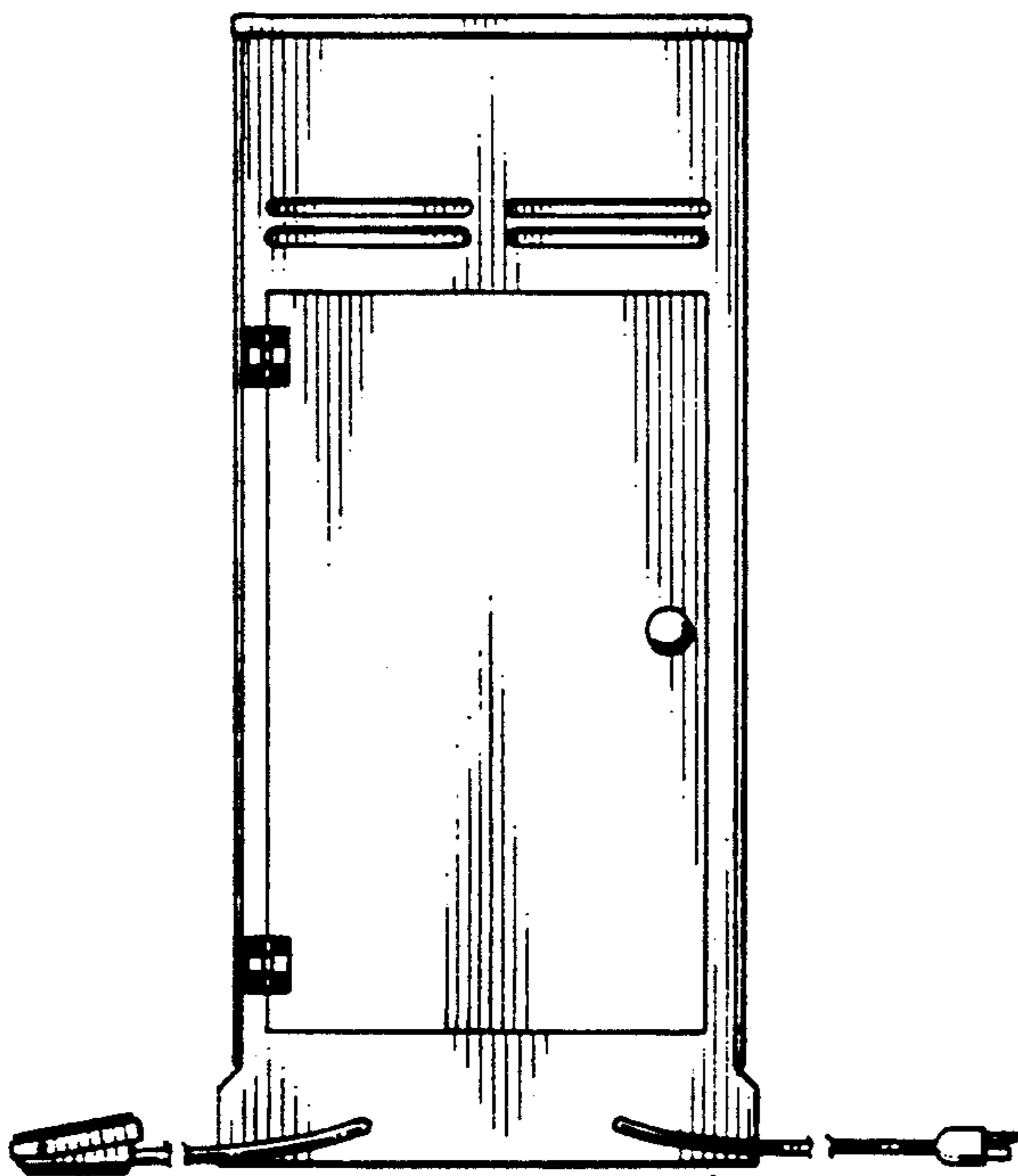


FIG. 6

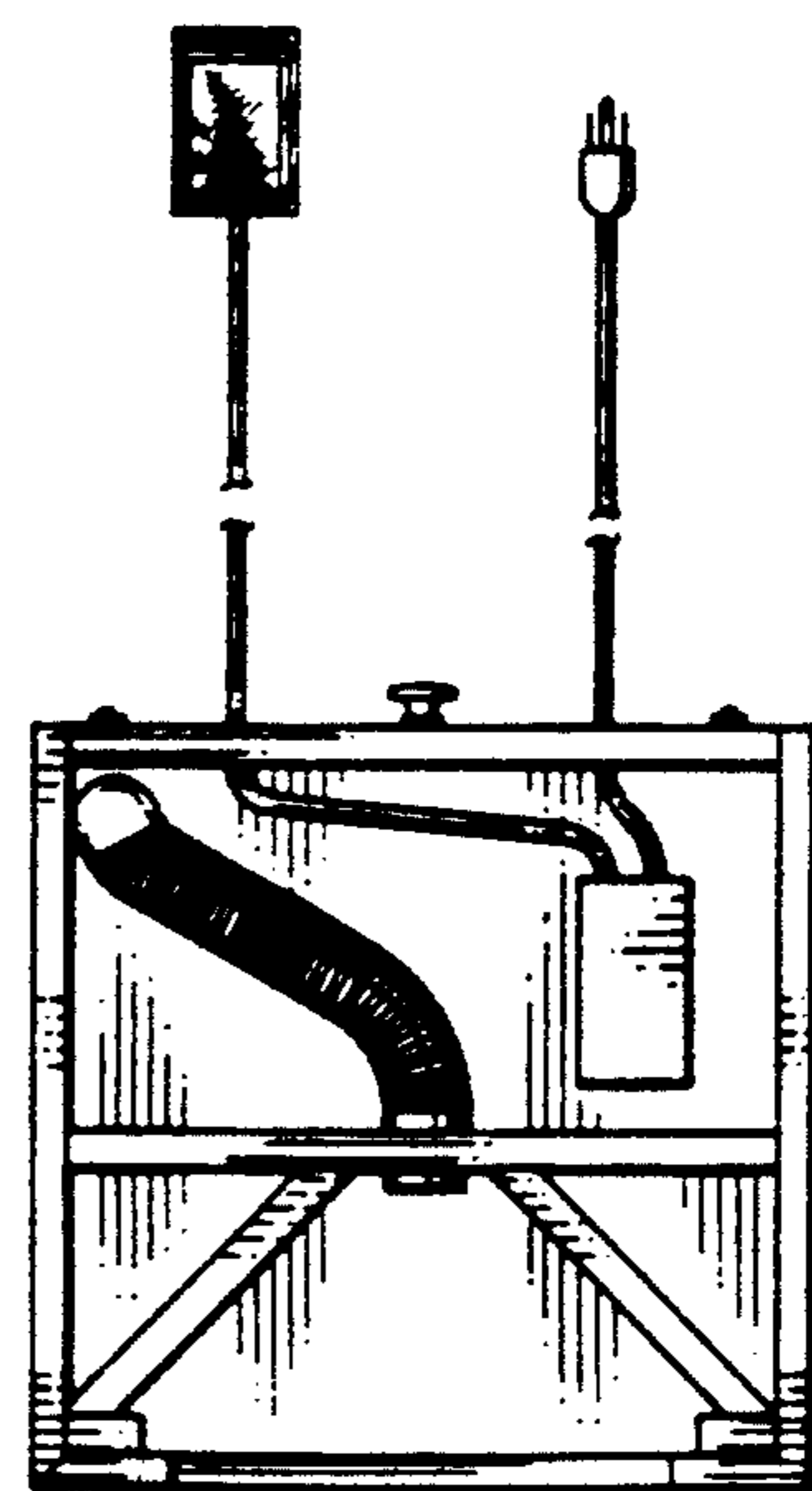


FIG. 7

FIG. 9

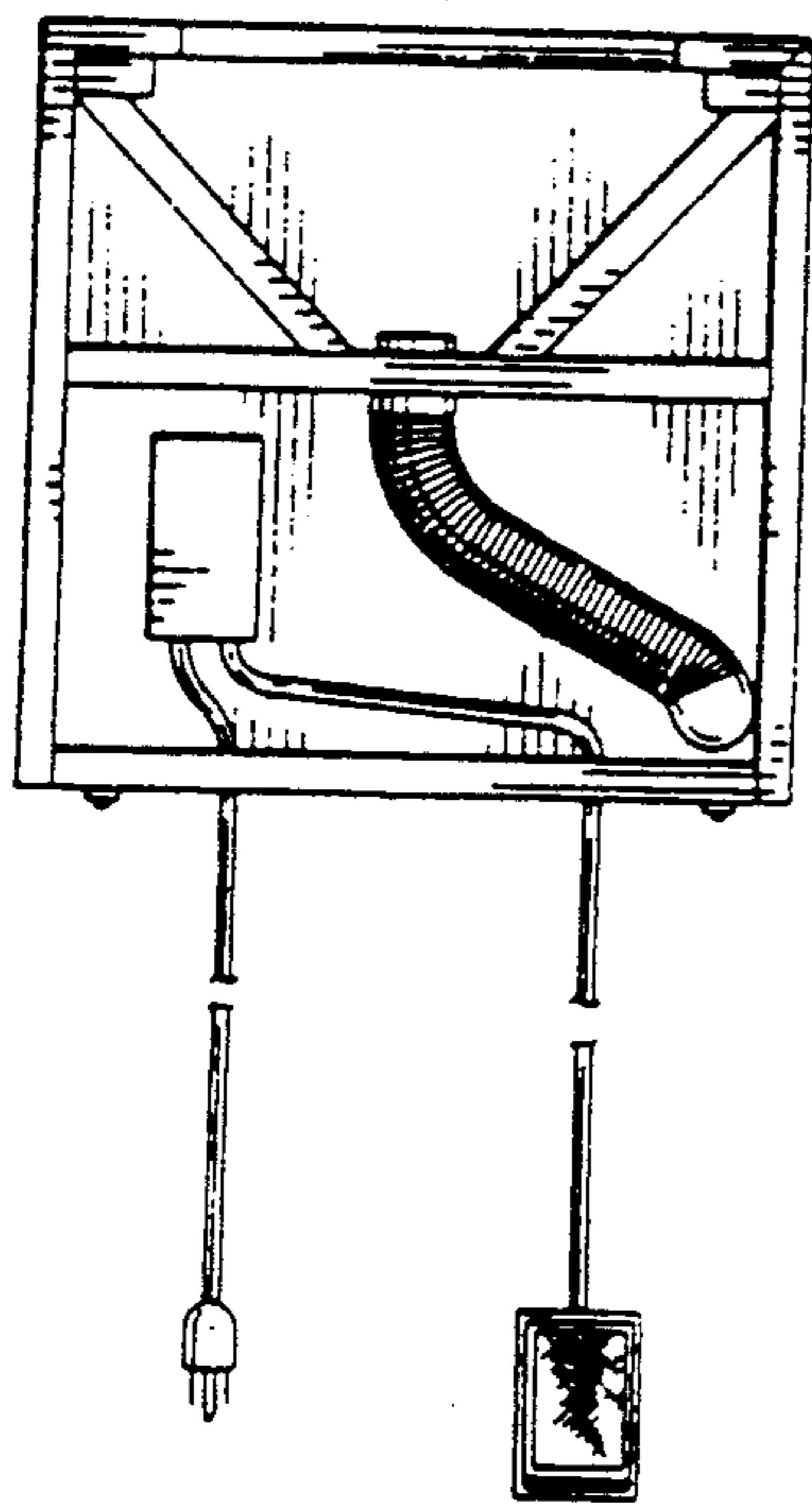


FIG. 8

