



US00D342349S

# United States Patent [19] Scheppard

[11] Patent Number: **Des. 342,349**

[45] Date of Patent: **\*\* Dec. 14, 1993**

[54] **BIRD HOUSE FOR BABY BIRDS**

4,838,205 6/1989 Larson ..... 119/52.2

[76] Inventor: **Betty Scheppard, Box 759 R.R. #2,  
Gillett, Pa. 16925**

### OTHER PUBLICATIONS

Colorful Images Catalog, p. 10; item 24-125 Barn Bird House.

[\*\*] Term: **14 Years**

*Primary Examiner*—A. Hugo Word  
*Assistant Examiner*—Cathy Anne MacCormac  
*Attorney, Agent, or Firm*—Terry M. Gernstein

[21] Appl. No.: **837,419**

[22] Filed: **Feb. 20, 1992**

[52] U.S. Cl. .... **D30/110**

[58] Field of Search ..... 119/23, 57.9, 52.2;  
D30/110-111

### [57] CLAIM

The ornamental design for a bird house for baby birds, as shown and described.

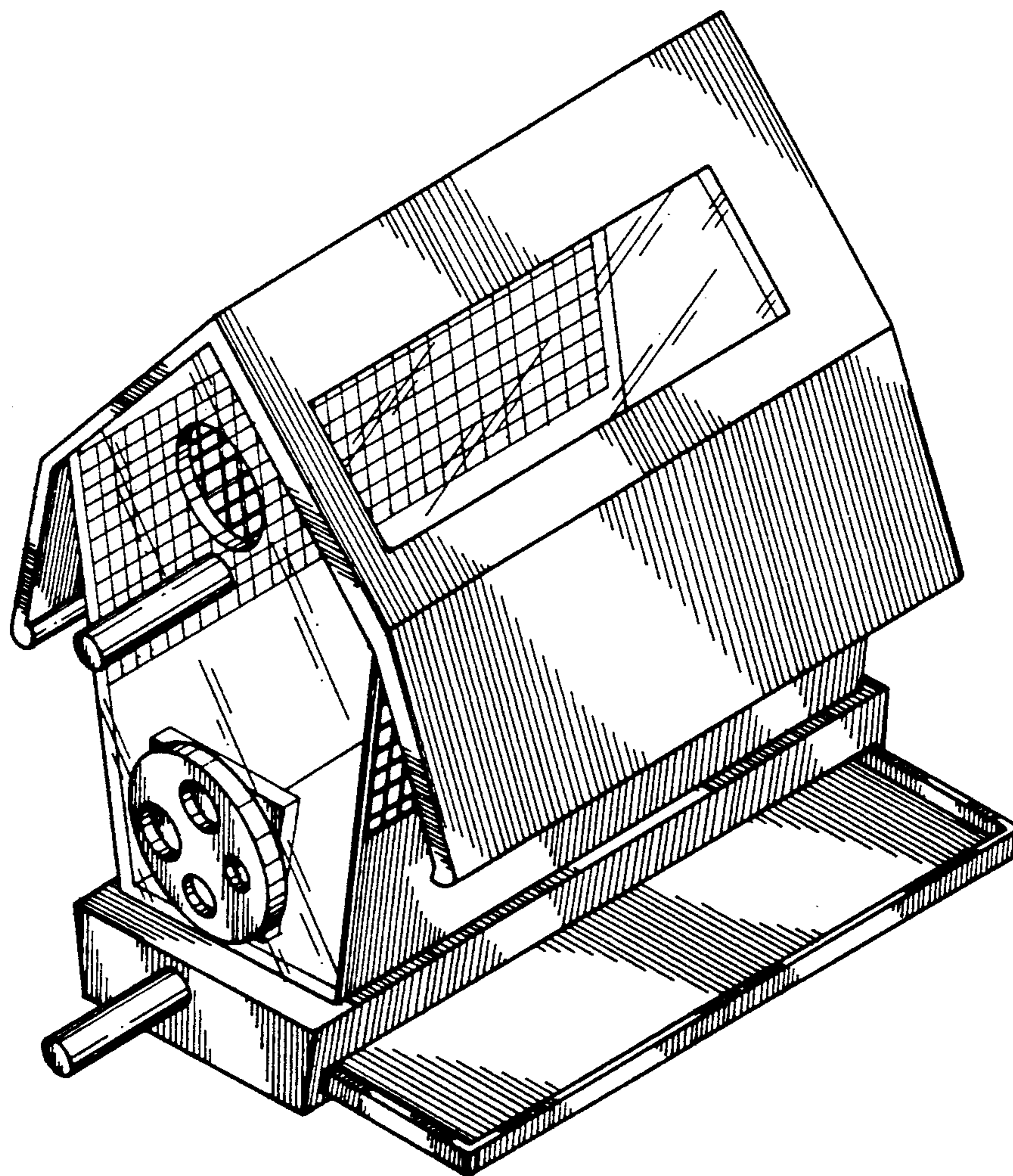
### [56] References Cited

#### U.S. PATENT DOCUMENTS

D. 163,666	6/1951	Warden	.....	D30/110
D. 248,880	8/1978	Podjan	.....	D30/110
D. 269,468	6/1983	Babcock	.....	D30/110
D. 281,917	12/1985	Myers et al.	.....	D30/110
D. 309,513	7/1990	Lockyer	.....	D30/110
1,313,691	8/1919	Hixson	.....	D30/110
3,250,249	5/1966	Nelson et al.	.....	119/23
3,316,883	5/1967	Johnson	.....	119/57.9
4,167,917	9/1979	Noll	.....	119/23

### DESCRIPTION

FIG. 1 is a perspective view of the bird house for baby birds embodying the design of the present invention; FIG. 2 is a front elevational view thereof showing the tray in closed position; FIG. 3 is a rear elevational view thereof; FIG. 4 is a side elevational view thereof, the side opposite being a mirror image of the side shown in FIG. 4; FIG. 5 is a top plan view thereof; and, FIG. 6 is a bottom view thereof.



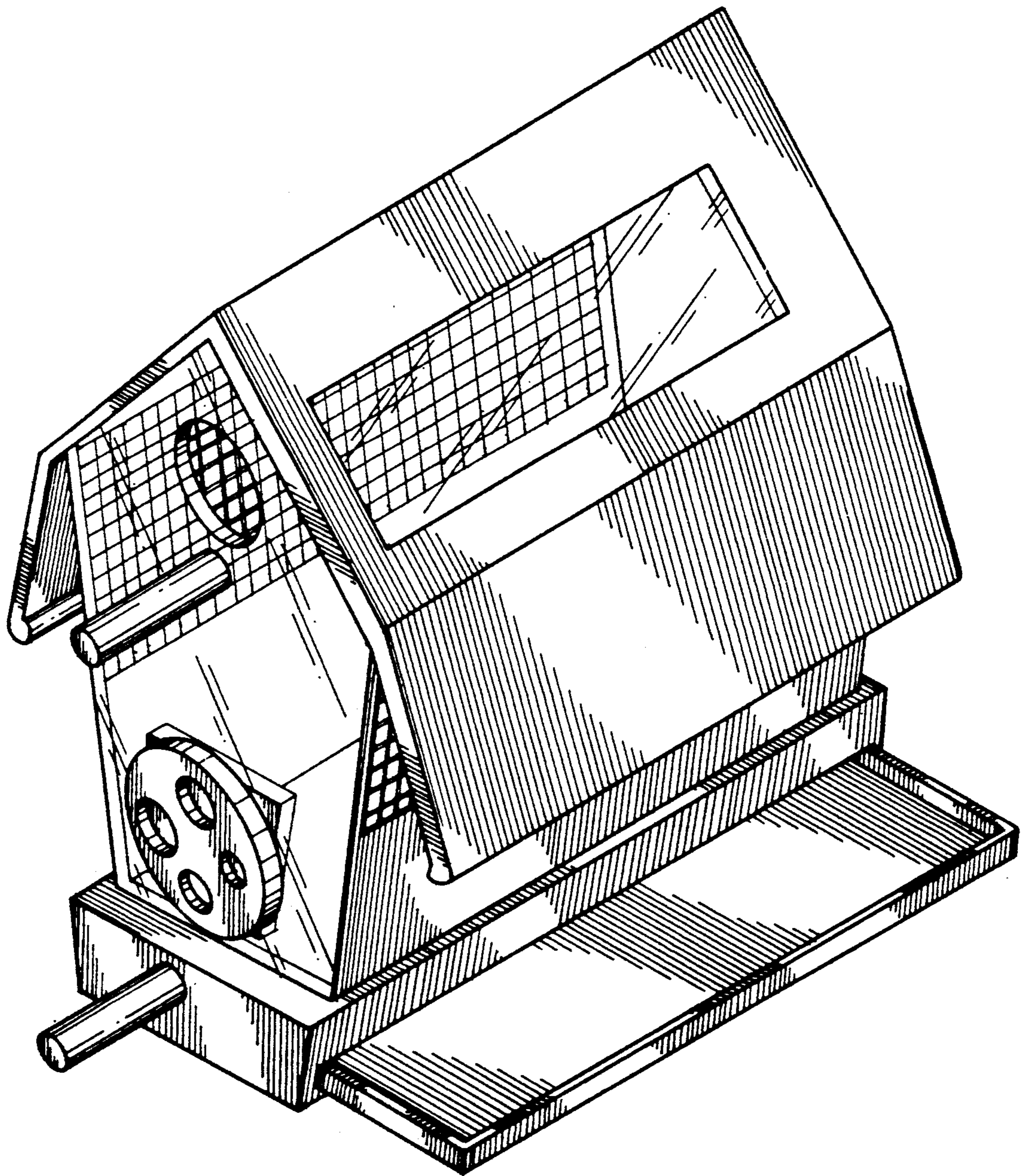


FIG. 1.

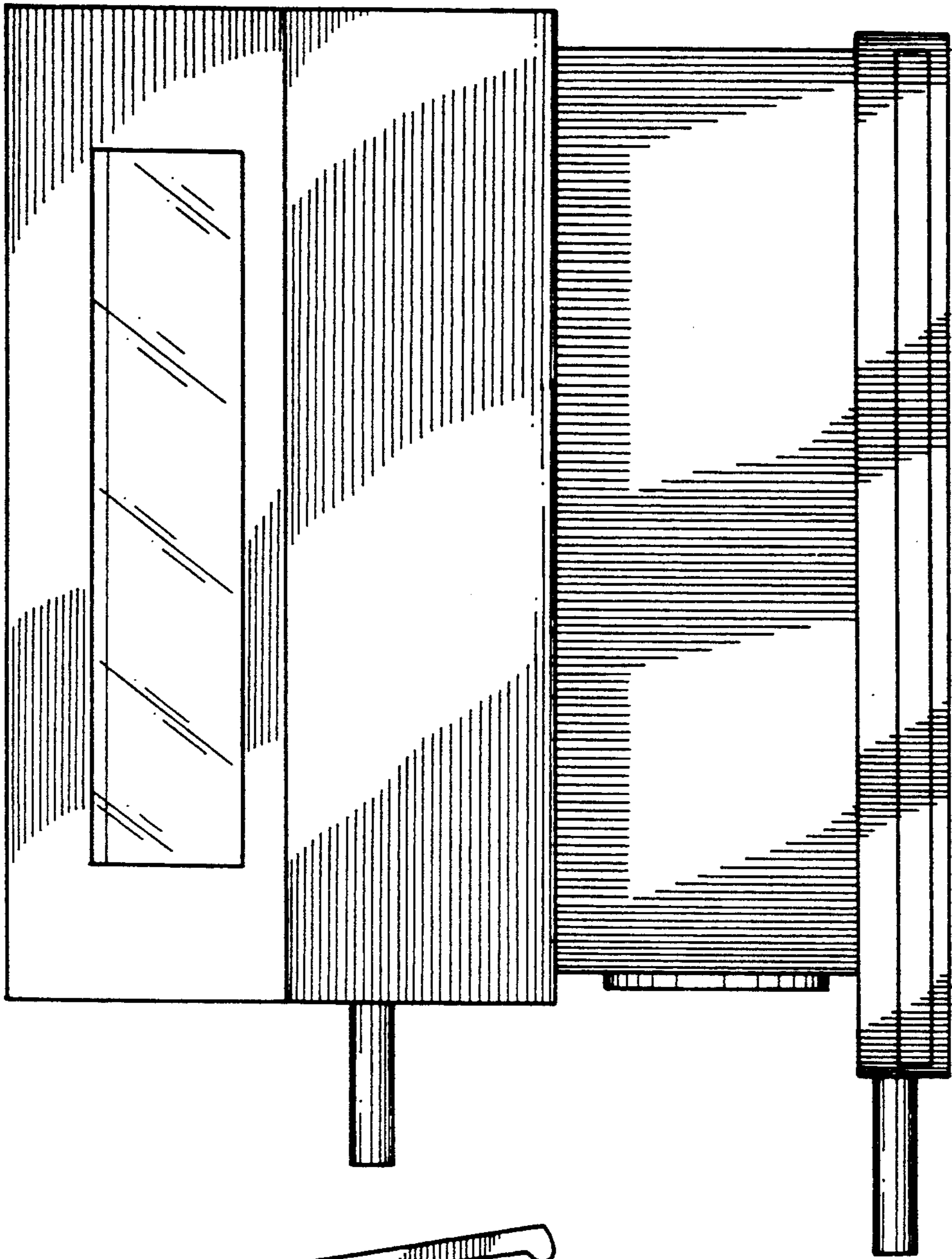


FIG. 4.

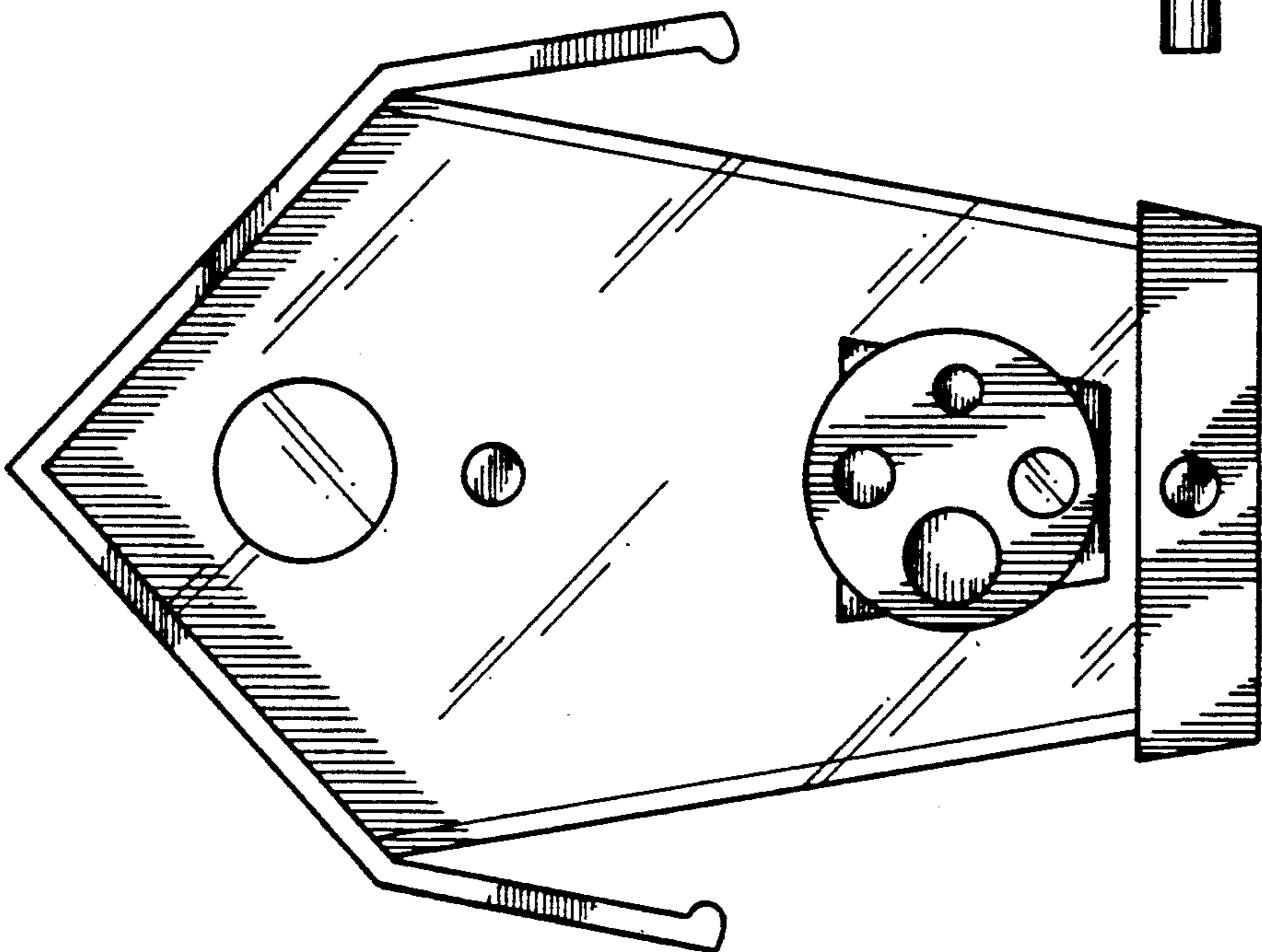


FIG. 2.

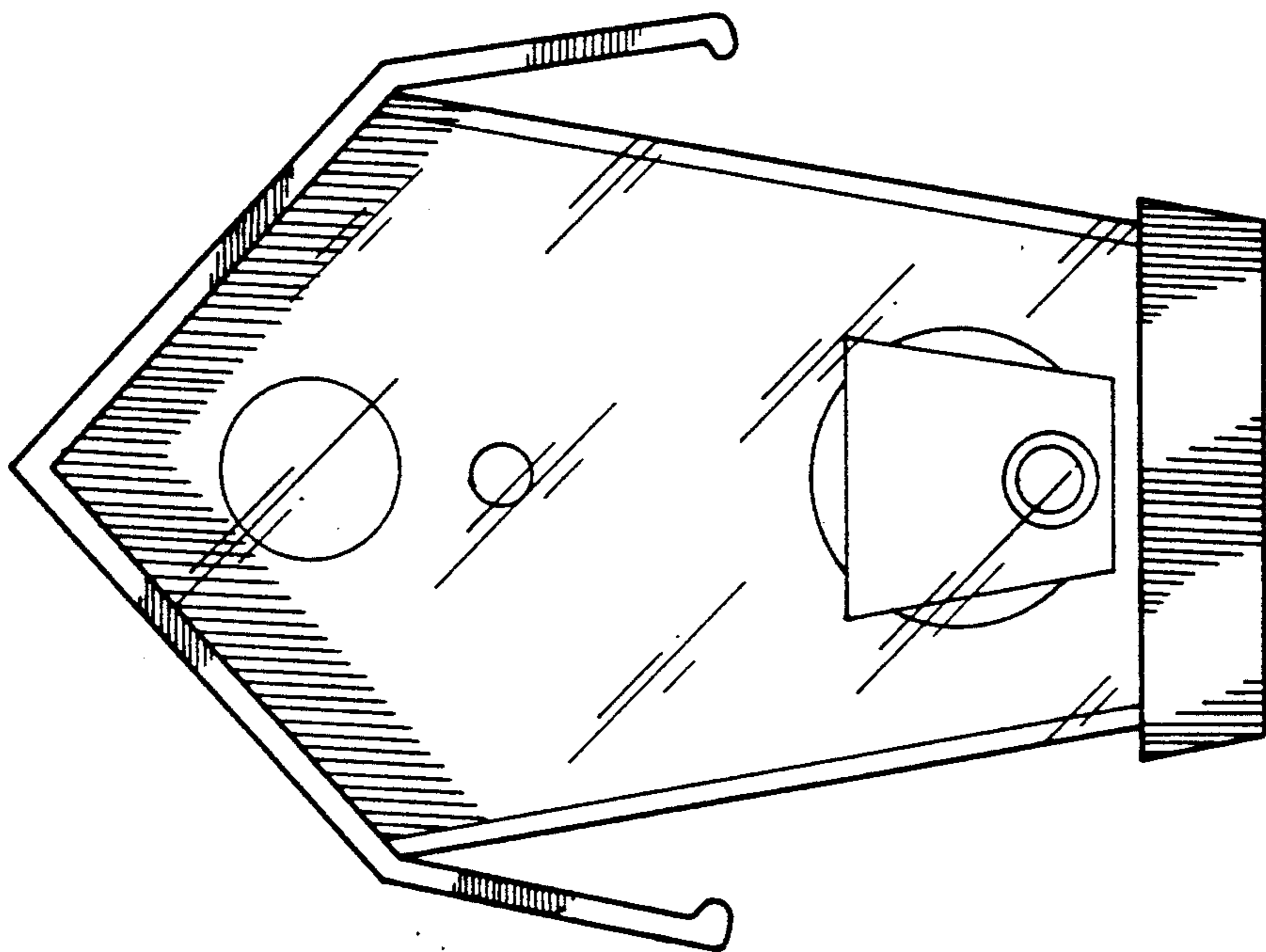
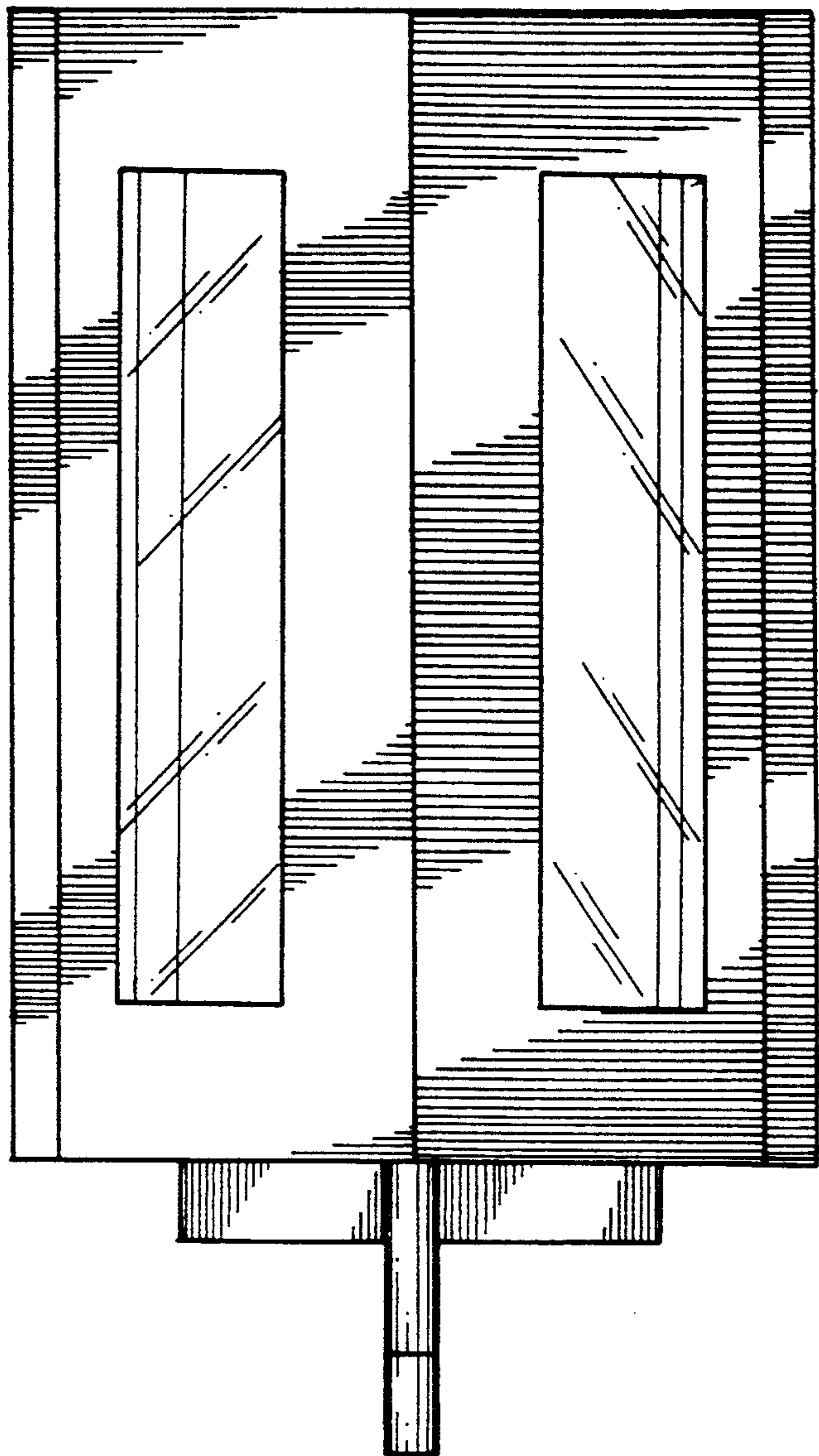


FIG. 3.

FIG. 5.



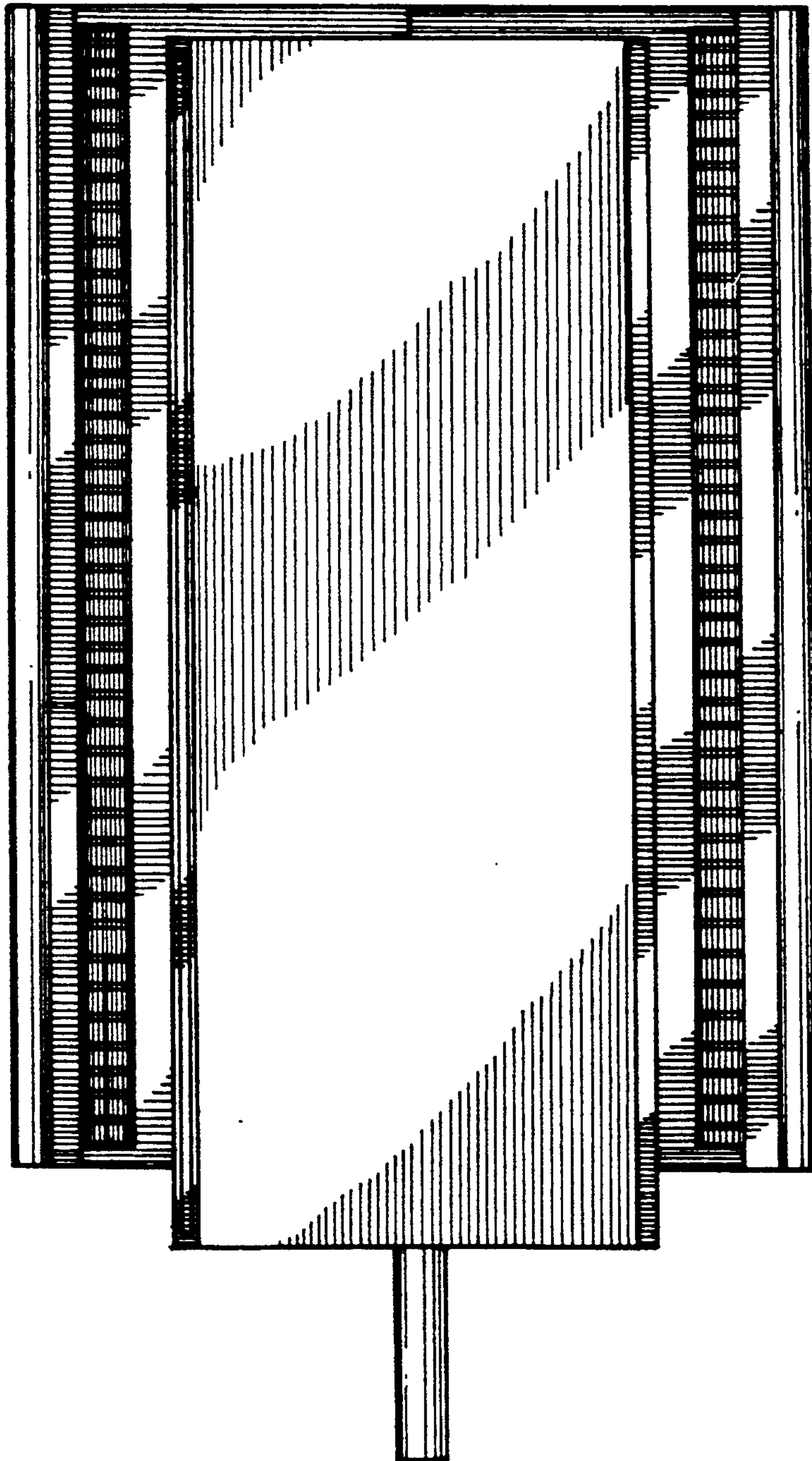


FIG. 6.