



US00D342342S

United States Patent [19] Maglione

[11] Patent Number: **Des. 342,342**
[45] Date of Patent: **** Dec. 14, 1993**

[54] LOTION APPLICATOR
[76] Inventor: **Christina Maglione**, 82 Medford Blvd., Freehold, N.J. 07728
[**] Term: **14 Years**
[21] Appl. No.: **543,569**
[22] Filed: **Jun. 26, 1990**
[52] U.S. Cl. **D28/7**
[58] Field of Search **D28/7, 9, 63, 99; D4/114; D32/40-52; 132/320; 401/6; 15/144 B, 244.1, 244.2**

3,818,911 6/1974 Fournier 128/869
3,876,314 4/1975 Nehring 401/133
4,059,864 11/1977 Spresny 15/244.2 X
4,299,005 11/1981 Brown 401/196 X
4,483,356 11/1984 Kales 401/6 X

Primary Examiner—B. J. Bullock
Assistant Examiner—C. Tuttle
Attorney, Agent, or Firm—Terry M. Gernstein

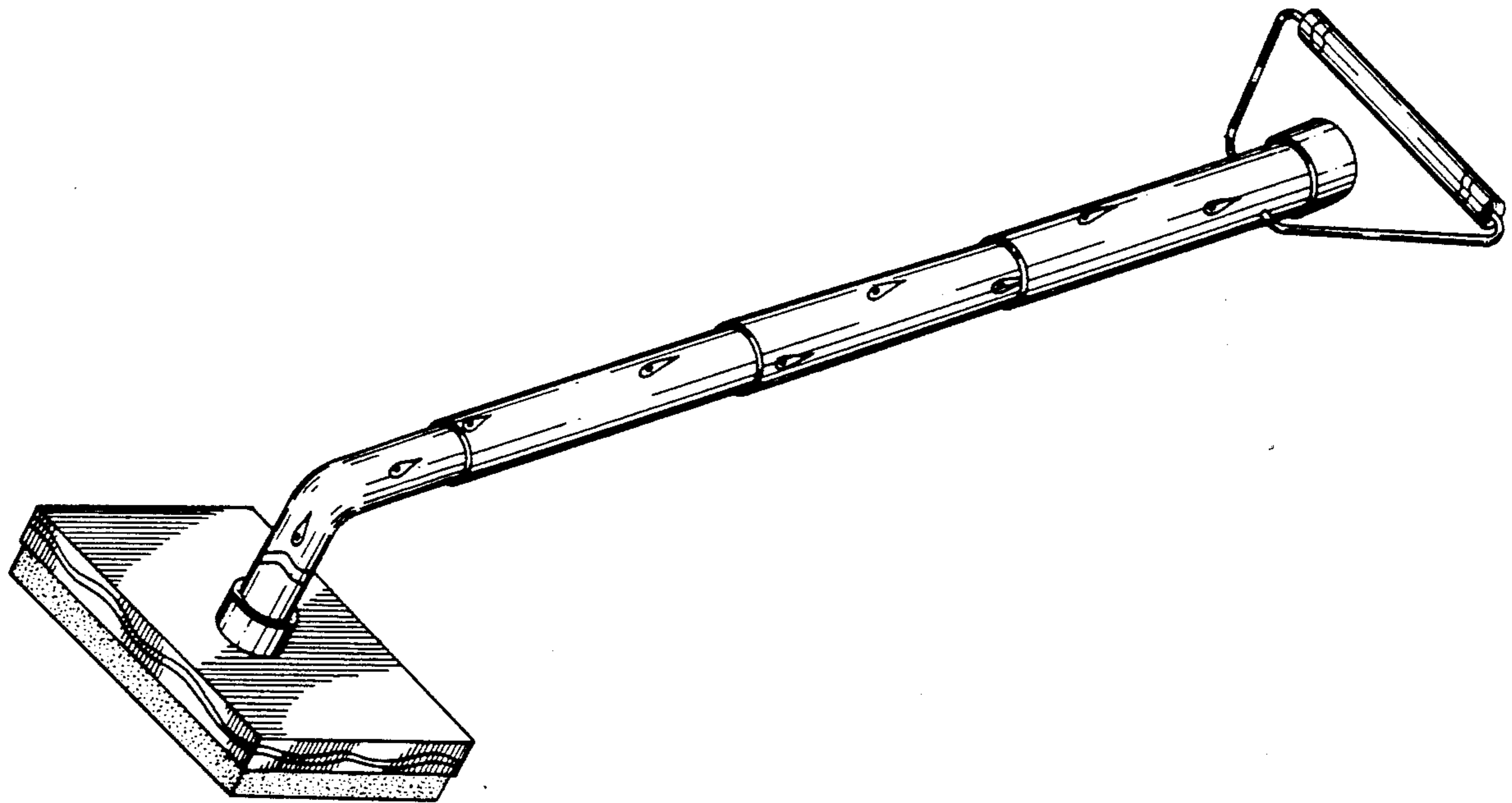
[57] CLAIM

The ornamental design for a lotion applicator, as shown and described.

DESCRIPTION

FIG. 1 is a perspective view of the lotion applicator embodying the design;
FIG. 2 is a side elevational view thereof, the side opposite being a mirror image of the side shown in FIG. 2 except for the appearance of the surface ornamentation;
FIG. 3 is an end elevational view thereof;
FIG. 4 is a top plan view thereof; and,
FIG. 5 is a bottom view thereof.

[56] **References Cited**
U.S. PATENT DOCUMENTS
869,250 10/1907 Martin 128/62 R
2,538,542 1/1951 Tucker D32/45 X
2,800,673 7/1957 Lazisky 15/118
2,955,311 10/1960 Jurkanis 15/244.1 X
3,103,682 9/1963 Markle 401/6 X
3,704,480 12/1972 Whitaker 15/244.2 X



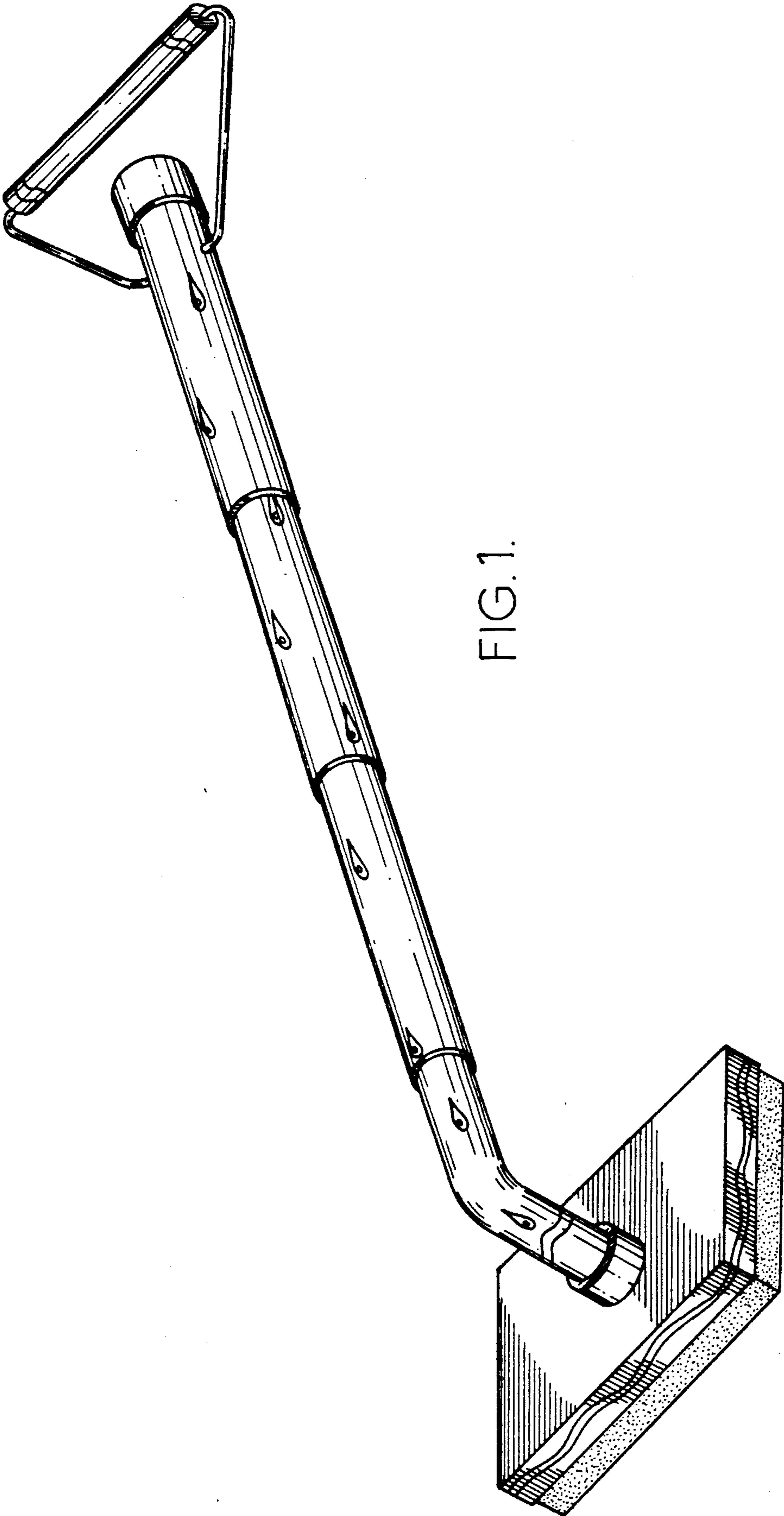


FIG. 1.

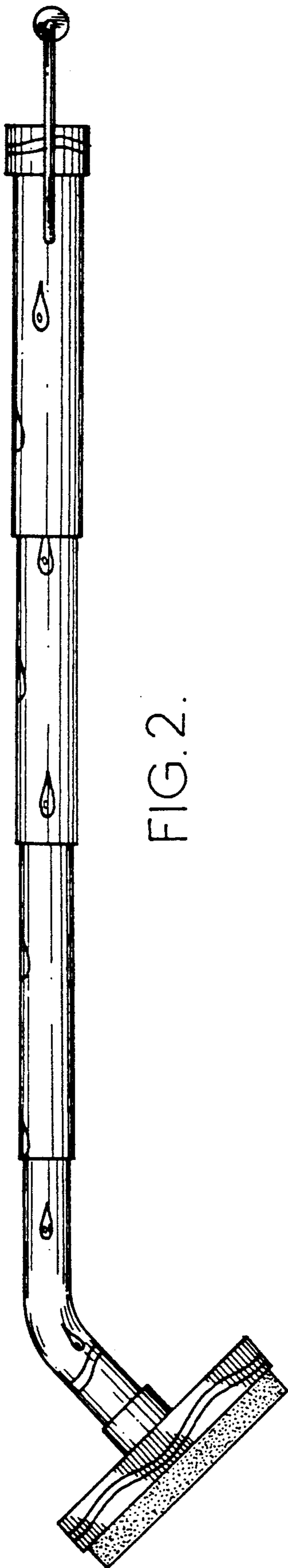


FIG. 2.

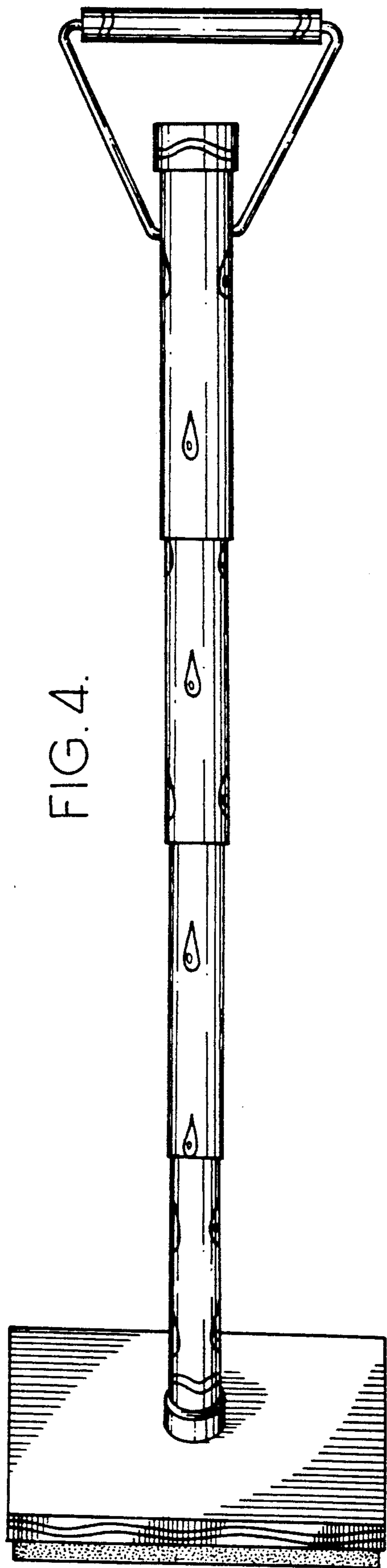


FIG. 4.

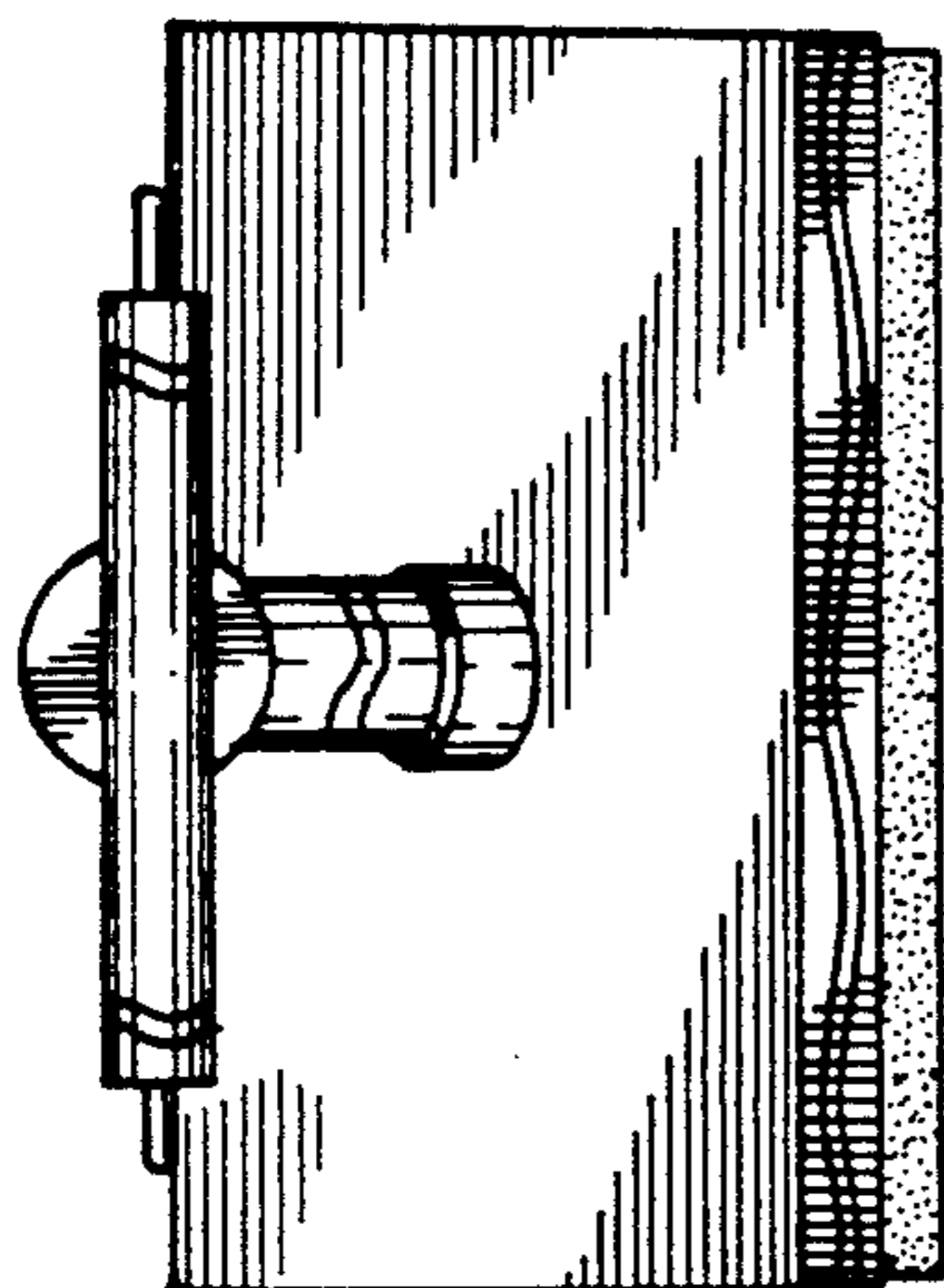


FIG. 3.

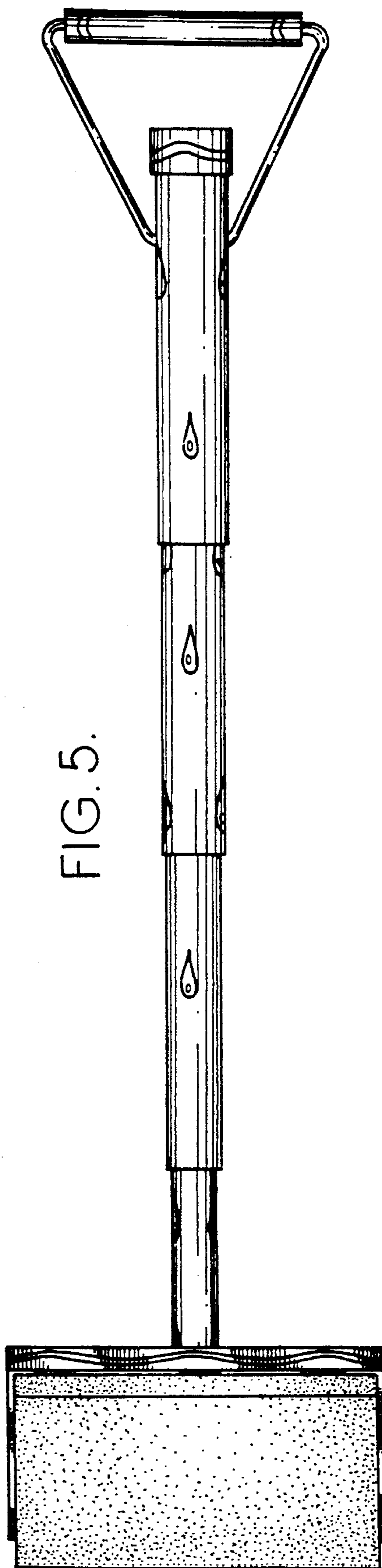


FIG. 5.