



US00D342341S

United States Patent [19]

[11] Patent Number: **Des. 342,341**

Gentile et al.

[45] Date of Patent: **** Dec. 14, 1993**

[54] **ROLL-ON COSMETIC APPLICATOR**

3,095,598 7/1963 Gonnella et al. 401/220
4,752,148 6/1988 Mann 401/195 X

[75] Inventors: **James L. Gentile, Orange; Peter Bertolini, Shelton, both of Conn.**

OTHER PUBLICATIONS

[73] Assignee: **Chesebrough-Pond's USA Co., Division of Conopco, Inc., Greenwich, Conn.**

Advertisement for Paloma Picasso Parfum—No Date provided.

Advertisement for Luna Mystique Parfume—No Date Provided.

[**] Term: **14 Years**

Advertisement for Navy Fragrance—No Date Provided.

[21] Appl. No.: **792,043**

Primary Examiner—Theodore M. Shooman

Assistant Examiner—Mitchell Siegel

Attorney, Agent, or Firm—Milton L. Honig

[22] Filed: **Nov. 7, 1991**

[52] U.S. Cl. **D28/7; D9/338**

[57] **CLAIM**

[58] Field of Search **D9/337, 338, 572-575; 628/7, 76, 10, 77, 5; 401/6, 9, 147, 195, 208, 218-220; 132/320**

The ornamental design for a roll-on cosmetic applicator, as shown and described.

DESCRIPTION

[56] **References Cited**

U.S. PATENT DOCUMENTS

D. 269,641	7/1983	Mann	D28/10
D. 271,244	11/1983	Martinez	D28/5 X
D. 290,527	6/1987	Thorogood	D28/10
2,480,606	8/1949	Rabbitt	D28/5 X
3,039,132	6/1962	Hambley	401/220

FIG. 1 is a front perspective view of a roll-on cosmetic applicator showing our new design;

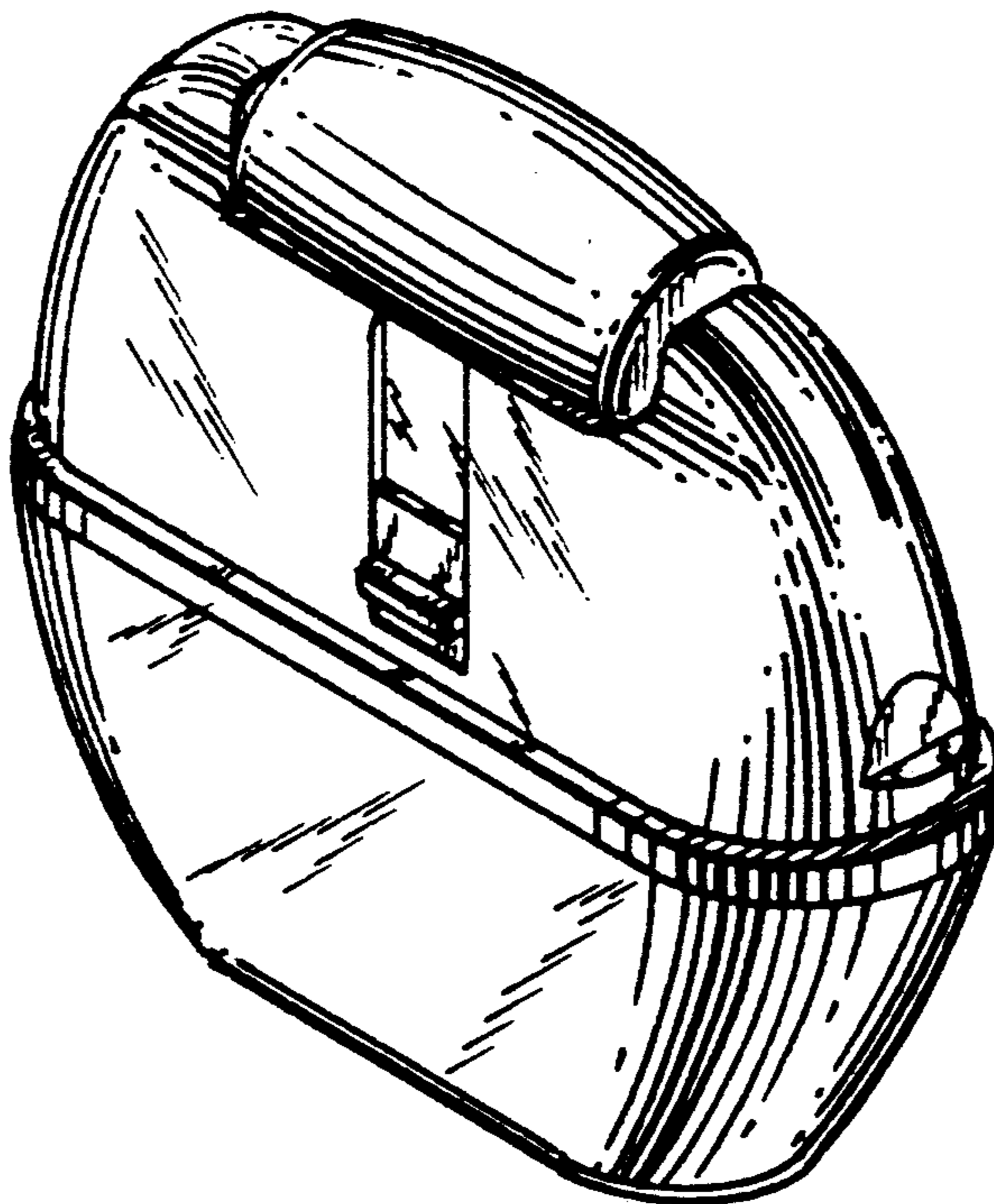
FIG. 2 is a front elevational view thereof;

FIG. 3 is a top plan view thereof;

FIG. 4 is a rear elevational view thereof;

FIG. 5 is a side elevational view thereof; and,

FIG. 6 is a bottom plan view thereof.



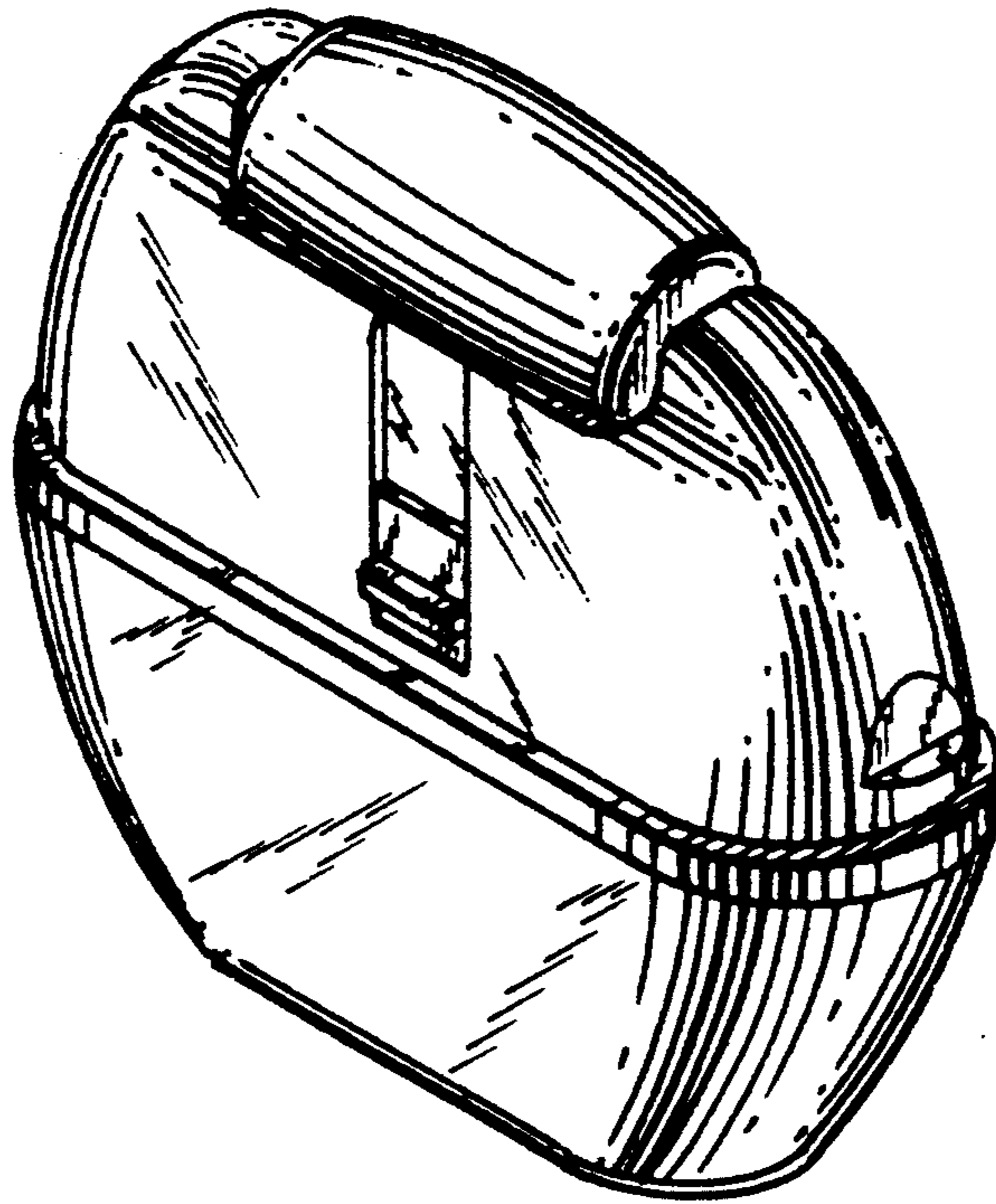


FIG. 1

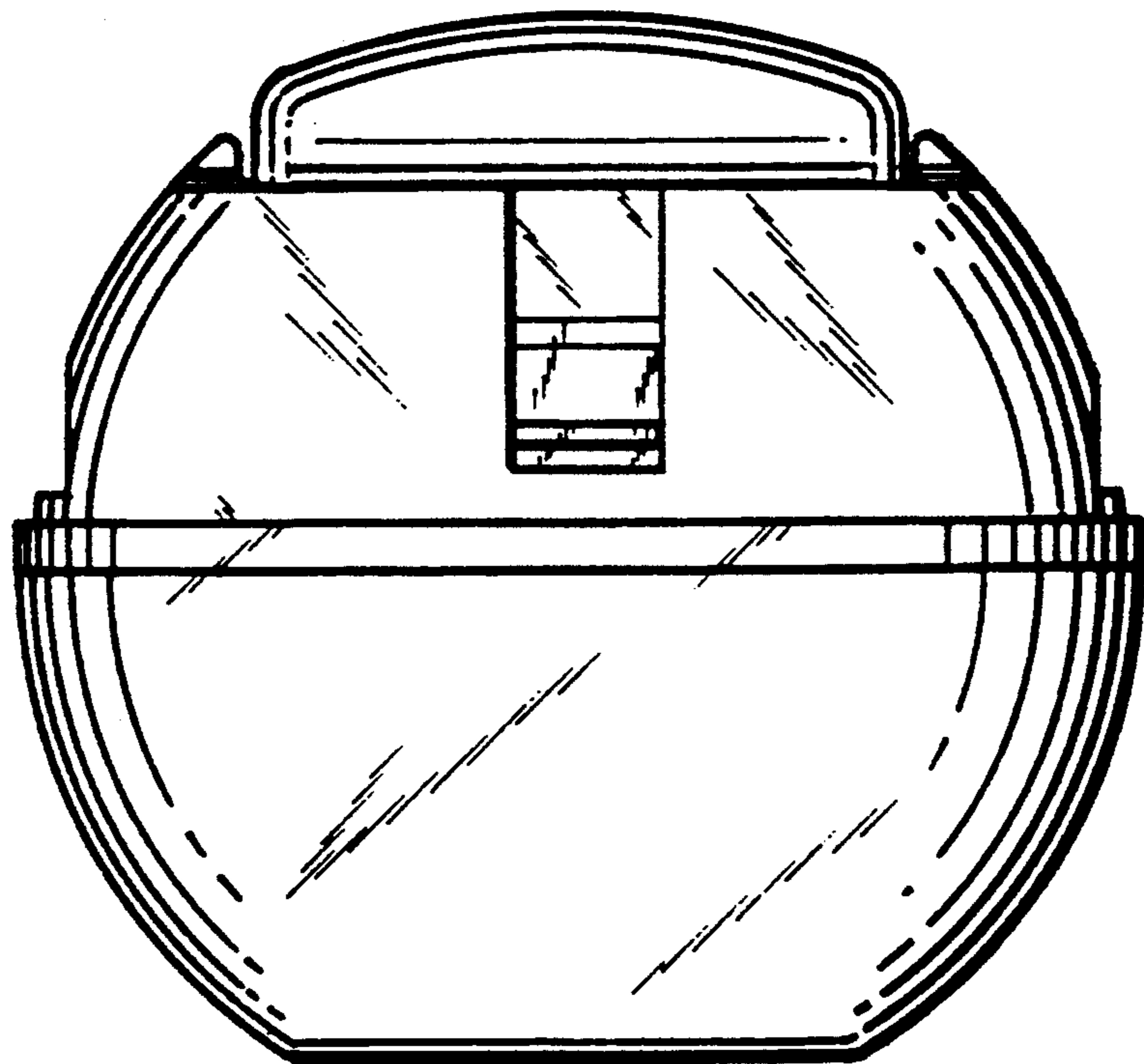


FIG. 2

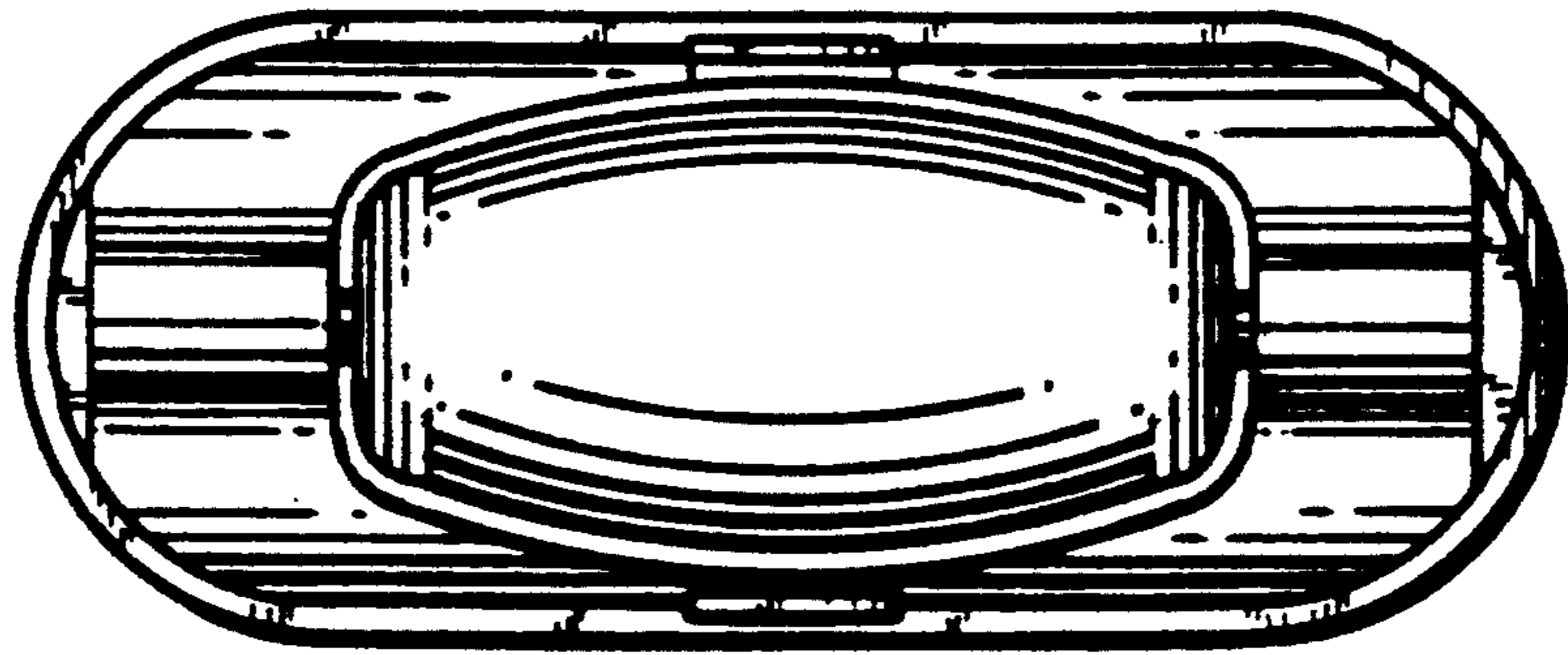


FIG.3

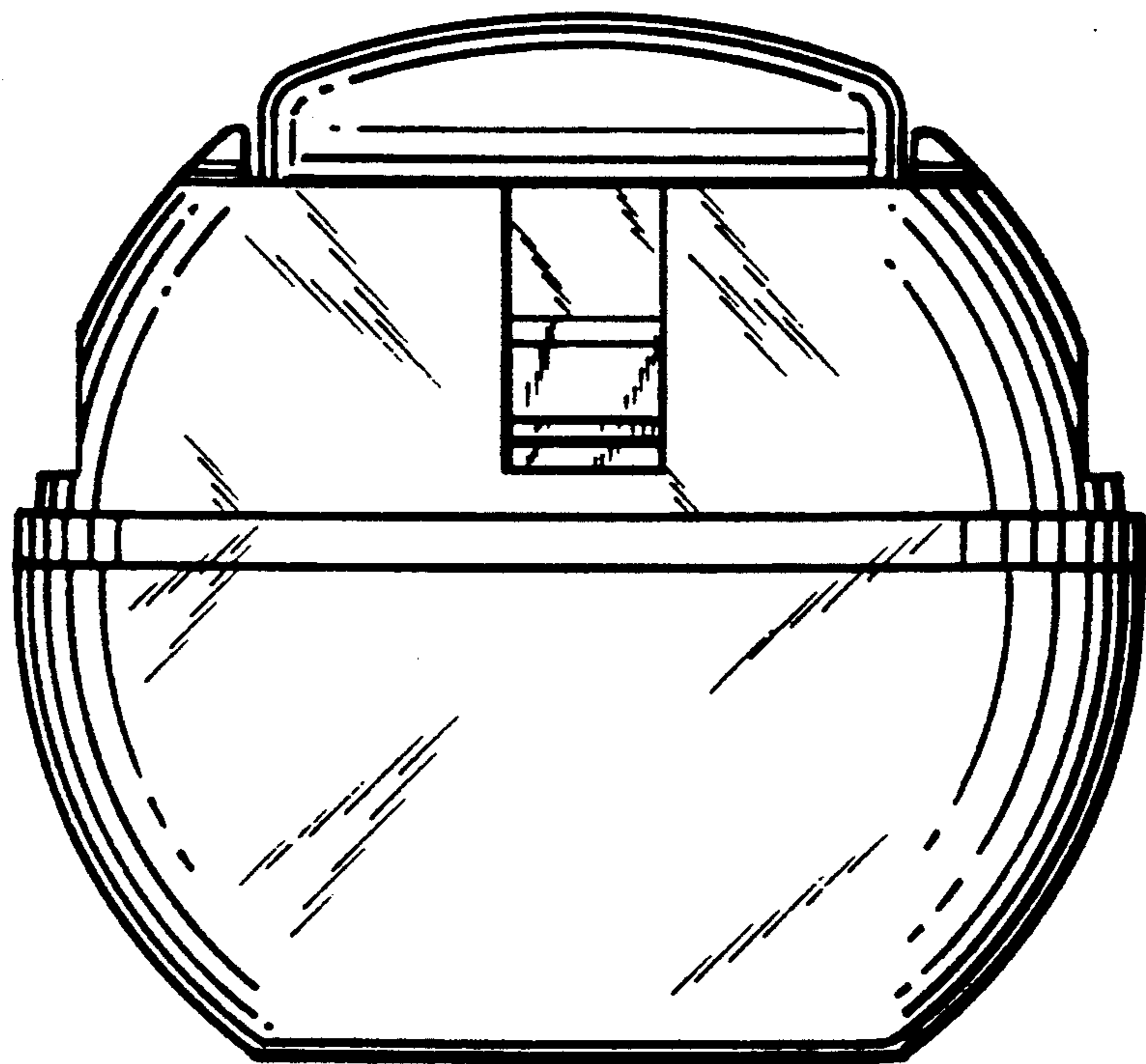


FIG.4

FIG.5

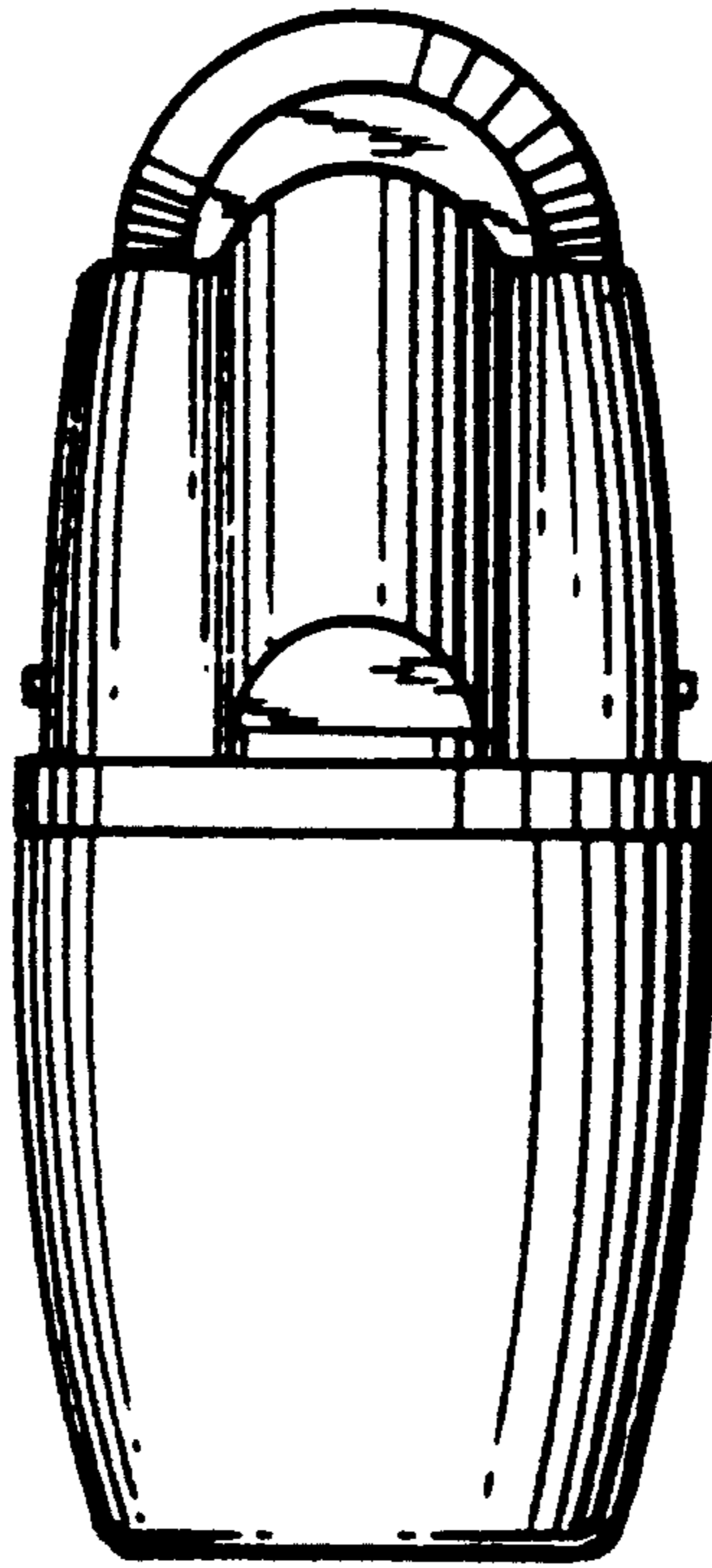


FIG.6

