



US00D342338S

# United States Patent [19]

[11] Patent Number: **Des. 342,338**

Thun

[45] Date of Patent: **\*\* Dec. 14, 1993**

[54] **PENDANT LAMP**

[75] Inventor: **Matteo Thun, Milan, Italy**

[73] Assignee: **Flos S.p.A., Brescia, Italy**

[\*\*] Term: **14 Years**

[21] Appl. No.: **797,088**

[22] Filed: **Nov. 22, 1991**

[30] **Foreign Application Priority Data**

May 24, 1991 [IT] Italy ..... BS/91/0/000022

[52] U.S. Cl. .... **D26/88; D26/63**

[58] Field of Search ..... **D26/72, 80-92, D26/63, 65; 362/147, 404-408, 418, 419, 427, 269, 275, 285**

[56] **References Cited**

**U.S. PATENT DOCUMENTS**

D. 307,060 4/1990 Fraser ..... D26/88  
1,844,651 2/1932 Halvorson ..... 362/427

*Primary Examiner*—Susan J. Lucas  
*Attorney, Agent, or Firm*—McGlew and Tuttle

[57] **CLAIM**

The ornamental design for a pendant lamp, as shown and described.

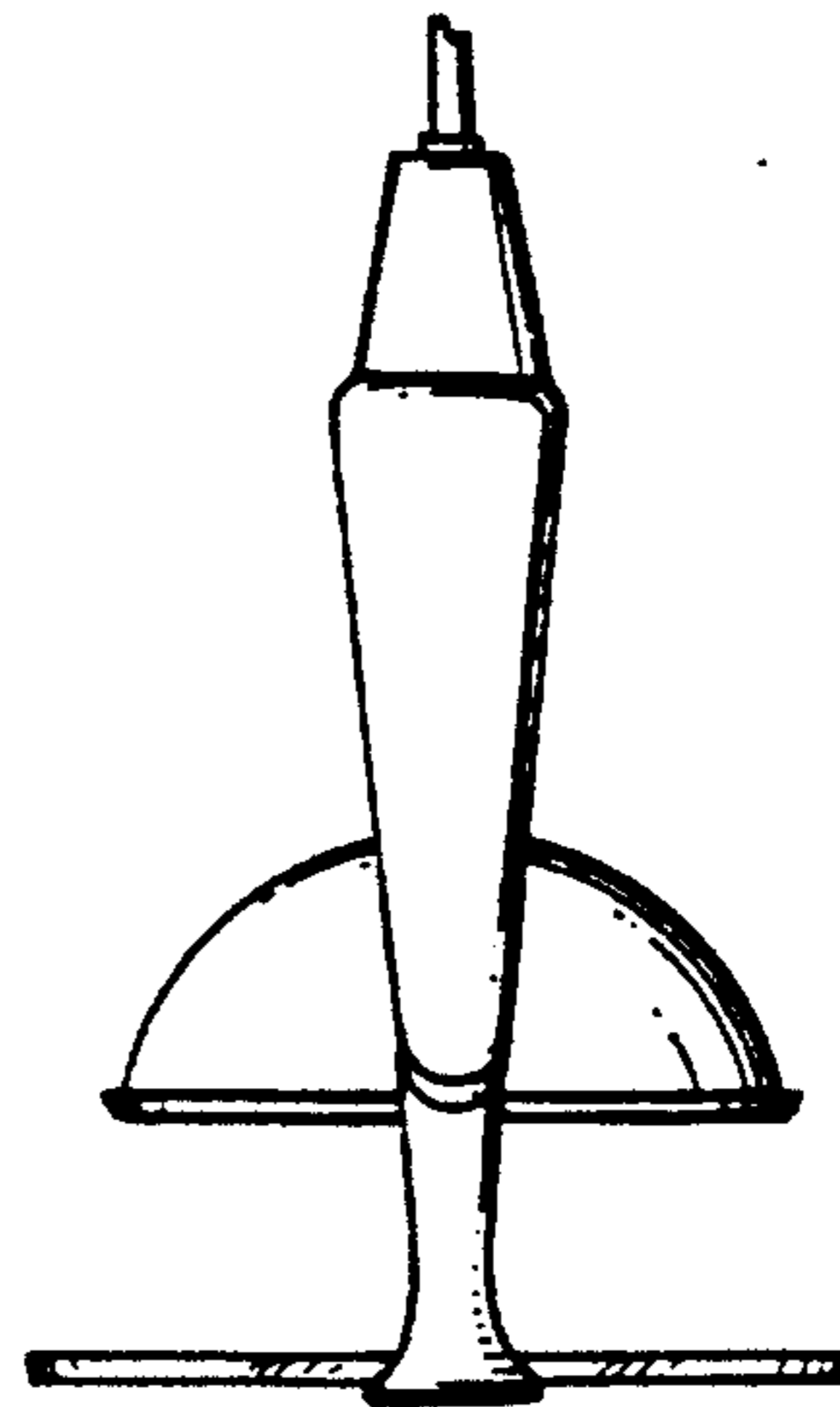
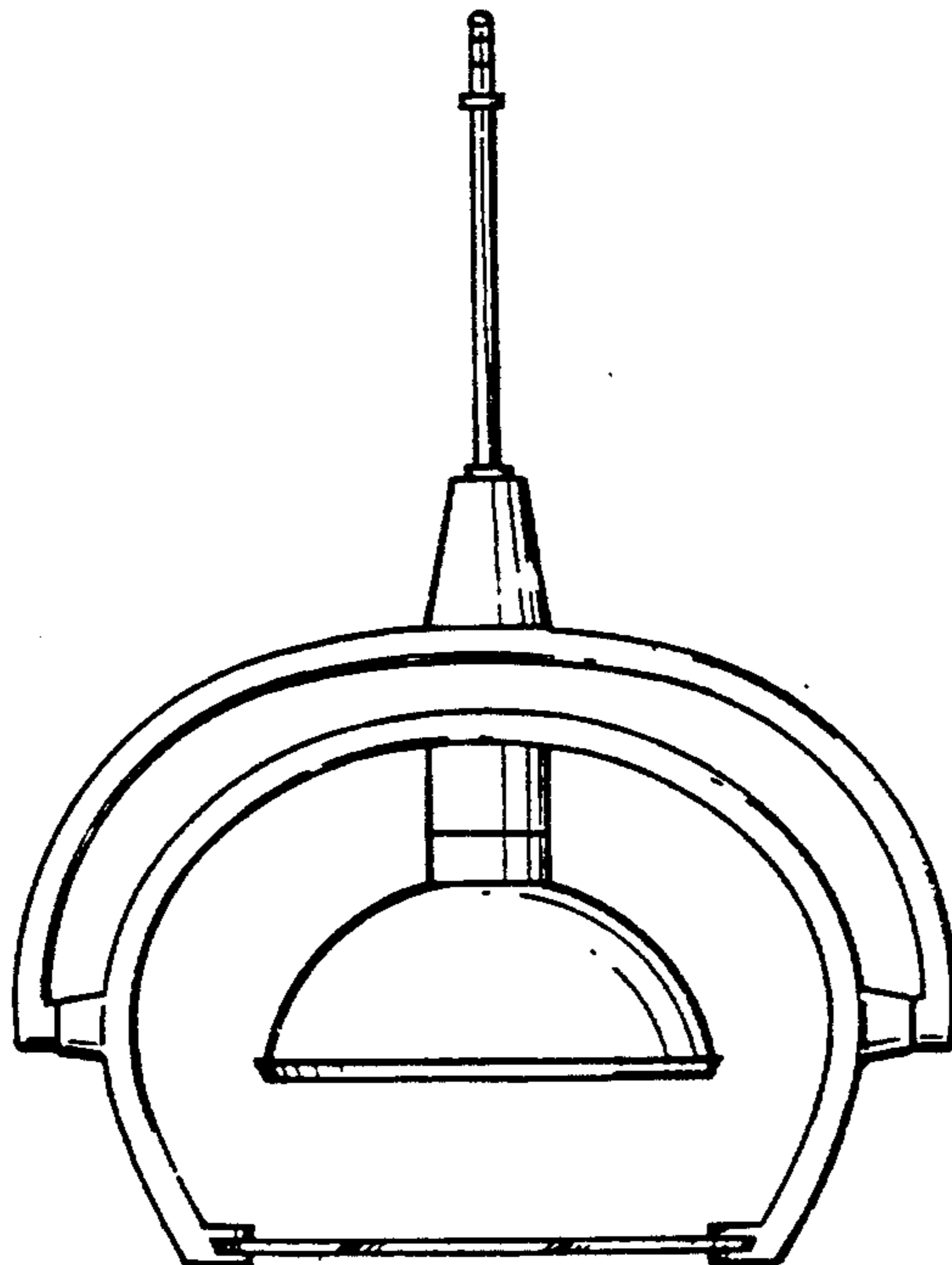
**DESCRIPTION**

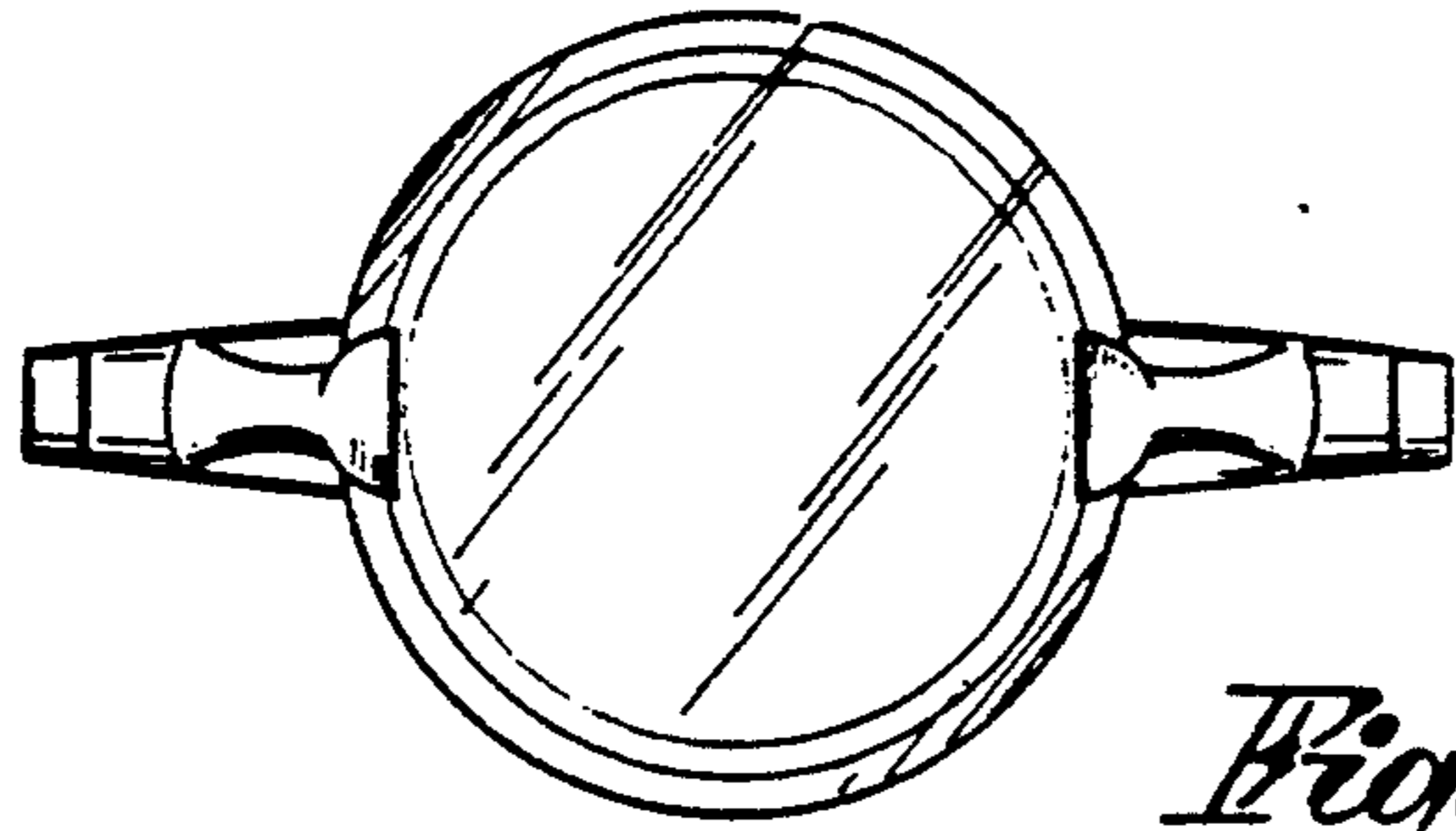
FIG. 1 is a front elevation view of a pendant lamp showing my new design, the opposite front being a mirror image;

FIG. 2 is a side elevational view thereof, the opposite side being a mirror image;

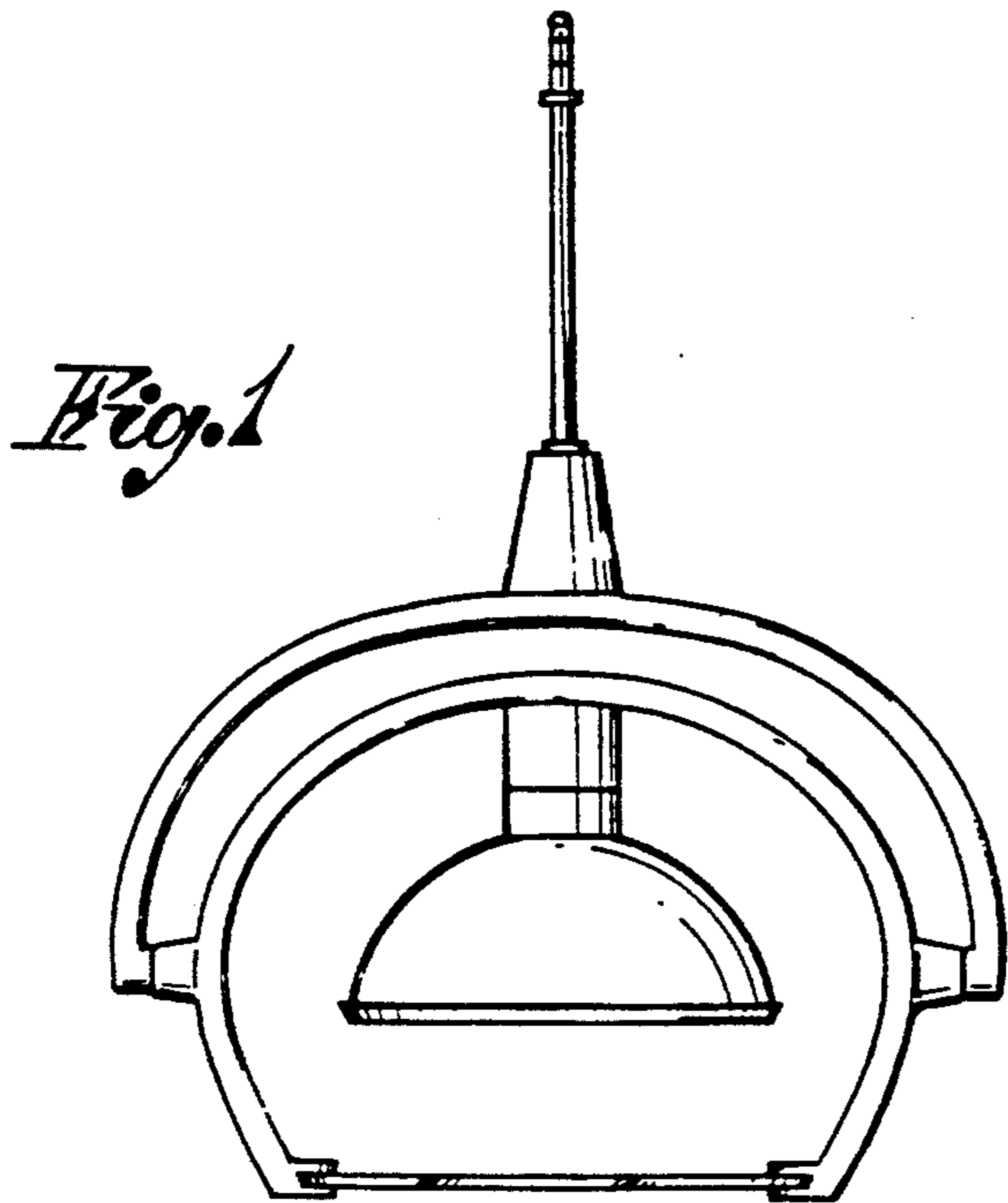
FIG. 3 is a top plan view thereof; and,

FIG. 4 is a bottom plan view thereof.

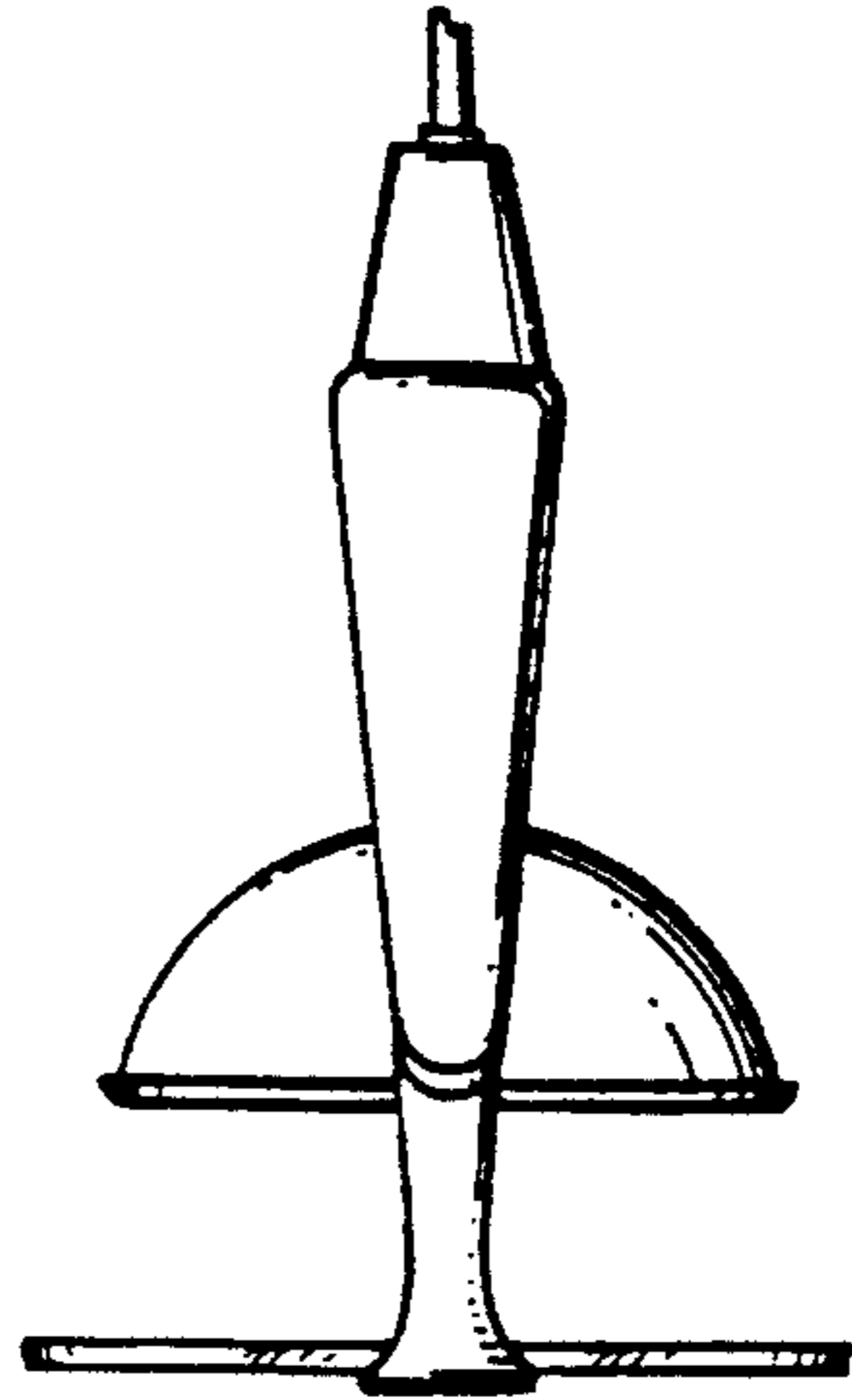




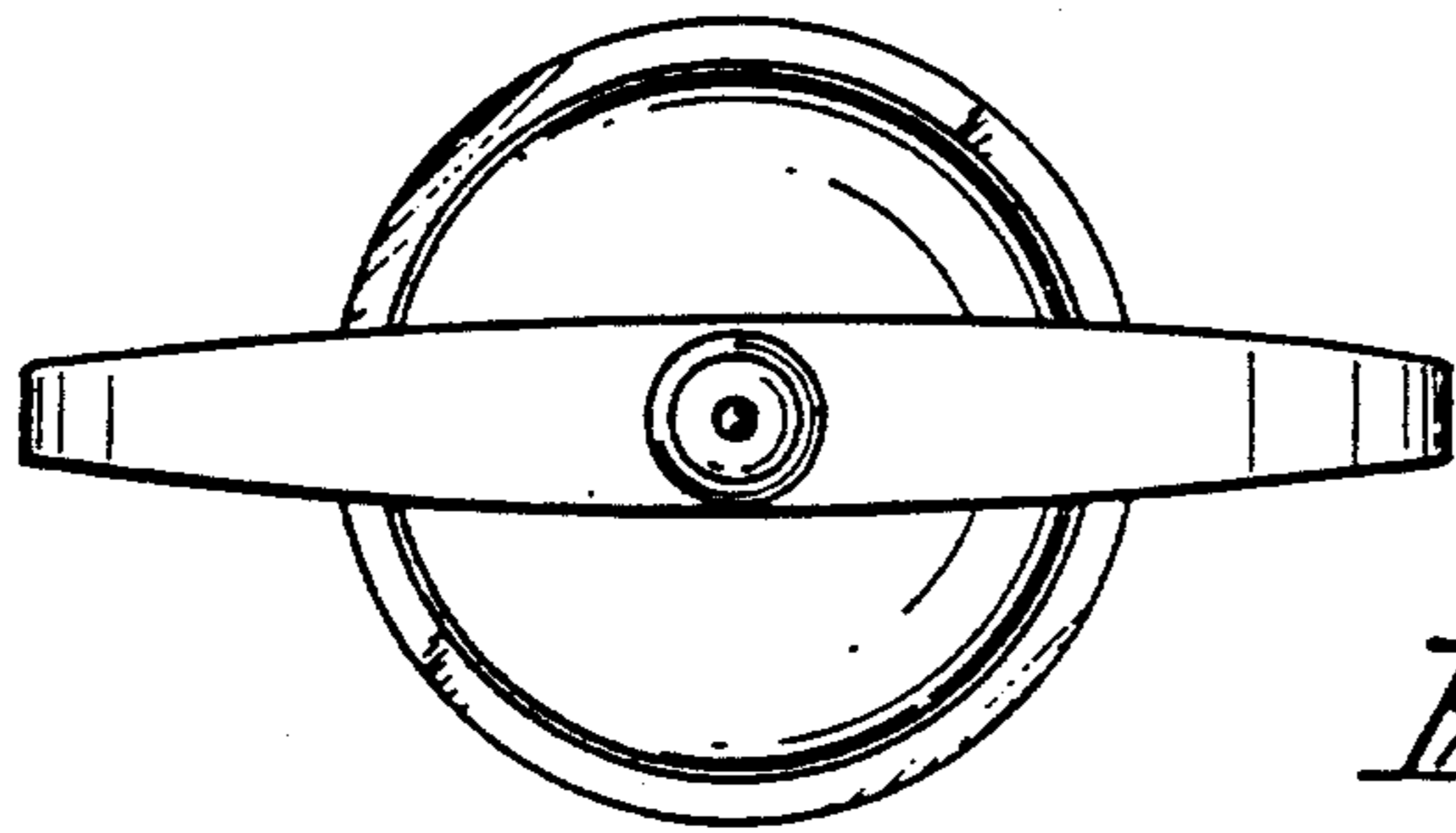
*Fig. 4*



*Fig. 1*



*Fig. 2*



*Fig. 3*