



US00D342335S

# United States Patent [19]

[11] Patent Number: Des. 342,335

Bowlby

[45] Date of Patent: \*\* Dec. 14, 1993

[54] COMBINED LAMP AND PLANTER

D. 323,794 2/1992 Wianecki ..... D26/55 X

[76] Inventor: John Bowlby, 735 N. Maple #E,  
Colville, Wash. 99114

### FOREIGN PATENT DOCUMENTS

[\*\*] Term: 14 Years

203099 11/1957 Fed. Rep. of Germany .  
778273 3/1935 France .

[21] Appl. No.: 721,662

Primary Examiner—Susan J. Lucas  
Attorney, Agent, or Firm—Terry M. Gernstein

[22] Filed: Jun. 26, 1991

[52] U.S. Cl. .... D26/55; D11/143

[58] Field of Search ..... D26/93, 102-112,  
D26/55; 362/410-414, 122, 154, 805; D11/143,  
144, 152, 155; 47/66, 69, 72

### [57] CLAIM

The ornamental design for a combined lamp and planter, as shown and described.

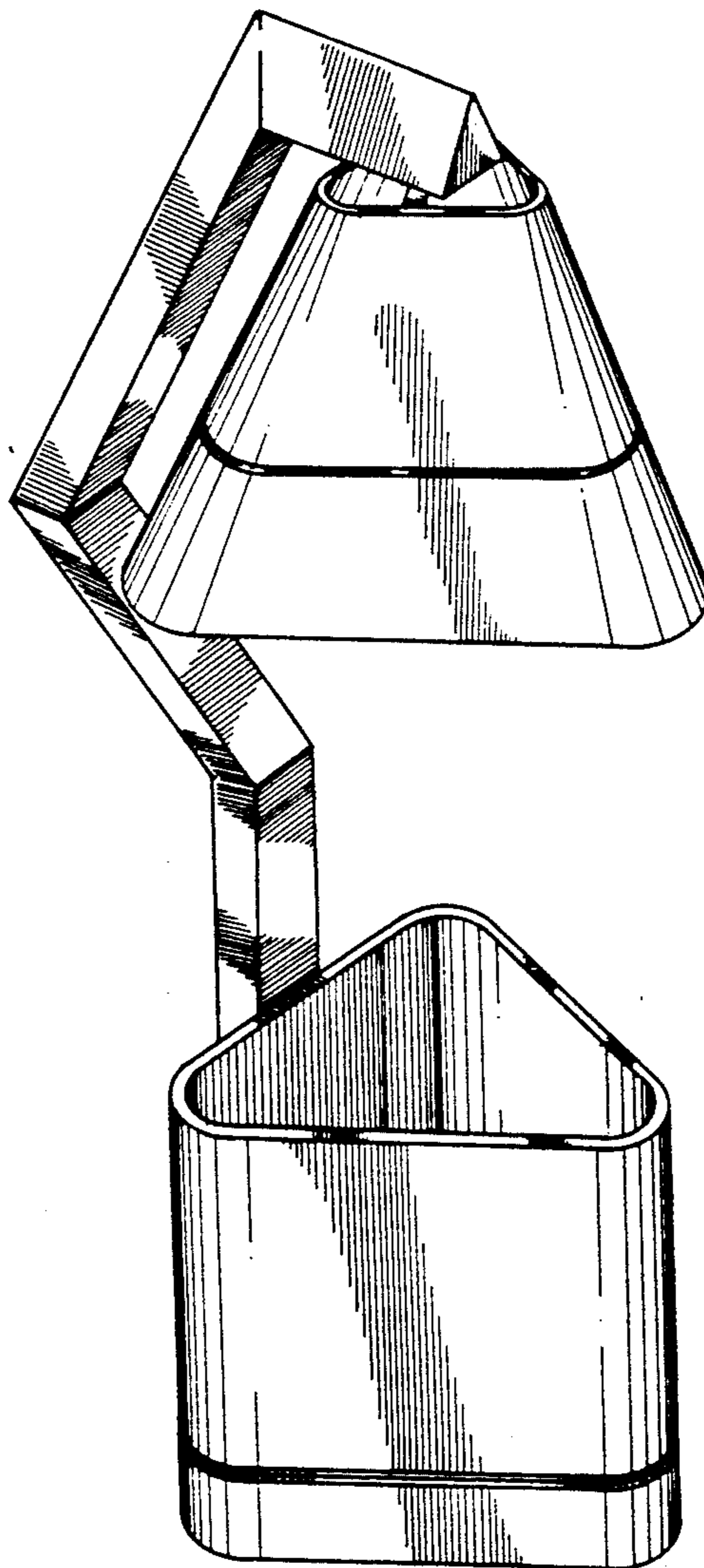
### [56] References Cited

#### U.S. PATENT DOCUMENTS

D. 179,244	11/1956	Dorman	.....	D11/144
D. 195,095	4/1963	Bardos	.....	D26/55
D. 240,262	6/1976	Hansen	.....	D11/144
D. 242,941	1/1977	Negata	.....	D11/144
D. 244,838	6/1977	LeBreux	.....	D11/144

### DESCRIPTION

FIG. 1 is a perspective view of the combined lamp and planter embodying the design of the present invention; FIG. 2 is a front elevational view thereof; FIG. 3 is a rear elevational view thereof; FIG. 4 is a side elevational view thereof, the side opposite being a mirror image of the side shown in FIG. 4; FIG. 5 is a top plan view thereof; and, FIG. 6 is a bottom view thereof.



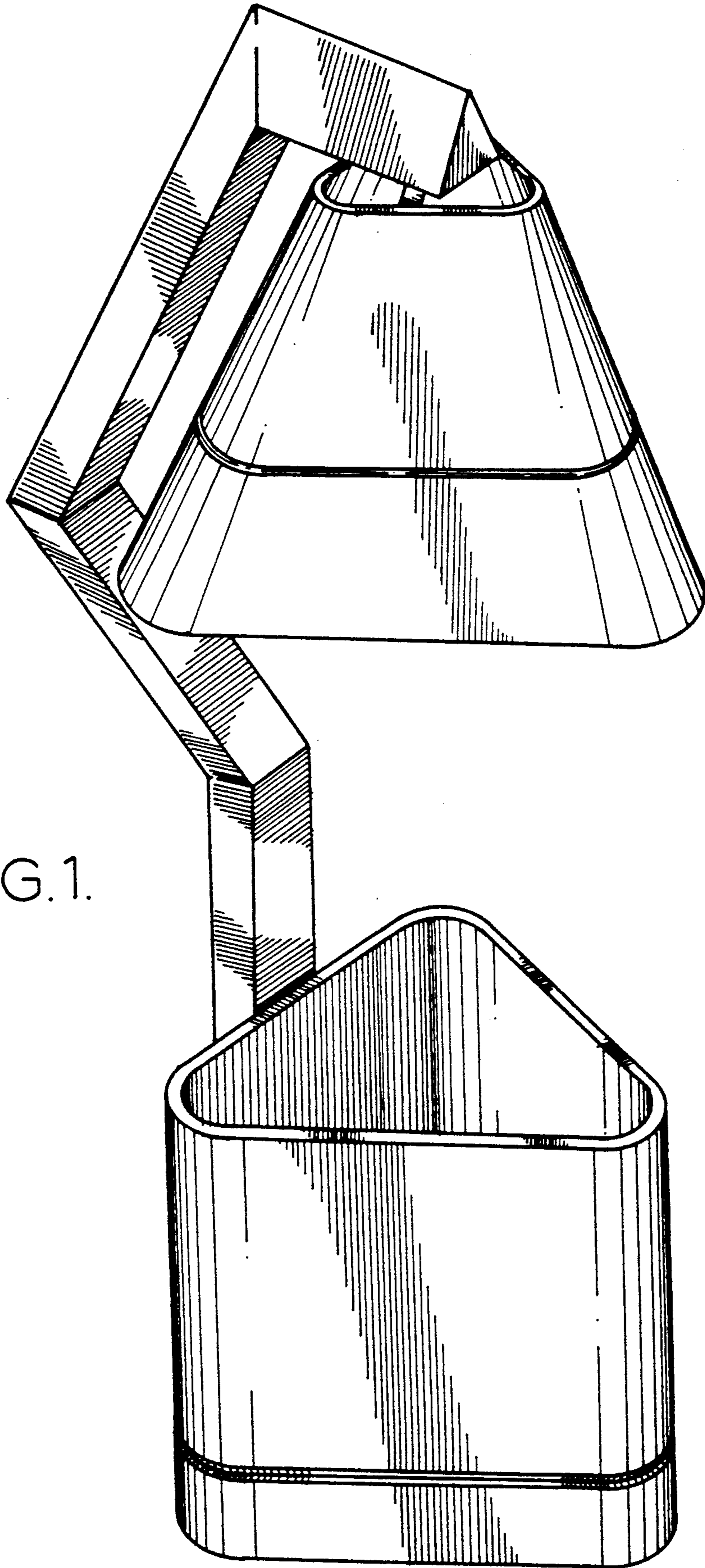
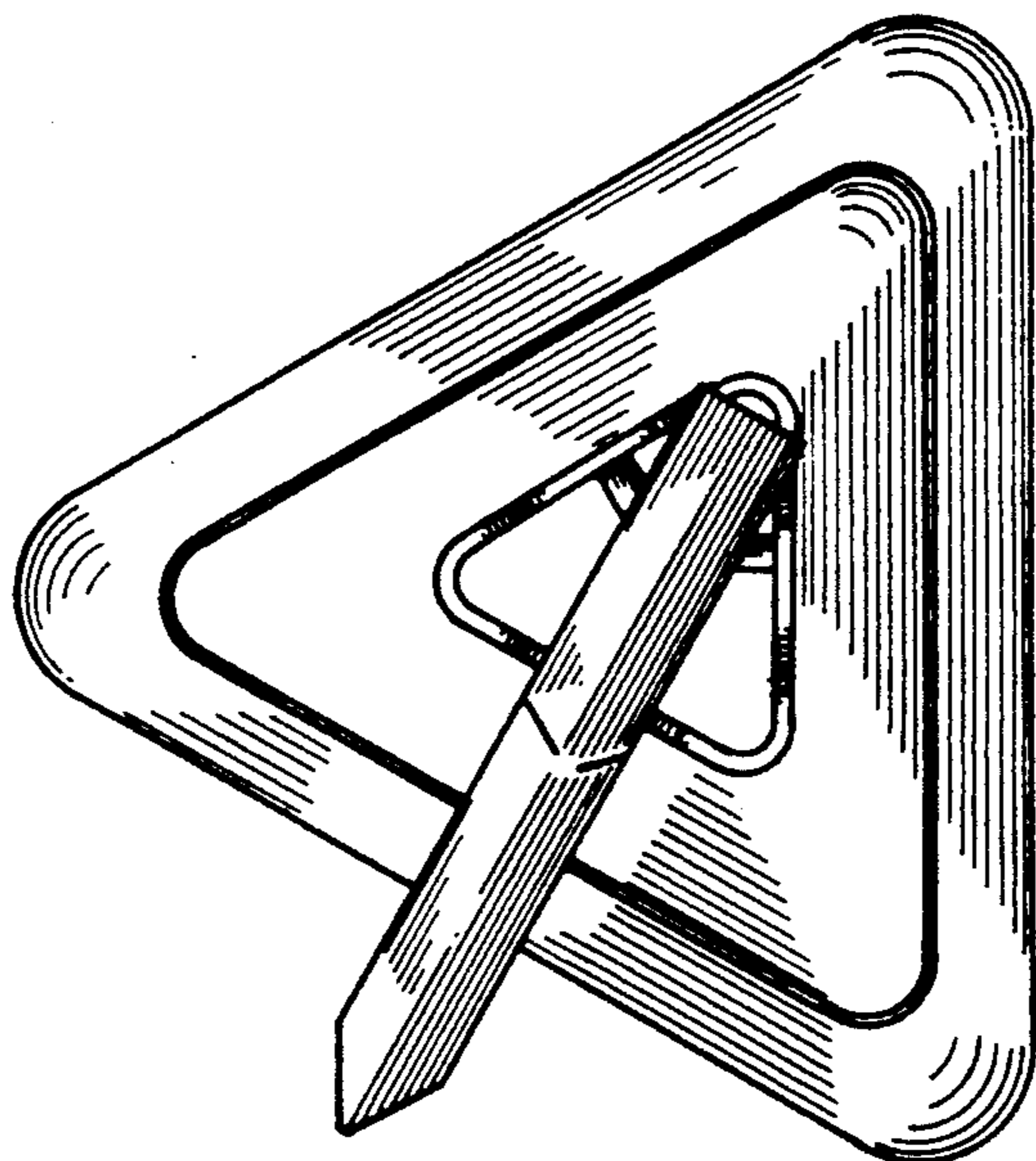
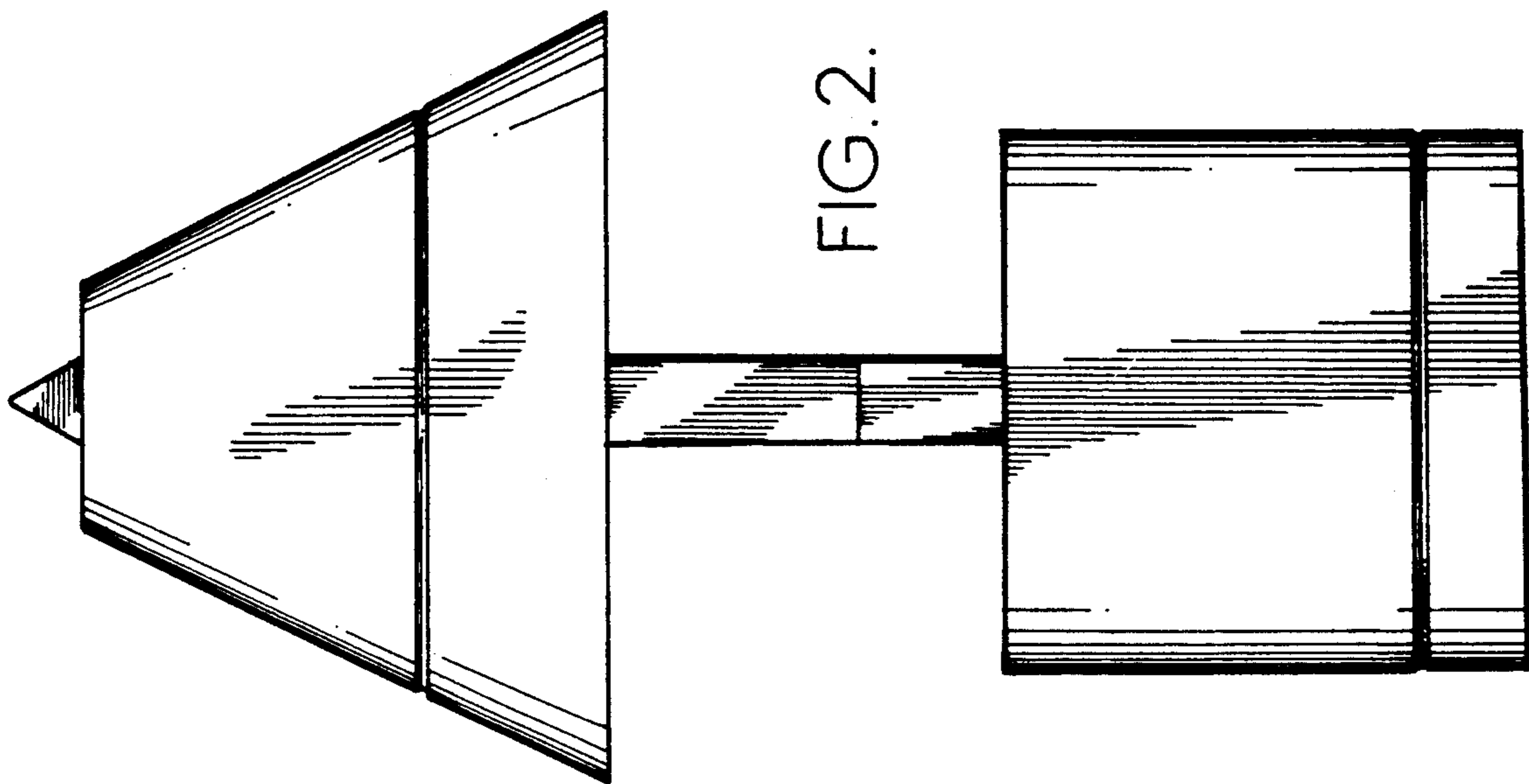


FIG. 1.



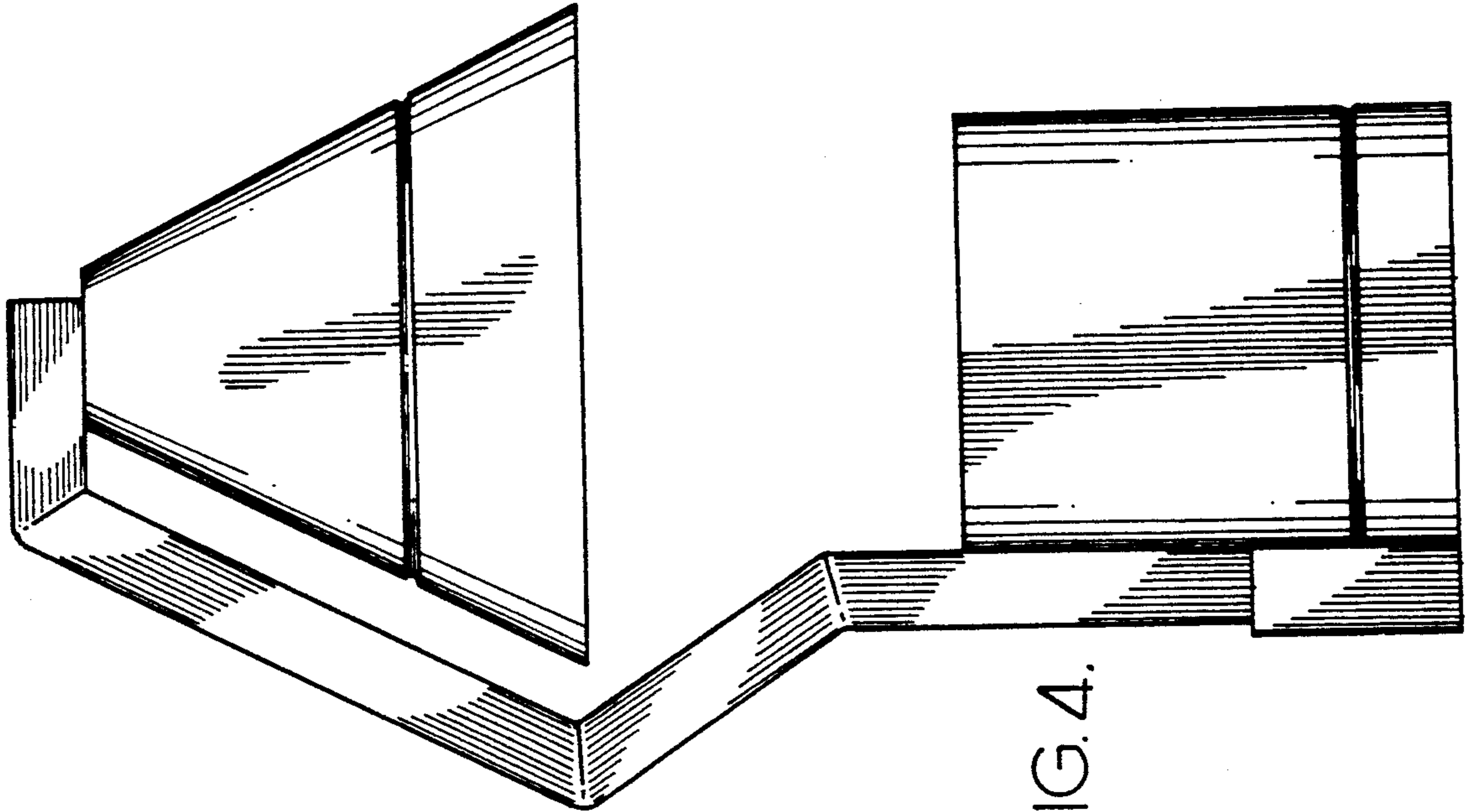


FIG. 4.

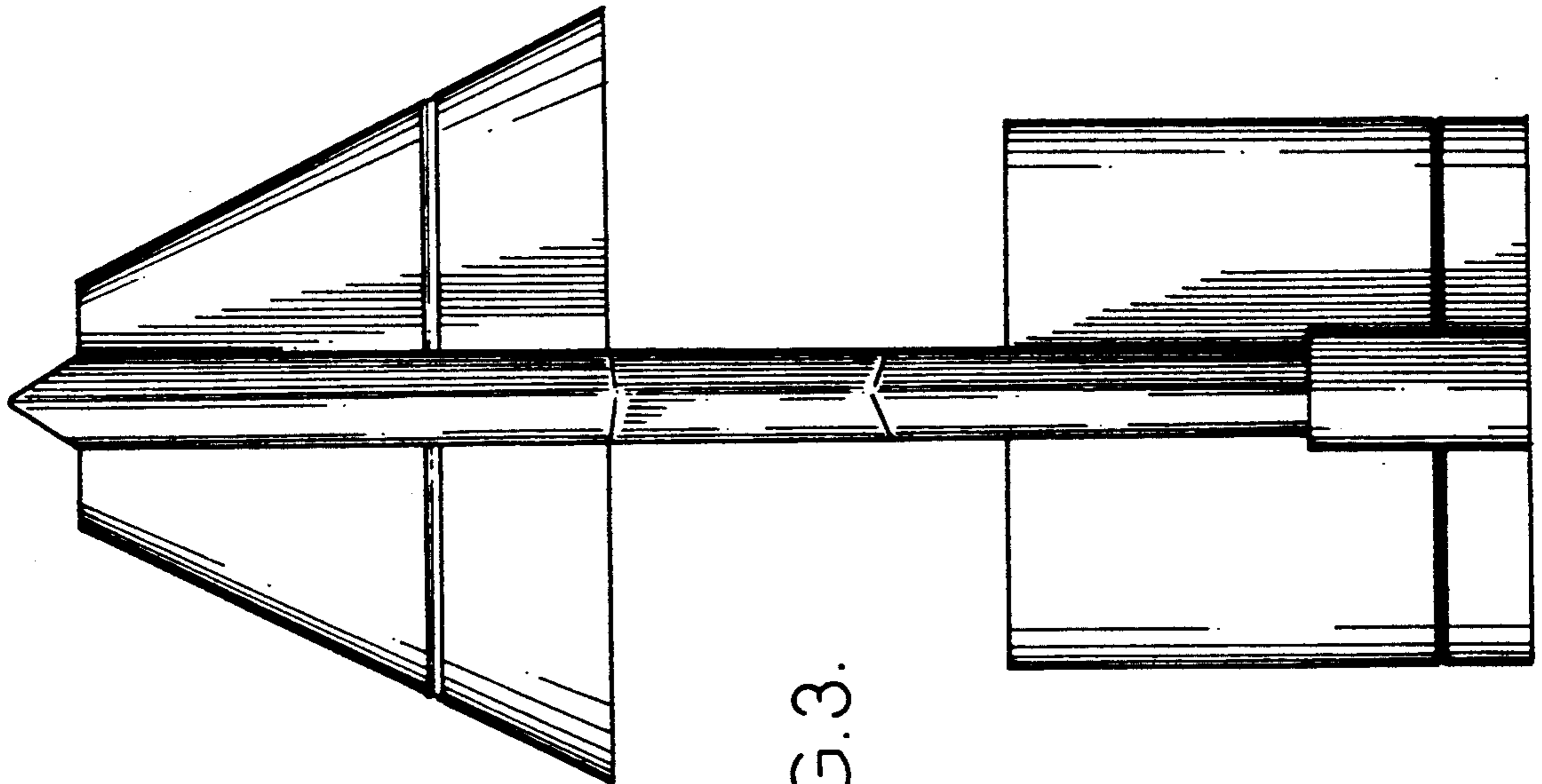


FIG. 3.

FIG. 6.

