



US00D342334S

United States Patent [19]

[11] Patent Number: **Des. 342,334**

Vakil

[45] Date of Patent: **** Dec. 14, 1993**

[54] **CORNER MOUNTED COMBINED LIGHTING FIXTURE & MOTION SENSORS**

[56] **References Cited**

[75] Inventor: **Usman Vakil, Walnut, Calif.**

U.S. PATENT DOCUMENTS

[73] Assignee: **Lights of America, Inc., Walnut, Calif.**

D. 195,443	6/1963	Gibson	D10/114
D. 226,032	1/1973	Siesholtz	D26/86 X
D. 262,869	2/1982	Guscott et al.	D10/106
D. 269,072	5/1983	Sweet et al.	D10/106
D. 315,421	3/1991	Goldschmidt	D26/85
D. 323,405	1/1992	Kin	D26/85 X
4,288,784	9/1981	Fusco	340/326

[**] Term: **14 Years**

Primary Examiner—Susan J. Lucas
Attorney, Agent, or Firm—Graham & James

[21] Appl. No.: **984,410**

[57] **CLAIM**

[22] Filed: **Oct. 2, 1992**

The ornamental design for a corner mounted combined lighting fixture and motion sensor, as shown and described.

Related U.S. Application Data

DESCRIPTION

[63] Continuation of Ser. No. 643,061, Jan. 18, 1991, abandoned.

FIG. 1 is a front perspective view of a corner mounted combined lighting fixture and motion sensors showing my new design;

[52] U.S. Cl. D26/51; D10/114; D26/72; D26/85

FIG. 2 is a front elevational view thereof;

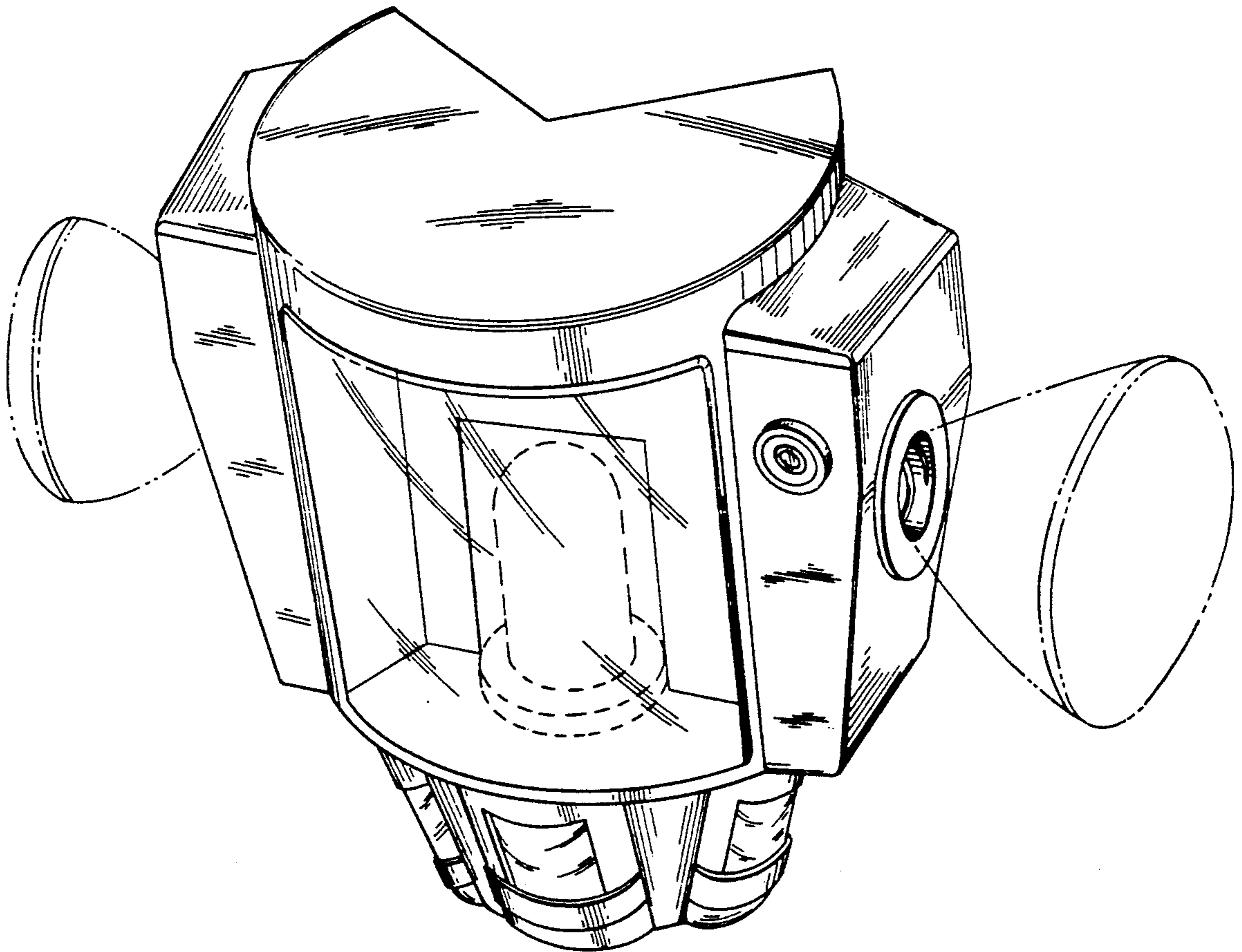
[58] Field of Search D10/114, 106; D26/24, D26/51, 72-92; 340/326, 331, 332, 539, 541, 552, 561, 691, 693; 362/404-408, 147, 432, 362, 367

FIG. 3 is a side elevational view thereof, the opposite side being a mirror image;

FIG. 4 is a top plan view thereof;

FIG. 5 is a rear elevational view thereof; and,

FIG. 6 is a bottom plan view thereof.



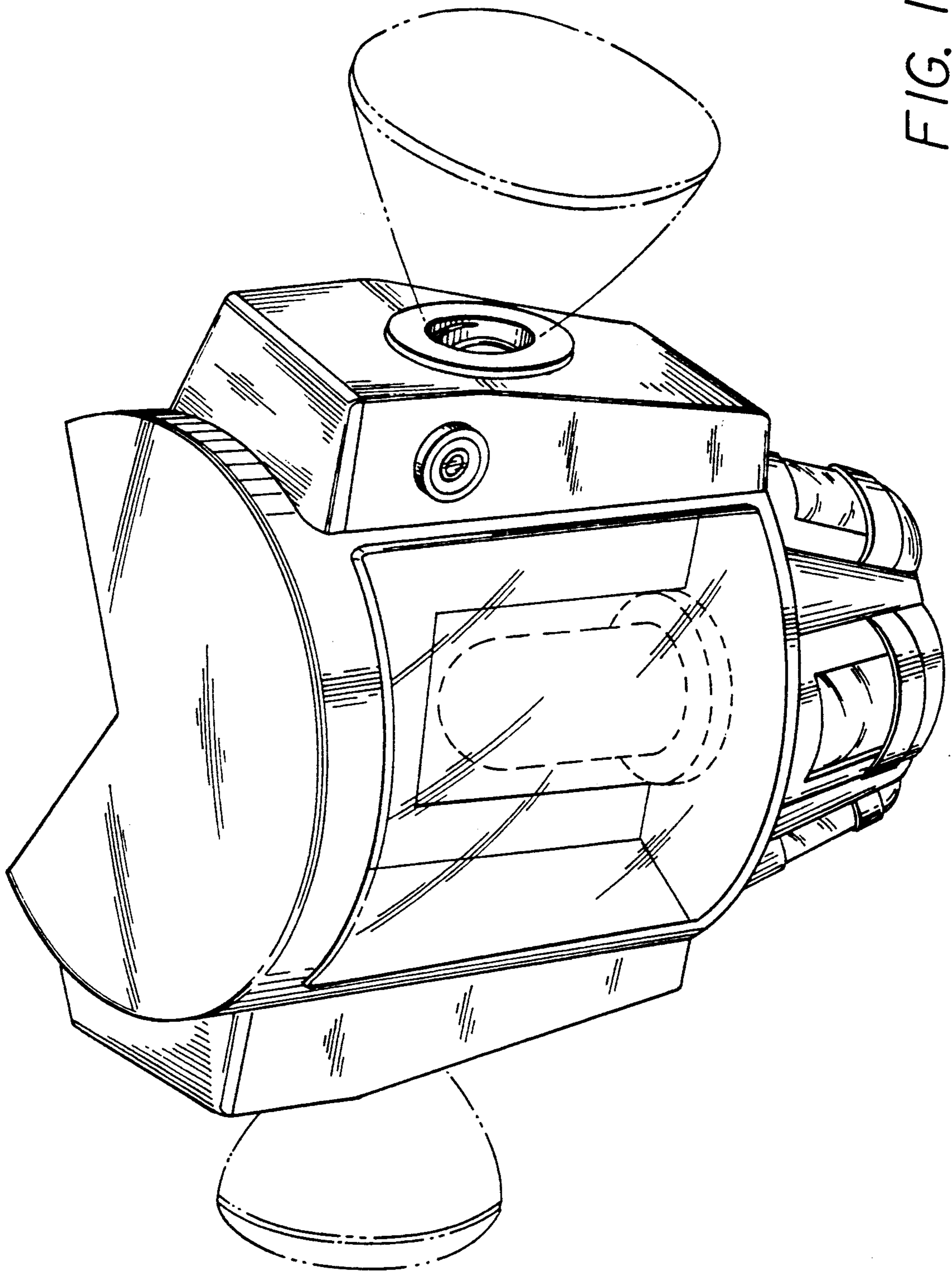


FIG. 1

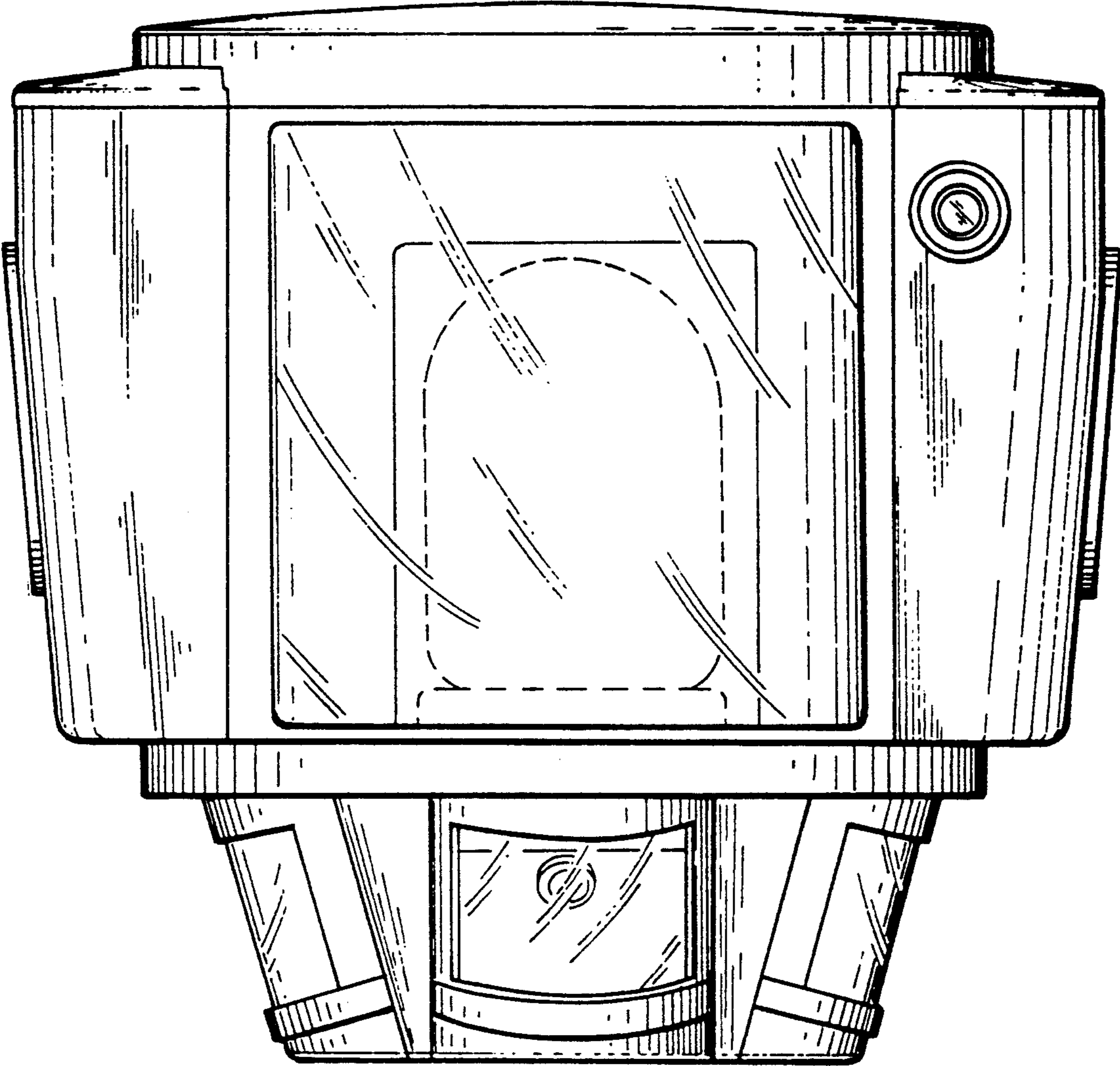


FIG. 2

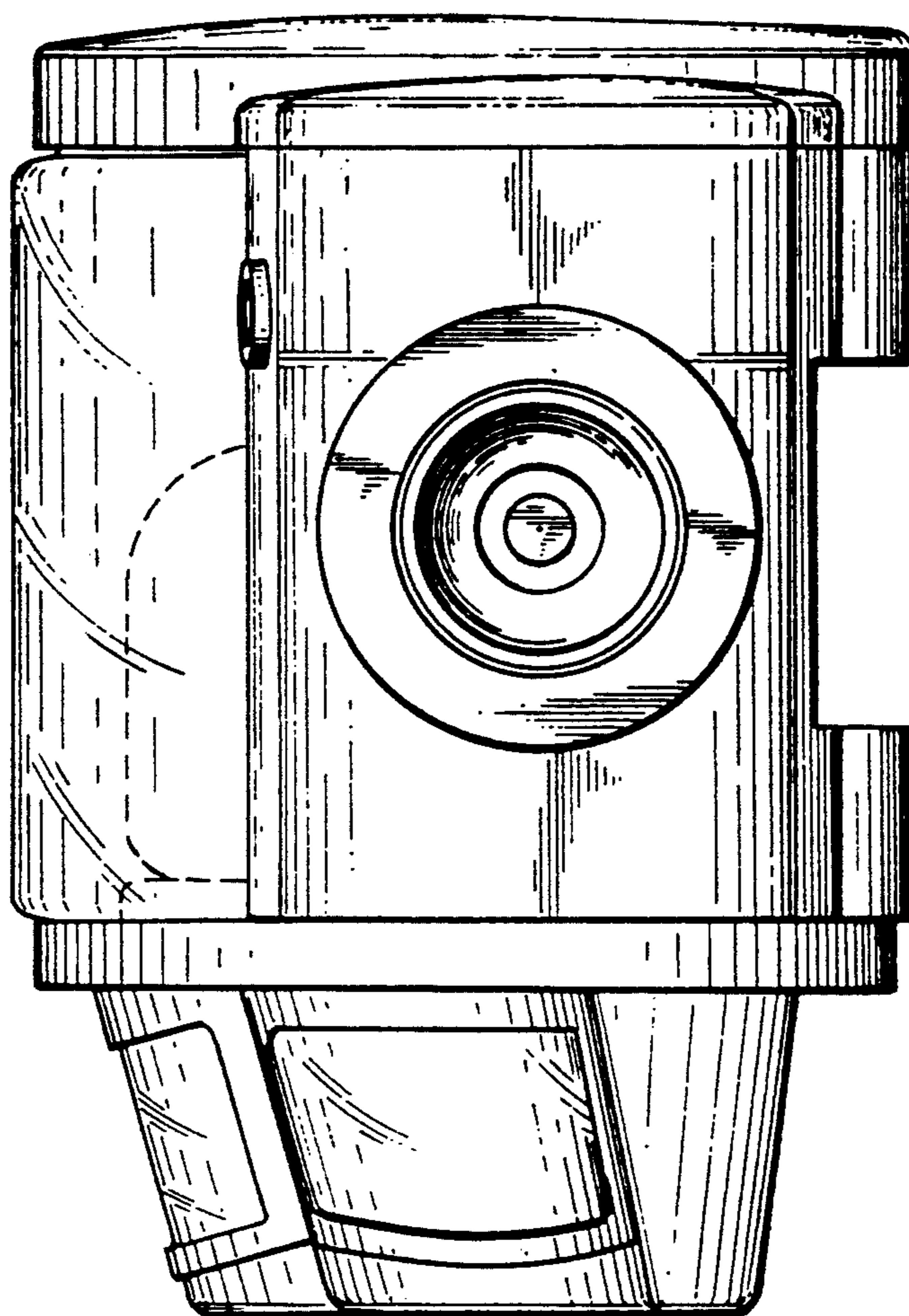


FIG. 3

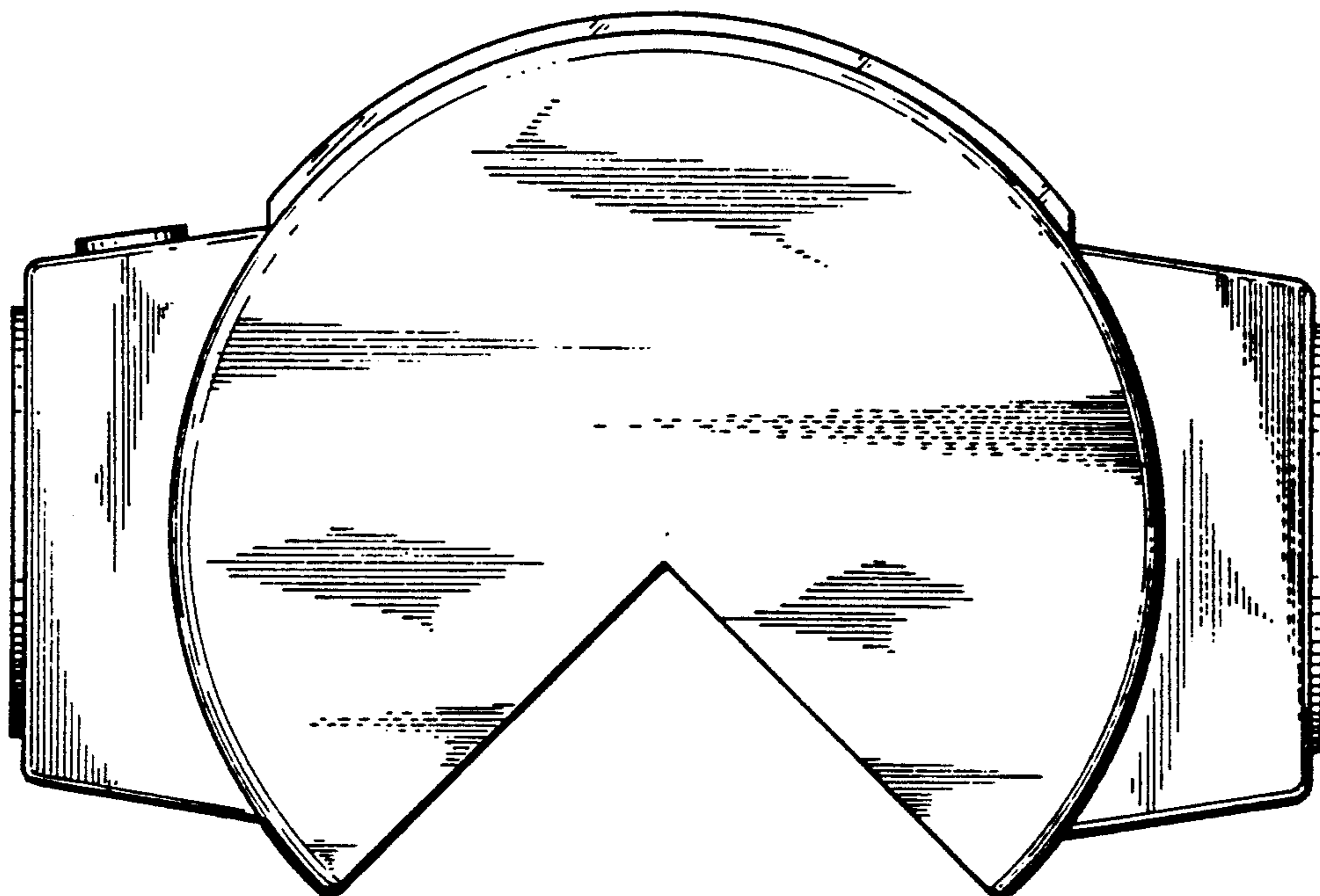


FIG. 4

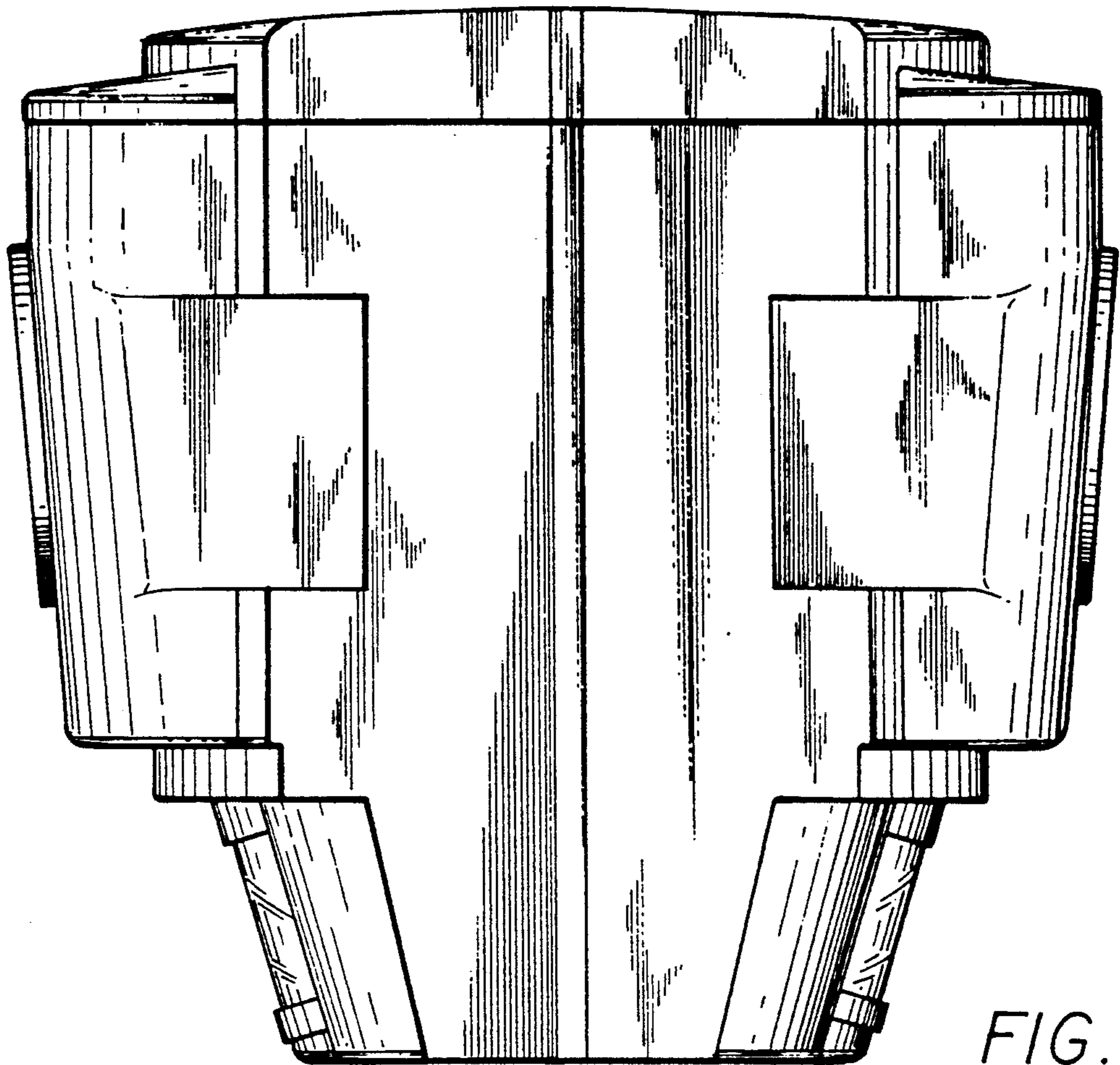


FIG. 5

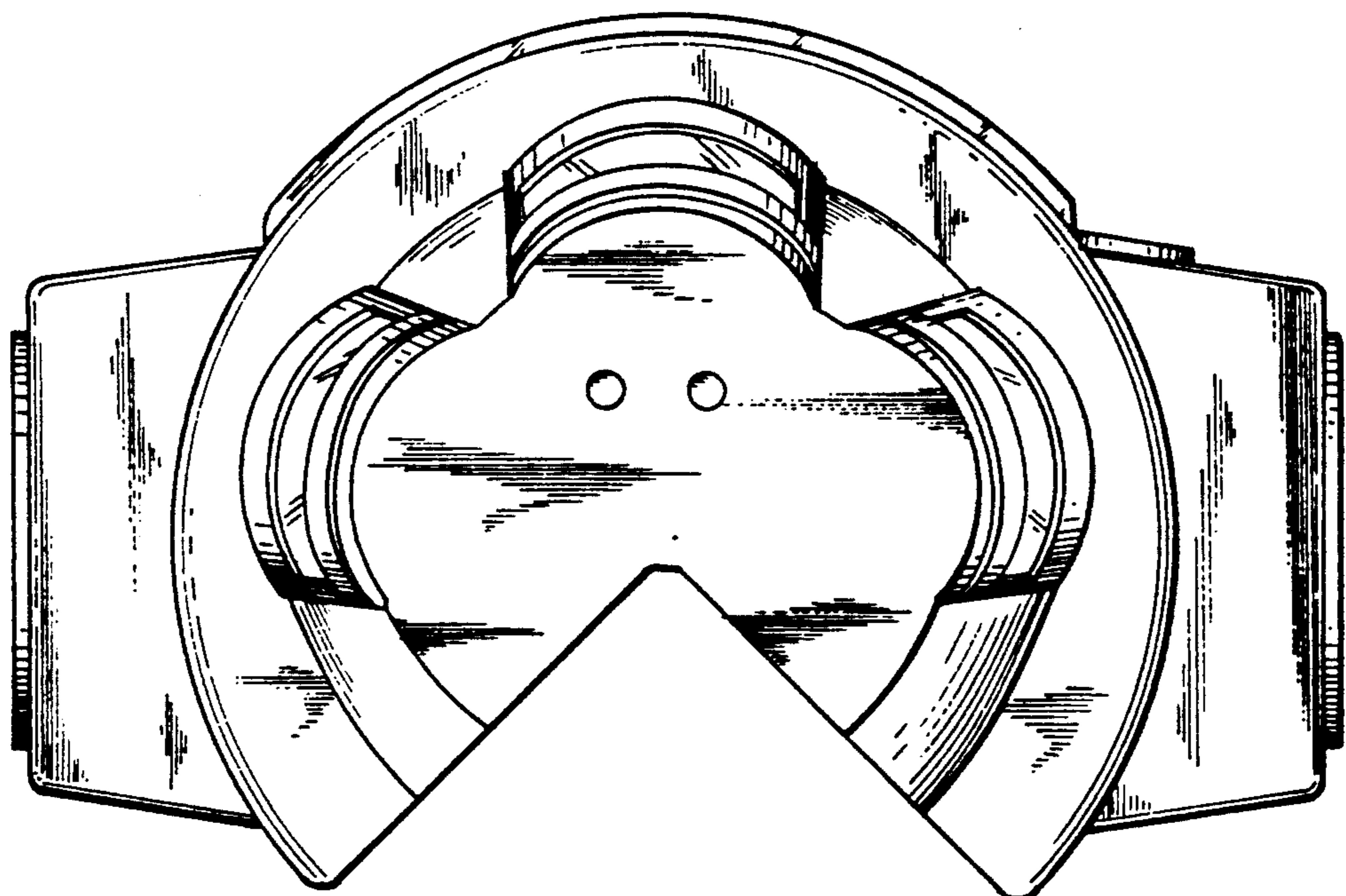


FIG. 6