



US00D342333S

United States Patent [19]

[11] Patent Number: **Des. 342,333**

Maglica

[45] Date of Patent: **** Dec. 14, 1993**

[54] **FLASHLIGHT**

[75] Inventor: **Anthony Maglica, Anaheim, Calif.**

[73] Assignee: **Mag Instrument, Inc., Ontario, Calif.**

[**] Term: **14 Years**

[21] Appl. No.: **834,497**

[22] Filed: **Feb. 11, 1992**

[52] U.S. Cl. **D26/49**

[58] Field of Search **D26/37-50;**
362/157, 158, 183, 184, 189, 190, 191, 196, 197,
198, 199, 200, 201, 202, 203

[56] **References Cited**

U.S. PATENT DOCUMENTS

D. 55,571	6/1920	Paine	D26/49
D. 268,528	4/1983	Hung	D26/49
3,737,649	6/1973	Nelson et al.	D26/48 X
3,890,498	6/1975	Toth, Sr.	362/191 X
4,658,336	4/1987	Maglica	362/197
4,777,582	10/1988	Sharrah	362/202 X
4,905,129	2/1990	Sharrah	362/158

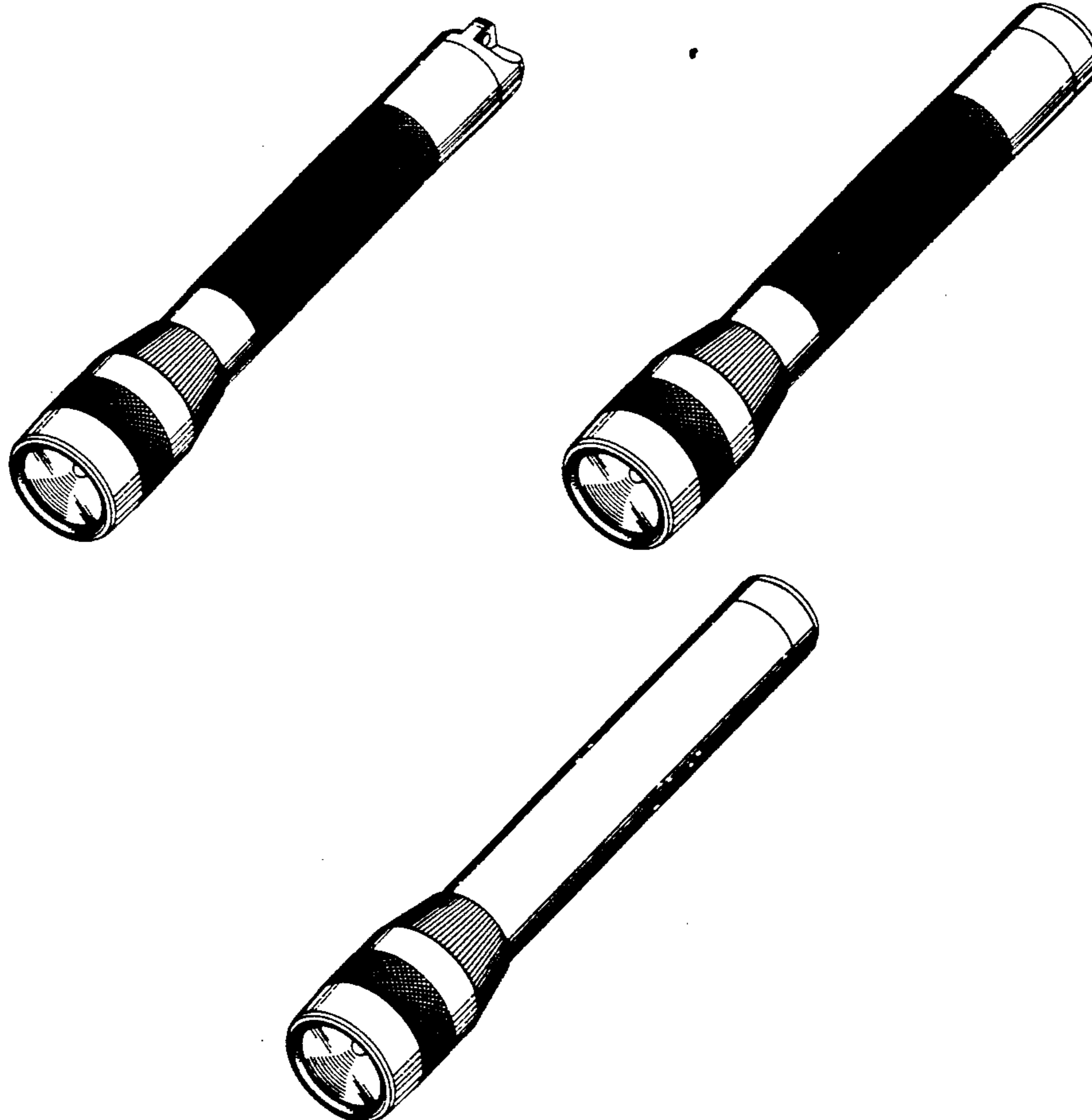
Primary Examiner—Susan J. Lucas
Attorney, Agent, or Firm—Lyon & Lyon

[57] **CLAIM**

The ornamental design for a flashlight, as shown and described.

DESCRIPTION

FIG. 1 is a front perspective view of the flashlight showing my new design;
 FIG. 2 is a rear perspective view thereof;
 FIG. 3 is a side elevational view thereof, the opposite side being identical in appearance;
 FIG. 4 is a rear elevational view thereof;
 FIG. 5 is a front elevational view thereof;
 FIG. 6 is a front perspective view of an alternative embodiment of the flashlight showing my new design;
 FIG. 7 is a rear perspective view thereof;
 FIG. 8 is a side elevational view thereof, the opposition side being identical in appearance;
 FIG. 9 is a rear elevational view thereof;
 FIG. 10 is a front elevational view thereof;
 FIG. 11 is a front perspective view of another alternative embodiment of the flashlight showing my new design;
 FIG. 12 is a rear perspective view thereof;
 FIG. 13 is a side elevational view thereof, the opposition side being identical in appearance;
 FIG. 14 is a rear elevational view thereof; and,
 FIG. 15 is a front elevational view thereof.



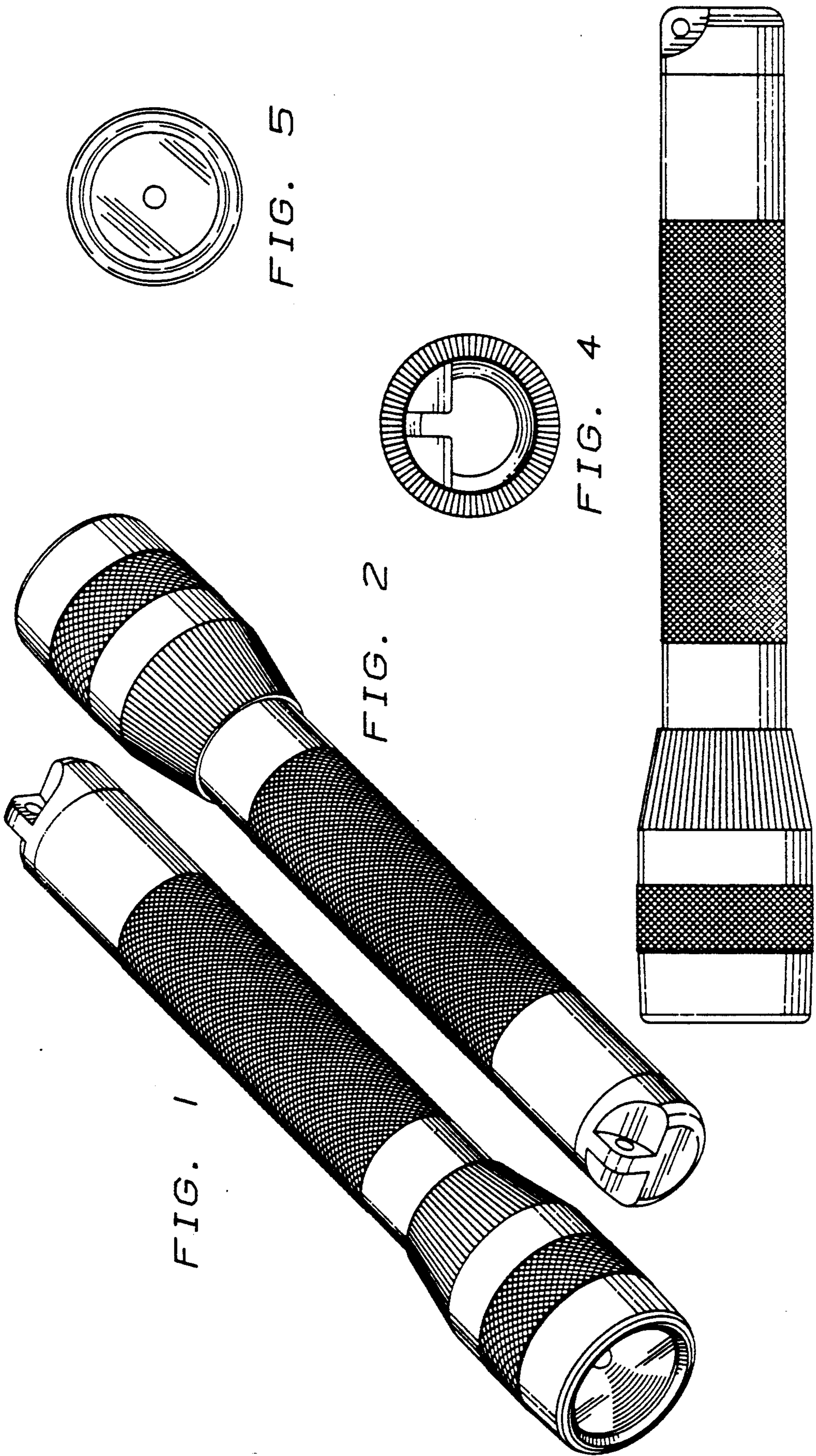


FIG. 1

FIG. 2

FIG. 4

FIG. 3

FIG. 5

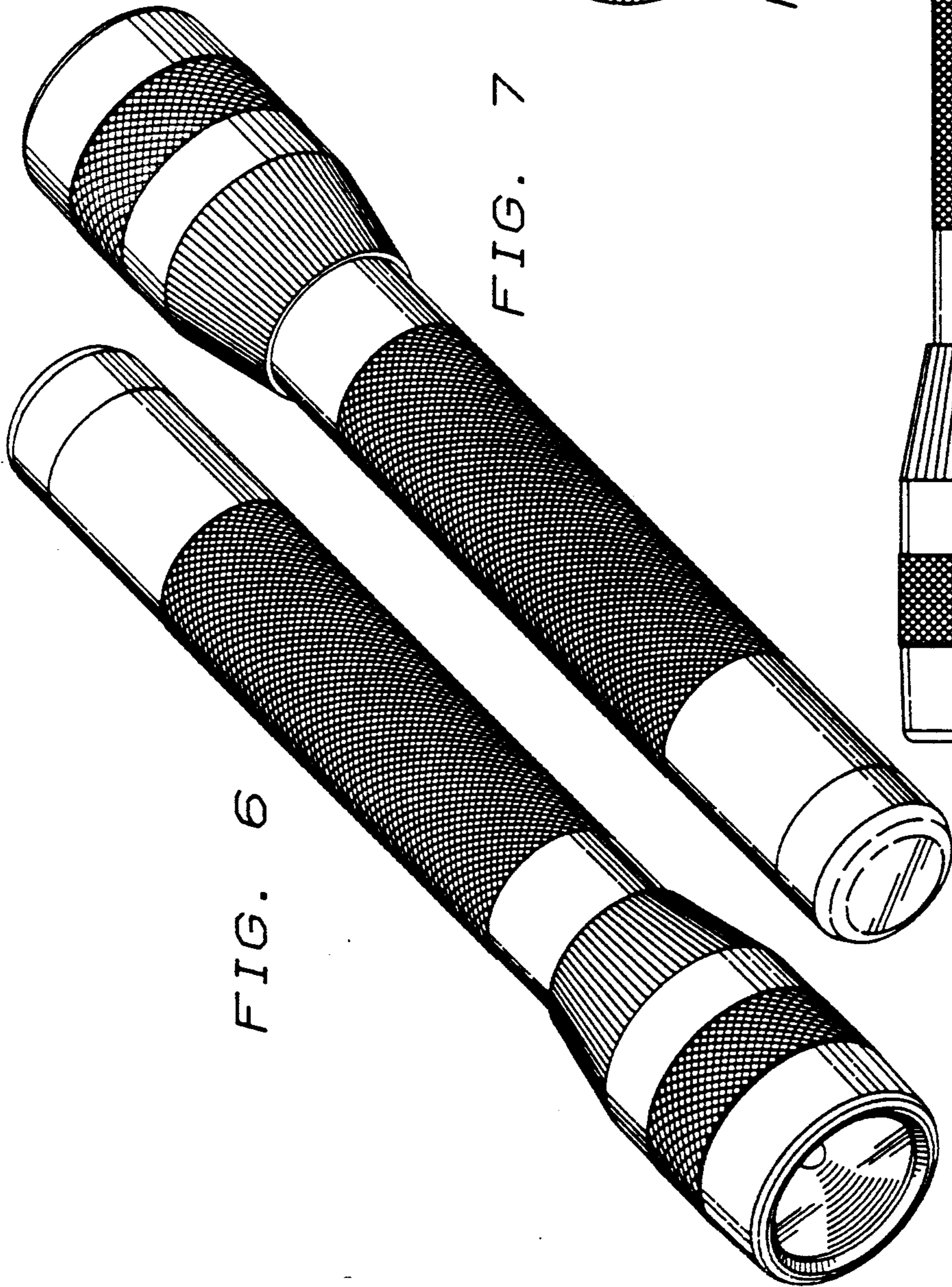


FIG. 6

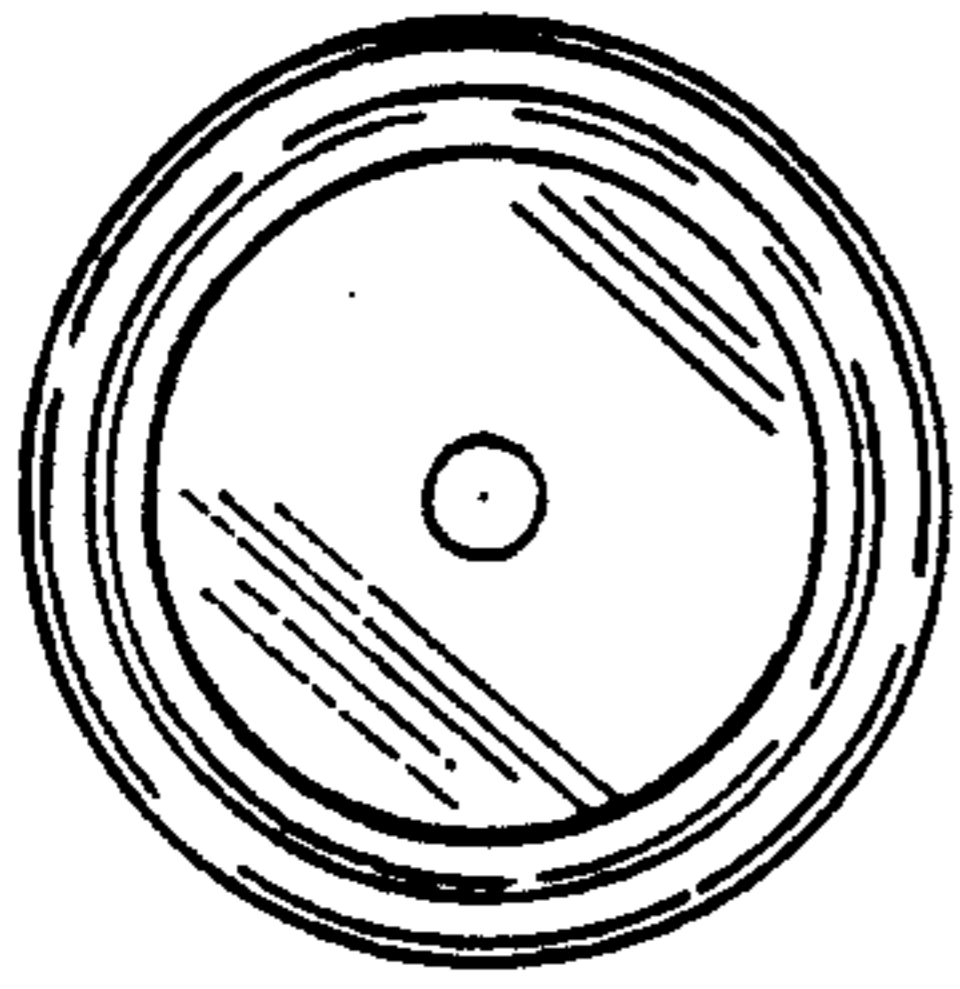


FIG. 10

FIG. 7

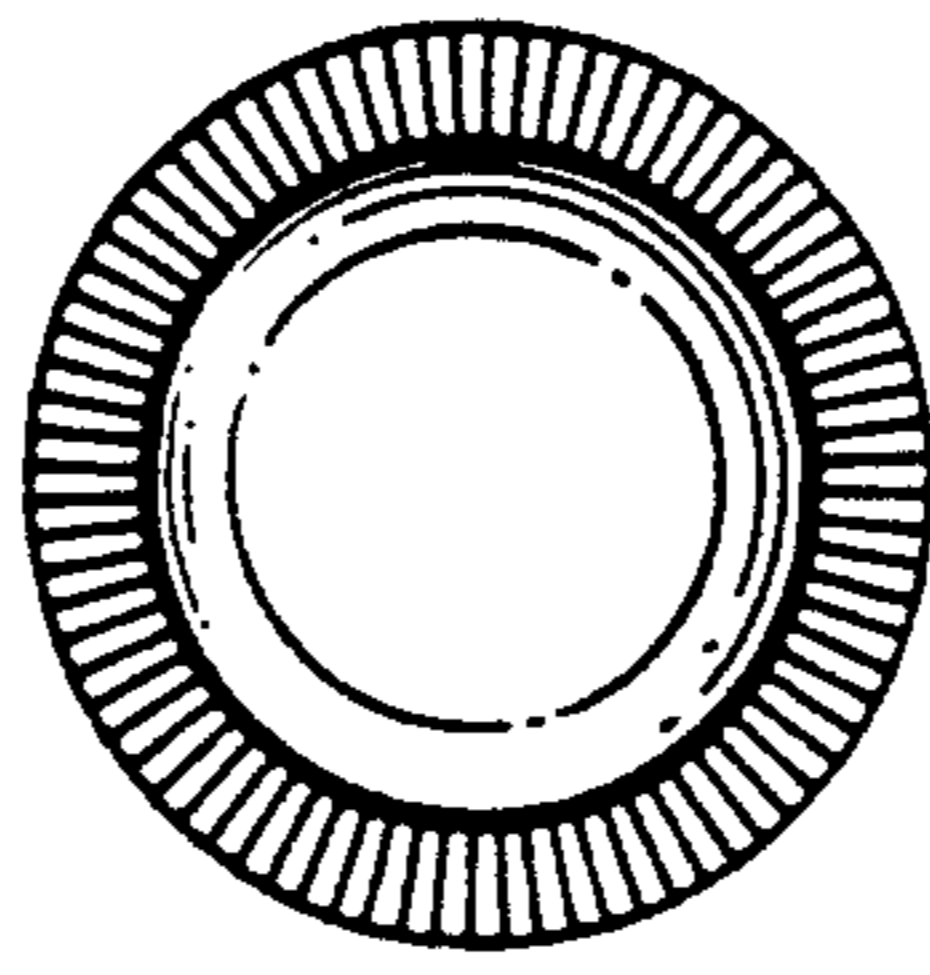


FIG. 9

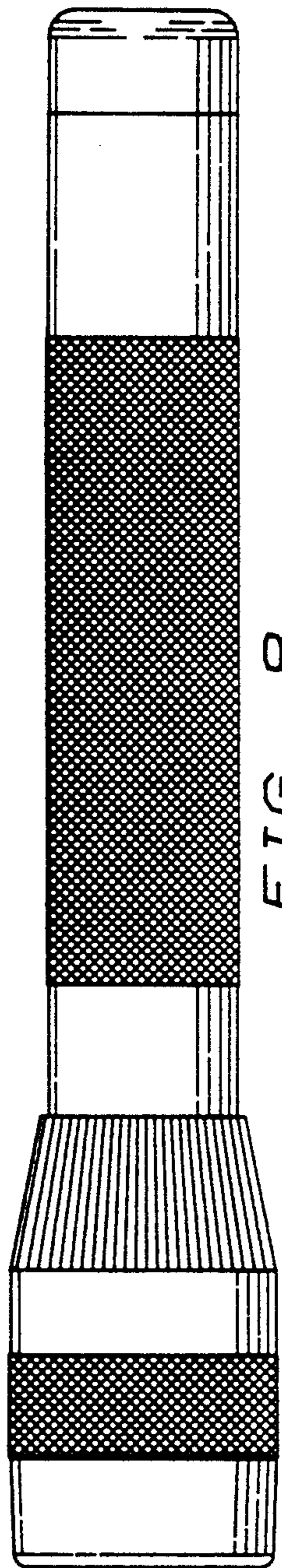


FIG. 8

