



US00D342326S

United States Patent [19]
Hansson

[11] **Patent Number: Des. 342,326**
[45] **Date of Patent: ** Dec. 14, 1993**

[54] **BUILDING PANEL**

[75] **Inventor: Soren Hansson, Kalix, Sweden**

[73] **Assignee: NPF Nordisk Plattformning AB,
Sweden**

[**] **Term: 14 Years**

[21] **Appl. No.: 815,368**

[22] **Filed: Dec. 31, 1991**

[30] **Foreign Application Priority Data**

Jul. 4, 1991 [SE] Sweden 91-1393

[52] **U.S. Cl. D25/119; D25/138**

[58] **Field of Search D25/138, 119; 52/519,
52/522, 528, 531**

[56]

References Cited

U.S. PATENT DOCUMENTS

466,850	1/1892	Goodwin	52/528
638,064	11/1899	Reese	52/528
3,127,960	4/1964	Smith et al.	D25/119
3,239,985	3/1966	Harter	D25/119
3,420,029	1/1969	Martin	D25/119
4,522,007	6/1985	Oehlerz	52/522
4,561,233	12/1985	Harter et al.	52/522
4,694,628	9/1987	Vondergoltz et al.	52/528

Primary Examiner—A. Hugo Word

Assistant Examiner—Doris Clark

Attorney, Agent, or Firm—Burns, Doane, Swecker & Mathis

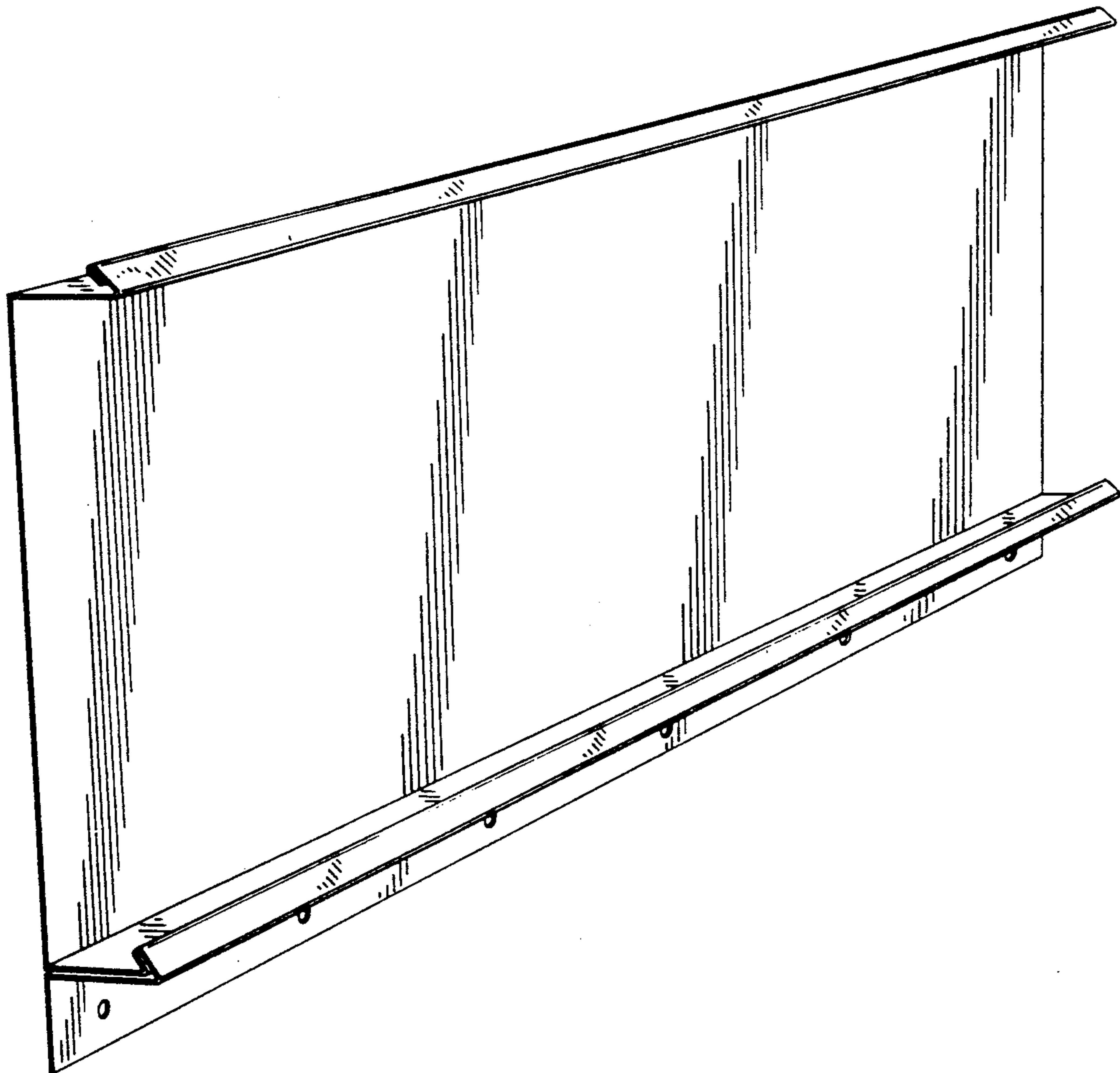
[57]

CLAIM

The ornamental design for a building panel, as shown and described.

DESCRIPTION

FIG. 1 is a front perspective view of a building panel showing my new design; and, FIG. 2 is a rear perspective view thereof.



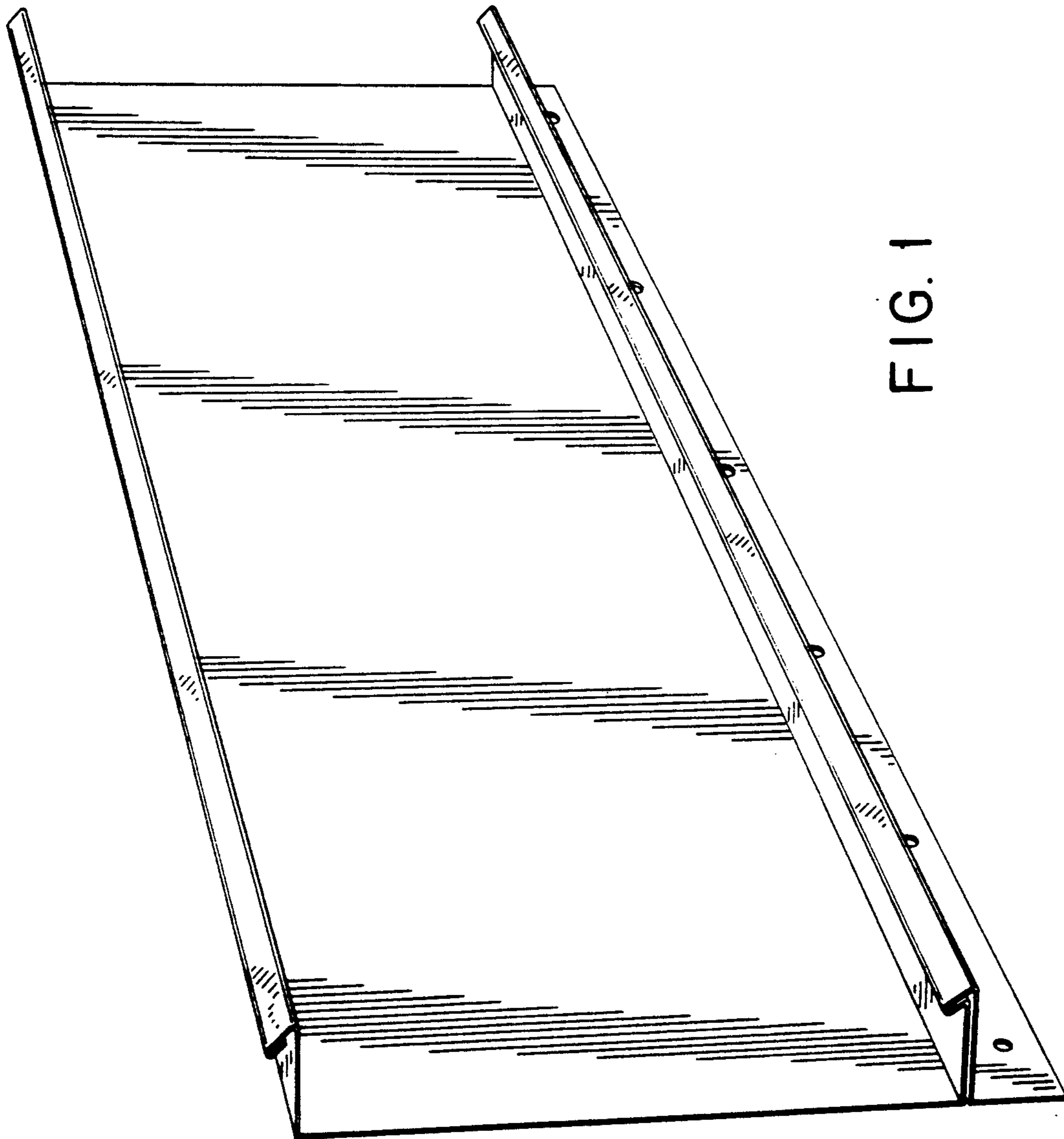


FIG. 1

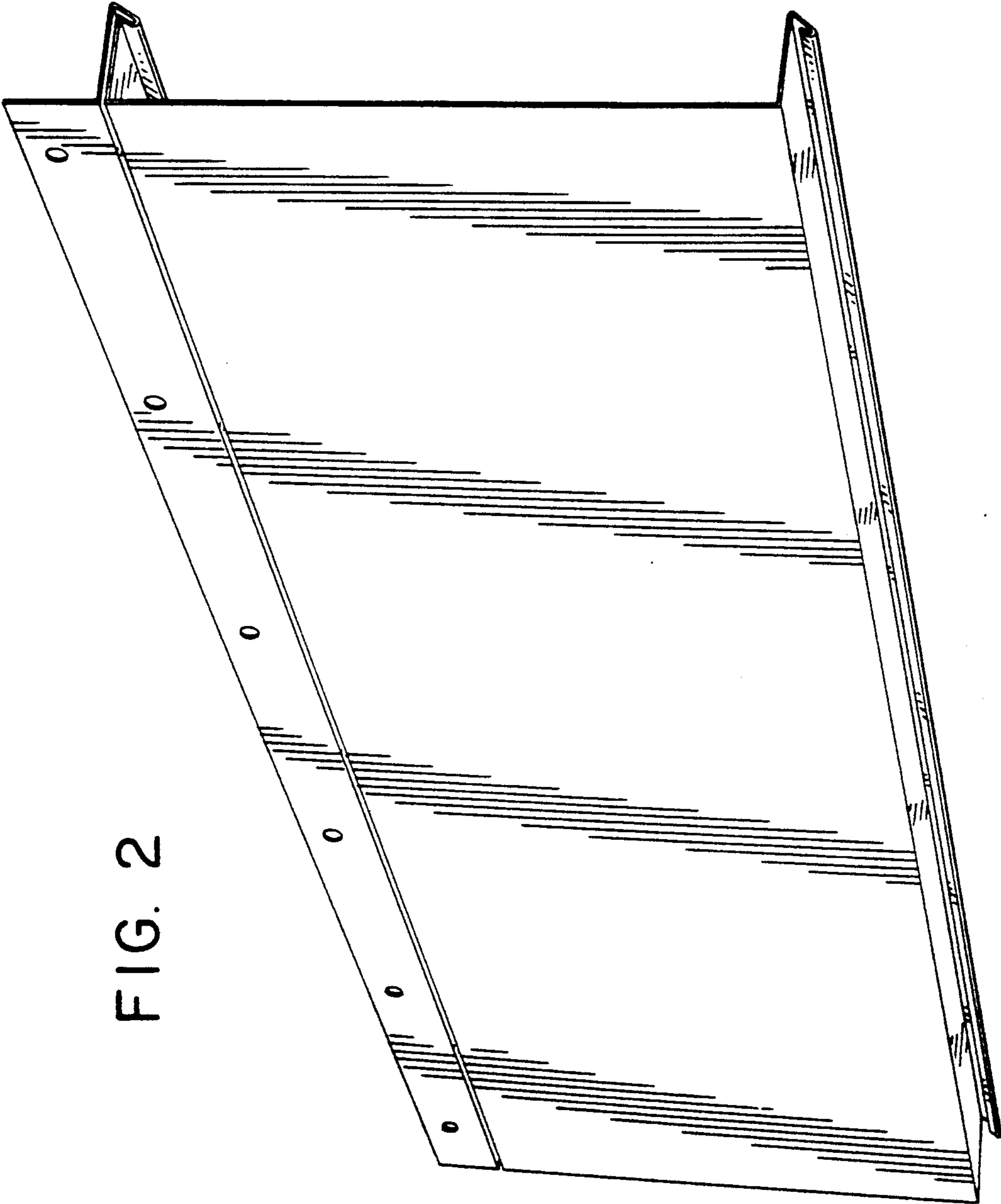


FIG. 2