



US00D342325S

United States Patent [19] Underdahl

[11] Patent Number: Des. 342,325
[45] Date of Patent: ** Dec. 14, 1993

[54] LOUVER

[75] Inventor: Russell H. Underdahl, Arden Hills, Minn.

[73] Assignee: Pinecrest, Inc., Minneapolis, Minn.

[**] Term: 14 Years

[21] Appl. No.: 666

[22] Filed: Oct. 20, 1992

[52] U.S. Cl. D25/47

[58] Field of Search D25/47; 49/74 R, 74 L, 49/80 R, 80 S, 80 Q, 92 SS, 81 R, 81 MD; 160/130, 236

[56] **References Cited**

U.S. PATENT DOCUMENTS

D. 304,497	11/1989	Briggs, Sr. .	
345,689	7/1886	Hayes .	
533,045	1/1895	Blane	D25/47
873,810	12/1907	Vance	160/236
2,729,287	1/1956	Goldner	160/236
4,887,391	12/1989	Briggs, Sr. .	
4,974,362	12/1990	Briggs, Sr. .	

OTHER PUBLICATIONS

2-page brochure re. the Pinecrest Light Shapers, ©Pinecrest, 1988.

Primary Examiner—A. Hugo Word
Assistant Examiner—Doris Clark
Attorney, Agent, or Firm—Merchant, Gould, Smith, Edell, Welter & Schmidt

[57] **CLAIM**

The ornamental design for a louver, as shown and described.

DESCRIPTION

FIG. 1 is a perspective view of a louver according to the principles of the present invention;
FIG. 2 is a left end view thereof, a right end view not being shown, as it is substantially a mirror image of the left end view;
FIG. 3 is a front elevational view thereof;
FIG. 4 is a bottom plan view thereof;
FIG. 5 is a rear elevational view thereof; and,
FIG. 6 is a top plan view thereof.

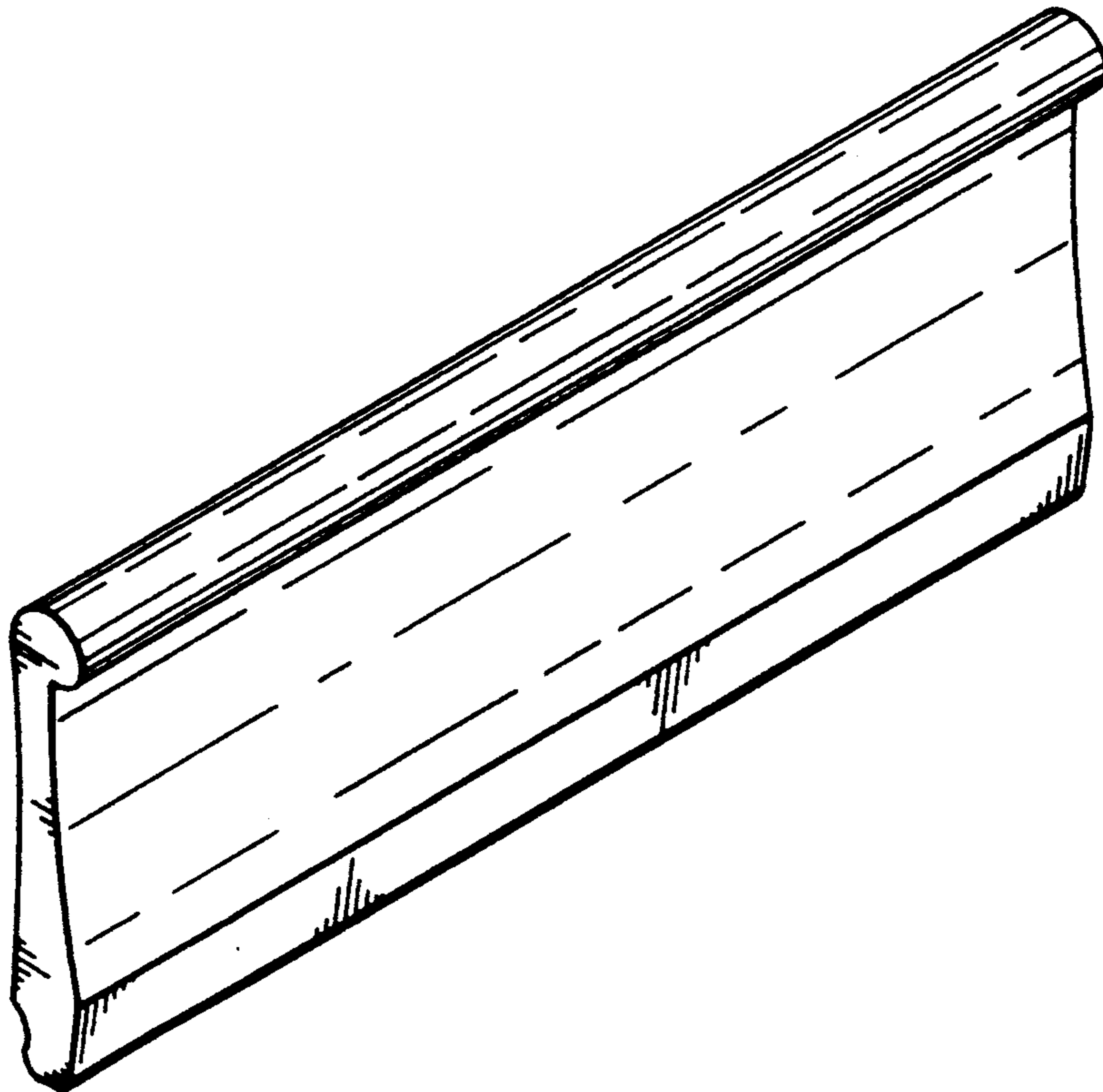


FIG. 1

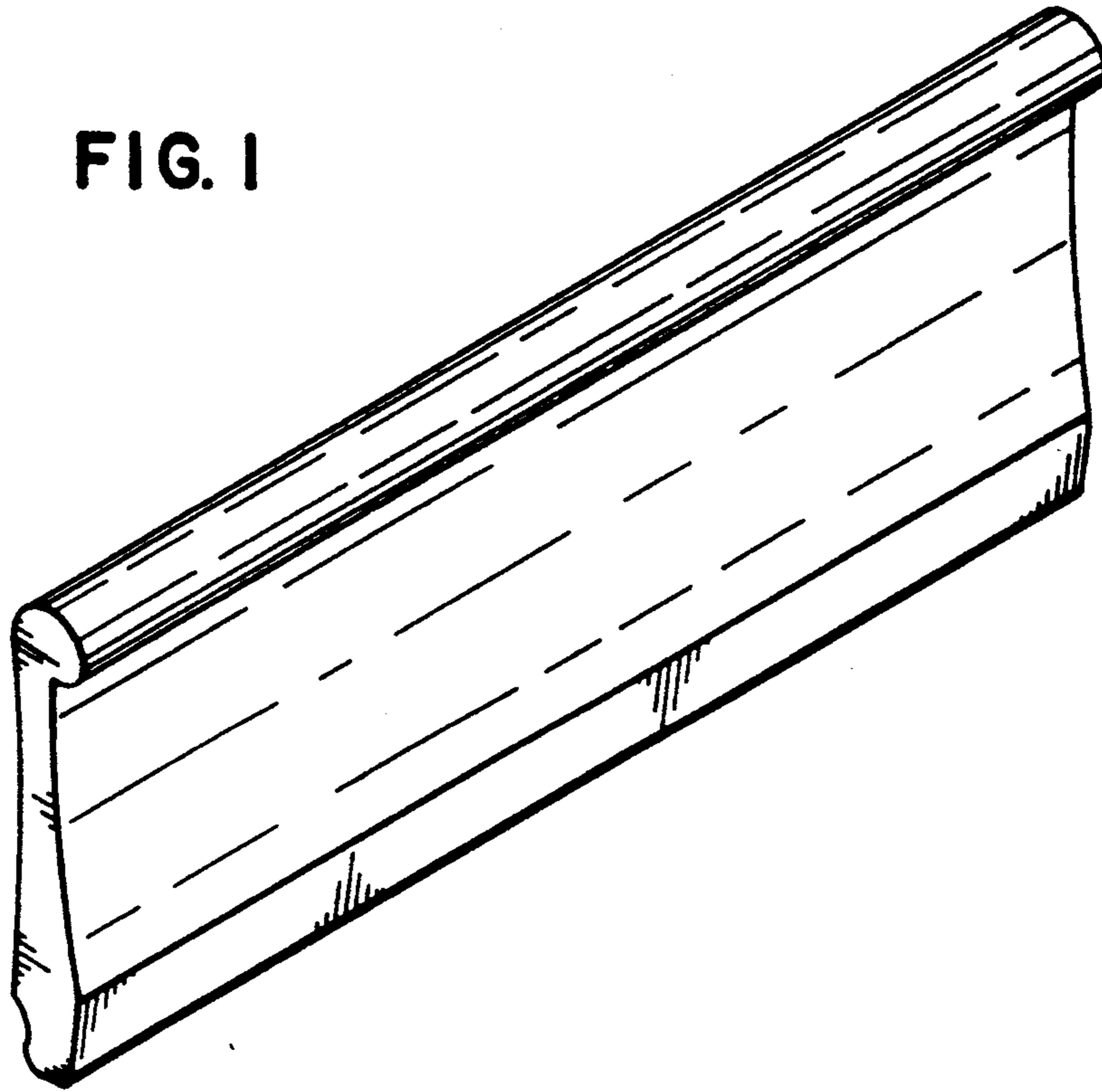


FIG. 2

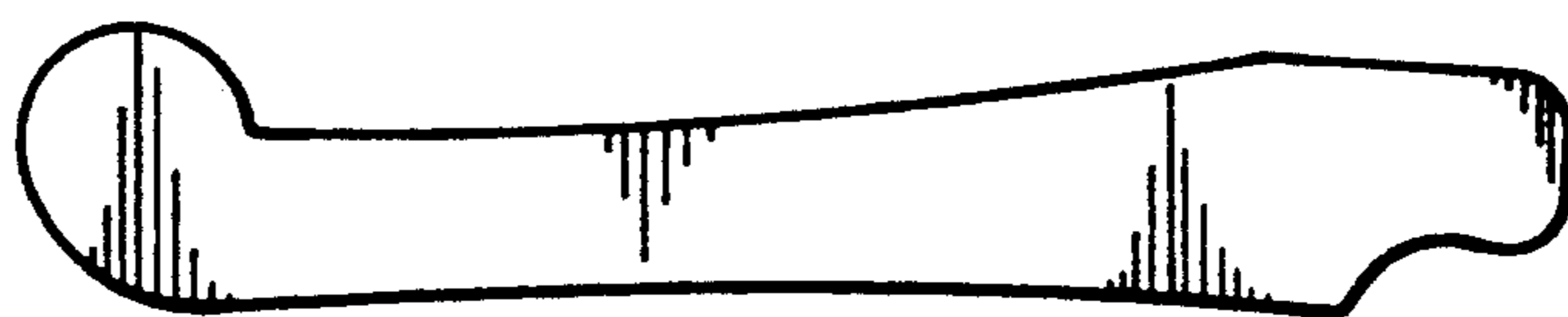


FIG. 3

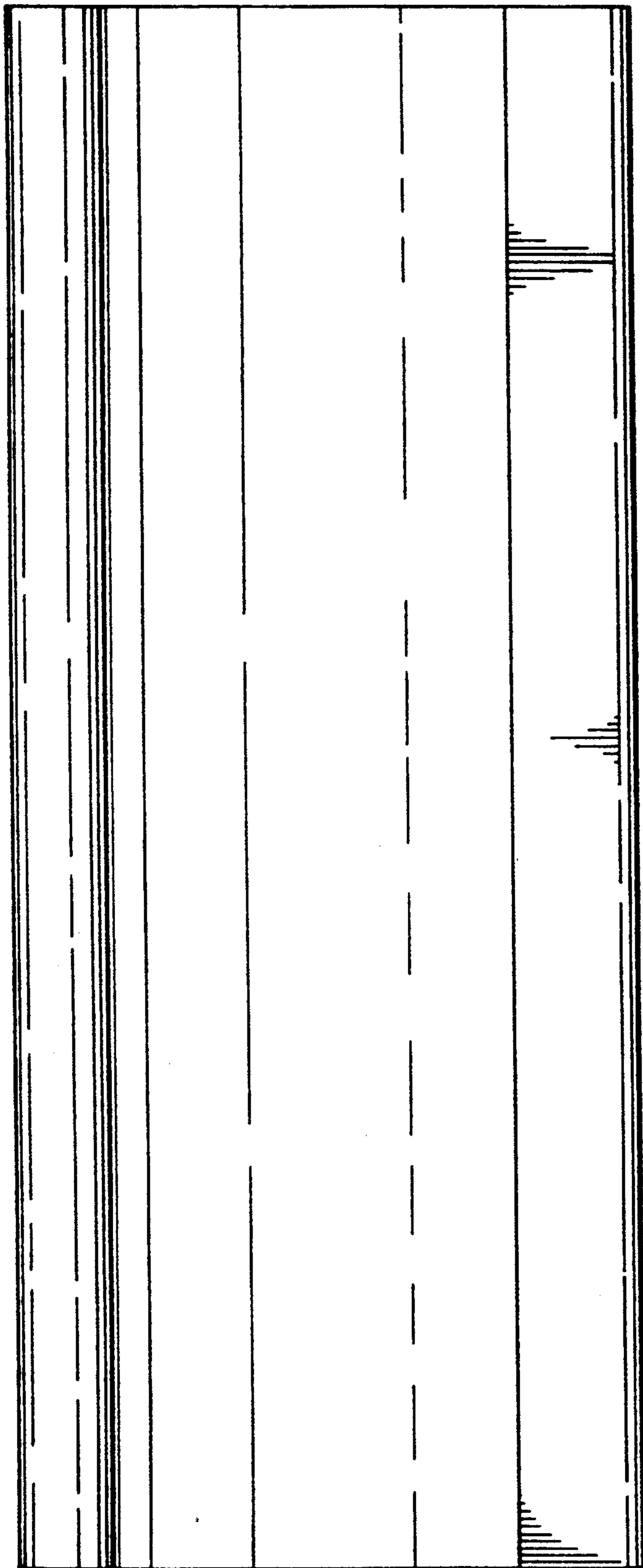


FIG. 4

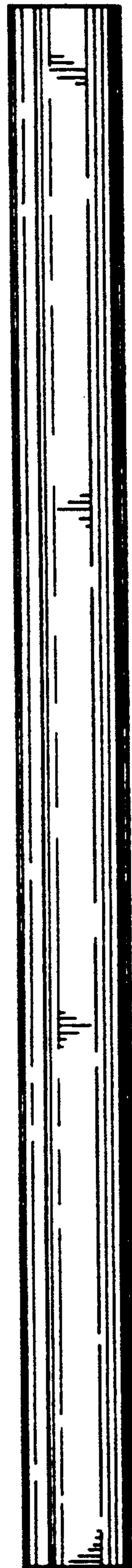


FIG. 5

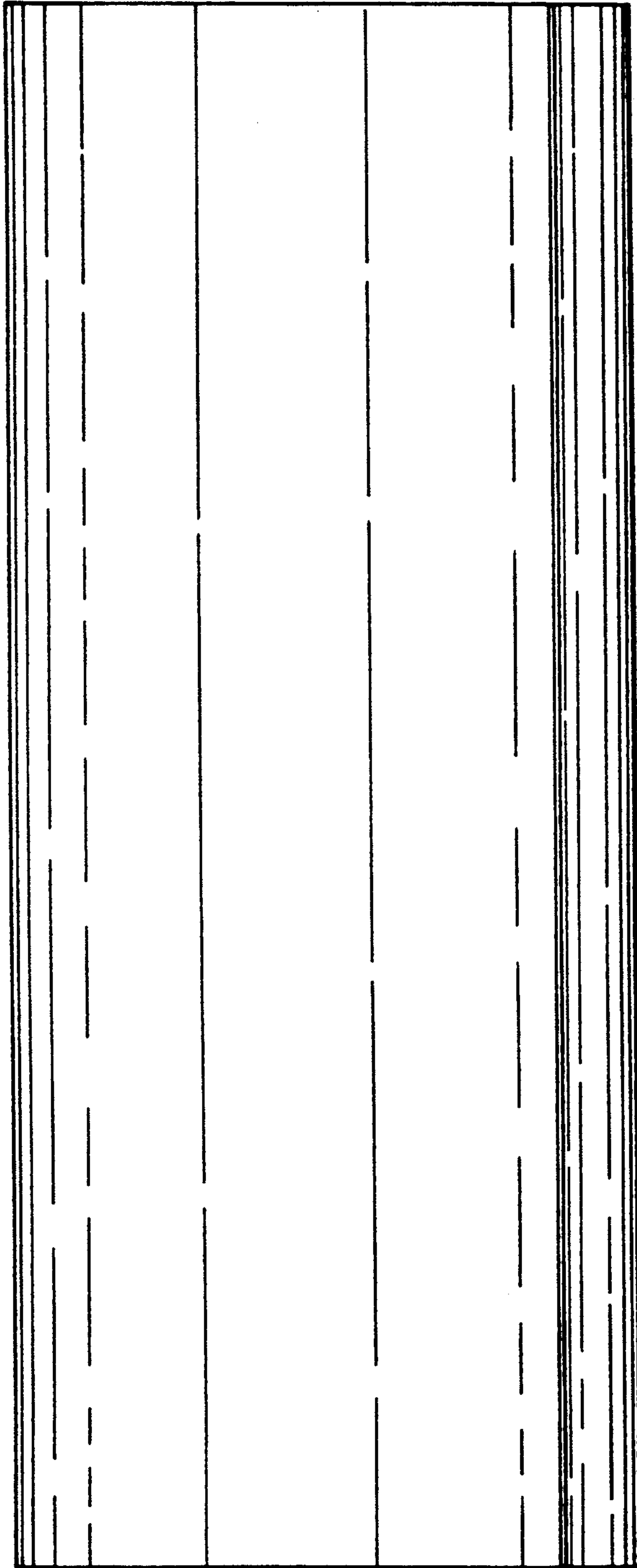


FIG. 6

