



US00D342324S

United States Patent [19]
Underdahl

[11] **Patent Number: Des. 342,324**
[45] **Date of Patent: ** Dec. 14, 1993**

[54] **LOUVER**

[75] **Inventor: Russell H. Underdahl, Arden Hills, Minn.**

[73] **Assignee: Pinecrest, Inc., Minneapolis, Minn.**

[**] **Term: 14 Years**

[21] **Appl. No.: 614**

[22] **Filed: Oct. 20, 1992**

[52] **U.S. Cl. D25/47**

[58] **Field of Search D25/47; 49/74 R, 74 L, 49/80 R, 80 S, 80 Q, 92 SS, 81 R, 81 MD; 160/130, 236**

[56] **References Cited**

U.S. PATENT DOCUMENTS

D. 268,875	5/1983	Kohler	D25/47
D. 304,497	11/1989	Briggs, Sr. .	
345,689	7/1886	Hayes .	
1,821,696	9/1931	Edge	52/738
4,545,294	10/1985	Dayos	160/236
4,887,391	12/1989	Briggs, Sr. .	
4,974,362	12/1990	Briggs, Sr. .	

OTHER PUBLICATIONS

2-page brochure re. the Pinecrest Light Shapers, ©Pinecrest, 1988.

Primary Examiner—A. Hugo Word
Assistant Examiner—Doris Clark
Attorney, Agent, or Firm—Merchant, Gould, Smith, Edell, Welter & Schmidt

[57] **CLAIM**

The ornamental design for a louver, as shown and described.

DESCRIPTION

FIG. 1 is a perspective view of a louver according to the principles of the present invention; FIG. 2 is a left end view thereof, a right end view not being shown, as it is substantially a mirror image of the left end view; FIG. 3 is a front elevational view thereof, a rear elevational view not being shown, as it is substantially a mirror image of the front elevational view; and, FIG. 4 is a top plan view thereof, a bottom plan view not being shown, as it is substantially a mirror image of the top plan view.

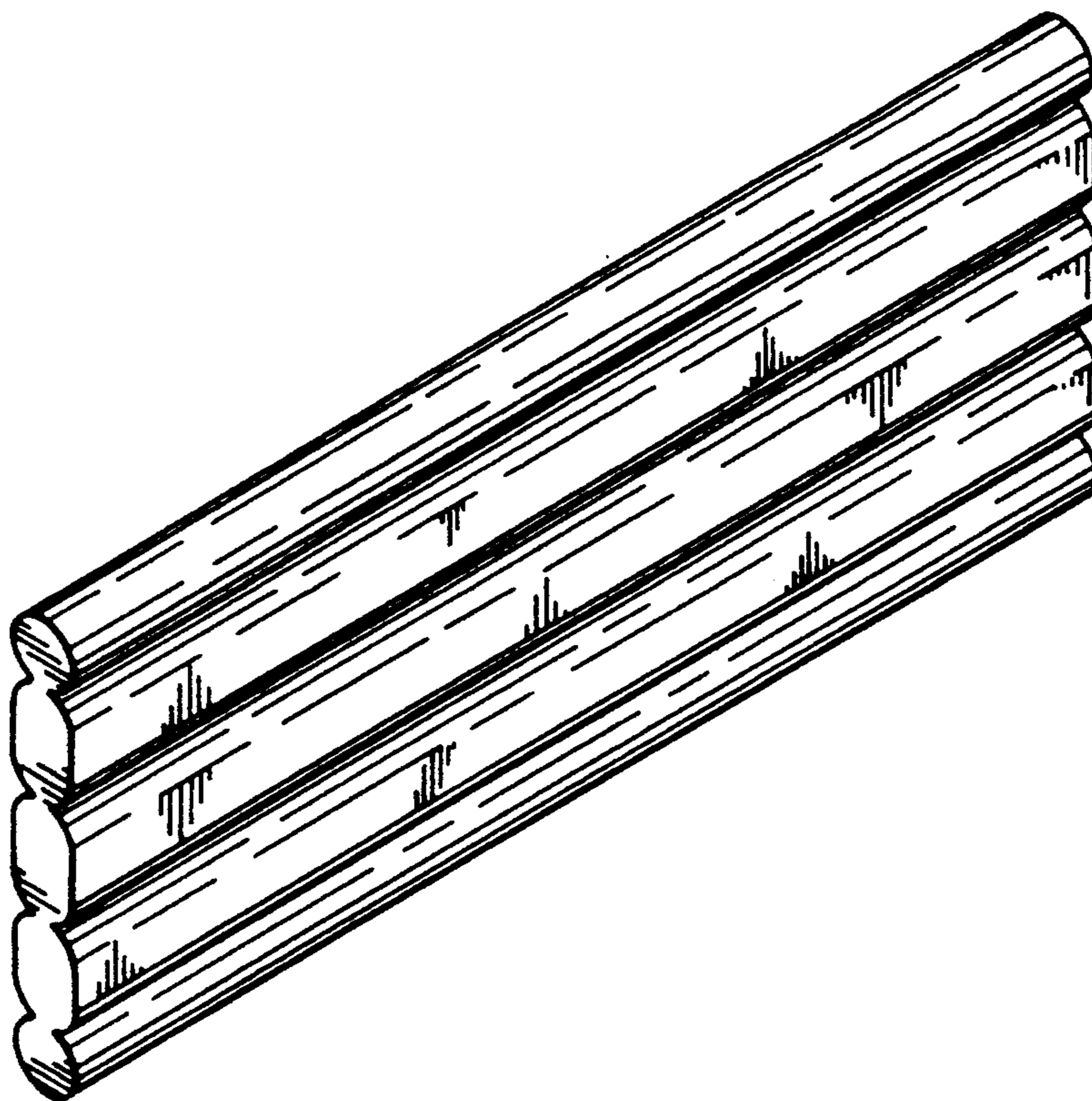


FIG. 1

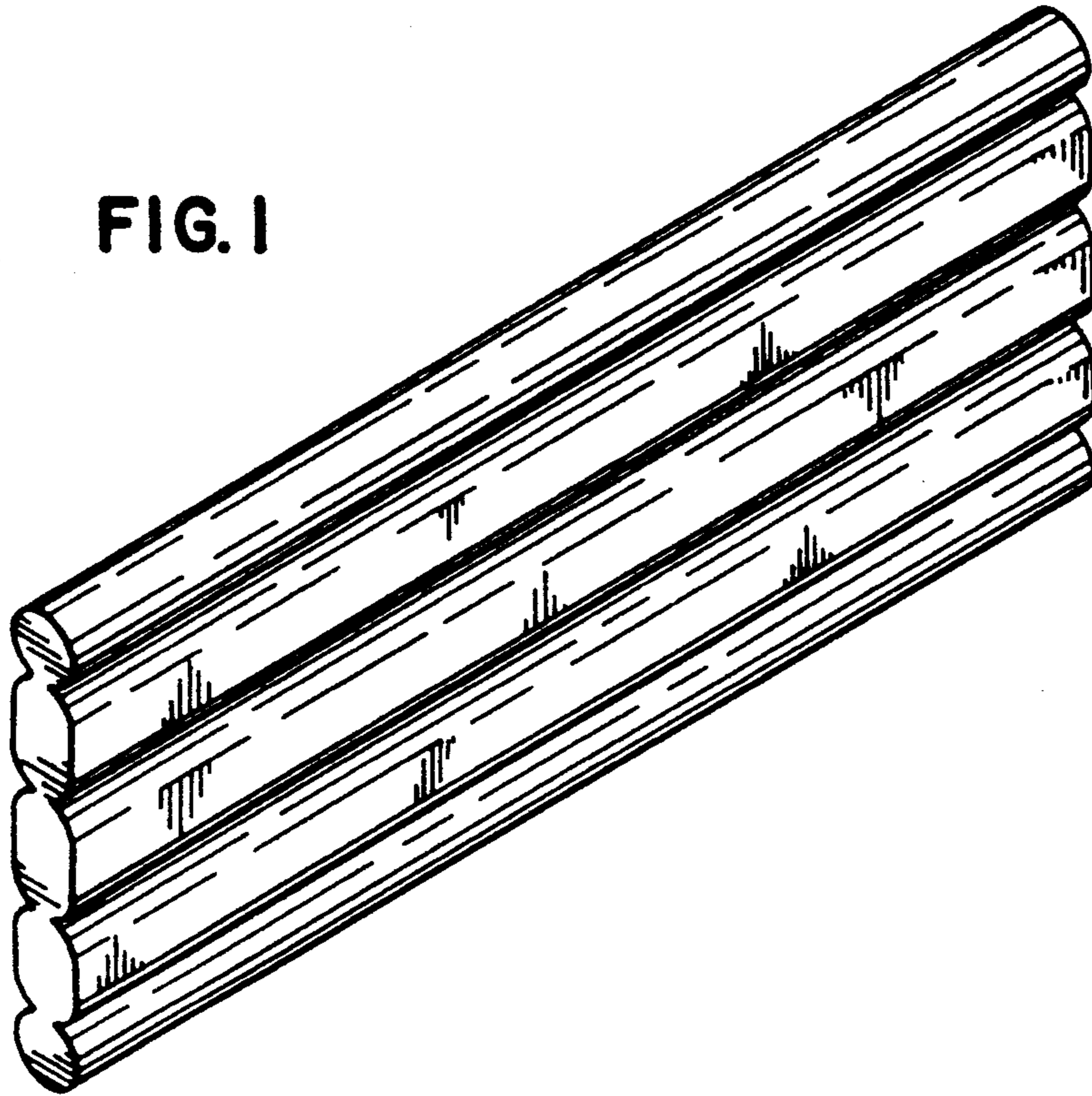


FIG. 2

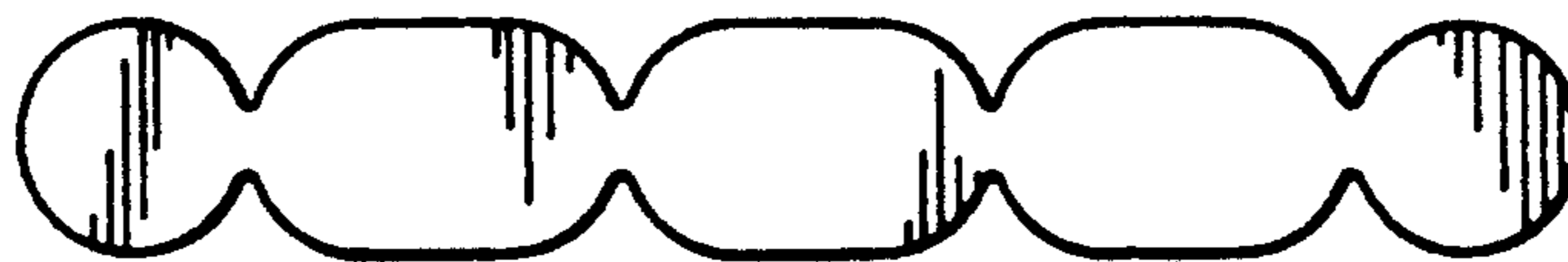


FIG. 3

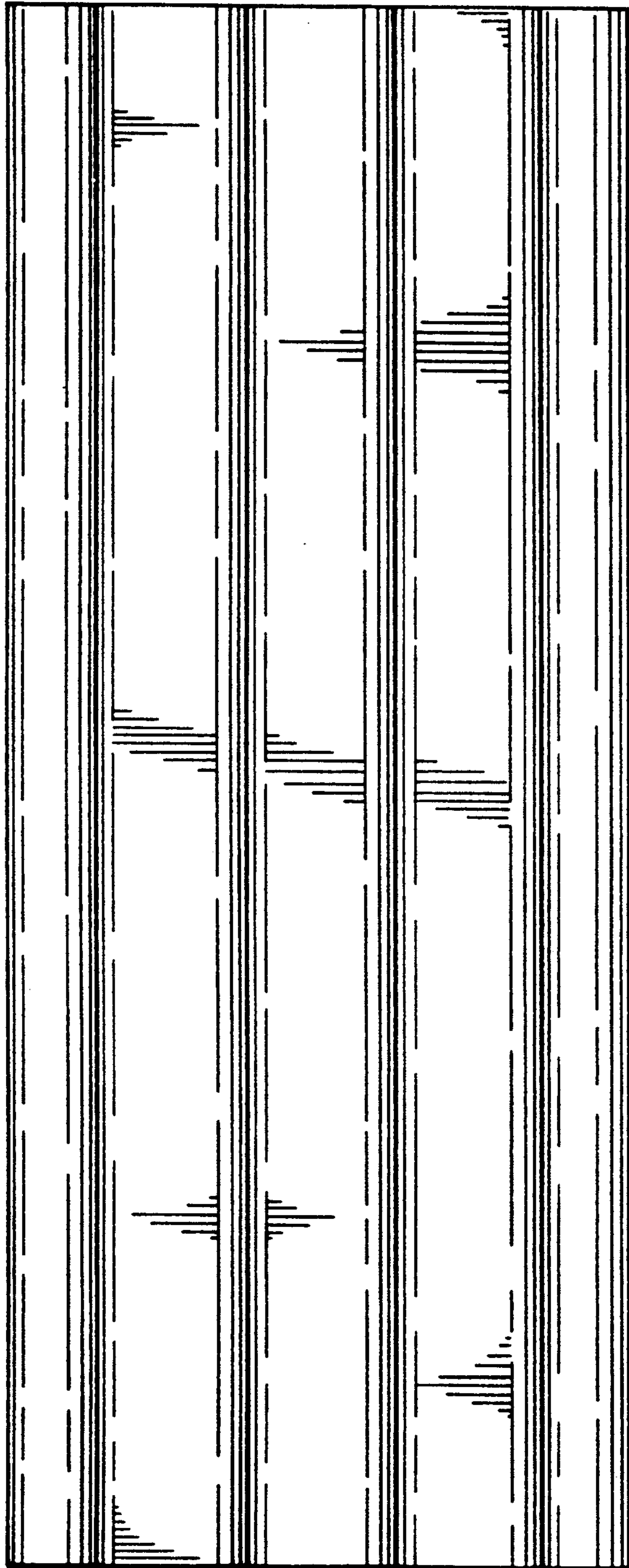


FIG. 4

